



US00D948672S

(12) **United States Design Patent**  
**Copeta et al.**

(10) **Patent No.:** **US D948,672 S**

(45) **Date of Patent:** **\*\* Apr. 12, 2022**

(54) **RACK AND PINION ACTUATOR**

(71) Applicant: **OMAL SpA**, Rodengo-Saiano (IT)

(72) Inventors: **Simone Copeta**, Rodengo-Saiano (IT);  
**Tanfoglio Gianpietro**, Rodengo-Saiano (IT)

(73) Assignee: **OMAL SPA**, Rodengo-Saiano (IT)

(\*\*) Term: **15 Years**

(21) Appl. No.: **29/736,187**

(22) Filed: **May 28, 2020**

(30) **Foreign Application Priority Data**

Apr. 29, 2020 (EM) ..... 007846753

(51) **LOC (13) Cl.** ..... **23-01**

(52) **U.S. Cl.**  
USPC ..... **D23/249**

(58) **Field of Classification Search**  
USPC ..... D23/233, 235, 249; D15/143, 199;  
D10/85, 96; D13/158  
CPC ..... F16K 1/221; F16K 31/16; F16K 31/1635;  
F15B 15/065; F15B 20/002  
See application file for complete search history.

(56) **References Cited**

**U.S. PATENT DOCUMENTS**

5,440,969 A \* 8/1995 Shin ..... F15B 15/06  
251/58  
5,954,088 A \* 9/1999 Huang ..... F16K 31/16  
137/315.21

D494,659 S \* 8/2004 Marinoni ..... D15/143  
D610,655 S \* 2/2010 Schmidt ..... D23/249  
D650,337 S \* 12/2011 Bonomi ..... D13/158  
2012/0211681 A1 \* 8/2012 Wang ..... F15B 15/065  
251/30.01  
2017/0146037 A1 \* 5/2017 Curtin ..... F15B 15/1447  
2018/0156245 A1 \* 6/2018 Modinger ..... F15B 15/202  
2018/0172032 A1 \* 6/2018 Modinger ..... F15B 15/065

\* cited by examiner

*Primary Examiner* — Selina Sikder

(74) *Attorney, Agent, or Firm* — Volpe Koenig

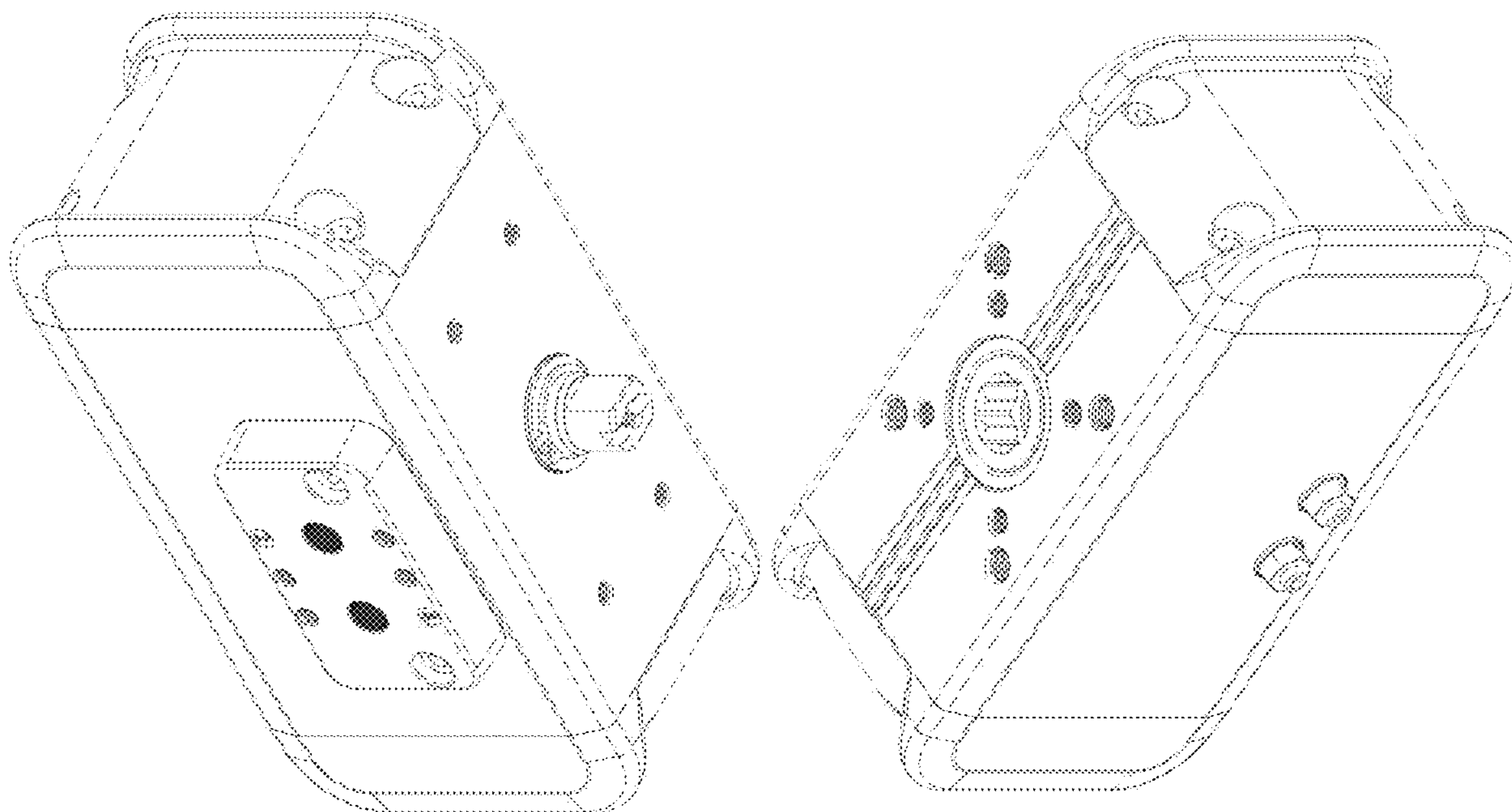
(57) **CLAIM**

The ornamental design for rack and pinion actuator, as shown and described.

**DESCRIPTION**

FIG. 1 is a front view of our design, the rear view being identical thereto;  
FIG. 2 is a right side view thereof;  
FIG. 3 is a left side view thereof;  
FIG. 4 is a top view thereof;  
FIG. 5 is a bottom view thereof;  
FIG. 6 is a top perspective view thereof; and  
FIG. 7 is a bottom perspective view thereof;  
FIG. 8 is a front view of a second embodiment of our design, the rear view being identical thereto;  
FIG. 9 is a right side view thereof;  
FIG. 10 is a left side view thereof;  
FIG. 11 is a top view thereof;  
FIG. 12 is a bottom view thereof;  
FIG. 13 is a top perspective view thereof; and,  
FIG. 14 is a bottom perspective view thereof.

**1 Claim, 14 Drawing Sheets**



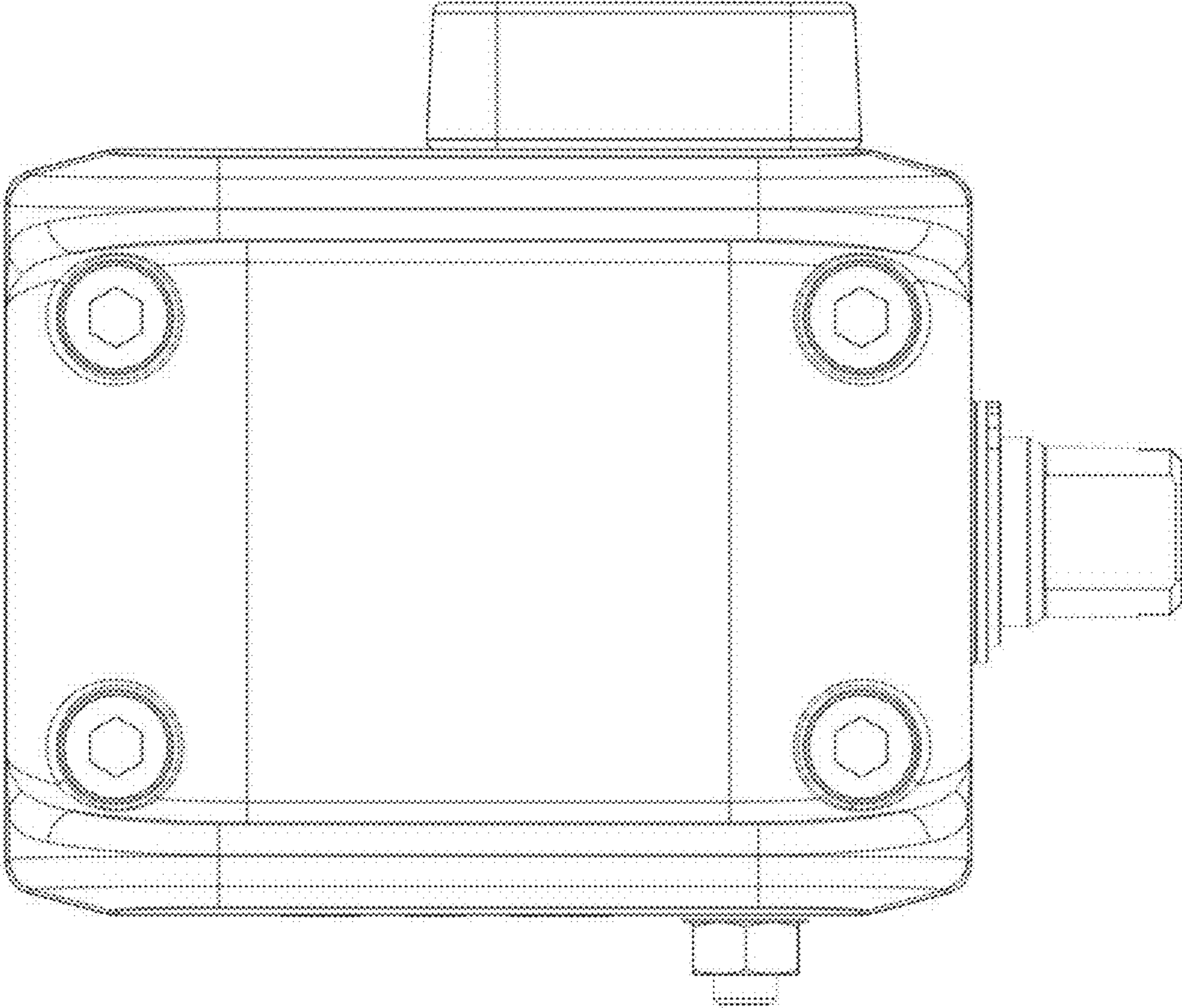


FIG. 1

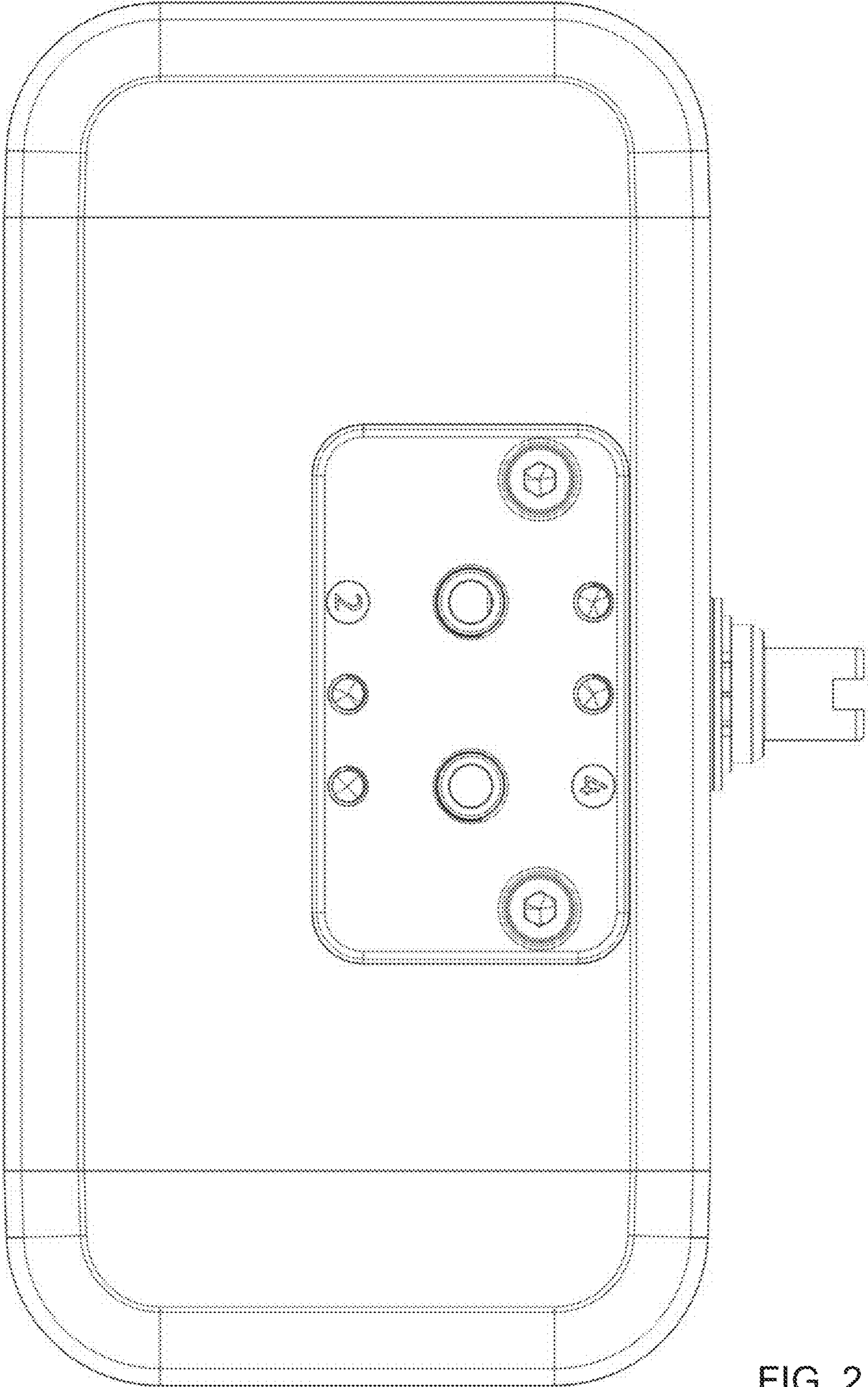


FIG. 2

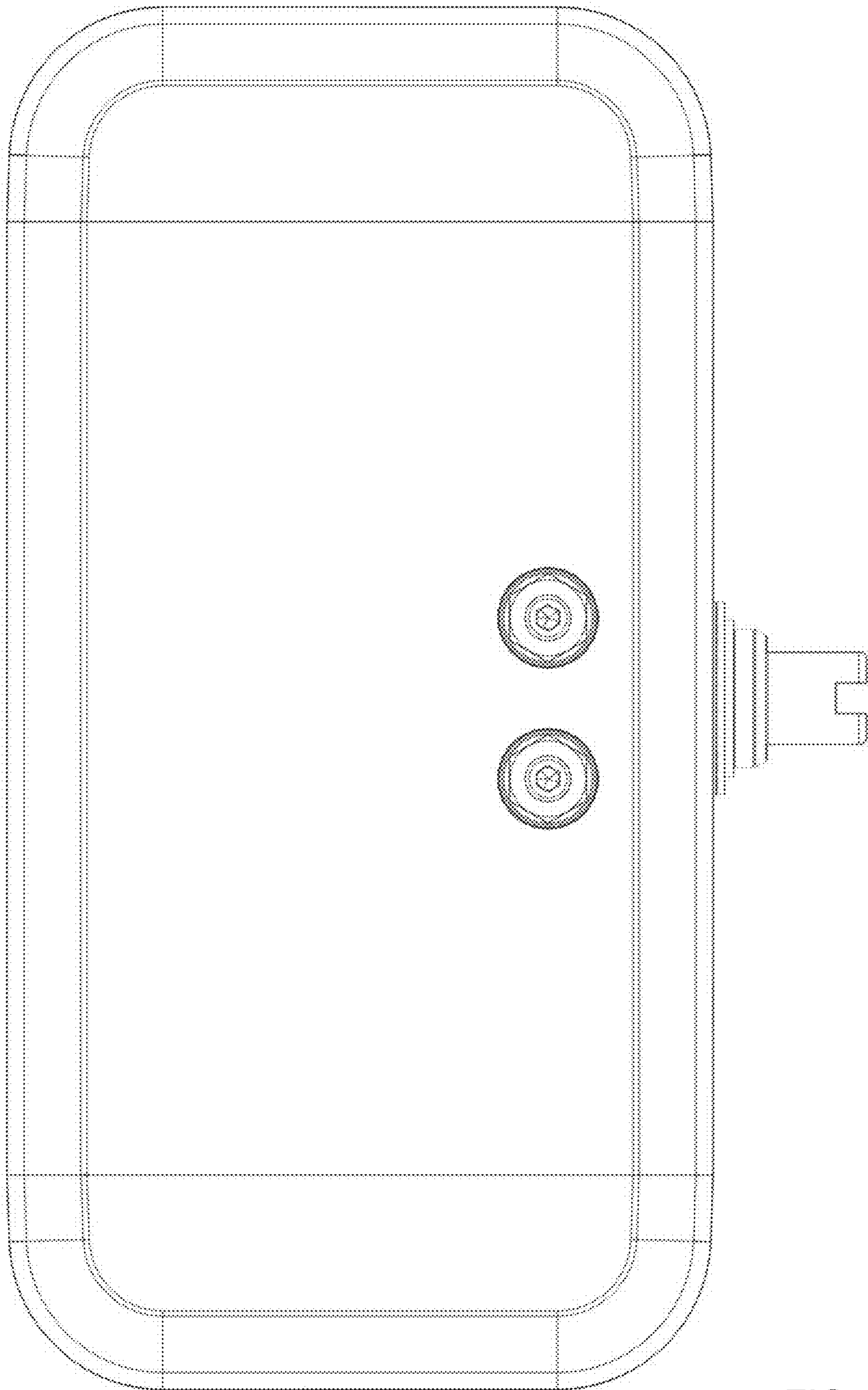


FIG. 3

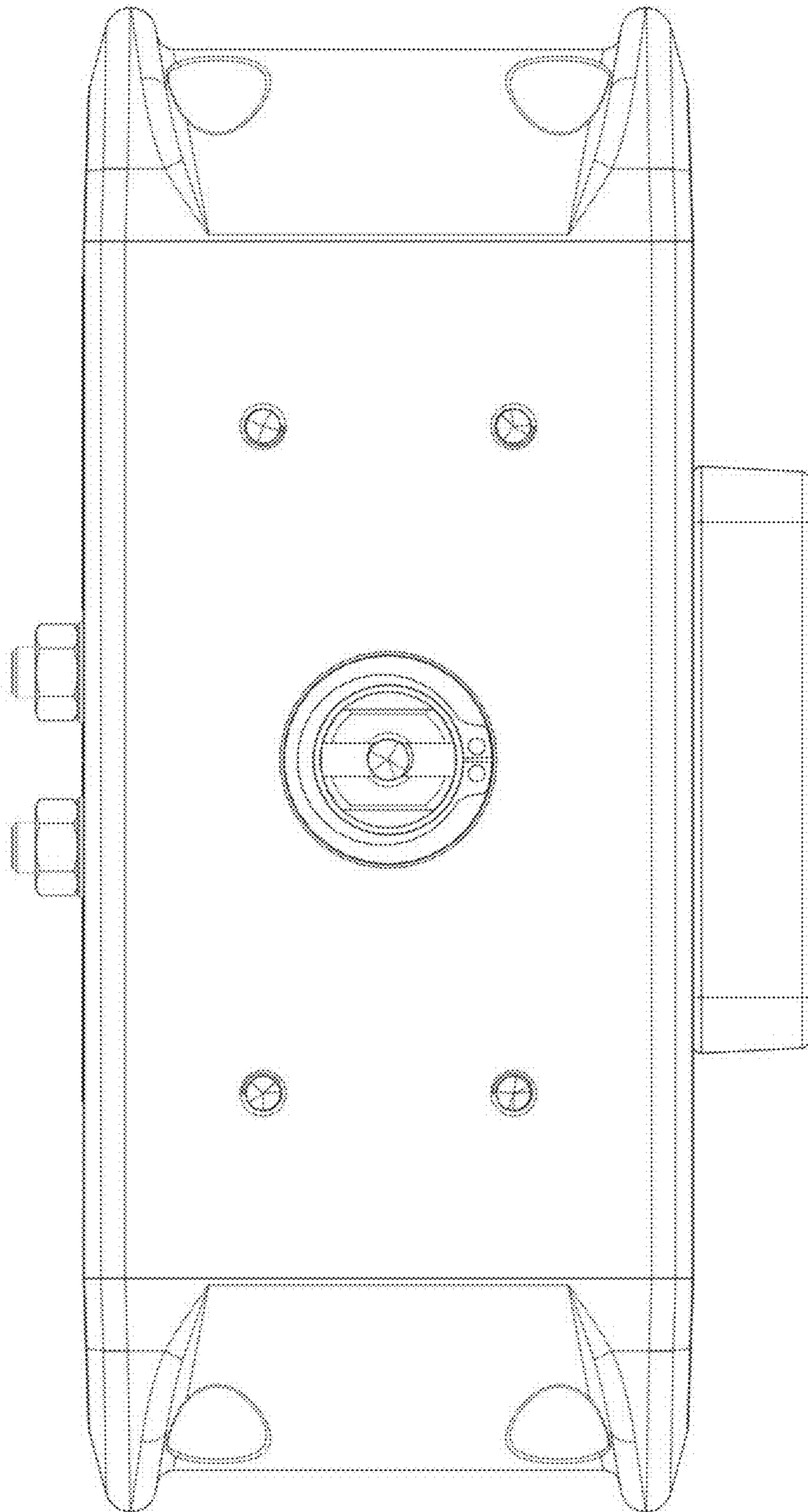


FIG. 4

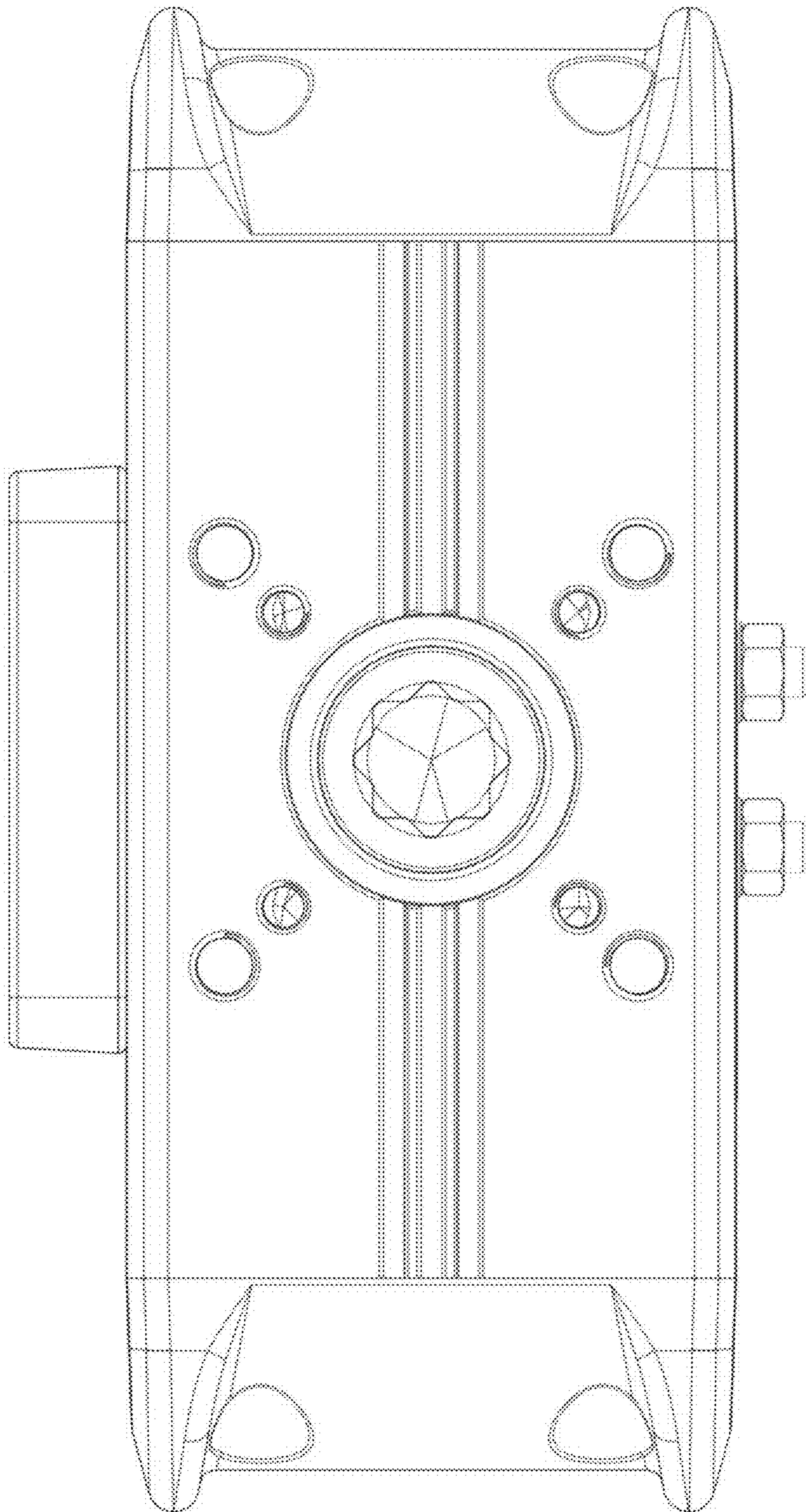


FIG. 5

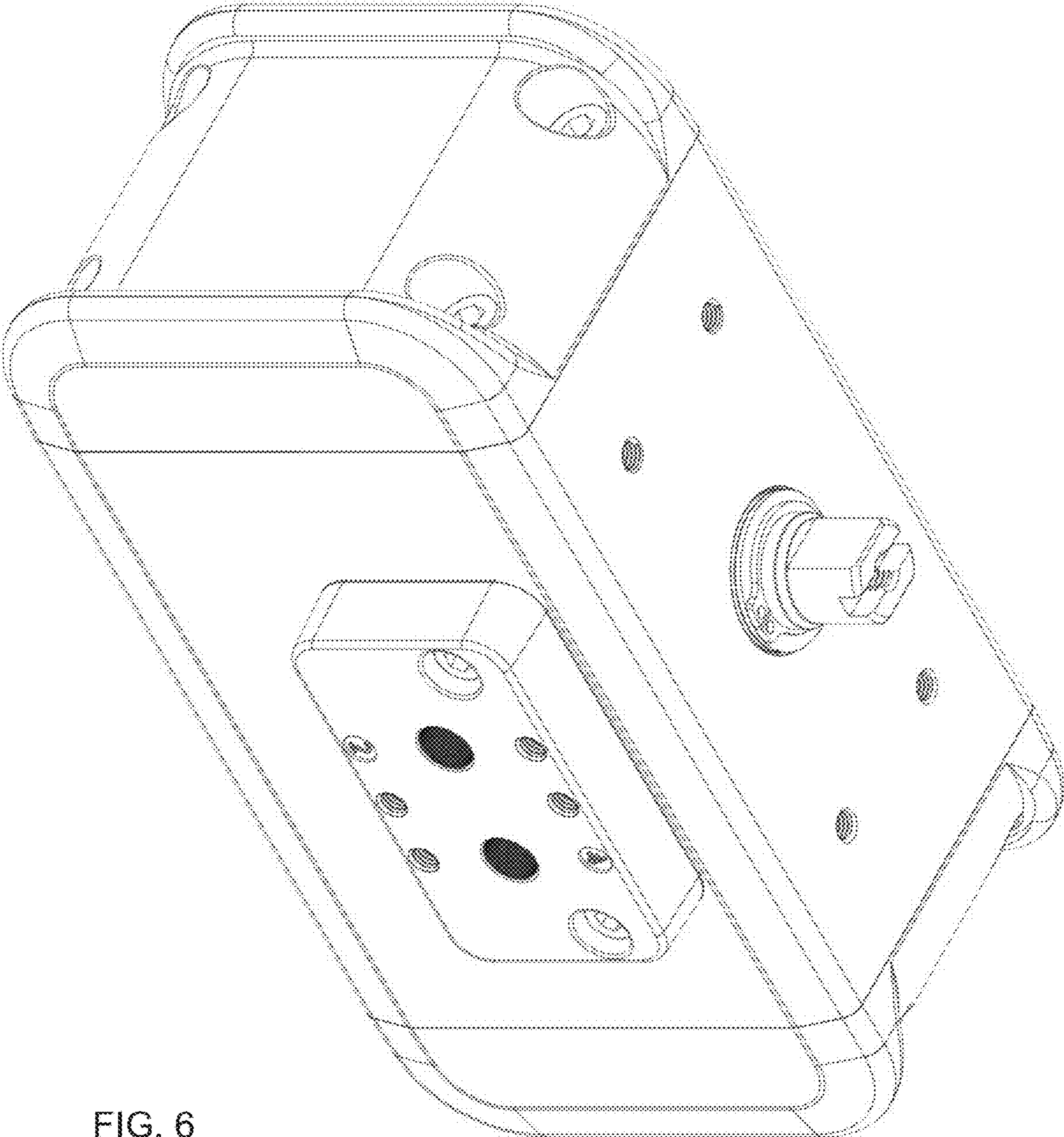


FIG. 6

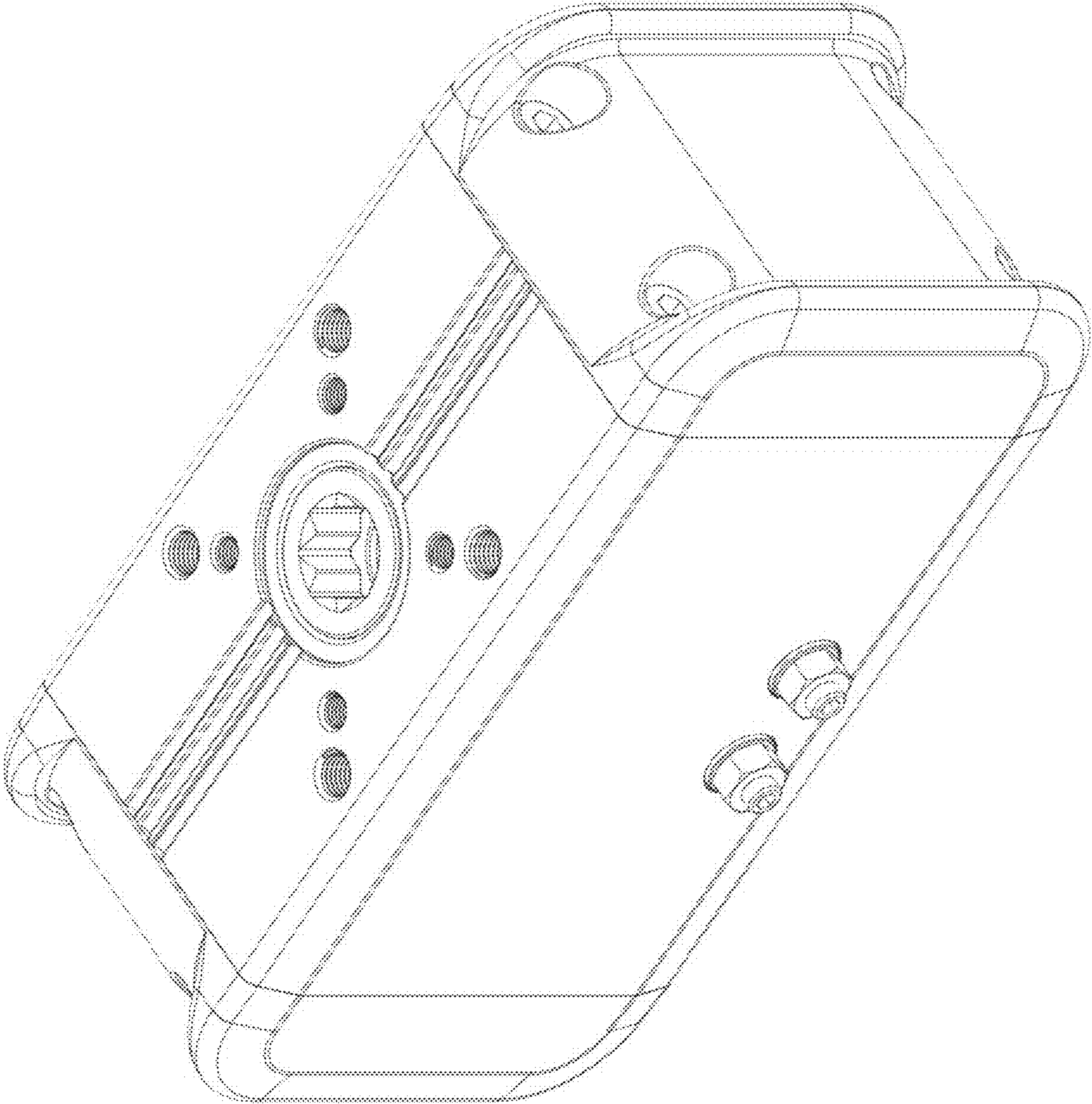


FIG. 7





FIG. 8

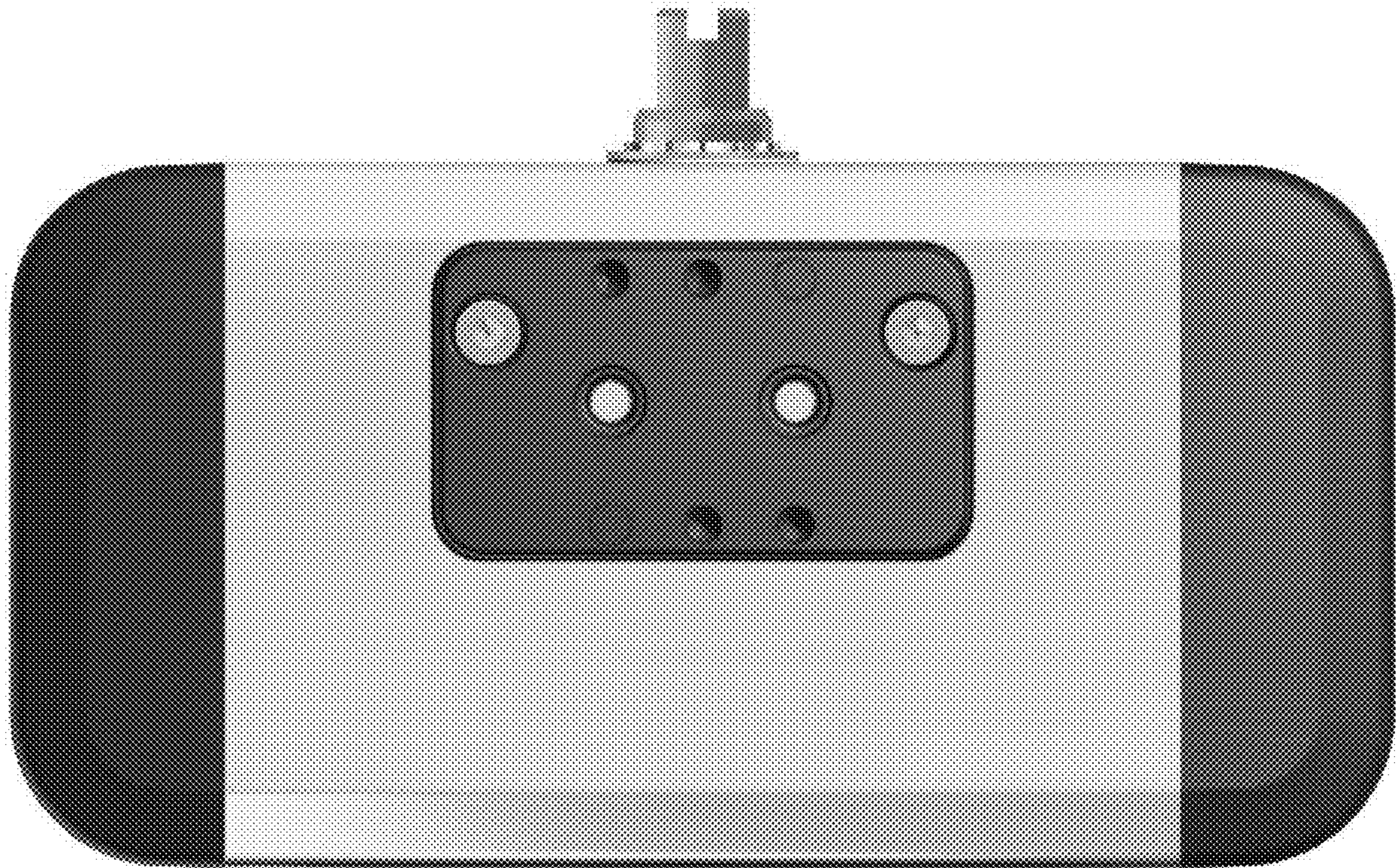


FIG. 9

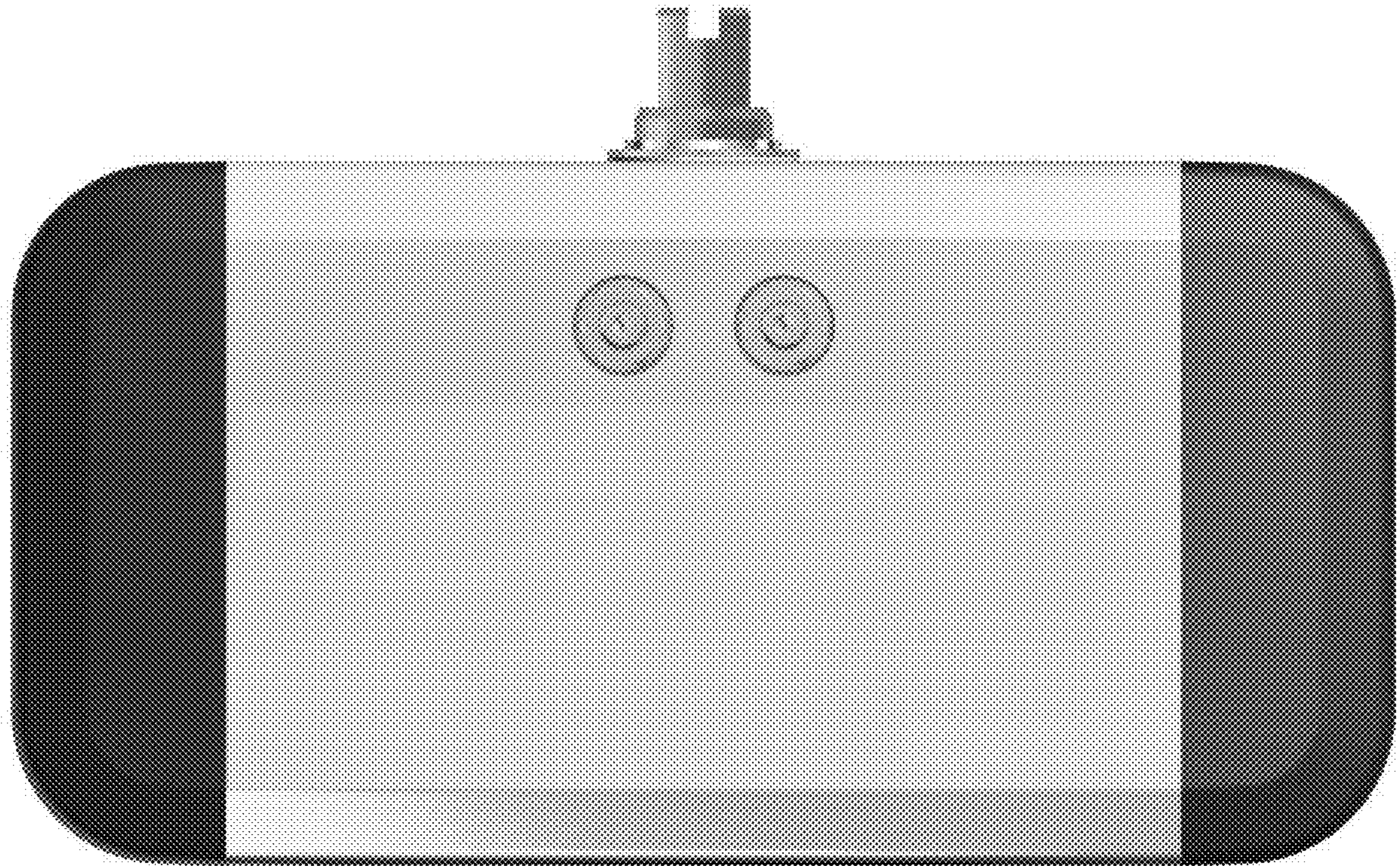


FIG. 10



FIG. 11

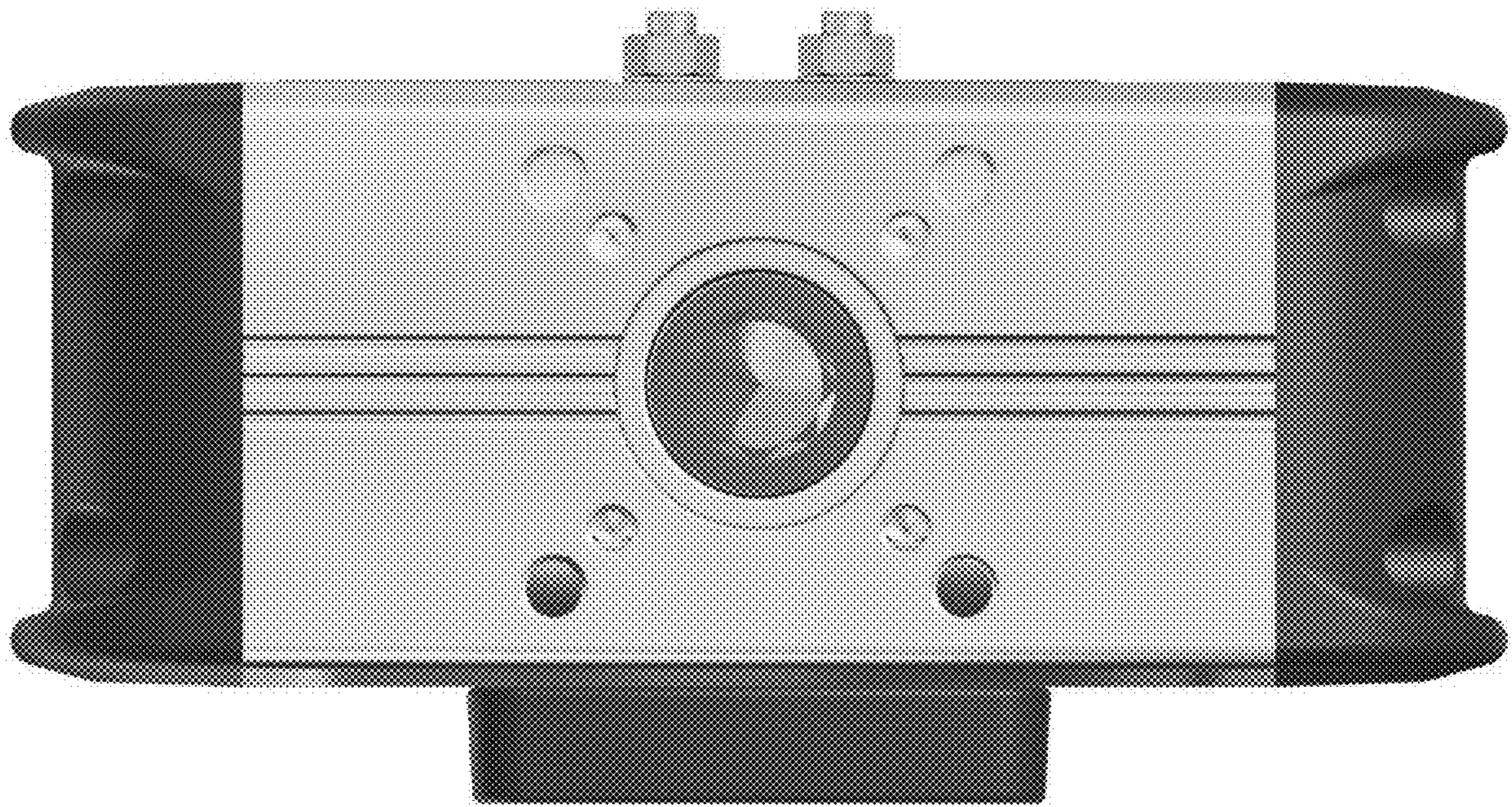


FIG. 12

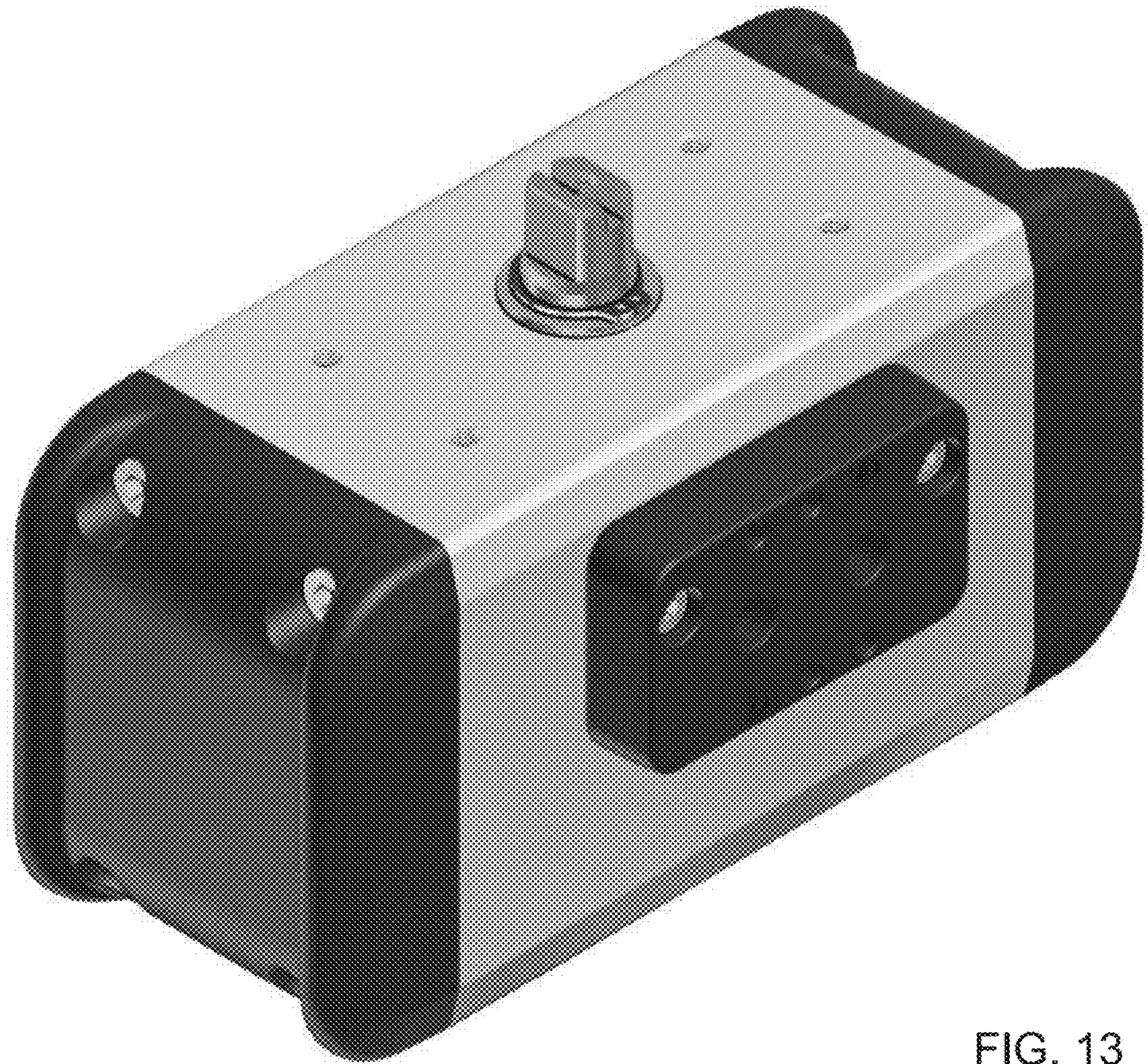


FIG. 13



FIG. 14