



US00D948671S

(12) **United States Design Patent**  
**Kuppert et al.**

(10) **Patent No.:** **US D948,671 S**

(45) **Date of Patent:** **\*\* Apr. 12, 2022**

(54) **FAUCET**

(71) Applicant: **Grohe AG**, Hemer (DE)

(72) Inventors: **Christoph Kuppert**, Cologne (DE);  
**Patrick de Arins Speck**, London (GB)

(73) Assignee: **Grohe AG**, Hemer (DE)

(\*\*) Term: **15 Years**

(21) Appl. No.: **29/757,246**

(22) Filed: **Nov. 4, 2020**

(30) **Foreign Application Priority Data**

May 4, 2020 (EM) ..... 007872783-0003

(51) **LOC (13) Cl.** ..... **23-01**

(52) **U.S. Cl.**  
USPC ..... **D23/238**

(58) **Field of Classification Search**  
USPC ..... D23/257, 249, 254, 259, 255, 233, 234,  
D23/235, 236, 237, 238, 240, 241, 242,  
D23/243, 244, 245, 246, 247, 248, 250,  
D23/251, 252, 253, 256  
CPC ..... E03C 1/01; E03C 1/0409; E03C 1/025;  
E03C 1/0408; E03C 1/04; E03C 1/0401;  
E03C 1/0402; E03C 1/0405; E03C  
1/0412; Y10T 137/5339; Y10T 137/6014;  
Y10T 137/6021  
See application file for complete search history.

(56) **References Cited**

**U.S. PATENT DOCUMENTS**

D412,969 S \* 8/1999 Brattoli ..... D23/255  
D529,131 S \* 9/2006 Haug ..... D23/238  
D529,991 S \* 10/2006 Egli ..... D23/238  
D540,913 S \* 4/2007 Haug ..... D23/238  
D541,381 S \* 4/2007 Haug ..... D23/238  
D643,909 S \* 8/2011 Flowers ..... D23/238

D646,357 S \* 10/2011 Flowers ..... D23/238  
D755,930 S \* 5/2016 Flowers ..... D23/238  
D759,204 S \* 6/2016 Garland ..... D23/238  
D812,193 S \* 3/2018 Seum ..... D23/238  
D816,802 S \* 5/2018 Tsai ..... D23/238

**FOREIGN PATENT DOCUMENTS**

CN 201630513761 \* 10/2016

**OTHER PUBLICATIONS**

Amazon, Appaso RV Kitchen Faucet Low Arc with Pull Out Sprayer, posted Sep. 3, 2021, [online], [visited Dec. 9, 2021]. Internet, <URL: <https://www.amazon.com/dp/B095NR3HYS/ref>> (Year: 2021).\*

(Continued)

*Primary Examiner* — Samantha Wood

(74) *Attorney, Agent, or Firm* — Muncy, Geissler, Olds & Lowe, P.C.

(57) **CLAIM**

The ornamental design for a faucet, as shown and described.

**DESCRIPTION**

FIG. 1 is a front perspective view of a faucet according to the present invention.

FIG. 2 is a front view of the faucet of FIG. 1.

FIG. 3 is a rear view of the faucet of FIG. 1.

FIG. 4 is a left side view of the faucet of FIG. 1.

FIG. 5 is a right side view of the faucet of FIG. 1.

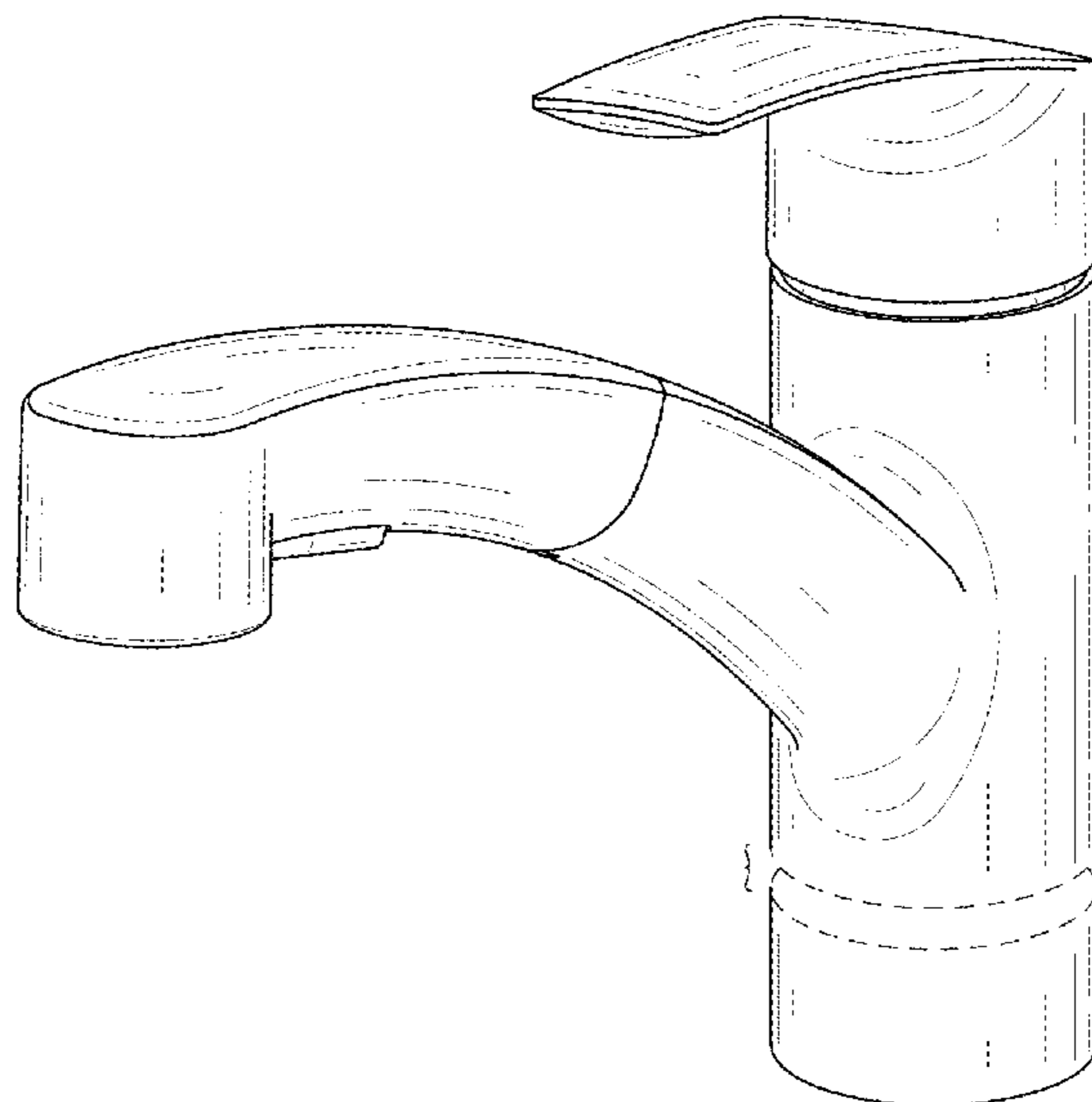
FIG. 6 is a top view of the faucet of FIG. 1; and,

FIG. 7 is a bottom view of the faucet of FIG. 1.

The dashed lines illustrate environment that does not form a part of the present invention, and no claim is made to the material illustrated with dashed lines.

The faucet is shown with symbolic breaks in its length. The appearance of any portion of the article between the break lines forms no part of the claimed design.

**1 Claim, 7 Drawing Sheets**



(56)

**References Cited**

OTHER PUBLICATIONS

Amazon, Delta Faucet Collins Single Handle Kitchen Faucet with Pull Out Sprayer, posted Oct. 14, 2016, [online], [visited Dec. 9, 2021]. Internet, <URL: <https://www.amazon.com/Collins-Single-Handle-Kitchen-Magnetic-4140-DST/dp/B01MXMWKGW>> (Year: 2016).\*

Amazon, Moen Integra One-Handle Pullout Kitchen Faucet, posted Jul. 29, 2007, [online], [visited 12/096/2021]. Internet, <URL: <https://www.amazon.com/Moen-67315C-Integra-One-Handle-Pullout/dp/B000UG1ONQ/ref?th=1>> (Year: 2007).\*

Amazon, Grohe Eurosmart Pull-Out Single lever Kitchen Tap, posted Oct. 28, 2016, [online], [visited Dec. 9, 2021]. Internet, <URL: <https://www.amazon.co.uk/GROHE-30305000-Eurosmart-Pull-Out-Single-Lever/dp/B01LXBTG9D/ref>> (Year: 2016).\*

\* cited by examiner

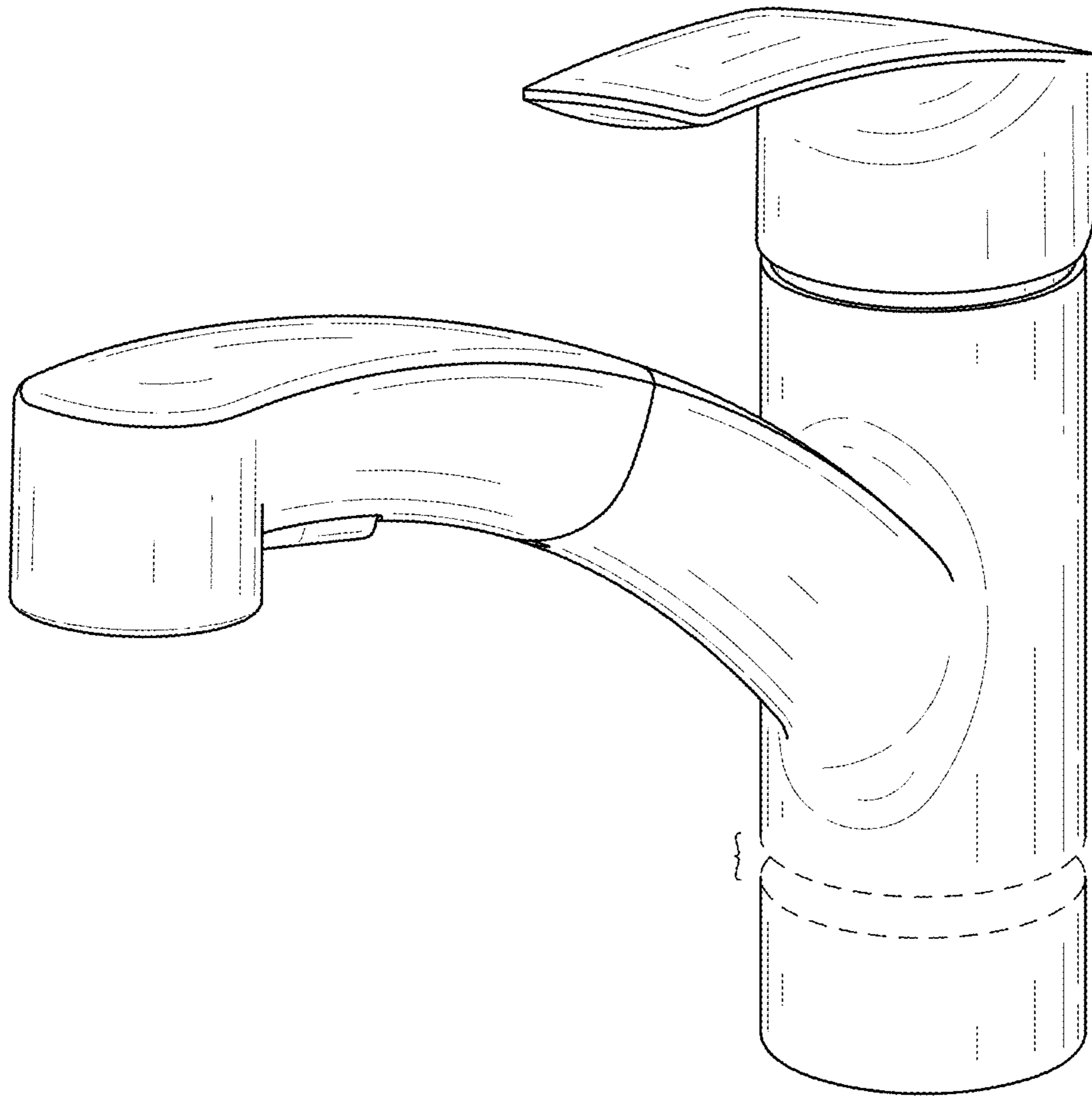


FIG. 1

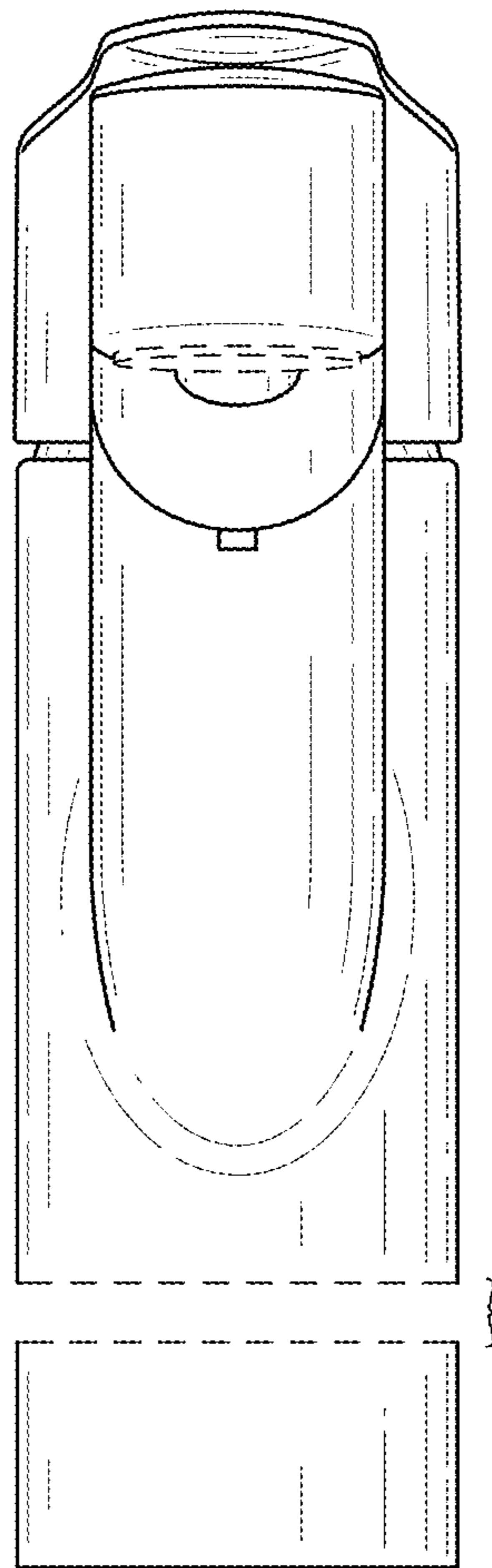


FIG.2

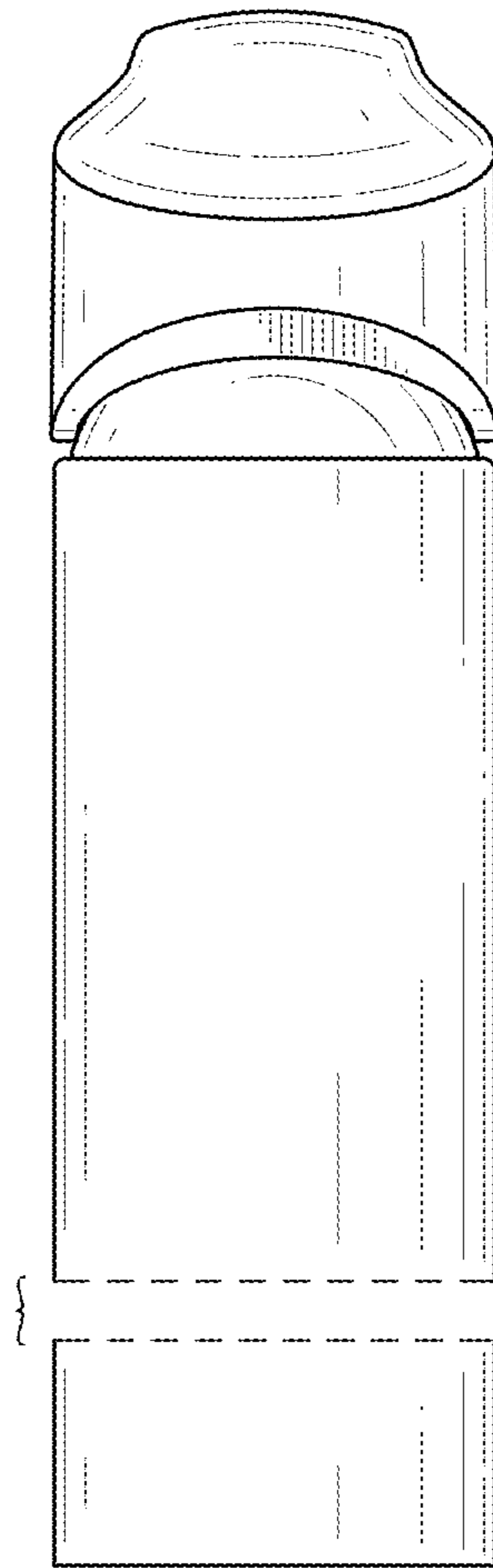


FIG.3

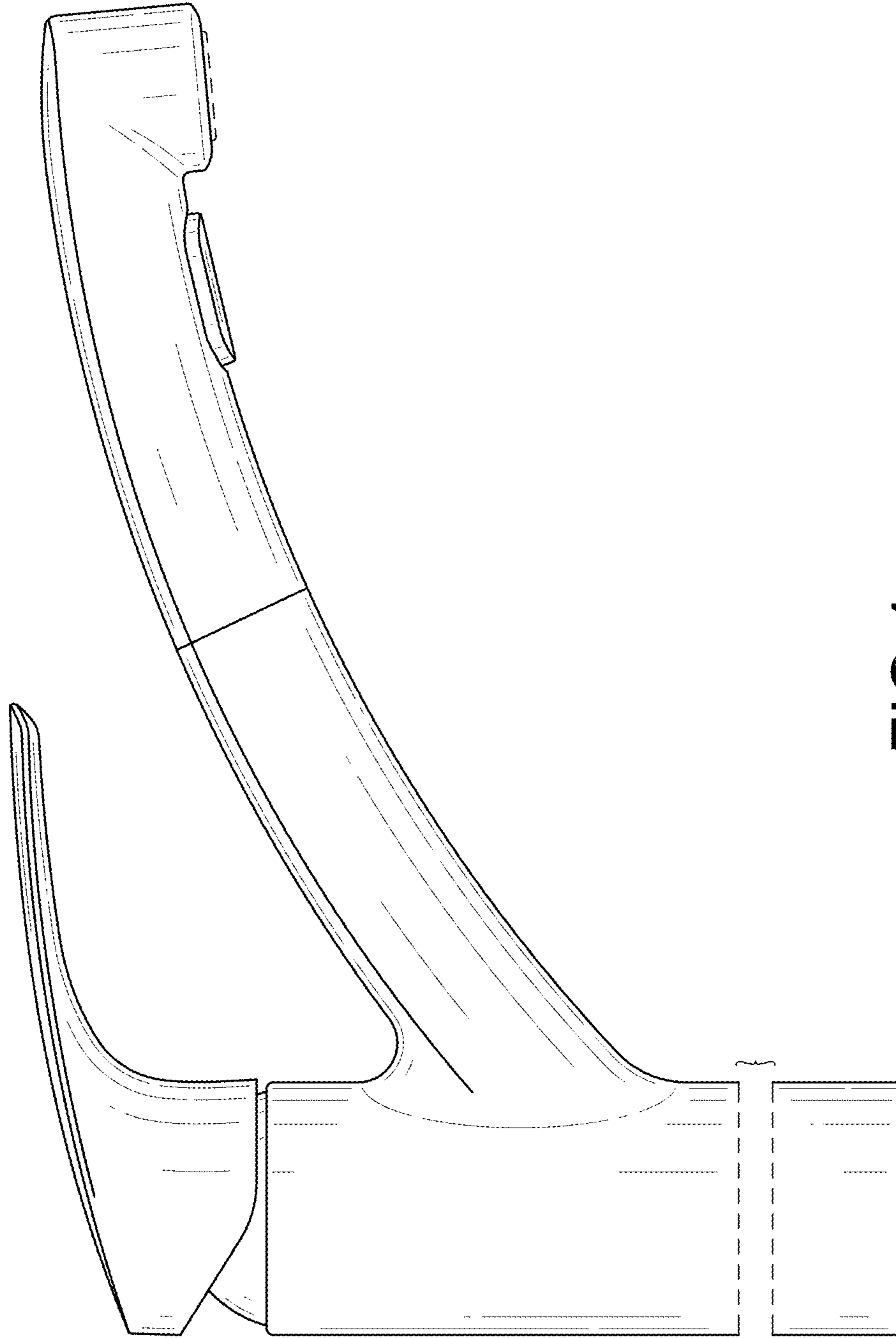


FIG. 4

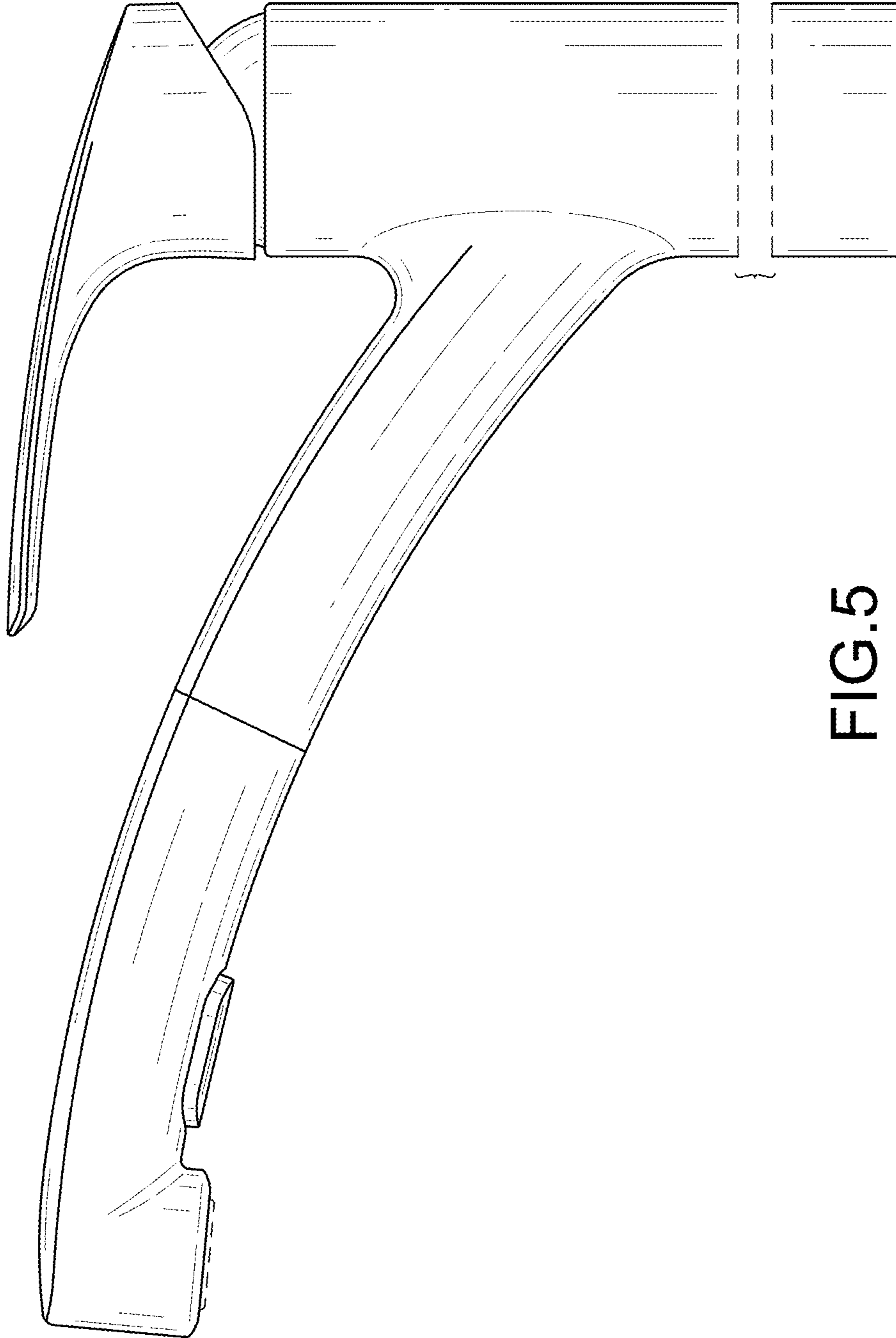


FIG.5

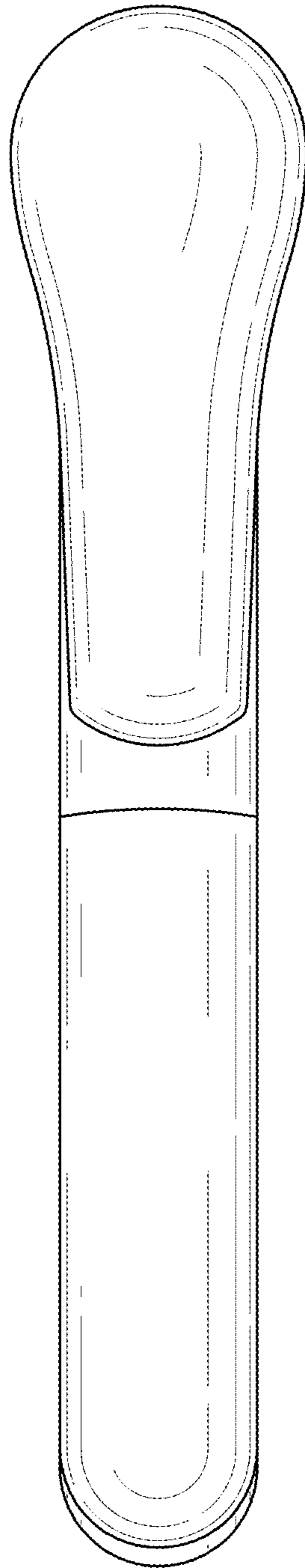


FIG.6



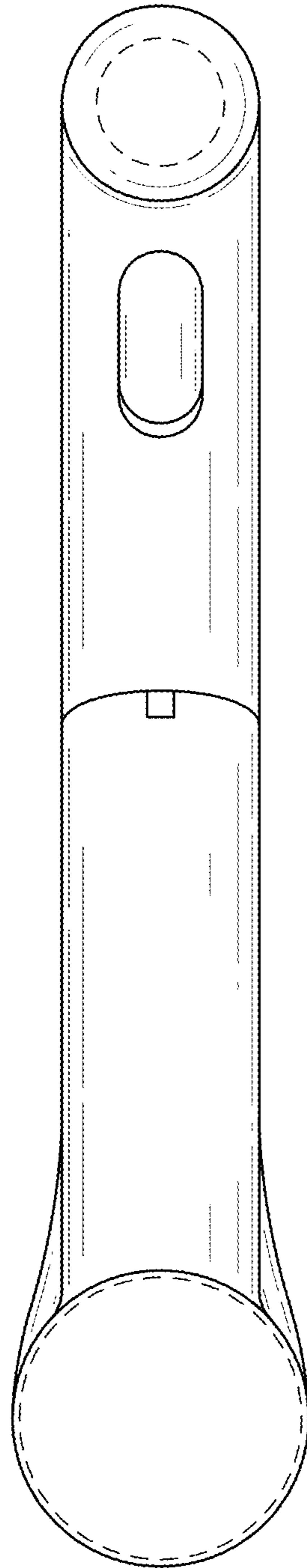


FIG.7