

US00D948669S

(12) **United States Design Patent** (10) **Patent No.:** **US D948,669 S**
Para (45) **Date of Patent:** **** Apr. 12, 2022**

(54) **FAUCET**
(71) Applicant: **DELTA FAUCET COMPANY,**
Indianapolis, IN (US)
(72) Inventor: **Lauren Para,** Lisle, IL (US)
(73) Assignee: **DELTA FAUCET COMPANY,**
Indianapolis, IN (US)
(**) Term: **15 Years**
(21) Appl. No.: **29/733,745**
(22) Filed: **May 6, 2020**
(51) **LOC (13) Cl.** **23-01**
(52) **U.S. Cl.**
USPC **D23/238**
(58) **Field of Classification Search**
USPC D23/257, 249, 254, 259, 255, 233, 234,
D23/235, 236, 237, 238, 240, 241, 242,
D23/243, 244, 245, 246, 247, 248, 250,
D23/251, 252, 253, 256
CPC E03C 1/01; E03C 1/0409; E03C 1/025;
E03C 1/0408; E03C 1/04; E03C 1/0401;
E03C 1/0402; E03C 1/0405; E03C
1/0412; Y10T 137/5339; Y10T 137/6014;
Y10T 137/6021
See application file for complete search history.

D683,823 S * 6/2013 Kwok D23/238
D718,420 S * 11/2014 Rexach D23/238
D757,904 S * 5/2016 Rexach D23/238
D862,654 S * 10/2019 Zeng D23/240
D868,939 S * 12/2019 Bahler D23/238

OTHER PUBLICATIONS

Amazon, asdfg Professional Sink Mixer Tap Kitchen, posted Sep. 28, 2017, [online], [visited Sep. 2, 2021]. Internet, <URL: https://www.amazon.co.uk/Professional-Kitchen-Rotation-Standard-Fittings/dp/B075ZT6GPD/ref> (Year: 2017).*
Amazon, Arputhy Kitchen Tap Pull Down, posted Jun. 8, 2018, [online], [visited Sep. 3, 2021]. Internet, <URL: https://www.amazon.co.uk/Arputhy-Kitchen-Faucet-Stainless-Single/dp/B07DMD6CZH/ref> (Year: 2018).*

* cited by examiner

Primary Examiner — Sheryl Lane
Assistant Examiner — Samantha N Wood
(74) *Attorney, Agent, or Firm* — Nirav D. Parikh; Edgar A. Zarins

(57) **CLAIM**

The ornamental design for a faucet, as shown and described.

DESCRIPTION

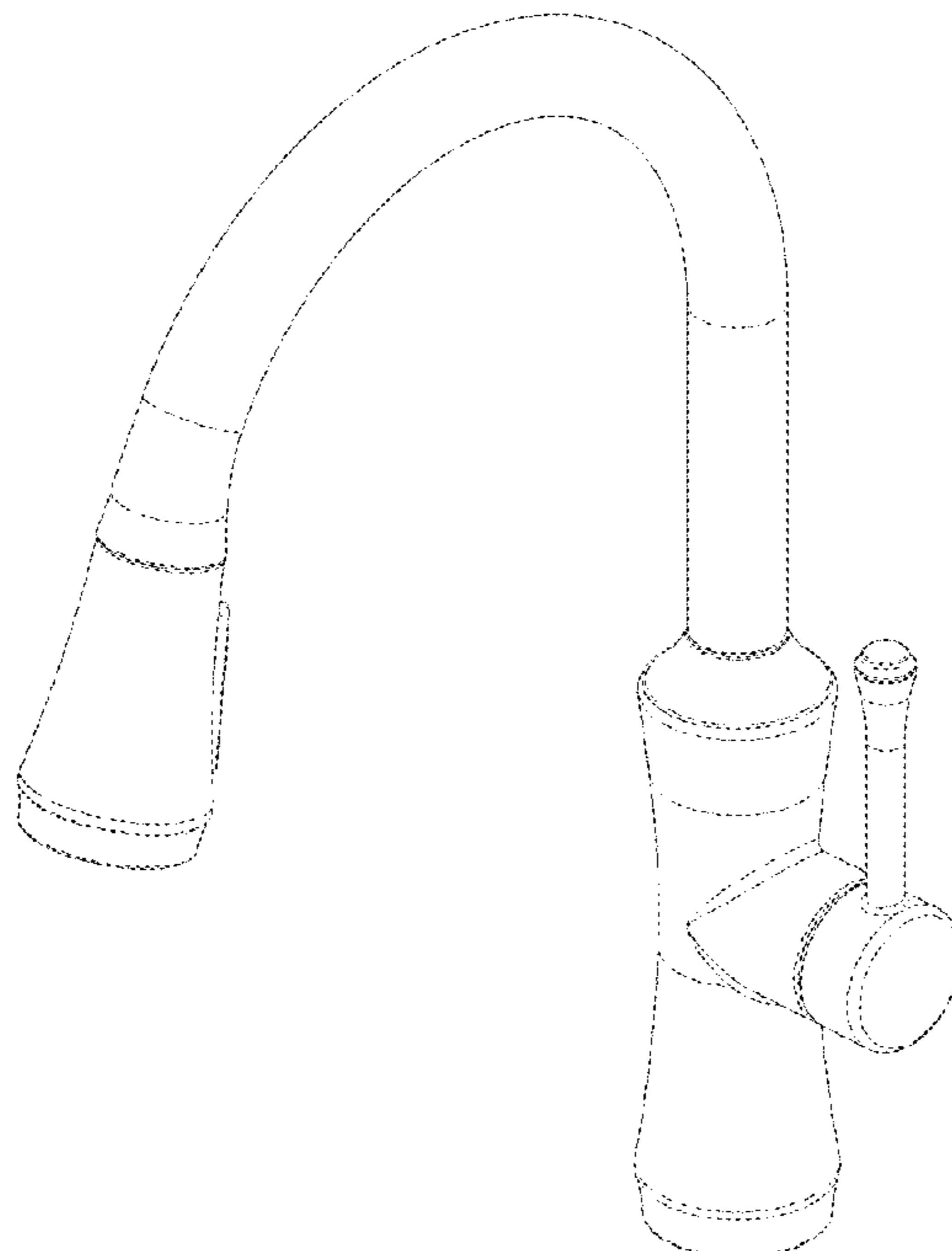
FIG. 1 is a front perspective view of a faucet showing my new design;
FIG. 2 is a rear perspective view thereof;
FIG. 3 is a front elevational view thereof;
FIG. 4 is a left side view thereof;
FIG. 5 is a rear view thereof;
FIG. 6 is a right side view thereof;
FIG. 7 is a top plan view thereof; and,
FIG. 8 is a bottom view thereof.

1 Claim, 4 Drawing Sheets

(56) **References Cited**

U.S. PATENT DOCUMENTS

D534,246 S * 12/2006 Chu D23/238
D534,990 S * 1/2007 Zhou D23/238
D535,357 S * 1/2007 Zhou D23/238
D535,724 S * 1/2007 Zhou D23/238
D566,818 S * 4/2008 Kohler, Jr D23/255



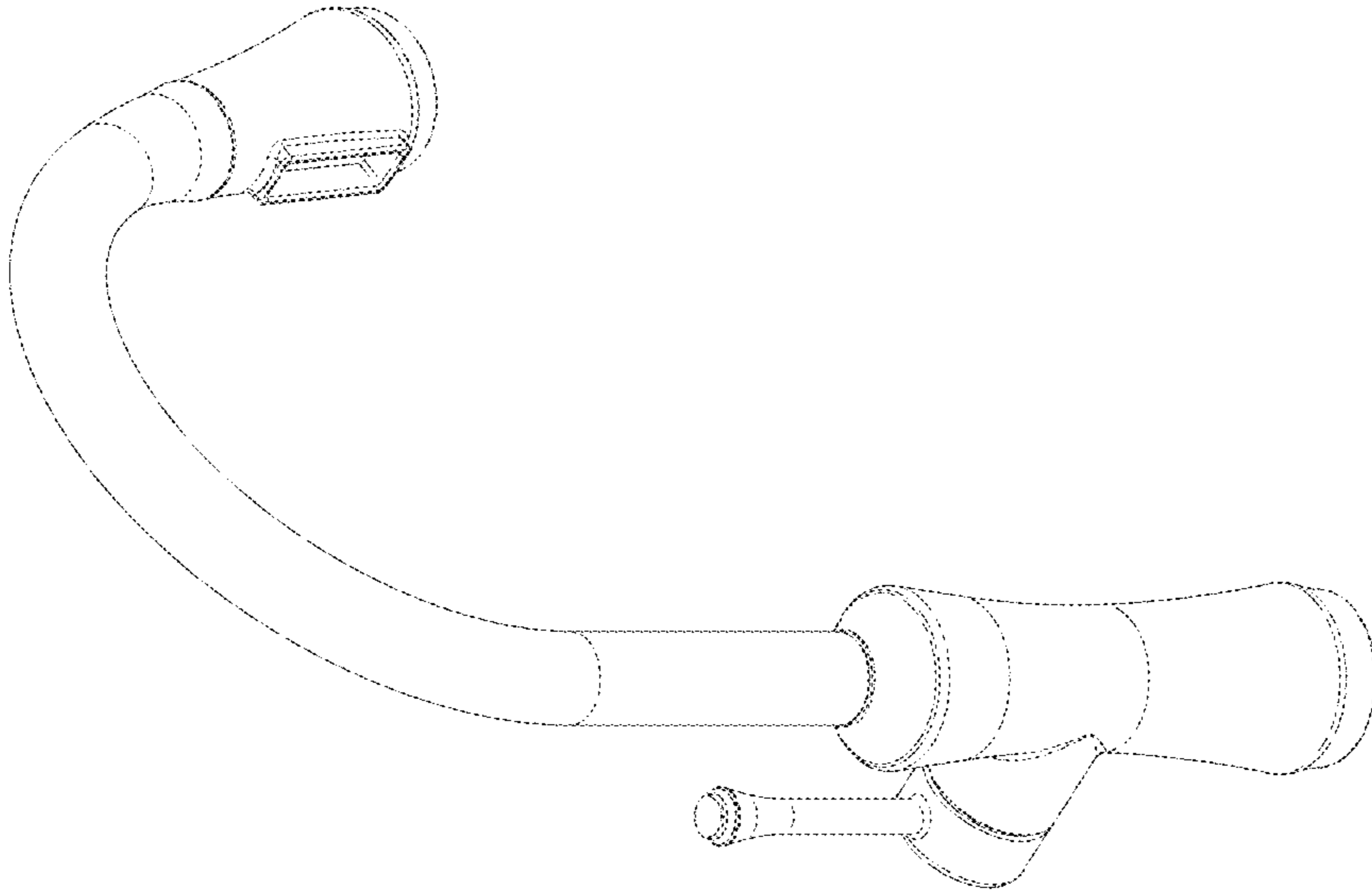


Fig. 2

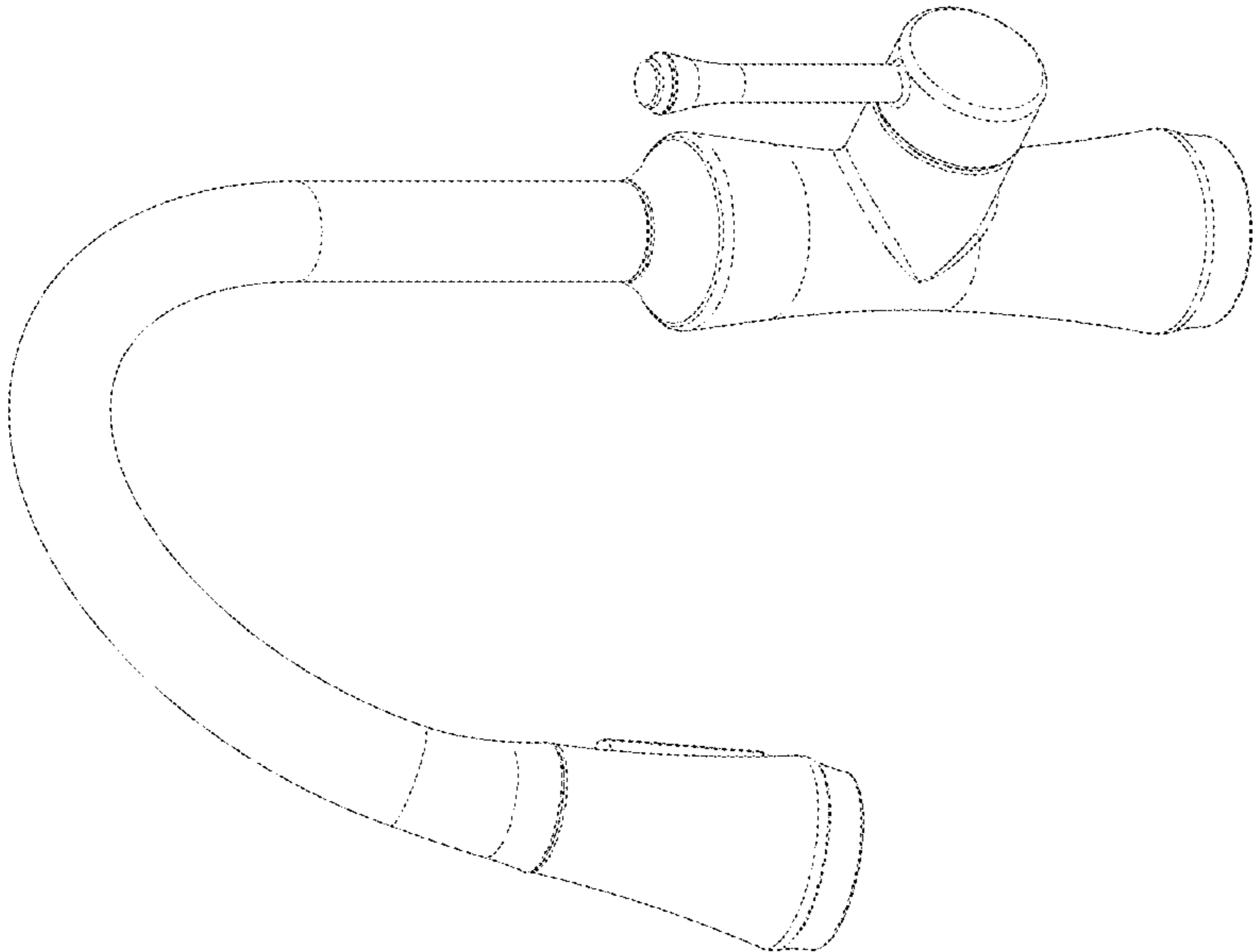


Fig. 1

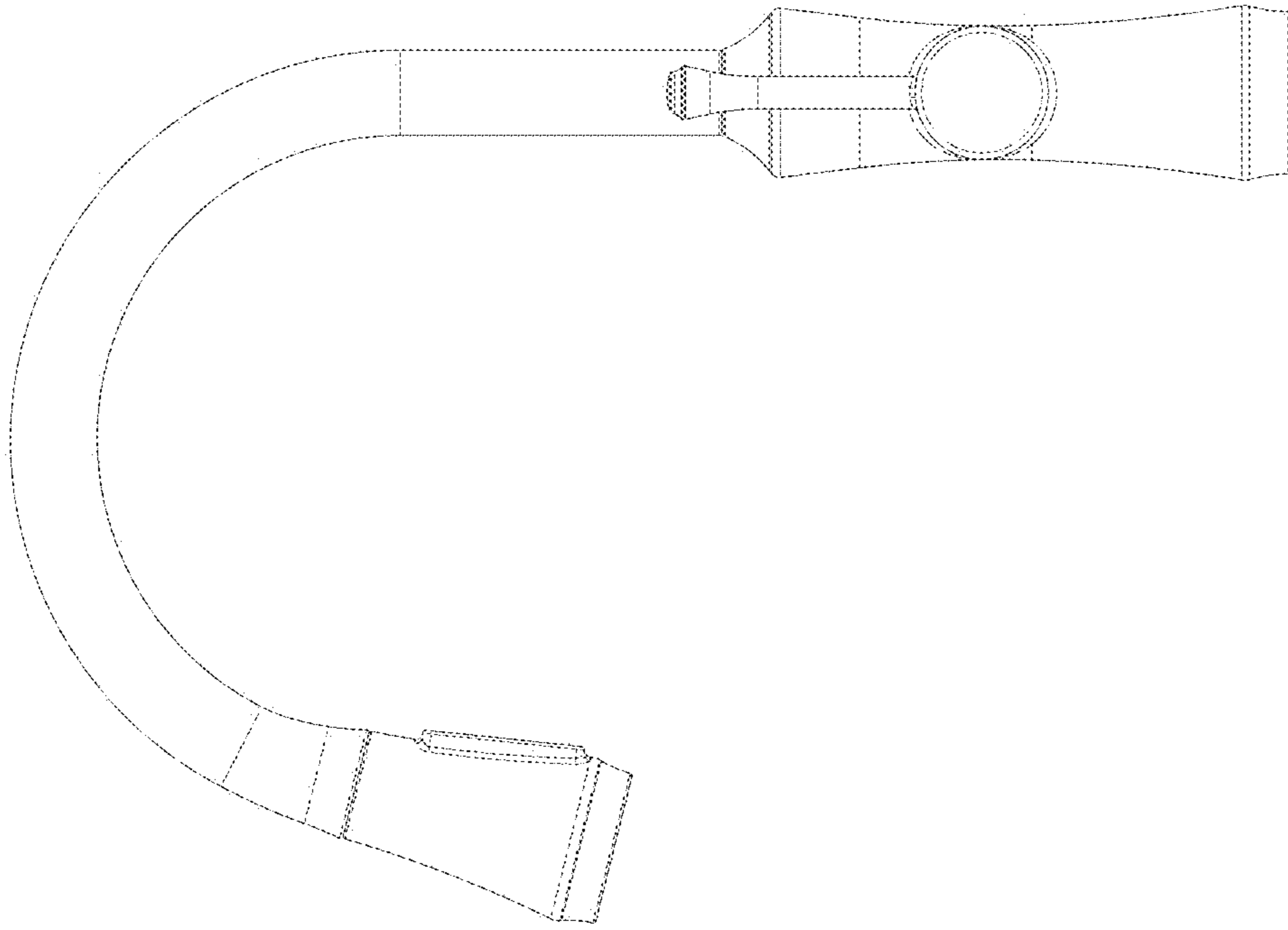


Fig. 4

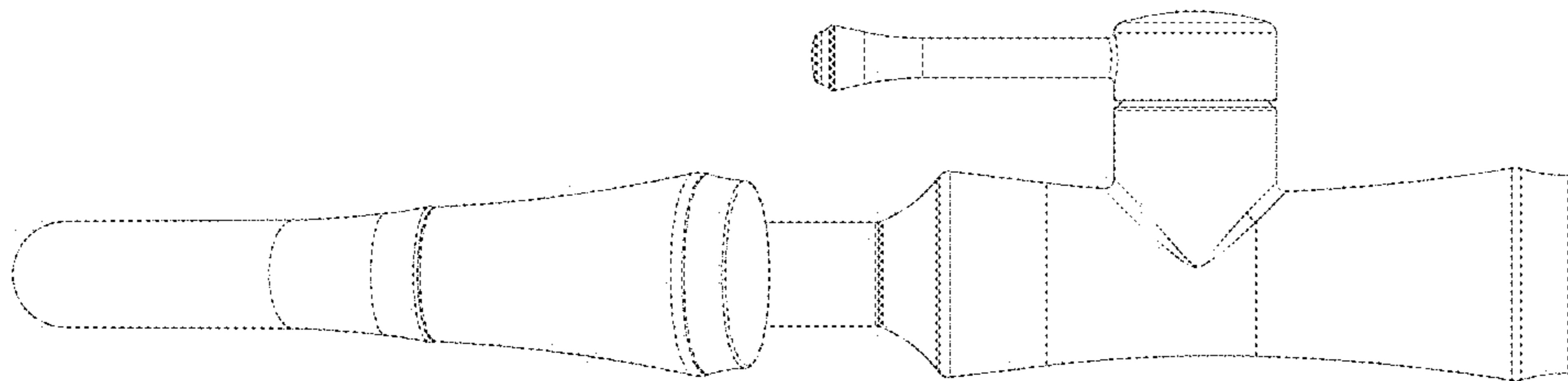


Fig. 3

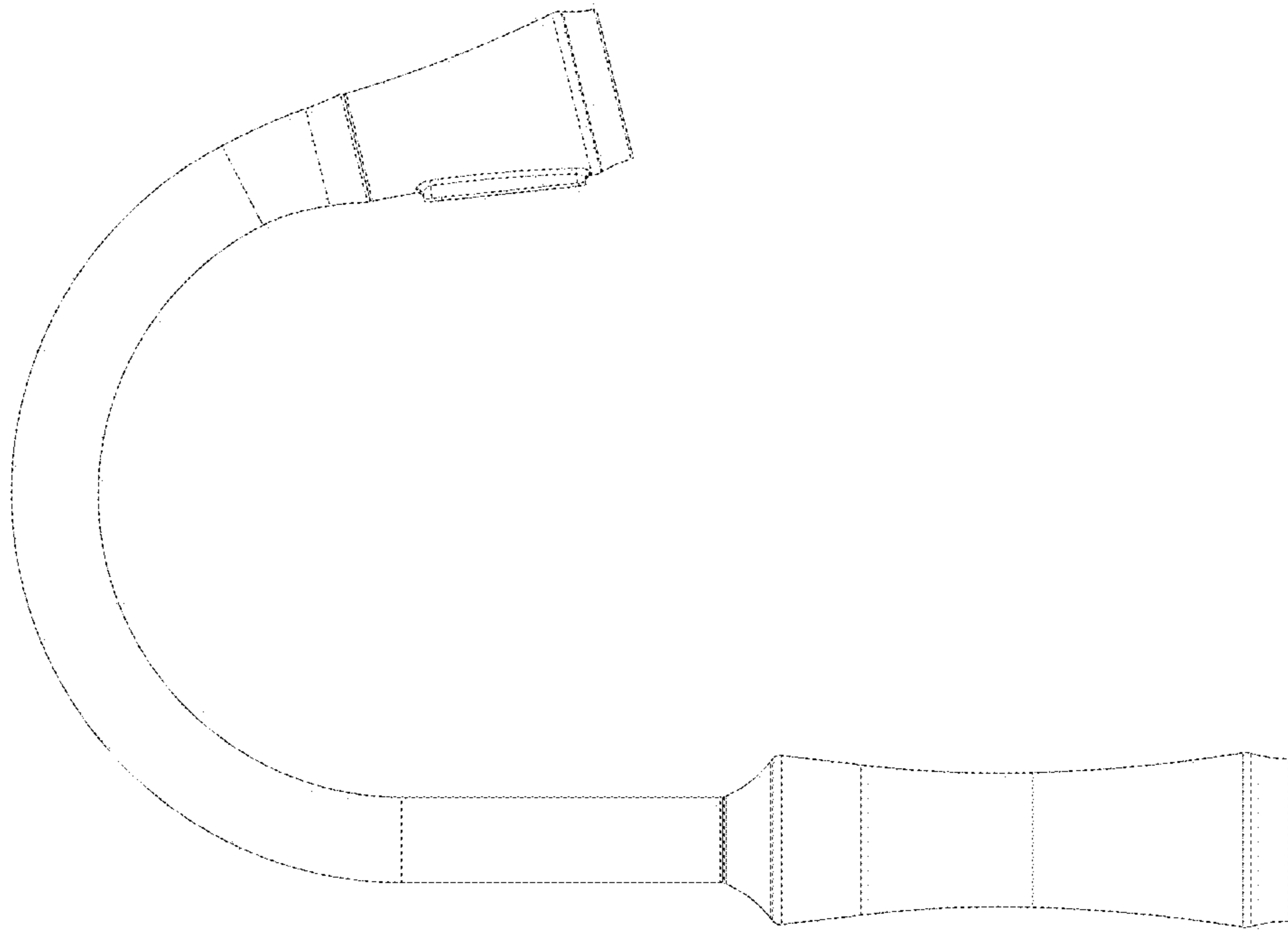


Fig. 6

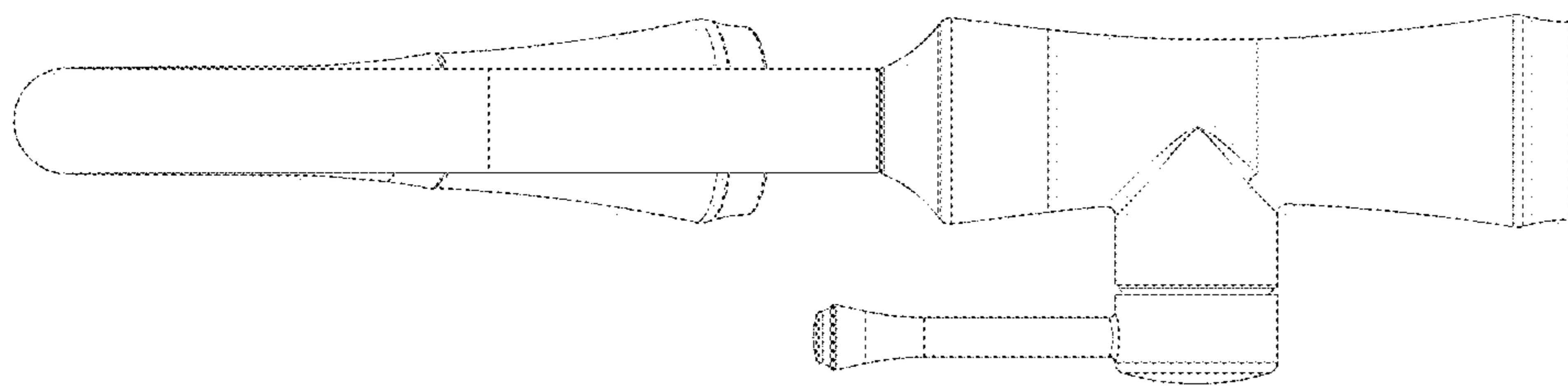


Fig. 5



Fig. 8



Fig. 7