



US00D948668S

(12) **United States Design Patent** (10) **Patent No.:** **US D948,668 S**  
**Garland** (45) **Date of Patent:** **\*\* Apr. 12, 2022**

(54) **FAUCET**

(71) Applicant: **DELTA FAUCET COMPANY,**  
Indianapolis, IN (US)

(72) Inventor: **Celine Kwok Garland,** Zionsville, IN  
(US)

(73) Assignee: **DELTA FAUCET COMPANY,**  
Indianapolis, IN (US)

(\*\*) Term: **15 Years**

(21) Appl. No.: **29/733,189**

(22) Filed: **Apr. 30, 2020**

(51) **LOC (13) Cl.** ..... **23-01**

(52) **U.S. Cl.**  
USPC ..... **D23/238**

(58) **Field of Classification Search**  
USPC ..... D23/257, 249, 254, 259, 255, 233, 234,  
D23/235, 236, 237, 238, 240, 241, 242,  
D23/243, 244, 245, 246, 247, 248, 250,  
D23/251, 252, 253, 256  
CPC ..... E03C 1/01; E03C 1/0409; E03C 1/025;  
E03C 1/0408; E03C 1/04; E03C 1/0401;  
E03C 1/0402; E03C 1/0405; E03C  
1/0412; Y10T 137/5339; Y10T 137/6014;  
Y10T 137/6021

See application file for complete search history.

(56) **References Cited**

**U.S. PATENT DOCUMENTS**

D517,652 S \* 3/2006 Egli ..... D23/238  
D611,124 S \* 3/2010 Schoenherr ..... D23/238  
D786,405 S \* 5/2017 Schaubach ..... D23/238  
D810,875 S \* 2/2018 Bahler ..... D23/238  
D840,509 S \* 2/2019 Garland ..... D23/238

D840,511 S \* 2/2019 Garland ..... D23/242  
D840,514 S \* 2/2019 Garland ..... D23/255  
2016/0145840 A1\* 5/2016 de Swarte ..... E03C 1/0412  
137/625.4

**FOREIGN PATENT DOCUMENTS**

CN 200530112334 \* 6/2005  
CN 201730052280 \* 2/2017  
KR 3020170038695 \* 8/2017

**OTHER PUBLICATIONS**

Amazon, Blanco Carena-S Vario mixer, posted Feb. 19, 2016,  
[online], [visited Sep. 7, 2021]. Internet, <URL: <https://www.amazon.co.uk/BLANCO-Carena-Chrome-Kitchen-521356/dp/B01AJ2A4MC/ref>> (Year: 2016).\*

\* cited by examiner

*Primary Examiner* — Sheryl Lane

*Assistant Examiner* — Samantha N Wood

(74) *Attorney, Agent, or Firm* — Nirav D. Parikh; Edgar  
A. Zarins

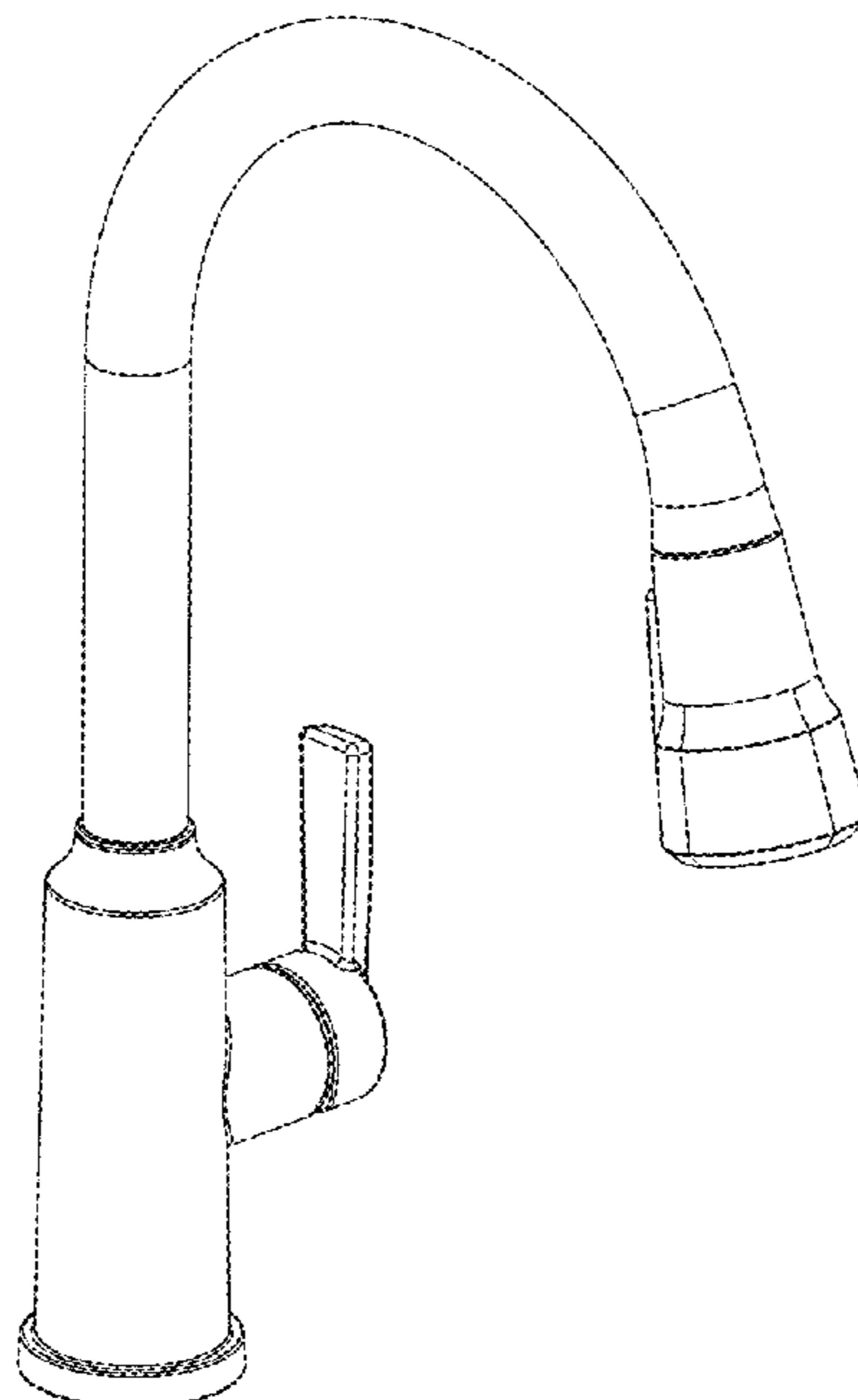
(57) **CLAIM**

The ornamental design for a faucet, as shown and described.

**DESCRIPTION**

FIG. 1 is a front perspective view of a faucet showing my  
new design;  
FIG. 2 is a rear perspective view thereof;  
FIG. 3 is a front elevational view thereof;  
FIG. 4 is a left side view thereof;  
FIG. 5 is a rear view thereof;  
FIG. 6 is a right side view thereof;  
FIG. 7 is a top plan view thereof; and,  
FIG. 8 is a bottom view thereof.

**1 Claim, 4 Drawing Sheets**



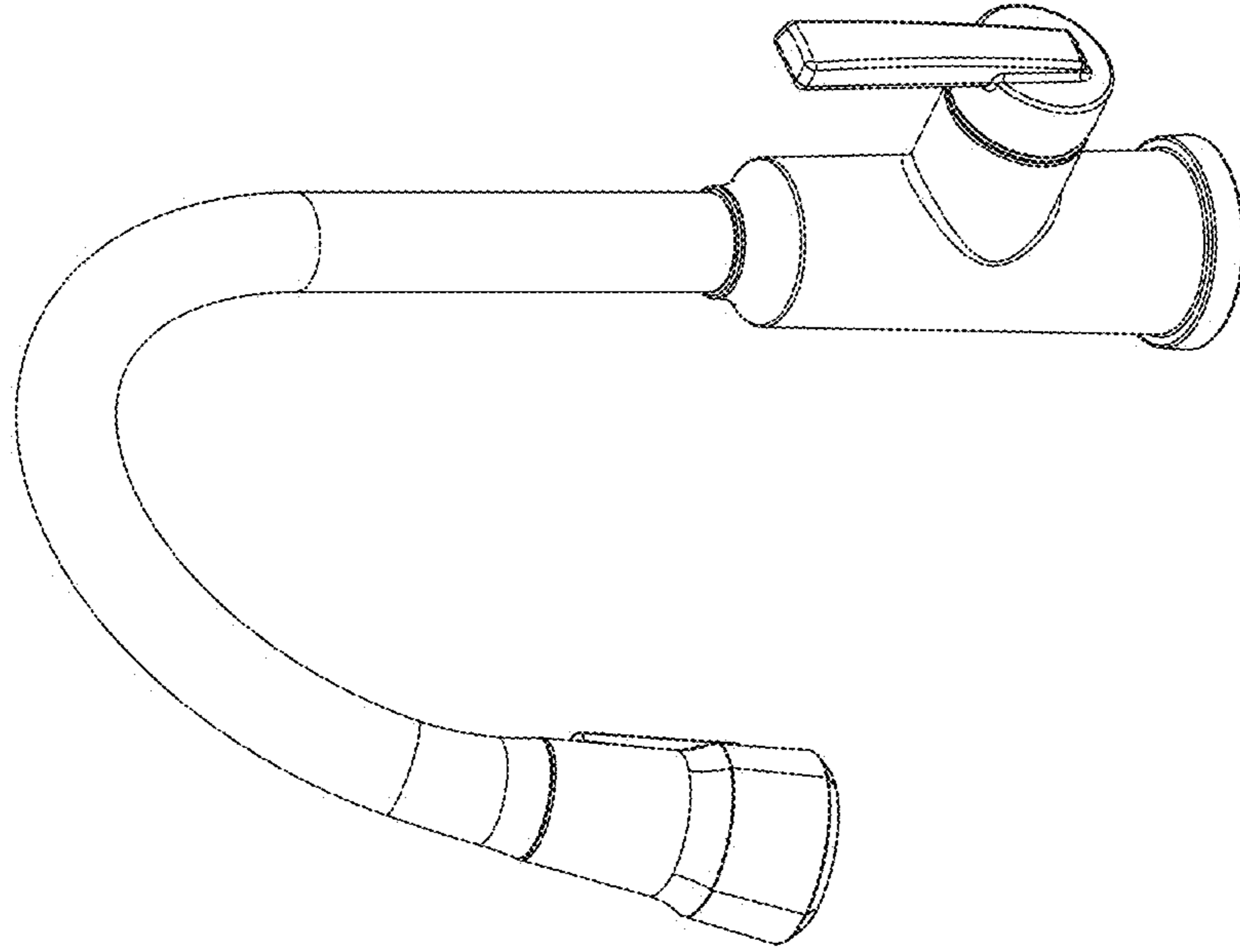


Fig. 2

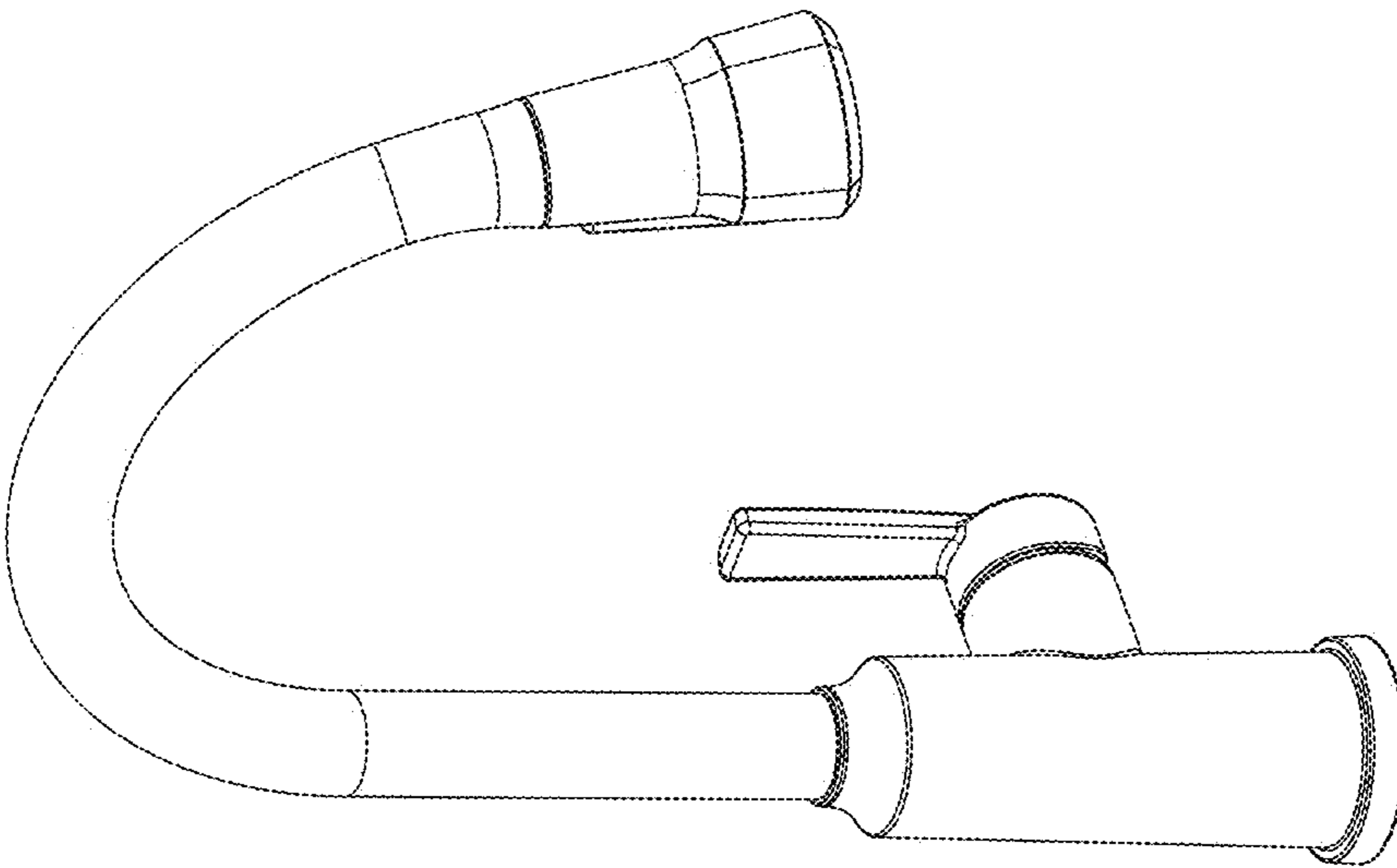


Fig. 1

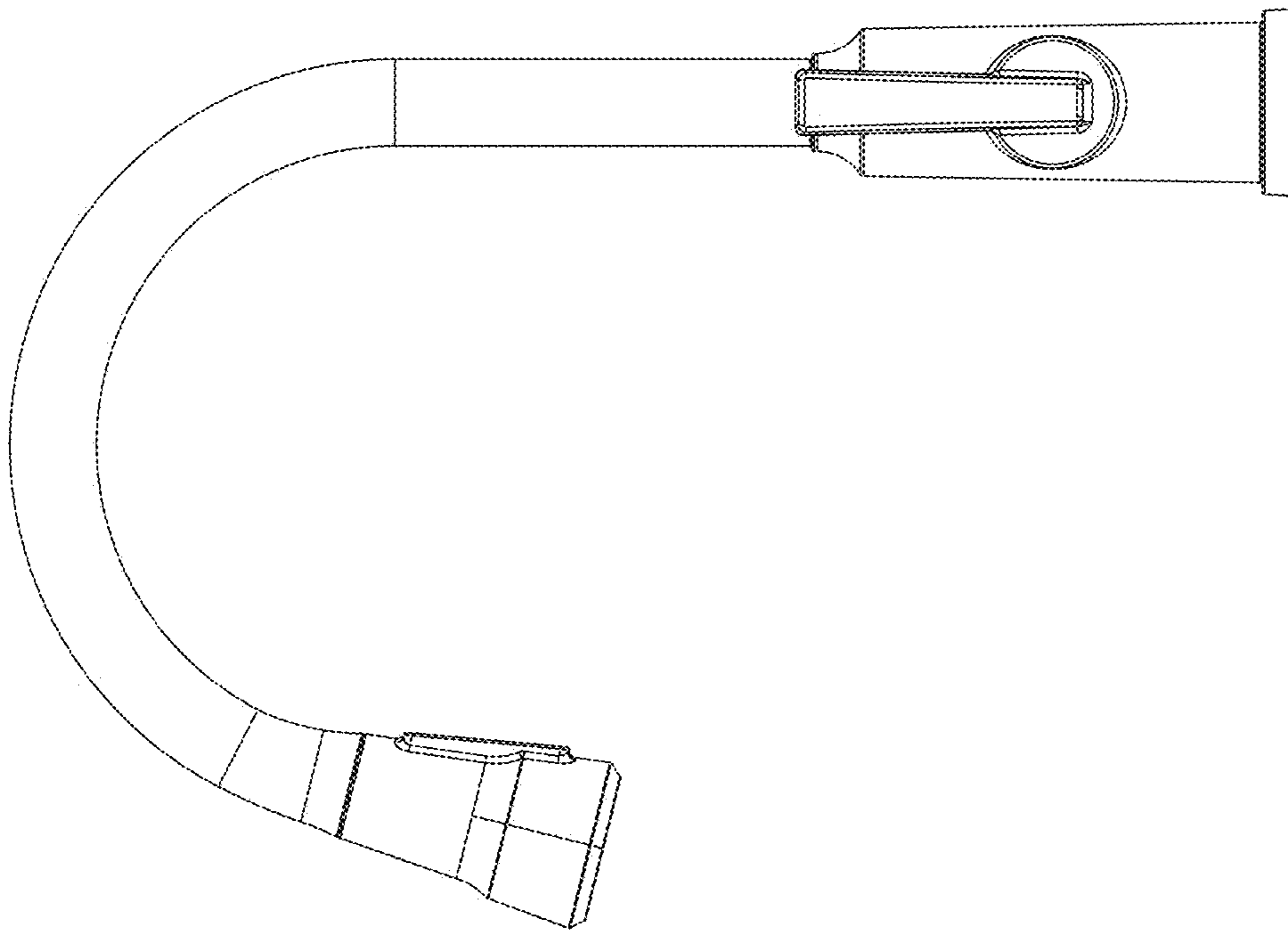


Fig. 4

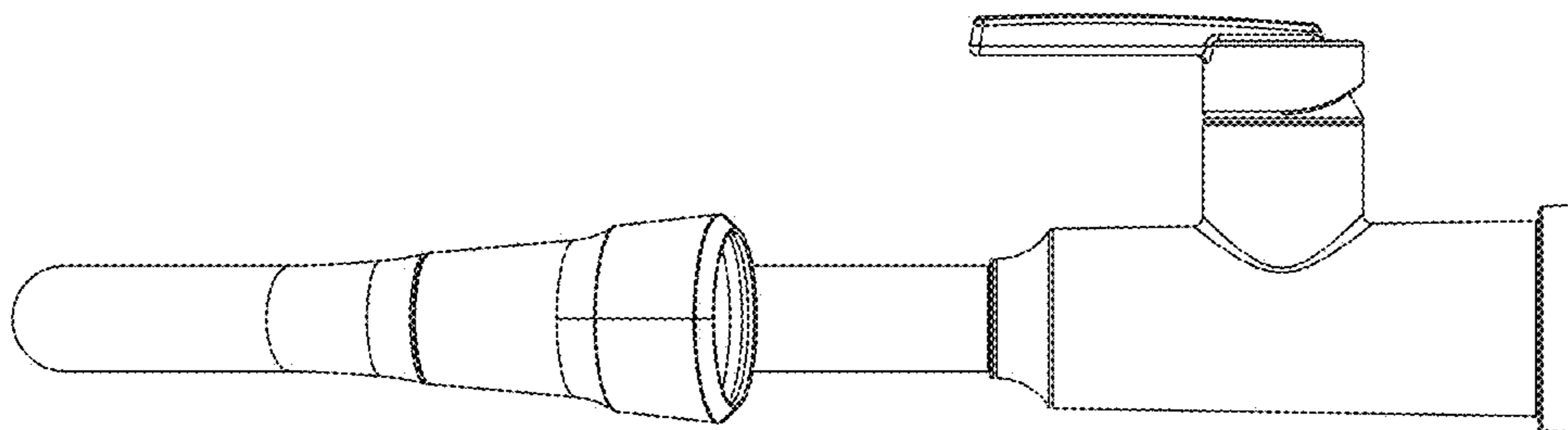


Fig. 3

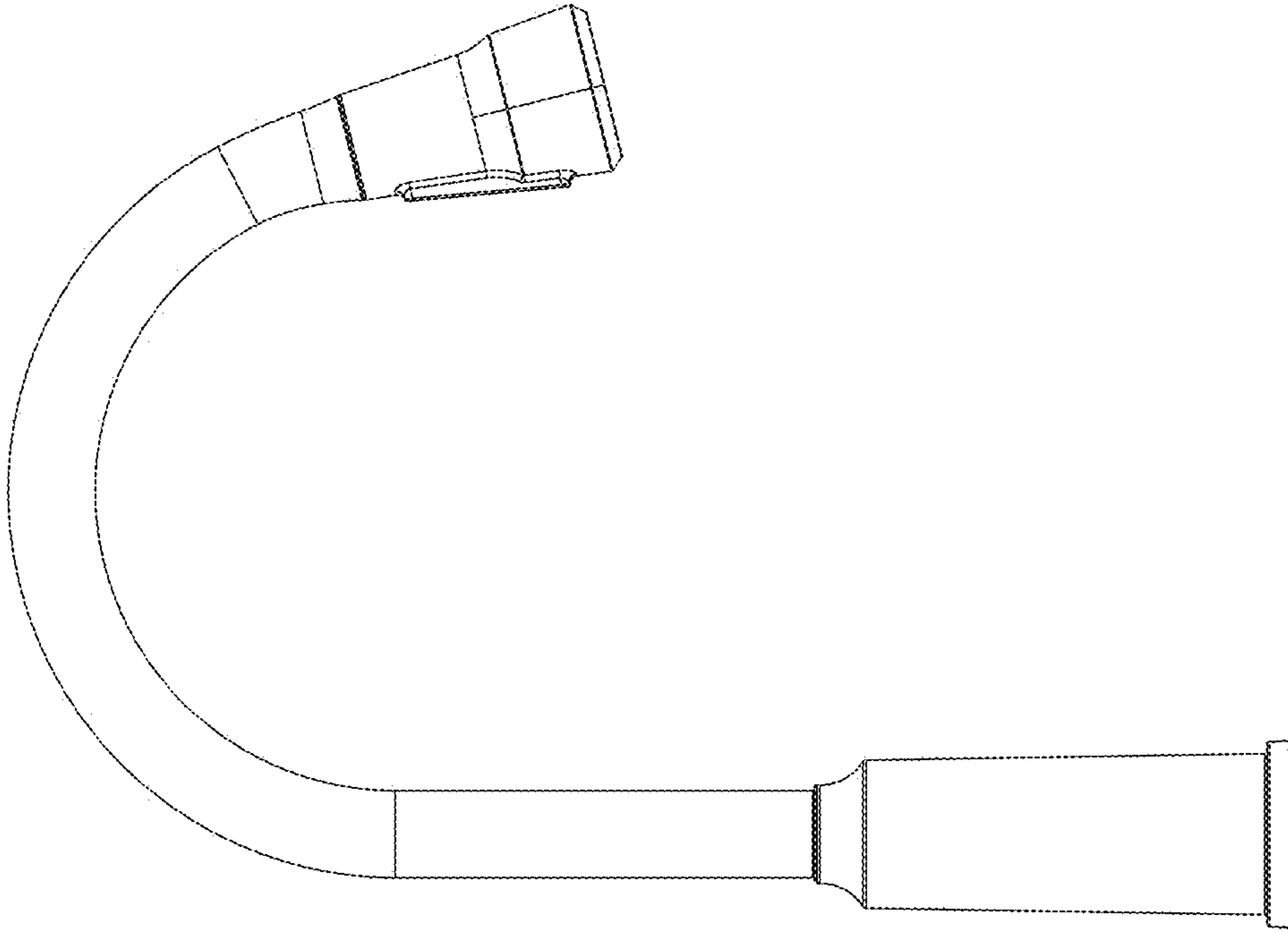


Fig. 6

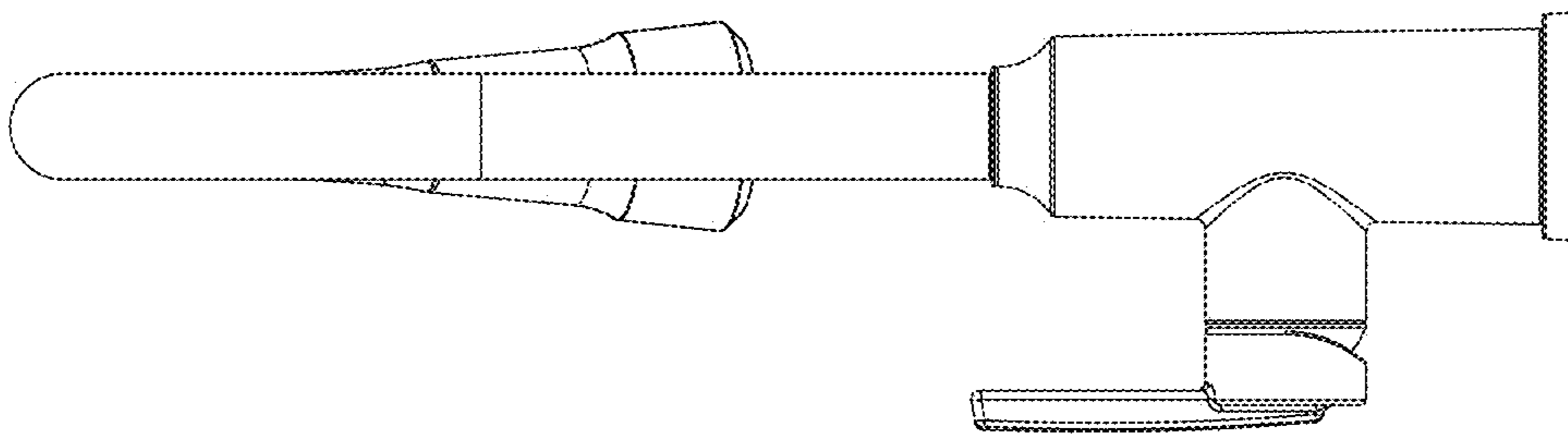


Fig. 5

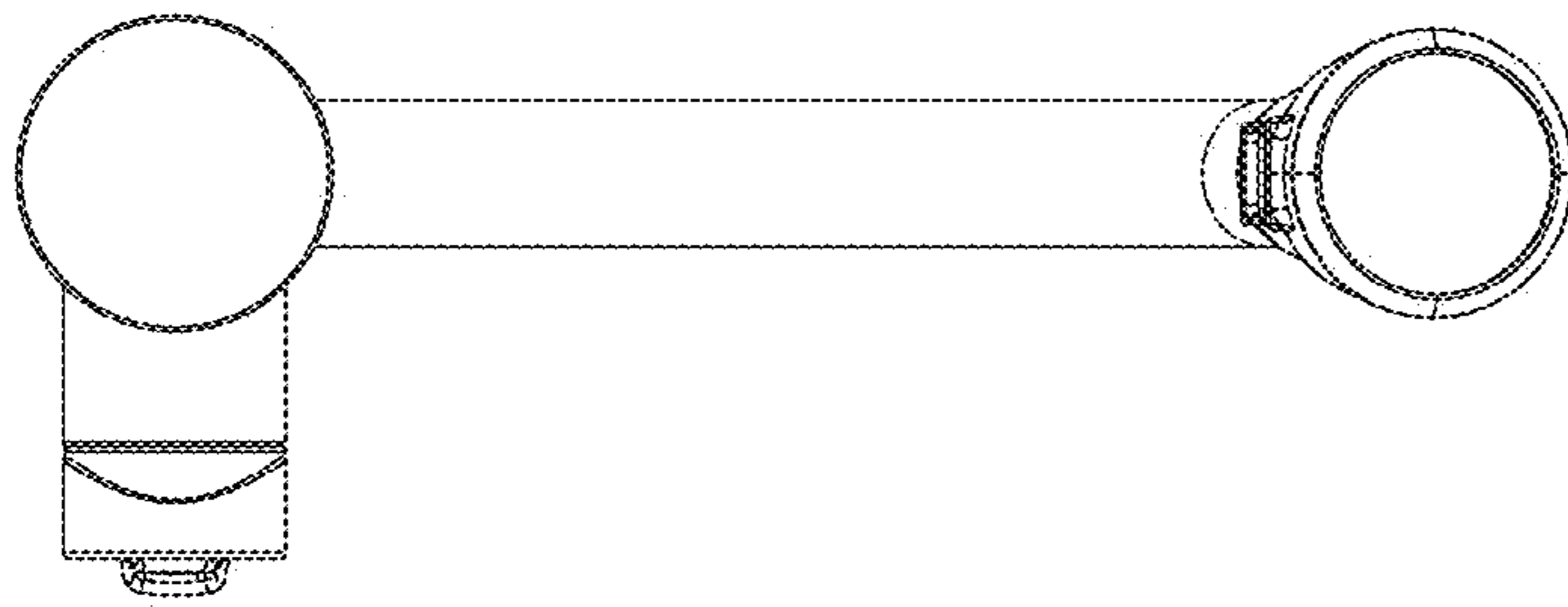


Fig. 8

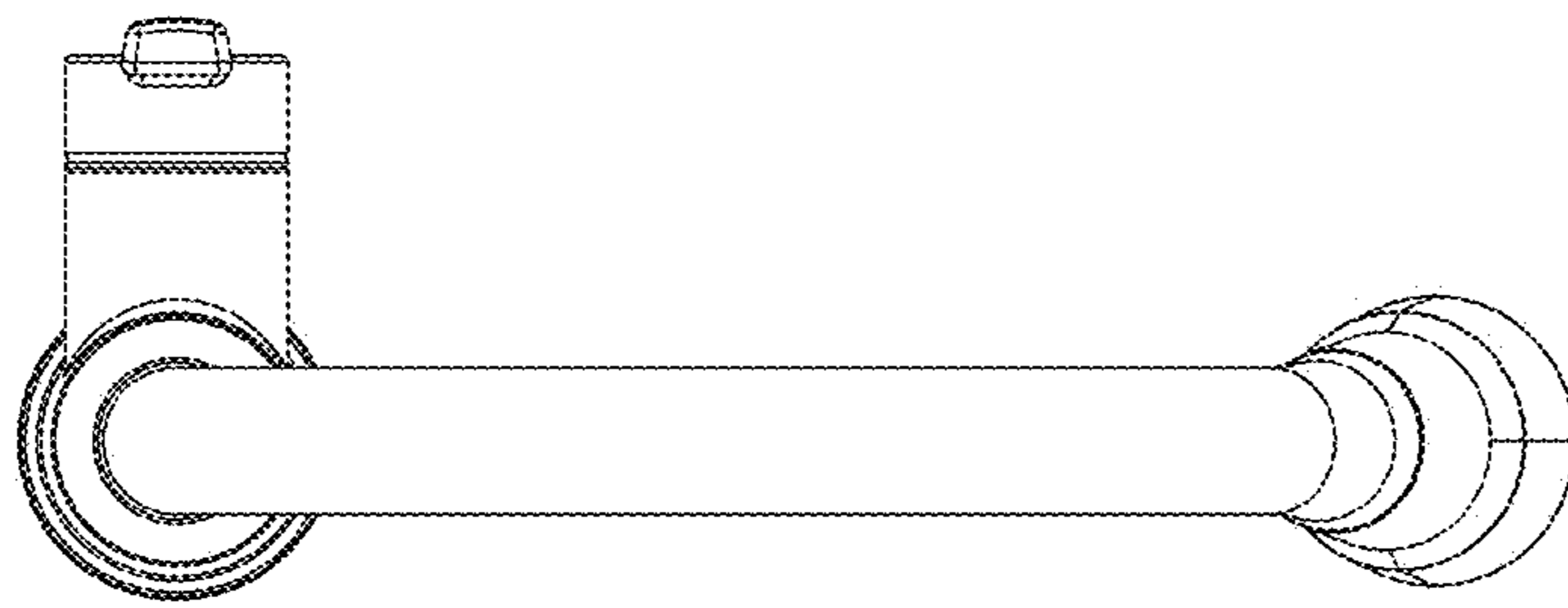


Fig. 7