



US00D948667S

(12) **United States Design Patent** (10) **Patent No.:** **US D948,667 S**
Kieras (45) **Date of Patent:** **** Apr. 12, 2022**

(54) **VACUUM BREAK TWIST TAP**
(71) Applicant: **DS Smith Plastics Limited**, London
(GB)

D500,123 S * 12/2004 Pelletz D23/245
D516,679 S * 3/2006 Tripp D23/245
D531,697 S * 11/2006 Hofmann D23/237
7,721,755 B2 5/2010 Smith

(Continued)

(72) Inventor: **Ronald E. Kieras**, Bolingbrook, IL
(US)

FOREIGN PATENT DOCUMENTS

(73) Assignee: **LB EUROPE LIMITED**, Manchester
(GB)

AU 2011248536 B2 11/2011
AU 2011248536 B2 3/2015

(**) Term: **15 Years**

OTHER PUBLICATIONS

(21) Appl. No.: **29/725,090**

Aaron Stickley. "Pressure Vacuum Breaker Basics." The Spruce., May 11, 2019 [online], [retrieved on Jun. 29, 2021]. Retrieved from the Internet <URL: <https://www.thespruce.com/pressure-vacuum-breaker-basics-2718896>>.*

(22) Filed: **Feb. 21, 2020**

(Continued)

(51) **LOC (13) Cl.** **23-01**

(52) **U.S. Cl.**

USPC **D23/237**

(58) **Field of Classification Search**

USPC D23/230-239, 244-250, 259-269; D8/70

CPC E03C 1/104; E03C 1/108

See application file for complete search history.

Primary Examiner — Darlington Ly

(74) *Attorney, Agent, or Firm* — McAndrews, Held & Malloy, Ltd.

(56) **References Cited**

(57) **CLAIM**

The ornamental design for a vacuum break twist tap, as shown and described.

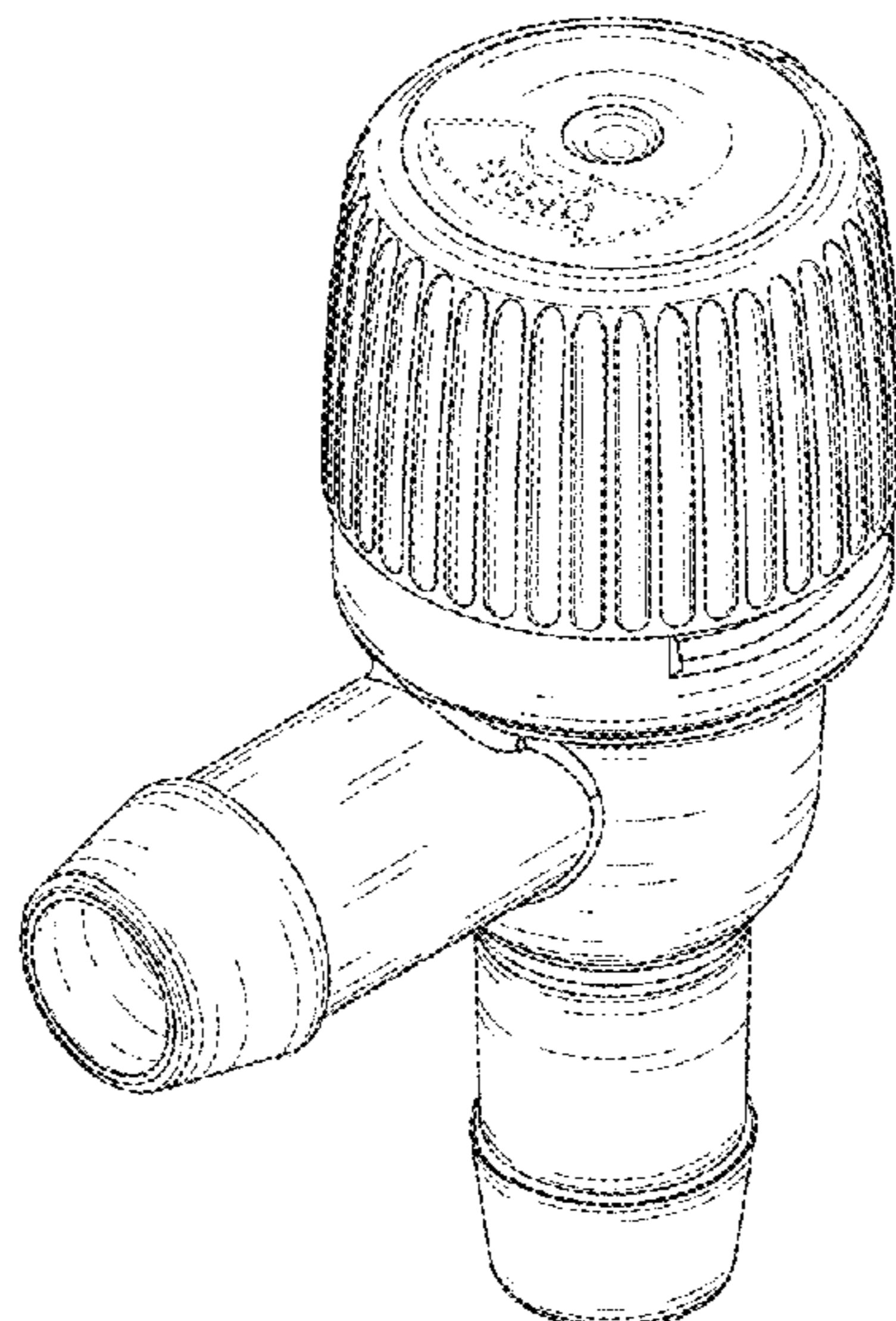
U.S. PATENT DOCUMENTS

DESCRIPTION

- 2,028,101 A * 1/1936 Fredrickson E03C 1/108
137/217
- 3,023,767 A * 3/1962 Woodford E03C 1/108
137/218
- 3,145,724 A * 8/1964 Pelzer E03C 1/108
137/217
- 3,180,352 A * 4/1965 Kersten F16K 15/06
137/218
- 3,183,924 A * 5/1965 Duchin E03C 1/108
137/218
- D223,094 S * 3/1972 Coleman et al. D23/235
- D278,740 S * 5/1985 Bolgert D23/235
- D309,173 S * 7/1990 Stipe D23/233
- D319,866 S * 9/1991 Rogers D23/235
- 5,360,029 A * 11/1994 Goughneour E03C 1/108
137/217
- D426,617 S * 6/2000 Hansen D23/237

FIG. 1 is a front perspective view of a vacuum break twist tap showing my new design;
FIG. 2 is a front elevation view thereof;
FIG. 3 is a rear elevation view thereof;
FIG. 4 is a left side elevation view thereof;
FIG. 5 is a right side elevation view thereof;
FIG. 6 is a top plan view thereof;
FIG. 7 is a bottom plan view thereof; and,
FIG. 8 is a front perspective cross-sectional view thereof.
The dashed broken lines in the figures illustrate portions of the vacuum break twist tap that form no part of the claimed design.

1 Claim, 5 Drawing Sheets



(56)

References Cited

U.S. PATENT DOCUMENTS

8,006,874 B2 8/2011 Smith
8,297,299 B2* 10/2012 Pan F16K 24/06
137/217
10,227,167 B2 3/2019 Darby

OTHER PUBLICATIONS

William Moore. "Best backflow preventer for sprinkler systems." Lawnista., Sep. 12, 2020 [online], [retrieved on Jun. 29, 2021]. Retrieved from the Internet <URL: <https://lawnista.com/best-backflow-preventer-for-sprinkler-systems/>>.*
Strivo Technical Datasheet, Rapak-L-300-EN Sep. 2015, © 2015 DS Smith, Plastics Division, Rapak (2 pages).
TruTap Information Sheet, 495RV-C 525 RV-B WD-L-302-EN Nov. 2016, © DS Smith, Plastics Division, Worldwide Dispensers (2 pages).
Creative Dispensing Solutions brochure, ©2018 DS Smith, Plastics Division, Worldwide Dispensers(36 pages).

* cited by examiner

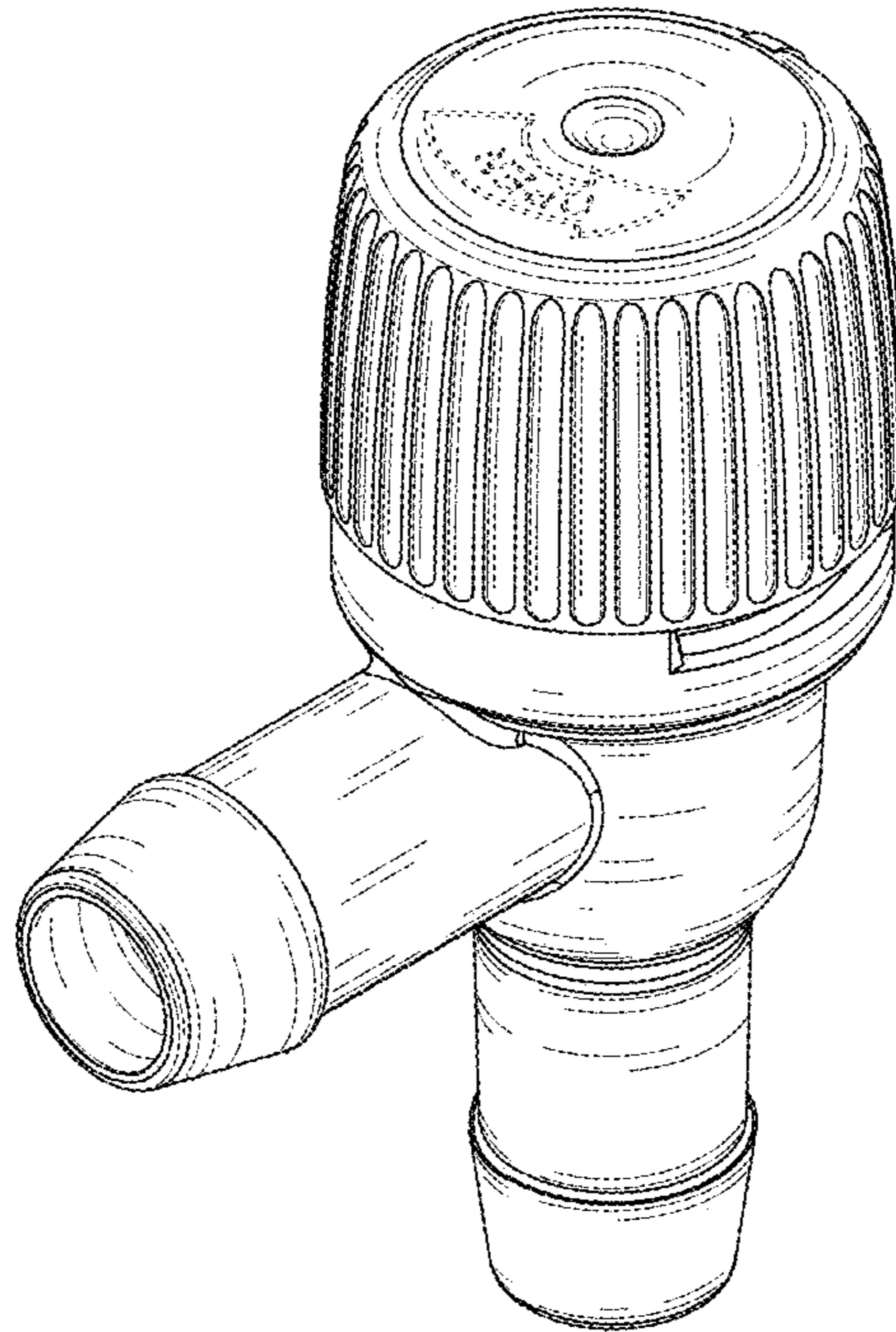


FIG. 1

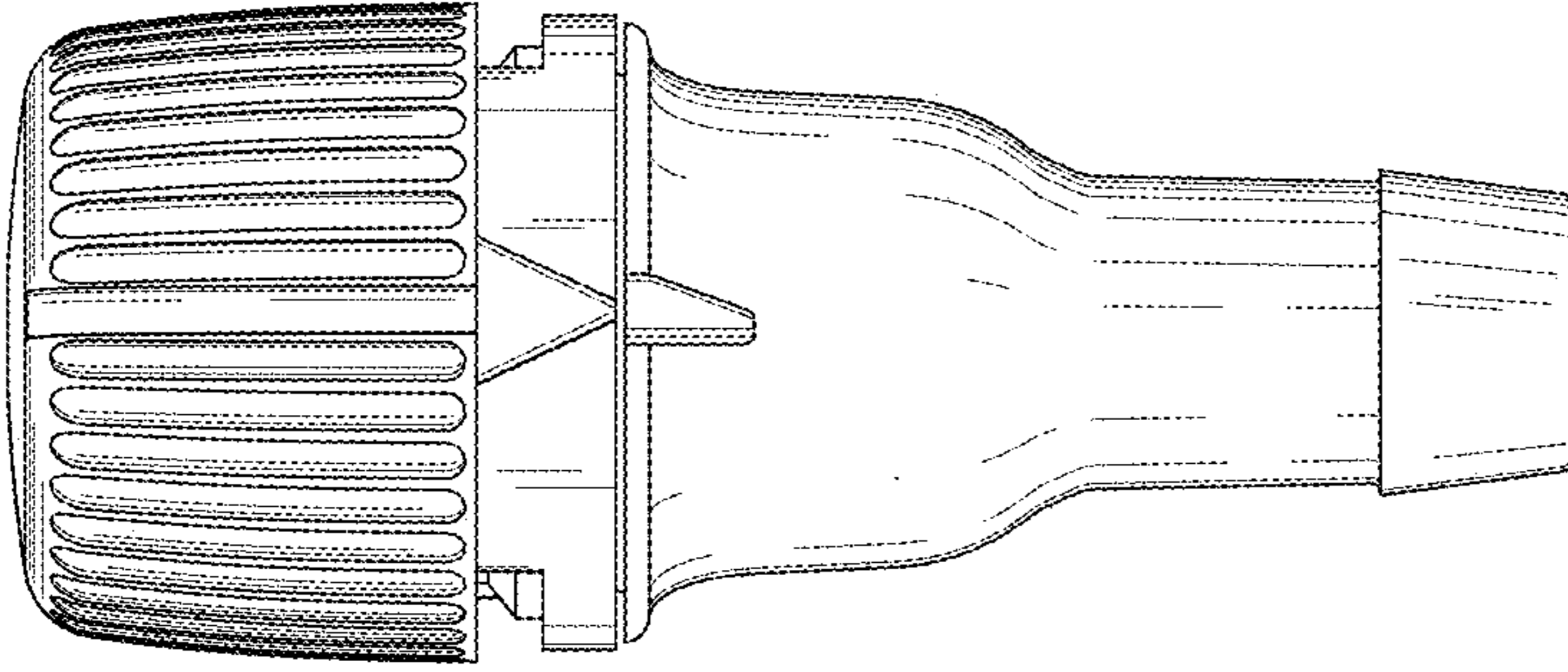


FIG. 2

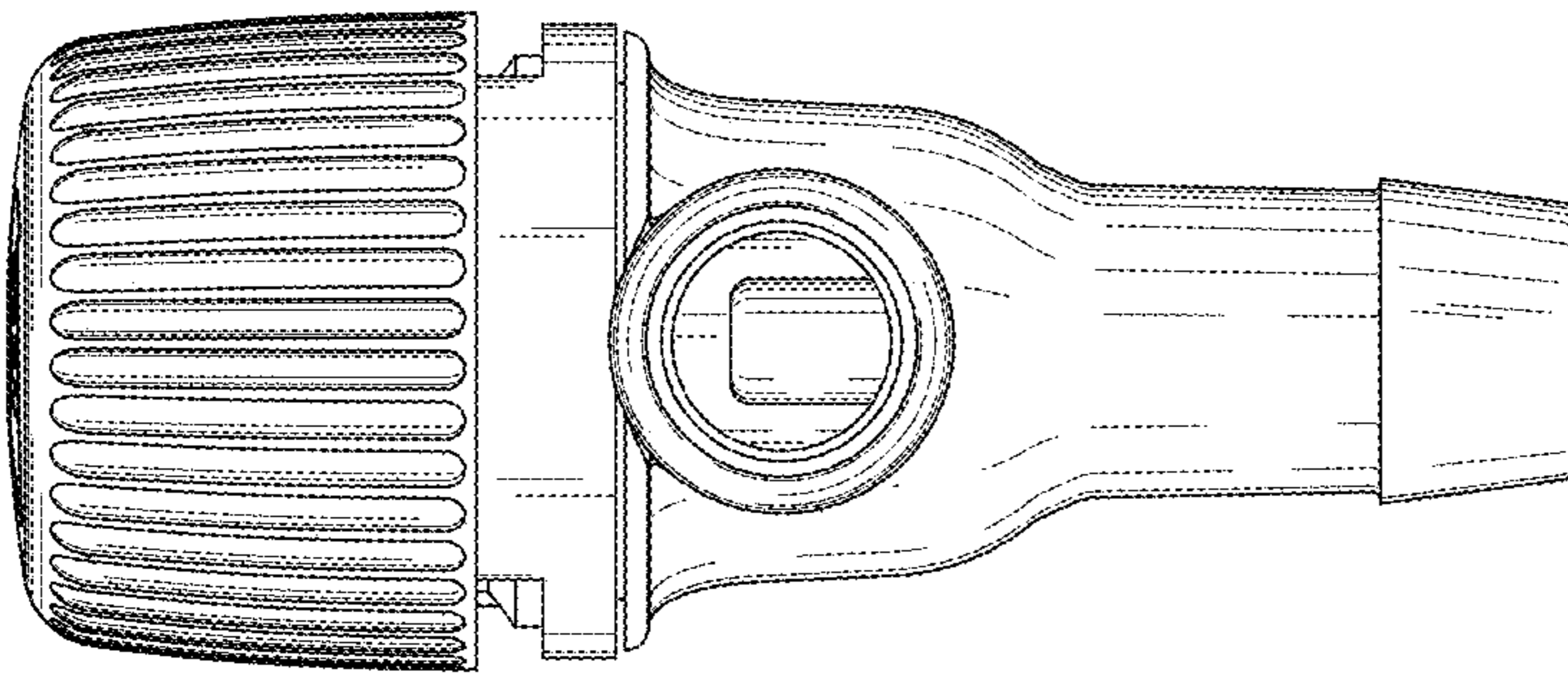


FIG. 3

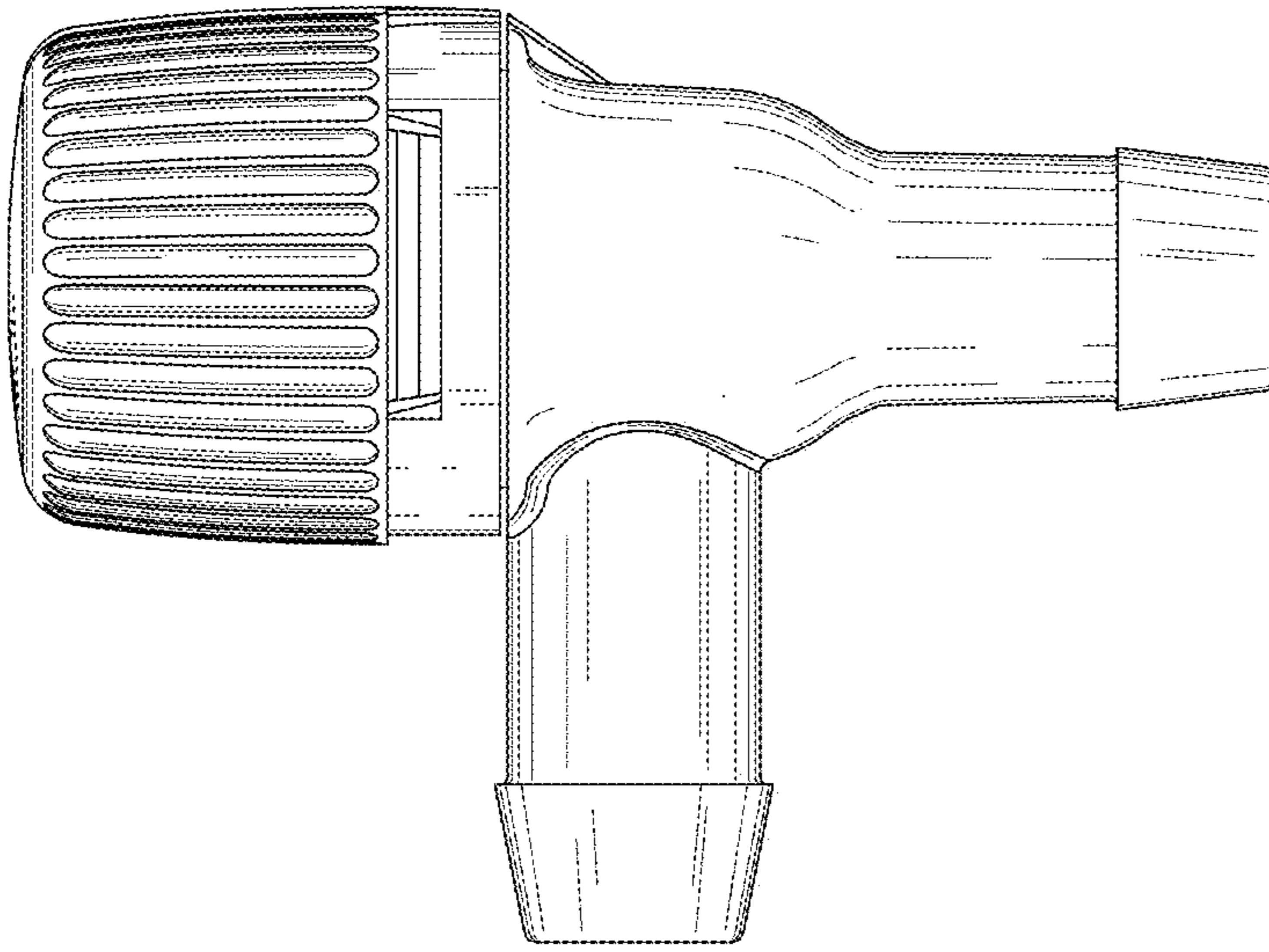


FIG. 5

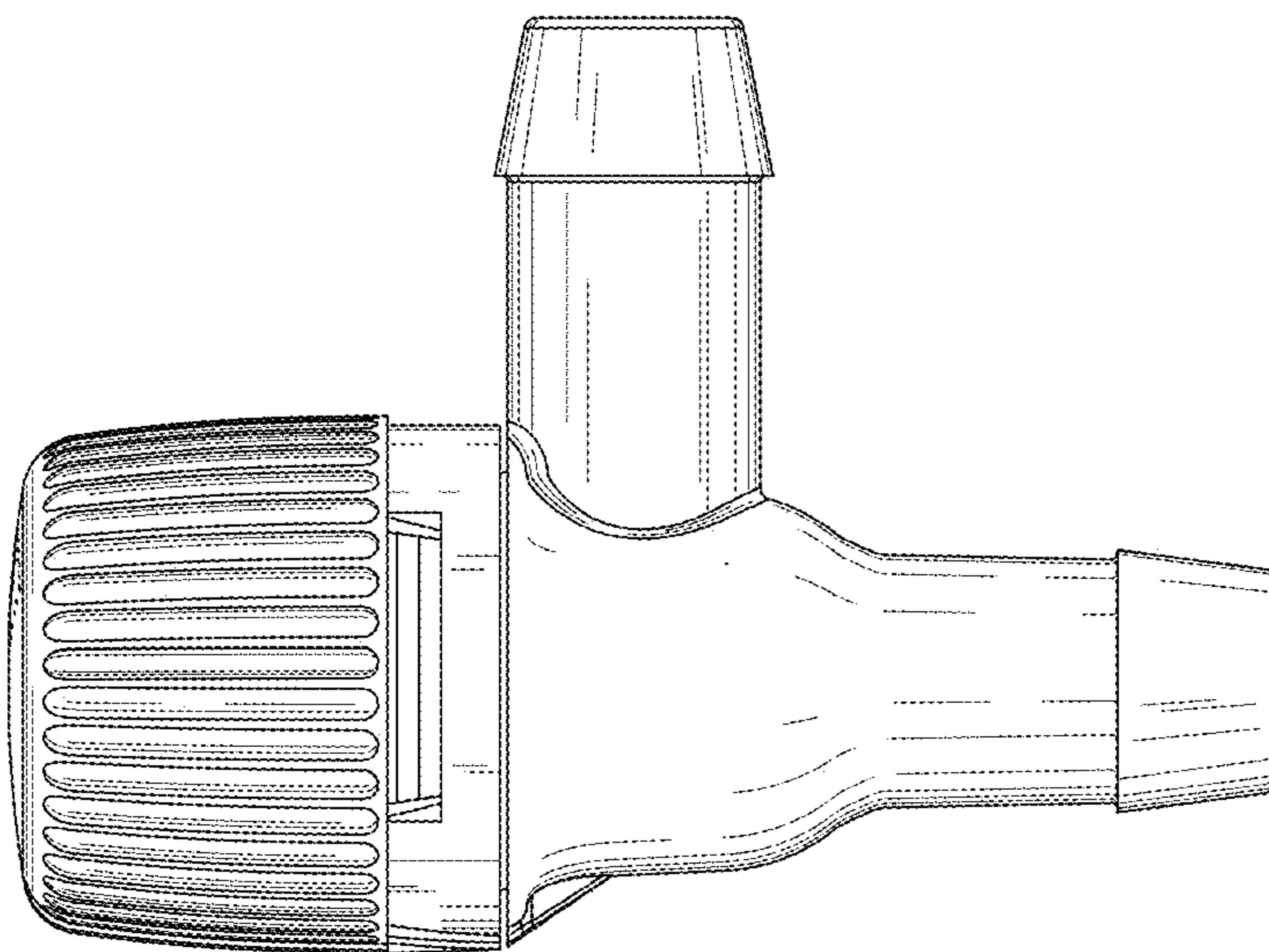


FIG. 4

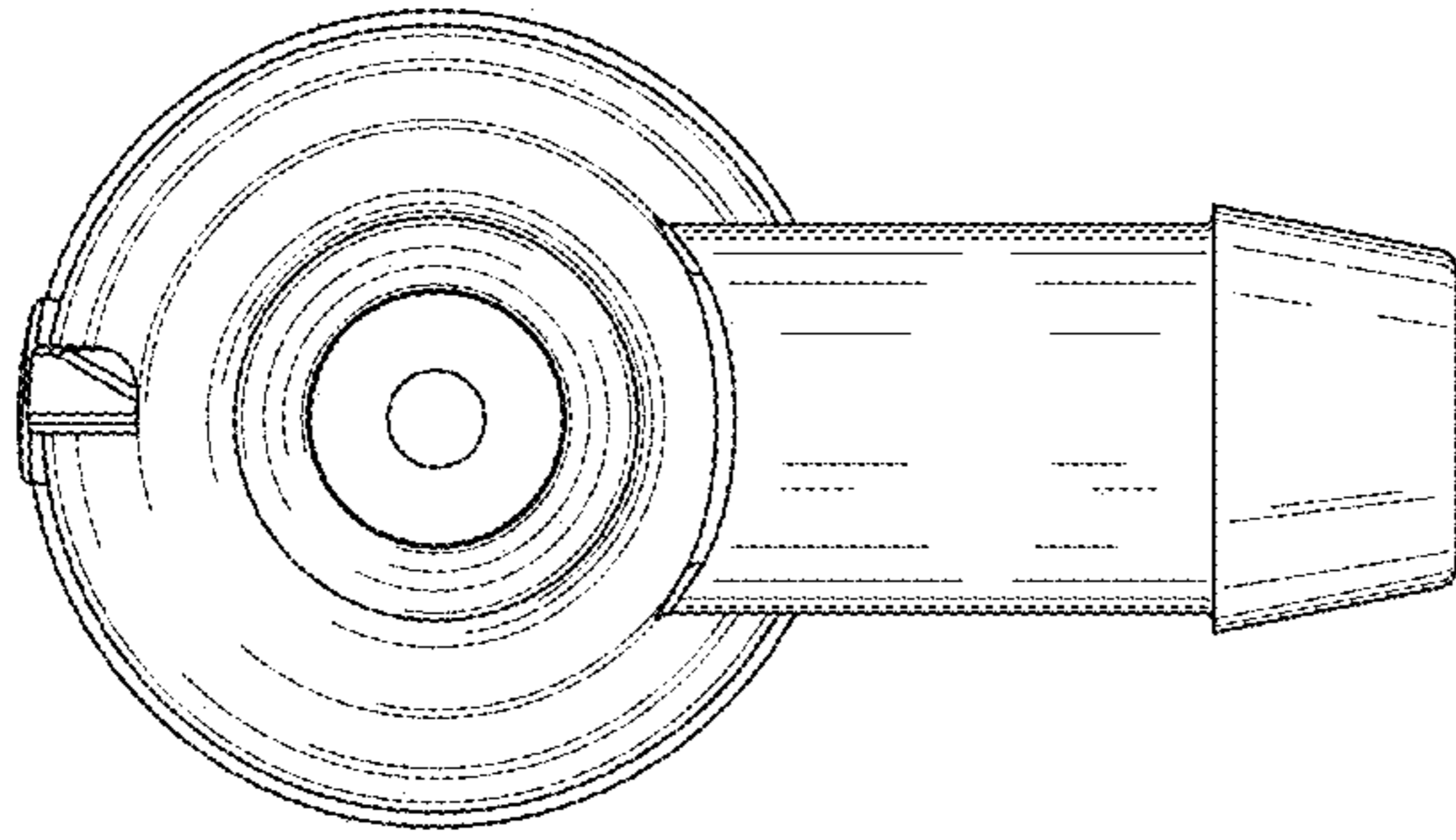


FIG. 7

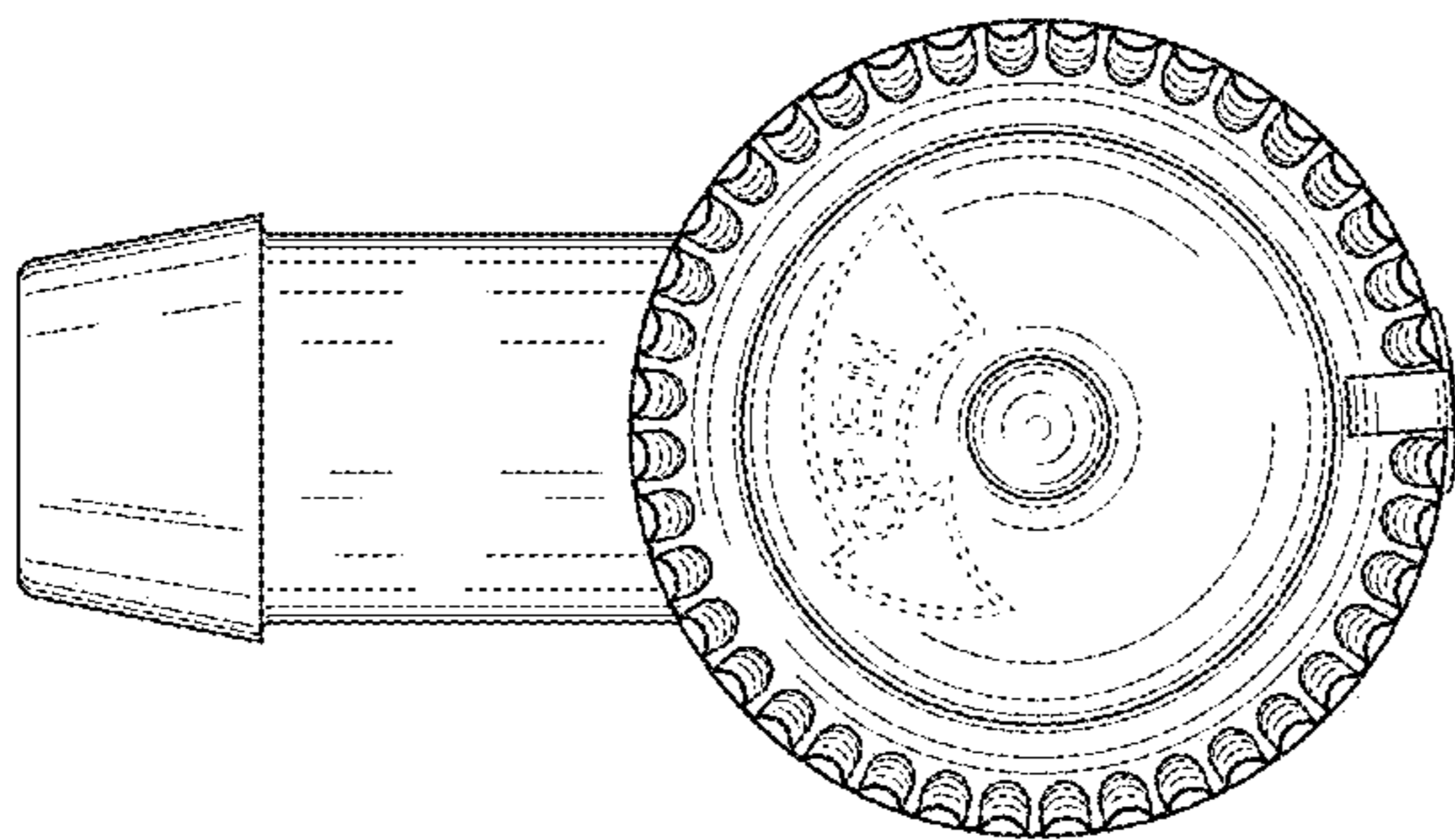


FIG. 6

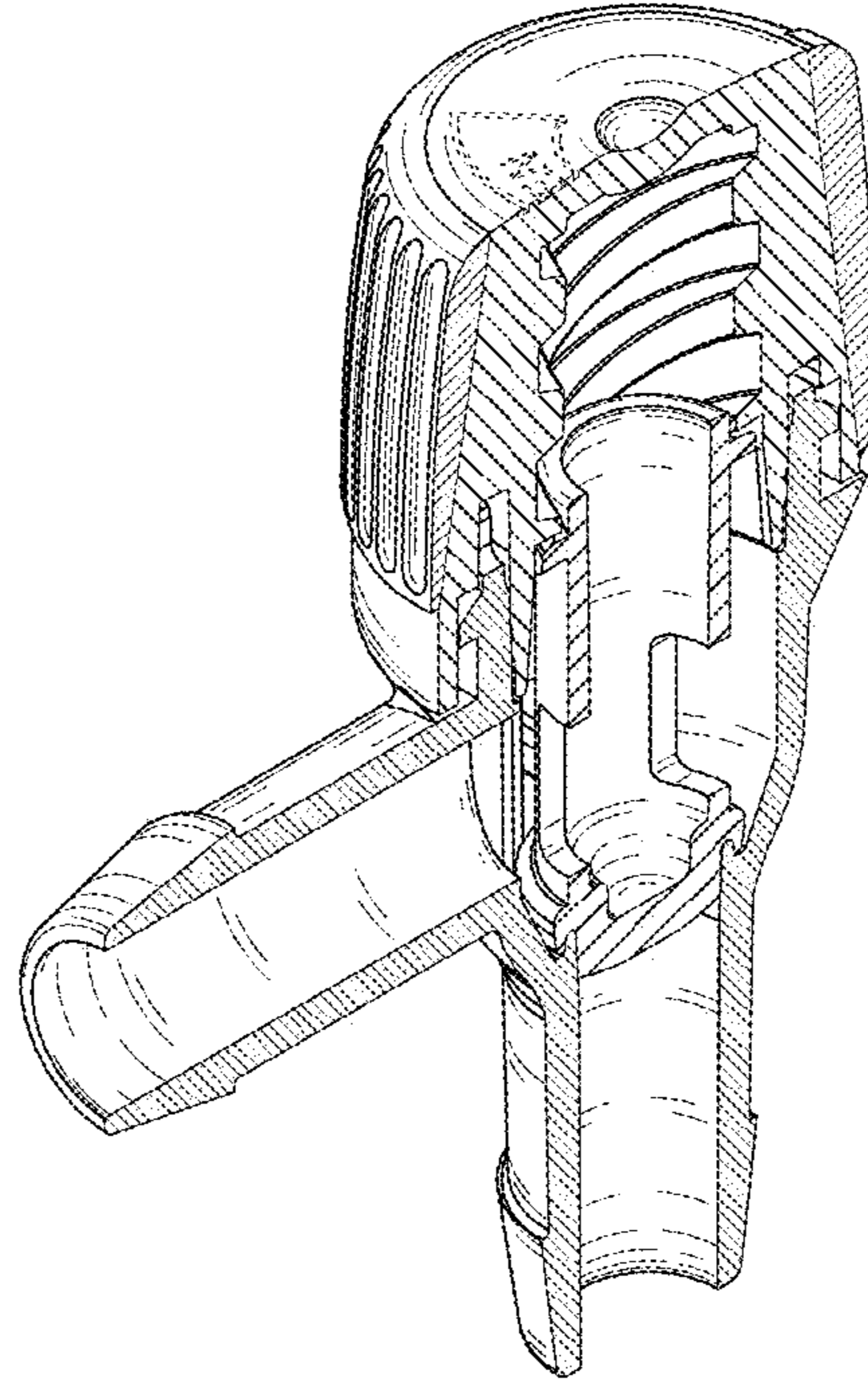


FIG. 8

UNITED STATES PATENT AND TRADEMARK OFFICE
CERTIFICATE OF CORRECTION

PATENT NO. : D948,667 S
APPLICATION NO. : 29/725090
DATED : April 12, 2022
INVENTOR(S) : Ronald E. Kieras and Matthew Ruschmeier

Page 1 of 1

It is certified that error appears in the above-identified patent and that said Letters Patent is hereby corrected as shown below:

On the Title Page

Item [12], should read:

Kieras, et al.

Item [72], should read:

Inventors:

Ronald E. Kieras, Bolingbrook, IL (US)

Matthew Ruschmeier, Glencoe, MN (US)

Signed and Sealed this
Second Day of August, 2022
Katherine Kelly Vidal

Katherine Kelly Vidal
Director of the United States Patent and Trademark Office