



US00D948664S

(12) **United States Design Patent**
Lai et al.

(10) **Patent No.:** **US D948,664 S**

(45) **Date of Patent:** **** Apr. 12, 2022**

(54) **MANUAL BRAKE FLUID BLEEDER**

D809,625 S * 2/2018 Bonaventura D23/225
D832,890 S * 11/2018 Franks B05B 9/0861

(71) Applicant: **JEN SIAN INDUSTRIAL CO., LTD.**,
Taichung (TW)

D871,456 S * 12/2019 Soreo D15/7
2017/0106385 A1 * 4/2017 Schrum B05B 9/0816

(72) Inventors: **Cheng-Wei Lai**, Taichung (TW);
Fu-Kai Chuang, Taichung (TW)

OTHER PUBLICATIONS

(73) Assignee: **JEN SIAN INDUSTRIAL CO., LTD.**,
Taichung (TW)

“JS-6231 Manual Brake Fluid Bleeder” JSAP, posted date Feb. 15, 2021 [online], [retrieved on Dec. 2, 2021]. Retrieved from the Internet <URL: <http://www.jsap.com.tw/en/products/?method=detail&aid=223>> (Year: 2021).*

(**) Term: **15 Years**

“Orion Motor Tech Brake Pressure Bleeder” Orion Motor, posted date Sep. 1, 2020 [online], [retrieved on Dec. 2, 2021]. Retrieved from the Internet <URL: <https://www.amazon.com/Orion-Motor-Tech-European-Pressure/dp/B08H4V55M5>> (Year: 2020).*

(21) Appl. No.: **29/740,328**

(22) Filed: **Jul. 2, 2020**

“ARES 70921-2-Liter Manual Brake Fluid Pressure Bleeder” ARES., posted date Dec. 11, 2018 [online], [retrieved on Dec. 2, 2021]. Retrieved from the Internet <URL: https://www.amazon.com/ARES-70921-2-Liter-Manual-Pressure-Bleeder/dp/B07CP79C7S/ref=pd_lpo_2?pd_rd_i=B07CP79C7S&psc=1> (Year: 2018).*

(30) **Foreign Application Priority Data**

Jan. 10, 2020 (TW) 109300165

* cited by examiner

(51) **LOC (13) Cl.** **23-01**

(52) **U.S. Cl.**
USPC **D23/225**

(58) **Field of Classification Search**
USPC D12/180; D23/213, 223, 225
CPC B05B 7/2464; B05B 11/06; B05B 9/08;
B05B 7/2408; B65D 83/20

See application file for complete search history.

Primary Examiner — Darlington Ly

Assistant Examiner — Nasim Abdulaziz Ali

(74) *Attorney, Agent, or Firm* — Guice Patents PLLC

(56) **References Cited**

(57) **CLAIM**

The ornamental design for a manual brake fluid bleeder, as shown and described.

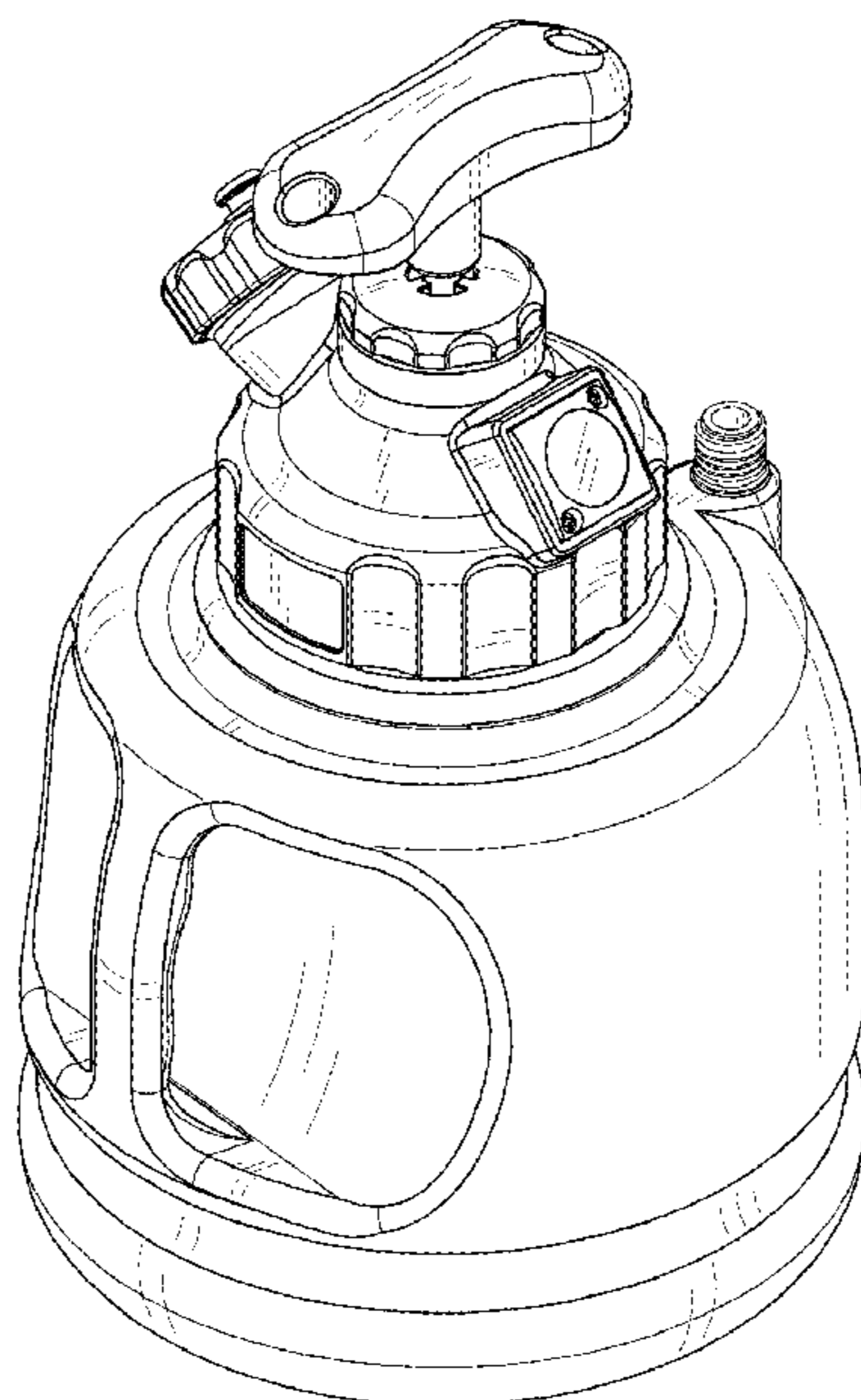
U.S. PATENT DOCUMENTS

DESCRIPTION

D243,768 S * 3/1977 Hinojosa D23/209
D620,499 S * 7/2010 Sulzer D15/7
D678,338 S * 3/2013 O’Shea D15/7
8,616,466 B2 * 12/2013 Strauss A01M 7/0046
239/154
D713,502 S * 9/2014 Nicolia D23/225
D741,372 S * 10/2015 Smith, Sr. D15/7
D780,291 S * 2/2017 Schrum D23/225
D787,325 S * 5/2017 Young D9/448

FIG. 1 is a perspective view of a body of manual brake fluid bleeder embodying our new design;
FIG. 2 is a front elevation view thereof;
FIG. 3 is a rear elevation view thereof;
FIG. 4 is a left side elevation view thereof;
FIG. 5 is a right side elevation view thereof; and,
FIG. 6 is a top plan view thereof.

1 Claim, 6 Drawing Sheets



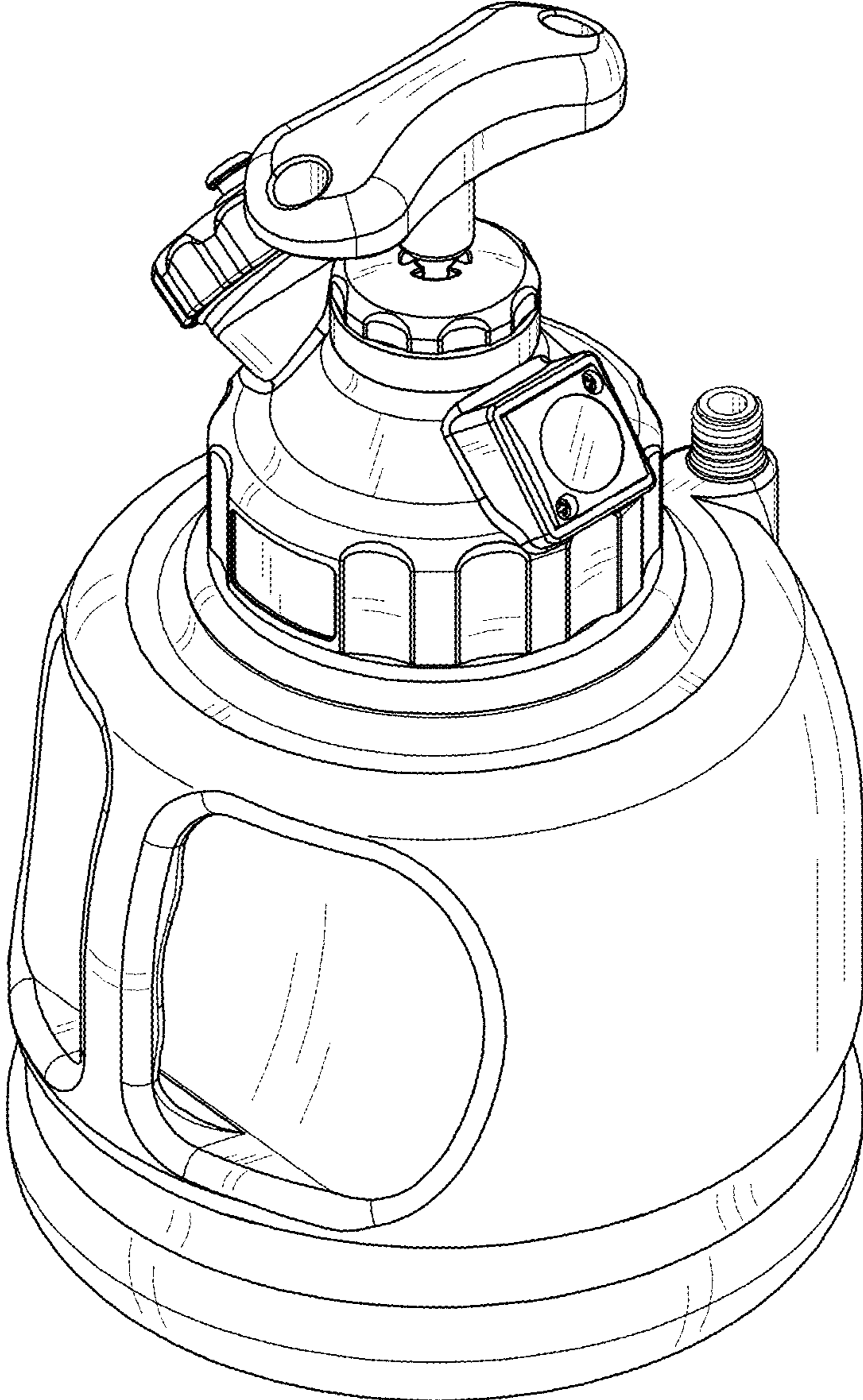


Fig. 1

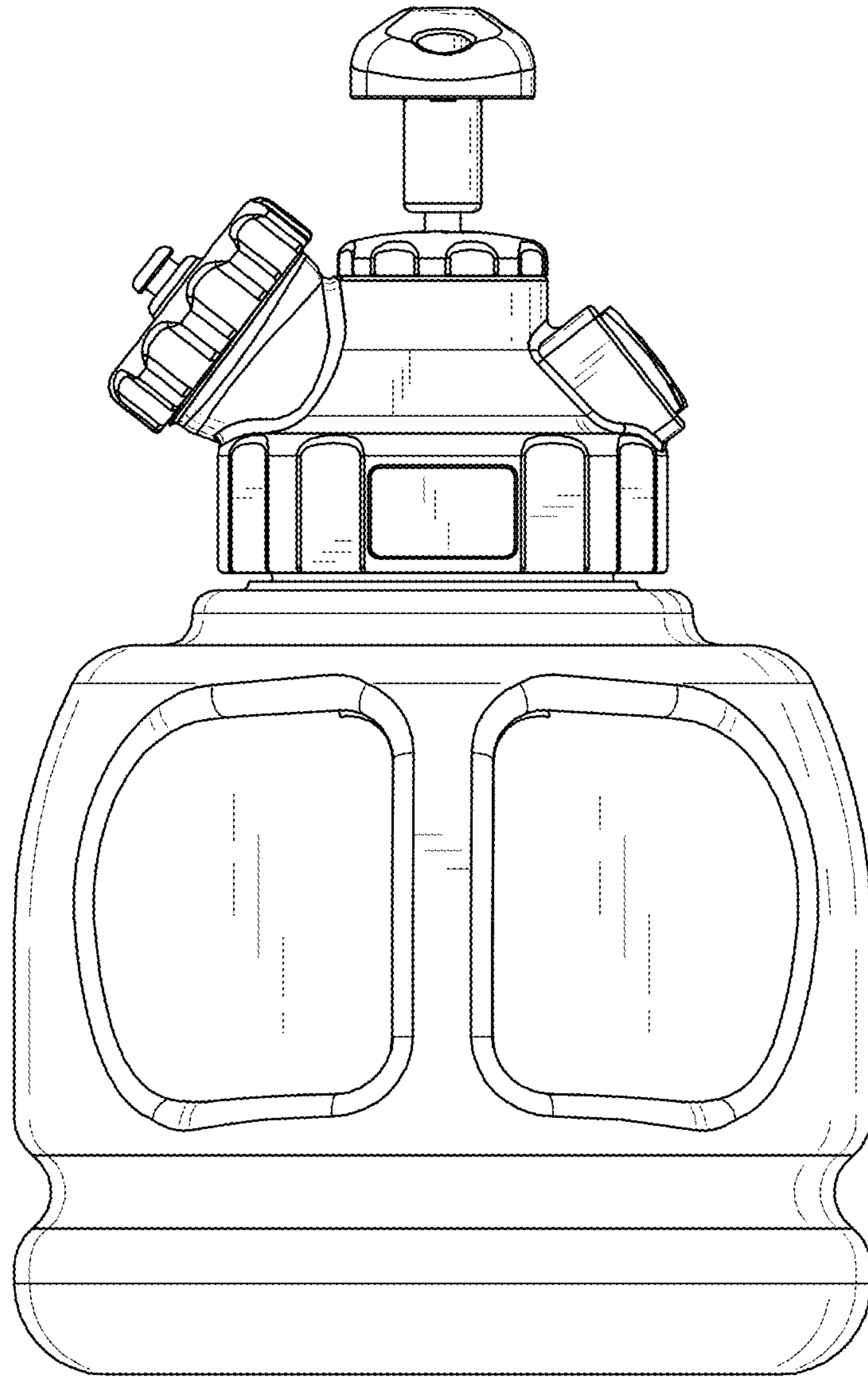


Fig. 2

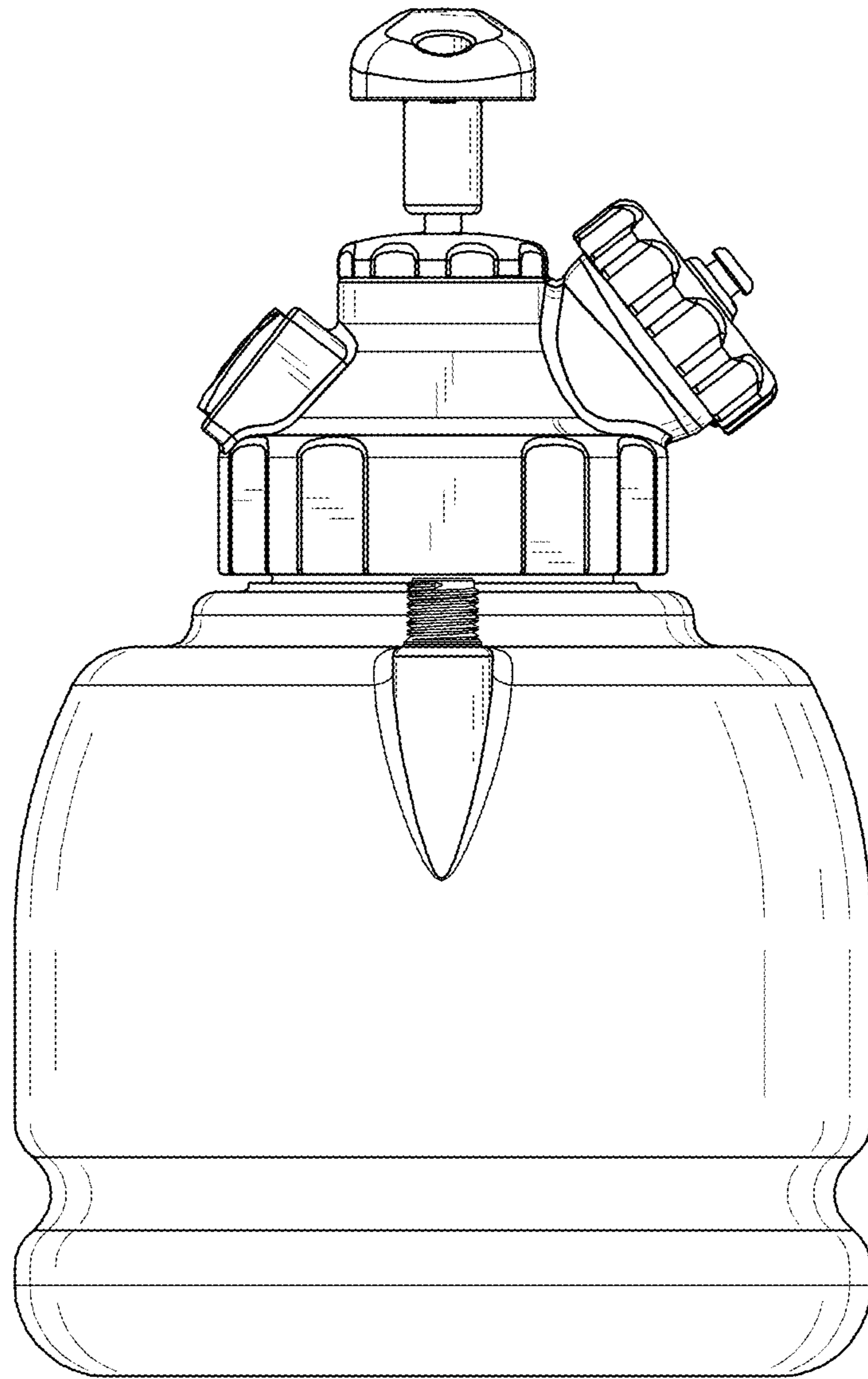


Fig. 3

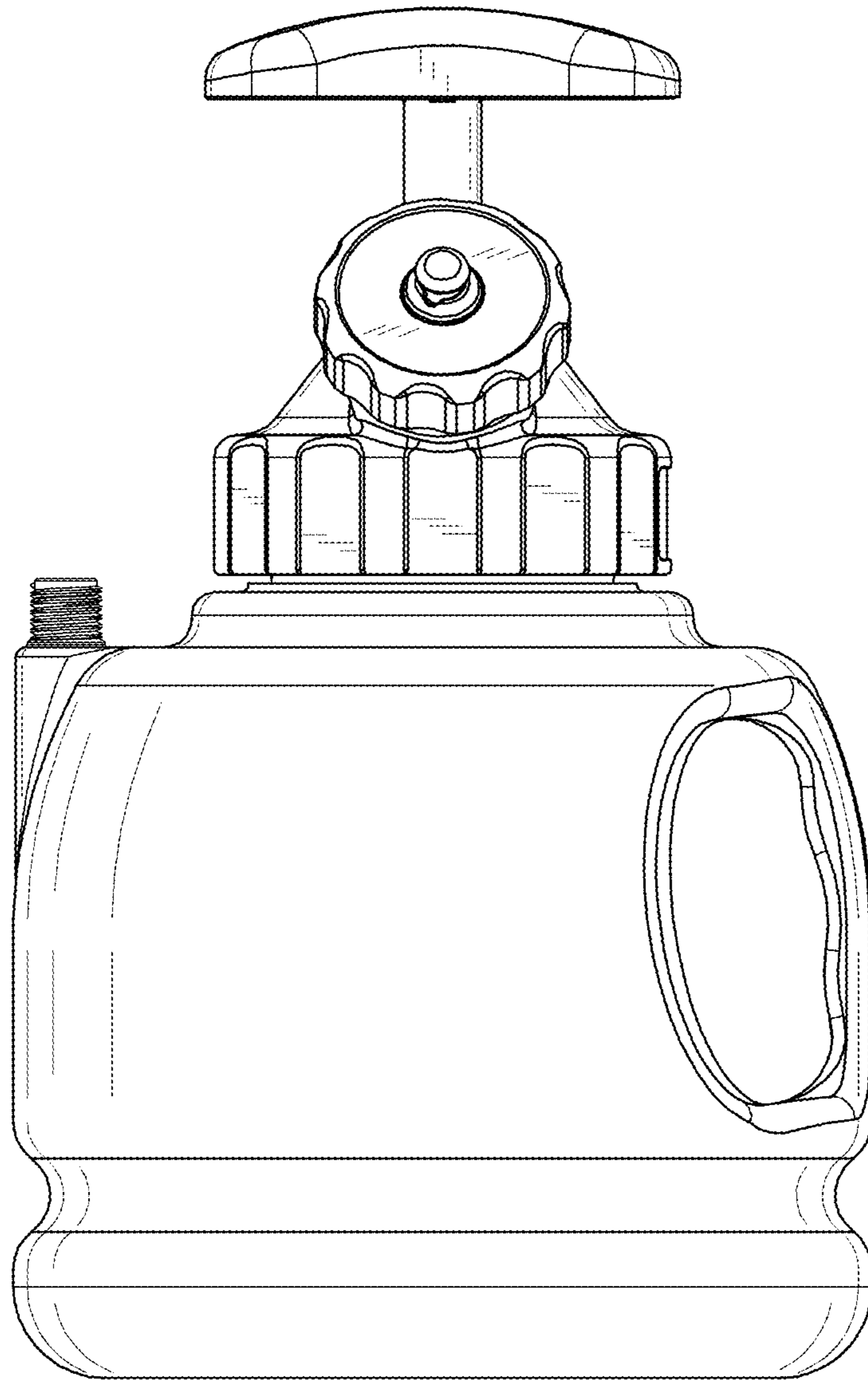


Fig. 4

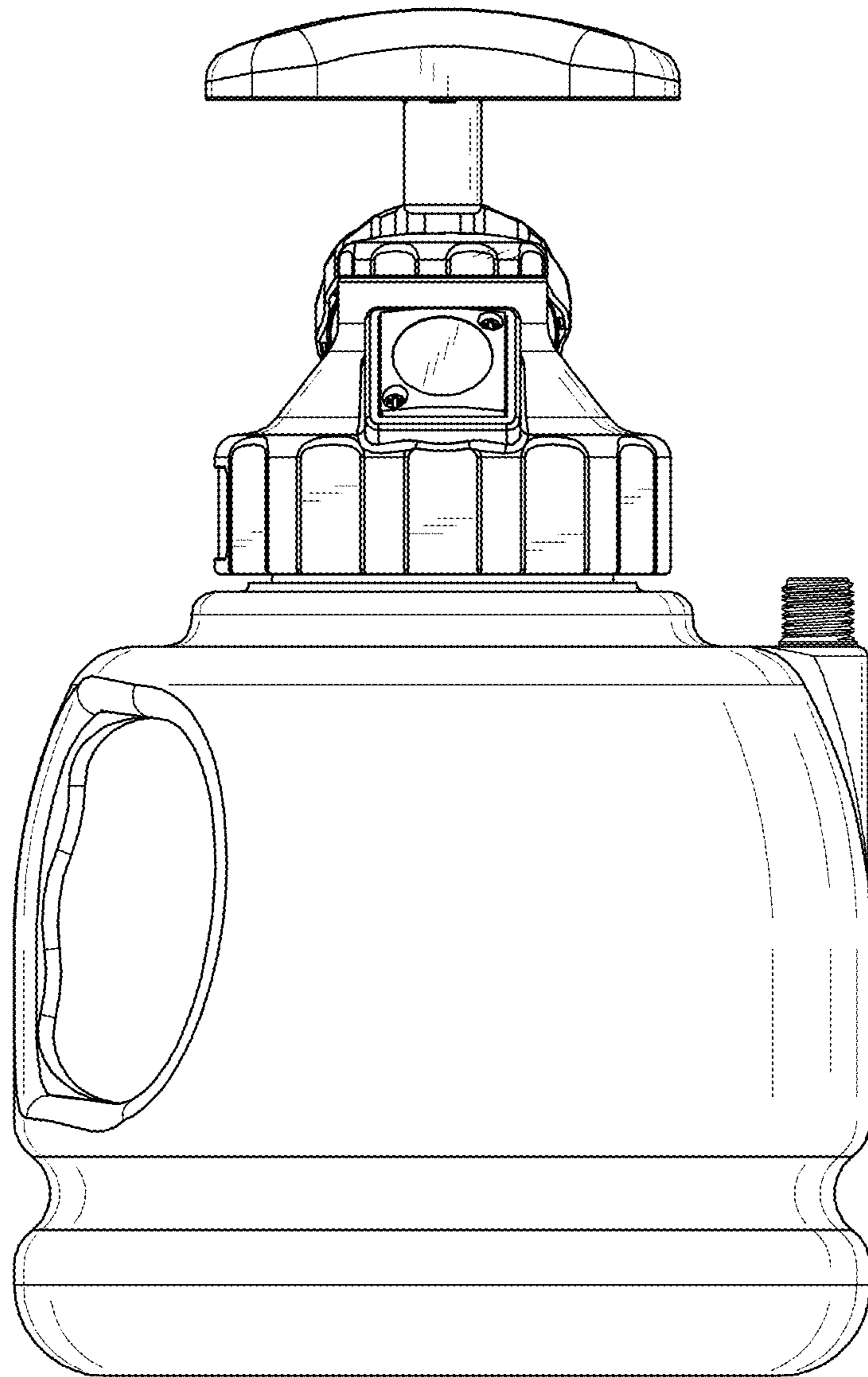


Fig. 5

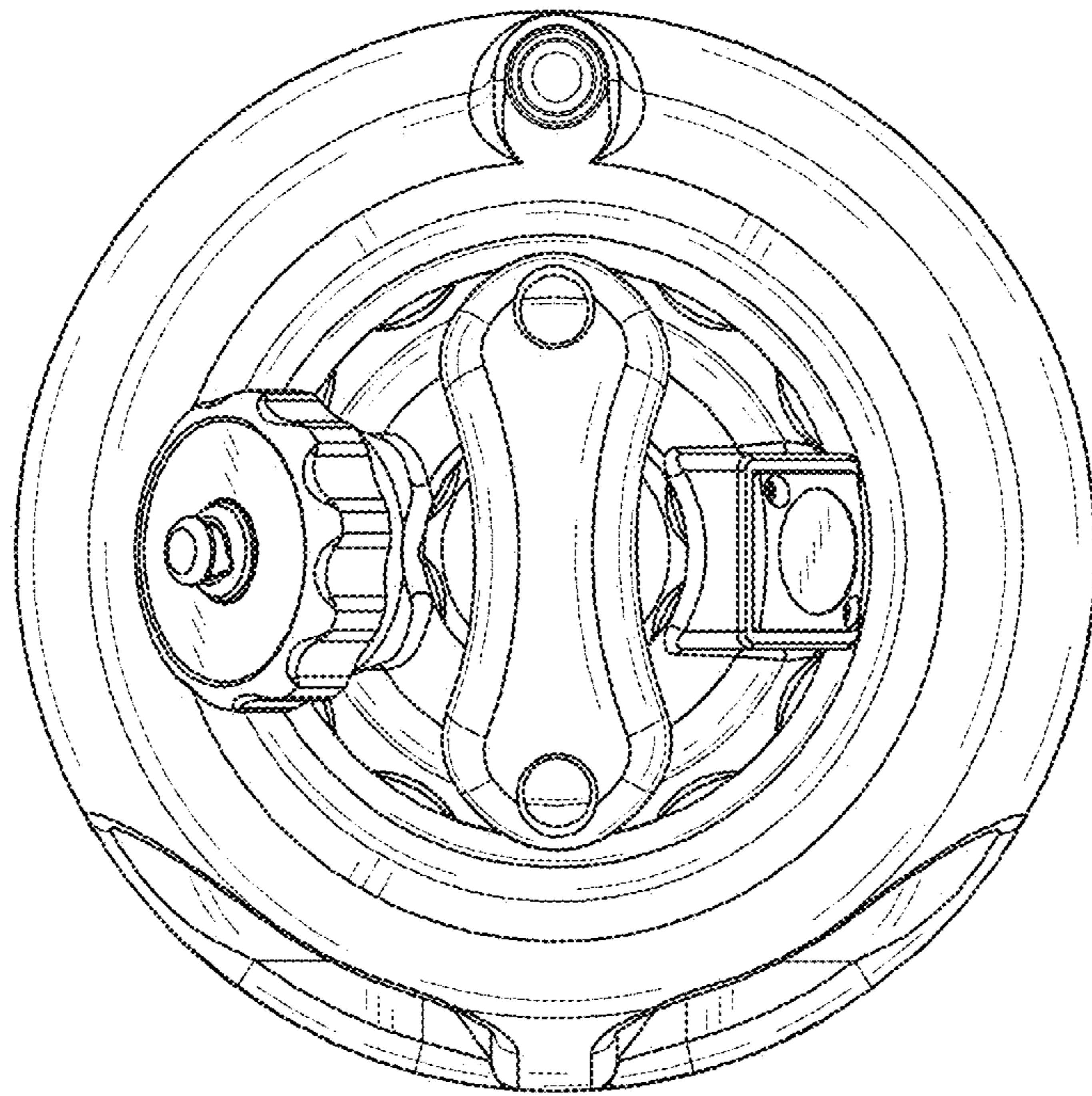


Fig. 6