



US00D948663S

(12) **United States Design Patent**
Cran et al.

(10) **Patent No.:** **US D948,663 S**
(45) **Date of Patent:** **** Apr. 12, 2022**

- (54) **BIDET**
- (71) Applicant: **MAKE GREAT SALES LIMITED,**
Wan Chai (HK)
- (72) Inventors: **Bruce Peter Cran,** Ho Chi Minh (VN);
Kin Choi Lee, Wanchai (HK)
- (73) Assignee: **Make Great Sales Limited,** Hong
Kong (HK)
- (**) Term: **15 Years**
- (21) Appl. No.: **29/755,852**
- (22) Filed: **Oct. 23, 2020**
- (51) **LOC (13) Cl.** **23-01**
- (52) **U.S. Cl.**
USPC **D23/223**
- (58) **Field of Classification Search**
USPC D23/213, 223, 224, 226, 228, 229, 238,
D23/239, 240, 241, 242, 250
CPC B05B 1/16; B05B 1/1618; B05B 1/18;
E03C 1/0401; E03C 1/0405; E03C
1/0408; E03C 1/066; E03C 2001/0415
See application file for complete search history.

(56) **References Cited**

U.S. PATENT DOCUMENTS

- 4,510,630 A * 4/1985 Osgood E03D 9/085
4/420.1
- 4,596,058 A * 6/1986 Nourbakhsh E03D 9/085
4/420.1
- 4,907,744 A * 3/1990 Jousson A61C 17/0202
137/625.44
- 5,097,540 A * 3/1992 Lovitt A61M 3/0254
4/443
- D343,447 S * 1/1994 Thaler D23/295
- D407,312 S * 3/1999 Shanklin D9/447
- D444,846 S * 7/2001 Cross D23/213
- D533,963 S * 12/2006 Boyne D28/7

- D545,403 S * 6/2007 Kemp D23/213
 - D592,730 S * 5/2009 Restive D23/213
 - D638,911 S * 5/2011 Laski D23/213
- (Continued)

OTHER PUBLICATIONS

BLAUX Electric Portable Bidet Sprayer, Dec. 15, 2020, Amazon,
site visited Nov. 1, 2021: <https://www.amazon.com/dp/B08QN5HRKK/> (Year: 2020).*

(Continued)

Primary Examiner — Jack Reickel
Assistant Examiner — Bobby W Jones, II
(74) *Attorney, Agent, or Firm* — Onello & Mello, LLP

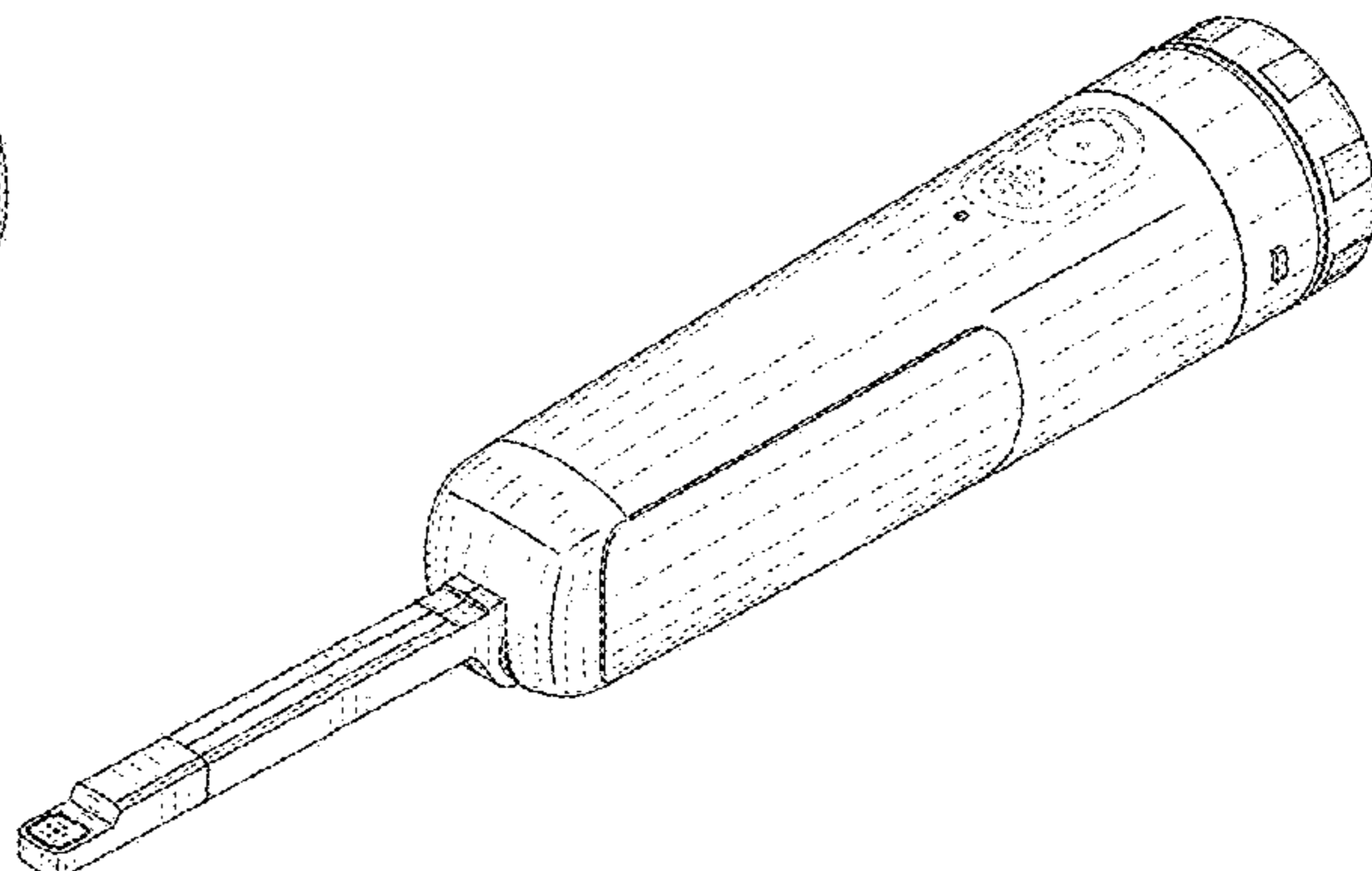
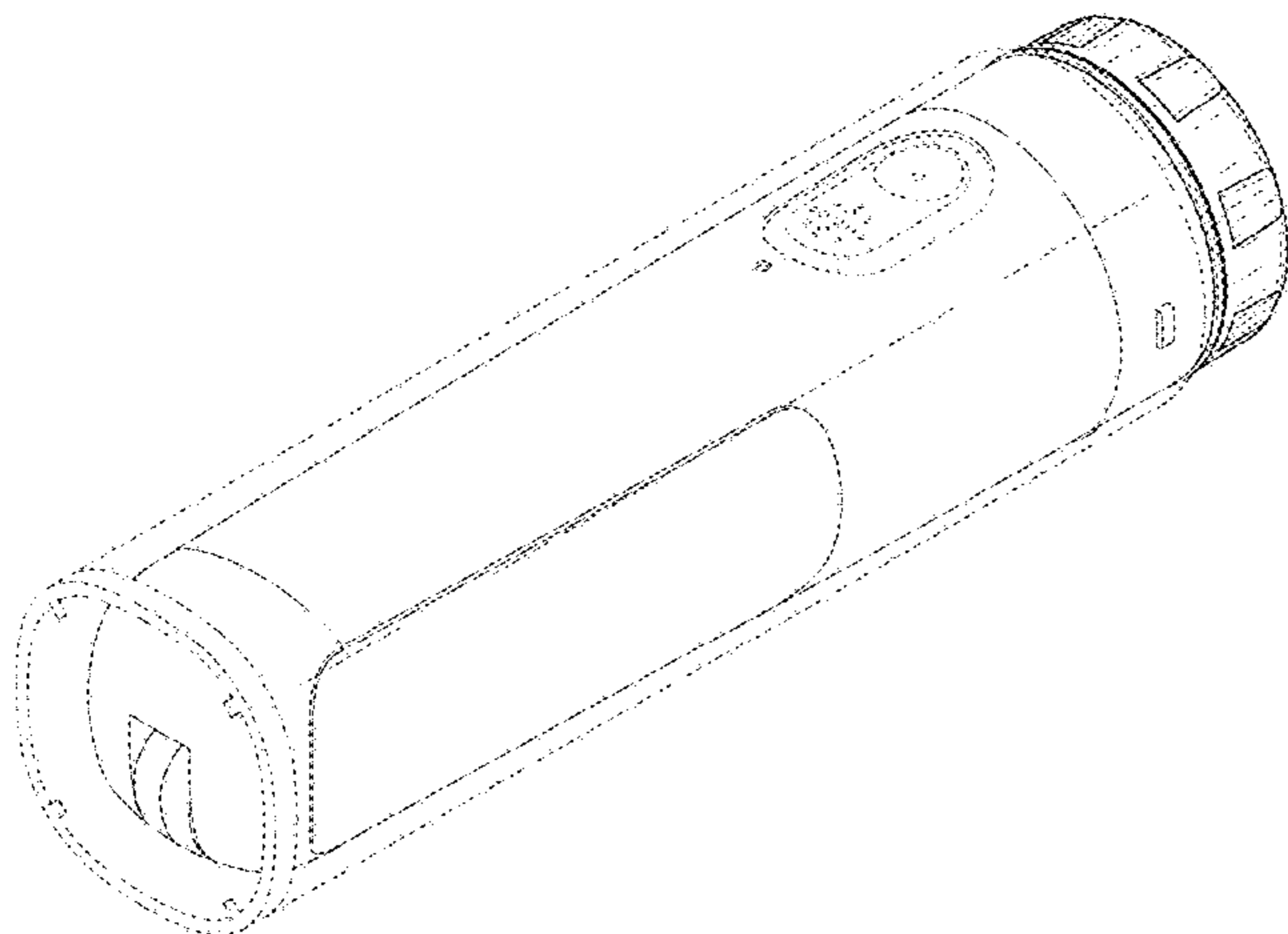
(57) **CLAIM**

The ornamental design for a bidet, as shown.

DESCRIPTION

FIG. 1 is a perspective view of an embodiment of a bidet in a closed state with its cover on, in accordance with the design;
FIG. 2 is right-side view of the bidet of FIG. 1;
FIG. 3 is a left-side view of the bidet of FIG. 1;
FIG. 4 is a top view of the bidet of FIG. 1;
FIG. 5 is a bottom view of the bidet of FIG. 1;
FIG. 6 is a front view of the bidet of FIG. 1;
FIG. 7 is a rear view of the bidet of FIG. 1;
FIG. 8 is perspective view of the bidet of FIG. 1 in an open state with the cover removed;
FIG. 9 is a top view of the bidet of FIG. 8;
FIG. 10 is a bottom view of the bidet of FIG. 8;
FIG. 11 is a left-side view of the bidet of FIG. 8;
FIG. 12 is a right-side view of the bidet of FIG. 8;
FIG. 13 is a front view of the bidet of FIG. 8; and,
FIG. 14 is rear view of the bidet of FIG. 8.
The dashed broken line(s) define unclaimed subject matter and form no part of the claimed design.

1 Claim, 7 Drawing Sheets



(56)

References Cited

U.S. PATENT DOCUMENTS

8,113,832 B2 * 2/2012 Snyder A61C 17/0202
433/80
D736,577 S * 8/2015 Goodwin D8/2
D769,412 S * 10/2016 Henshaw D23/223
D852,593 S * 7/2019 Goodwin D8/2
D875,210 S * 2/2020 Thurgood D23/223
D895,107 S * 9/2020 Zhang D24/121
D909,533 S * 2/2021 Zhang D23/213
D915,574 S * 4/2021 Levinson D23/360
D933,163 S * 10/2021 Kuo D23/223
2007/0061956 A1 * 3/2007 Yu E03D 9/085
4/443
2011/0302709 A1 * 12/2011 Taylor A61M 3/0208
4/443

2013/0326803 A1 * 12/2013 Maleki A61M 3/025
4/448
2015/0265821 A1 * 9/2015 Shi B05B 11/3081
604/289
2016/0250651 A1 * 9/2016 Ayers B05B 12/002
239/391

OTHER PUBLICATIONS

Portable Travel Bidet by GUSTYLE, Aug. 8, 2017, Amazon, site visited Nov. 1, 2021: <https://www.amazon.com/dp/B074V4YYNY/> (Year: 2017).*
Hibbent Portable Bidet Handy Toilette, Nov. 14, 2019, Amazon, site visited Nov. 1, 2021: <https://www.amazon.com/dp/B07LBV1QG5/> (Year: 2019).*

* cited by examiner

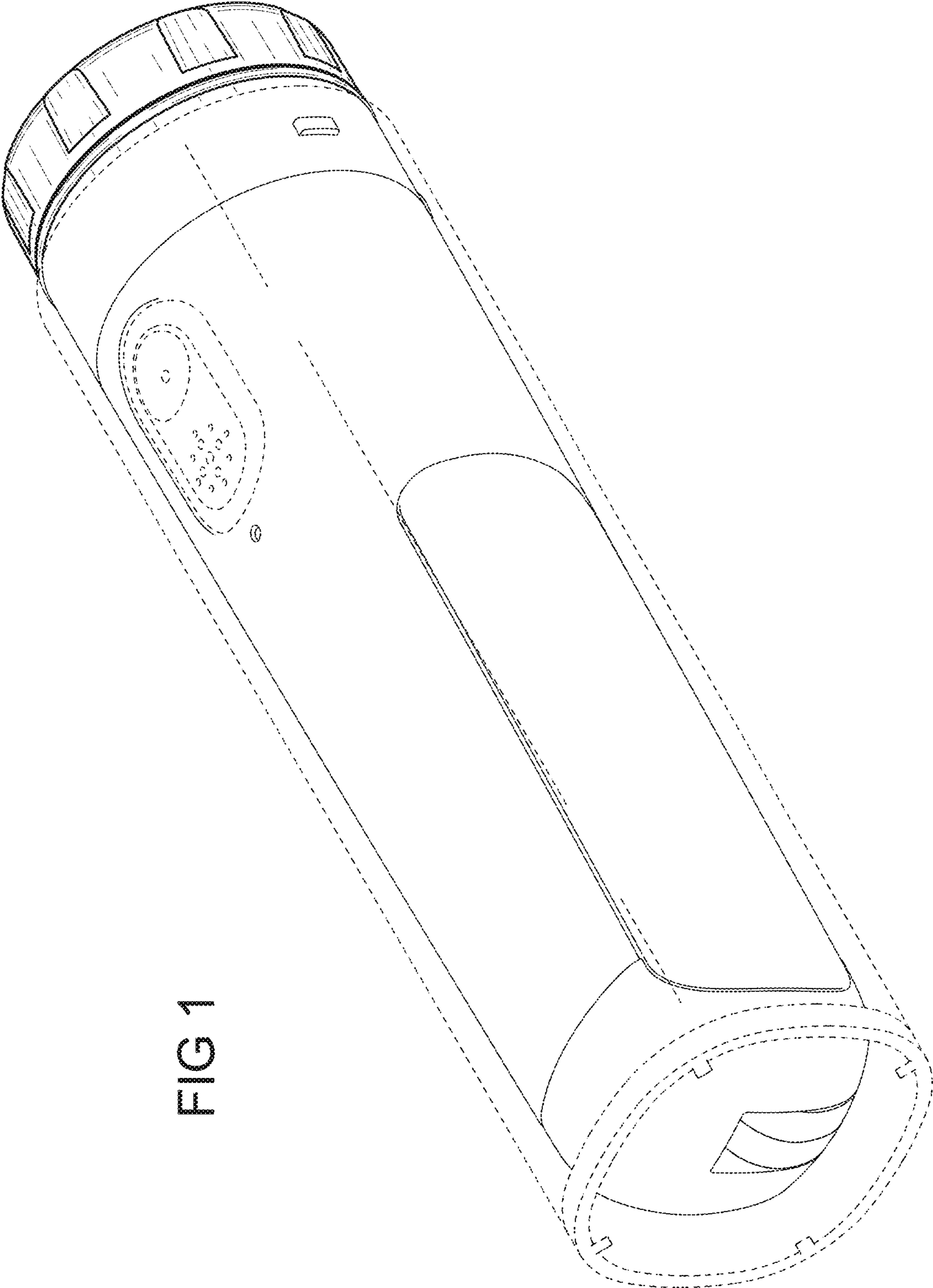


FIG 1

FIG 2

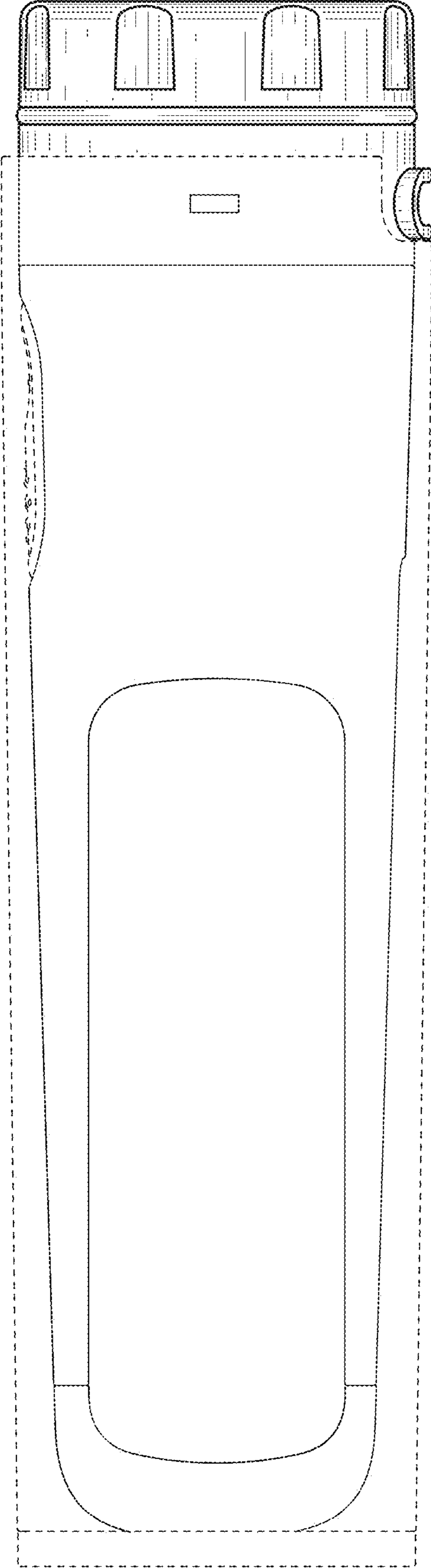


FIG 3

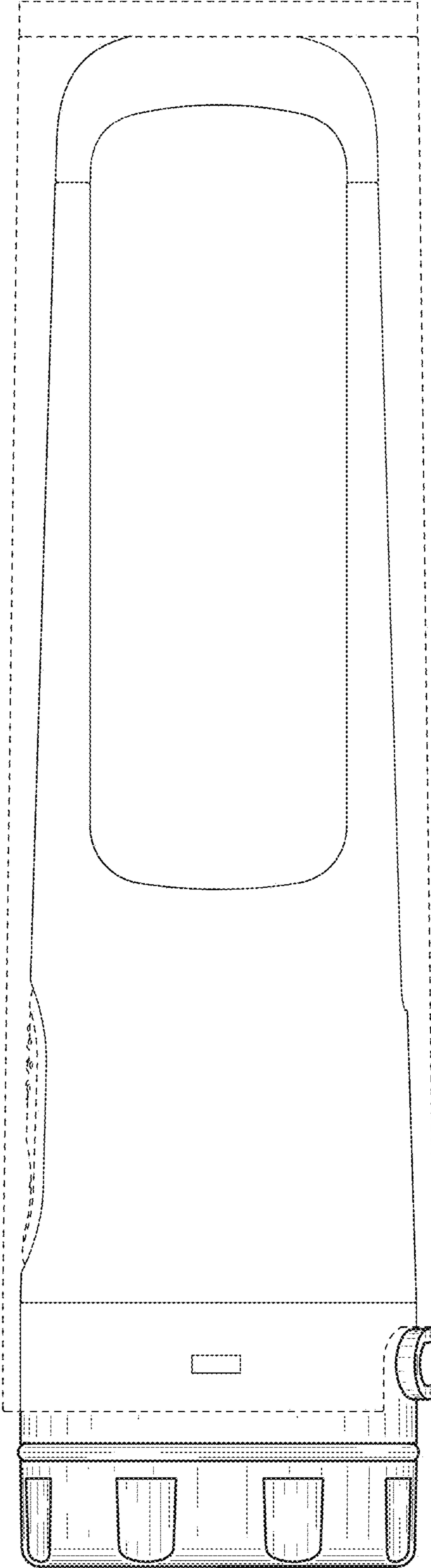


FIG 4

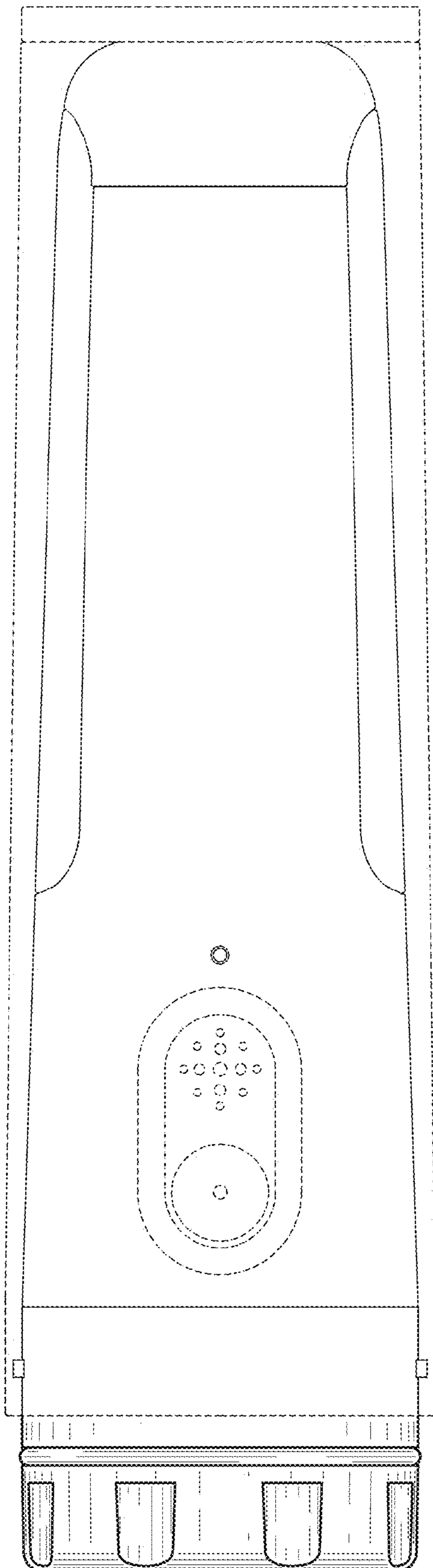


FIG 5

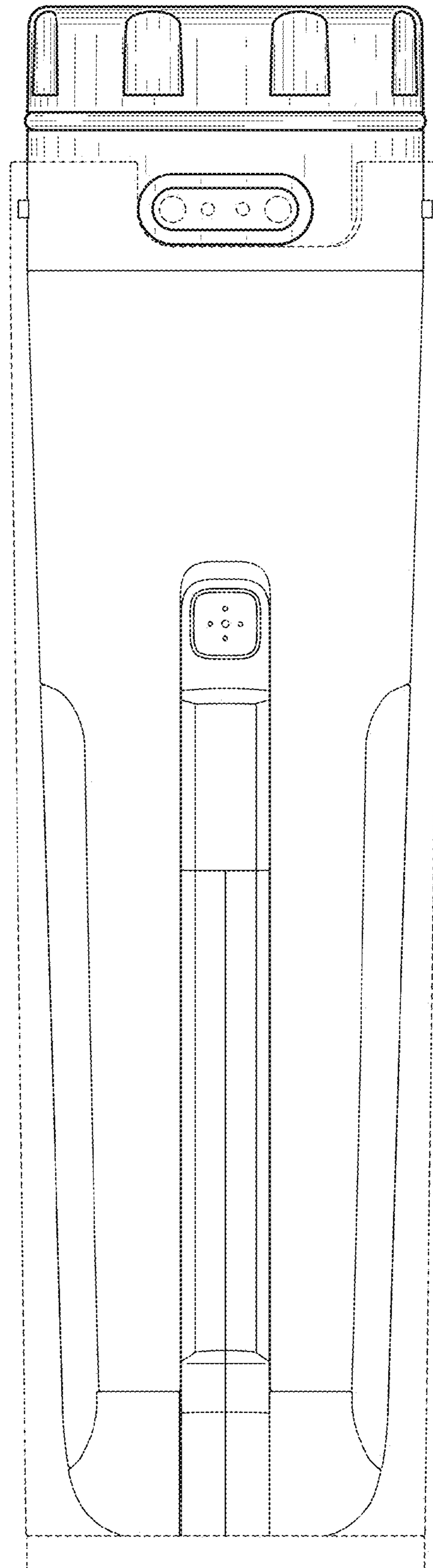


FIG 6

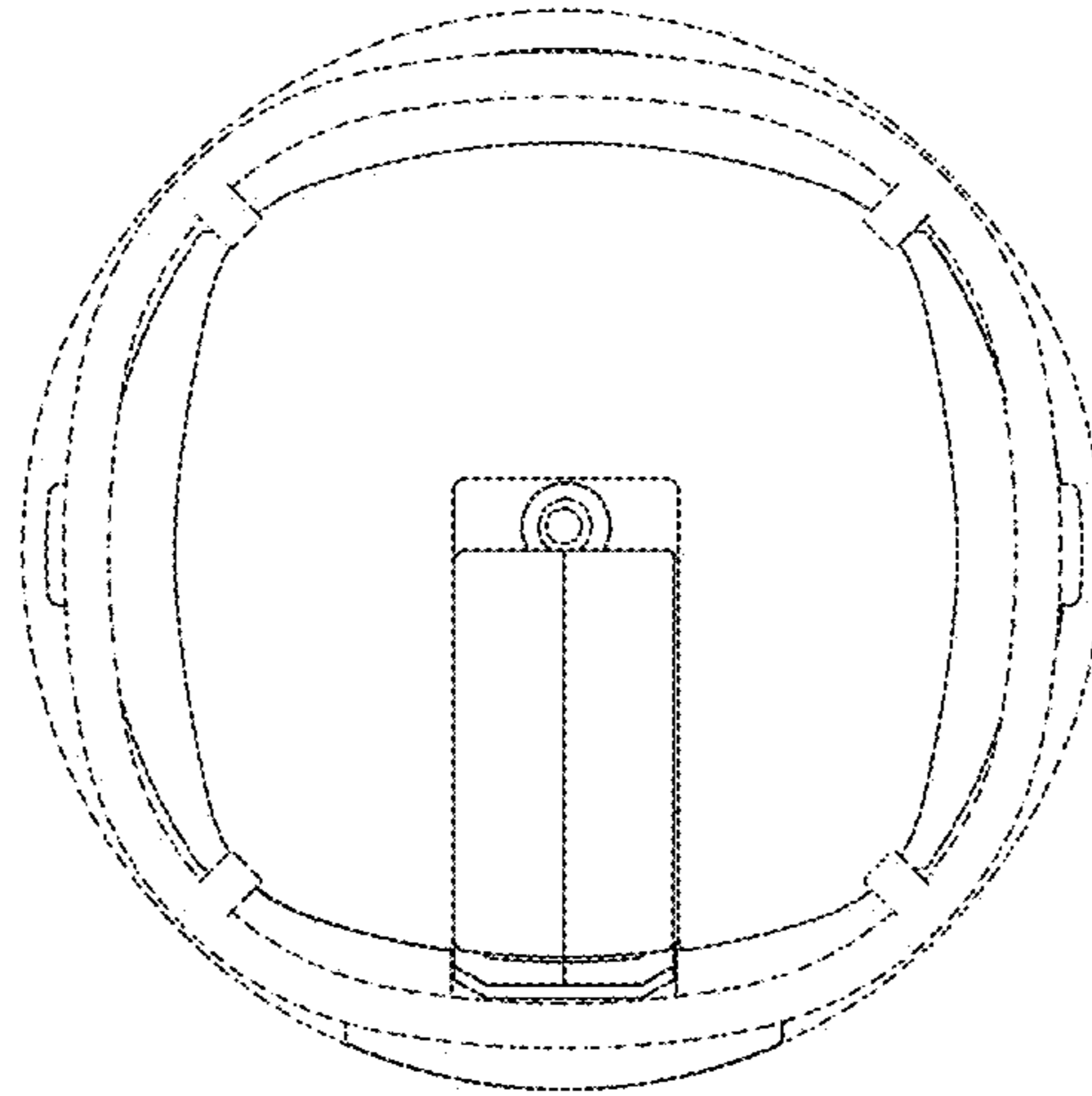
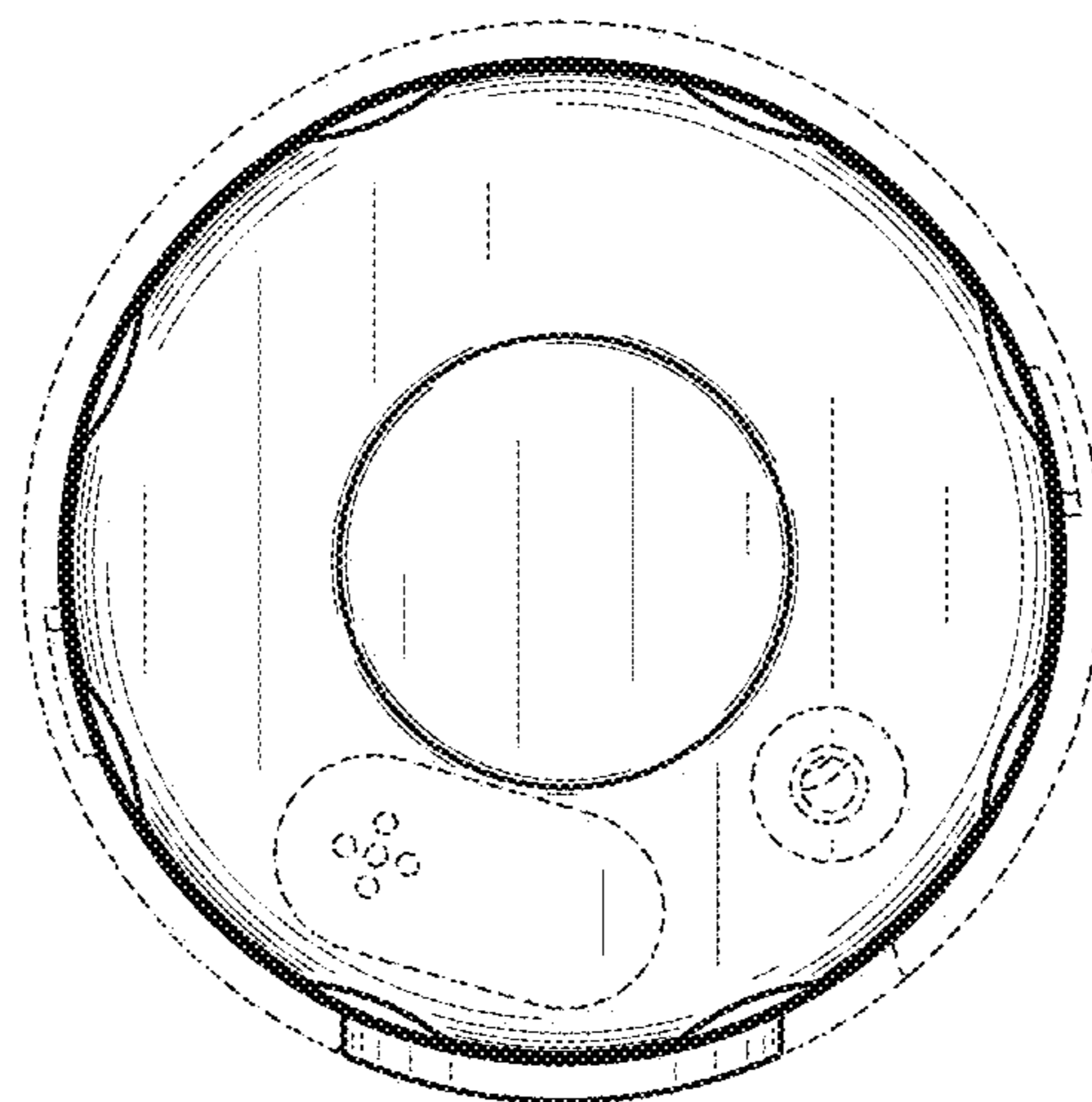


FIG 7



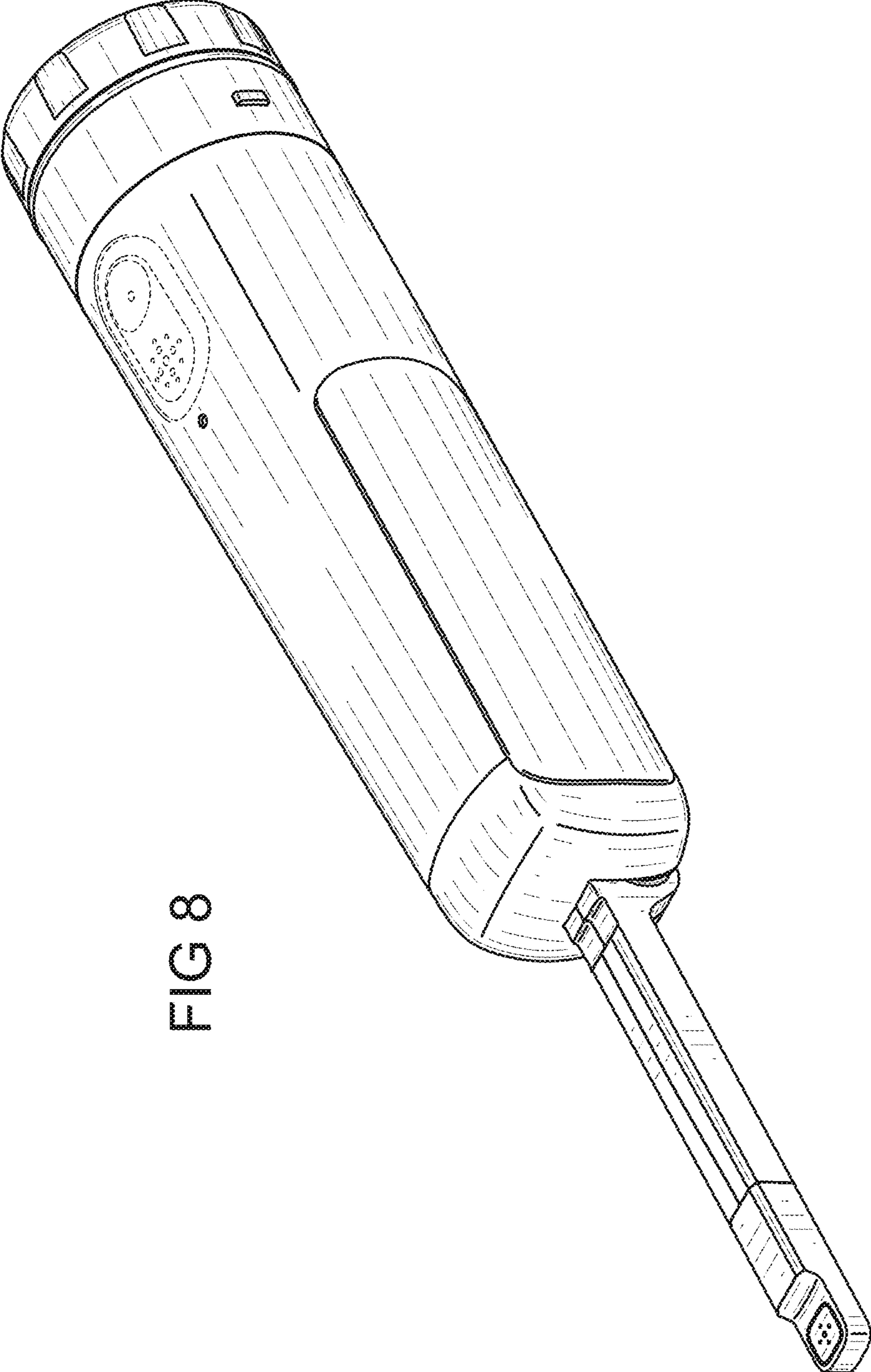


FIG 8

FIG 9

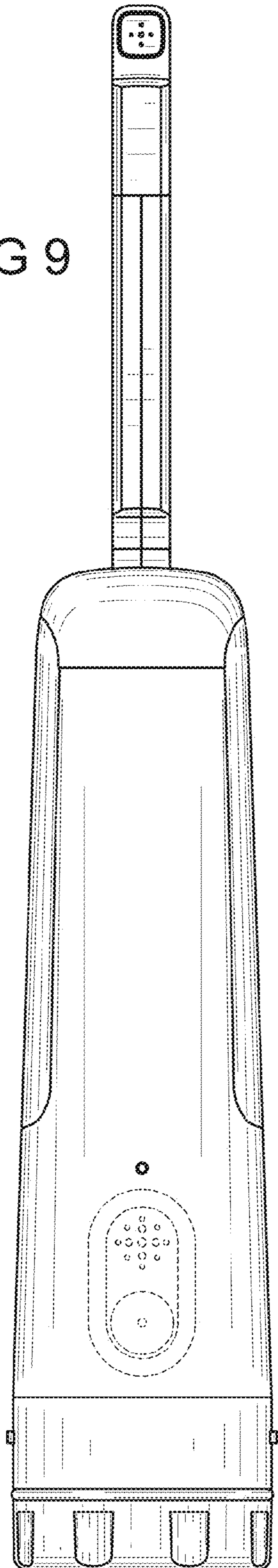


FIG 10

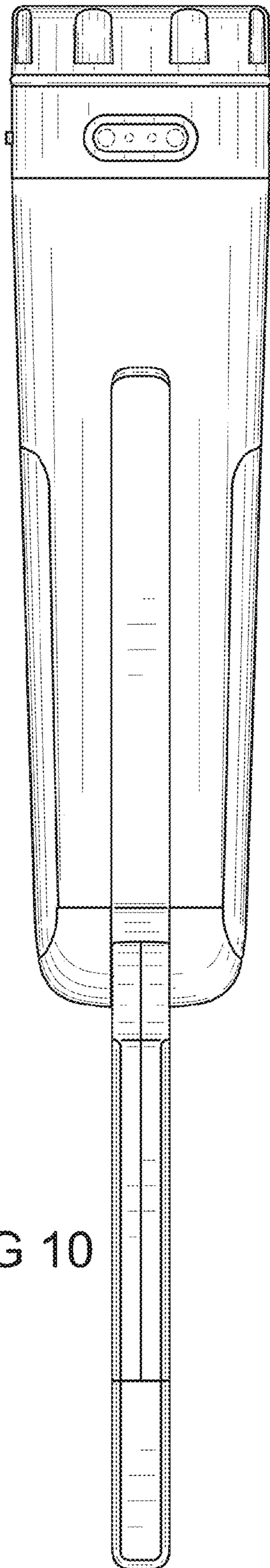


FIG 11

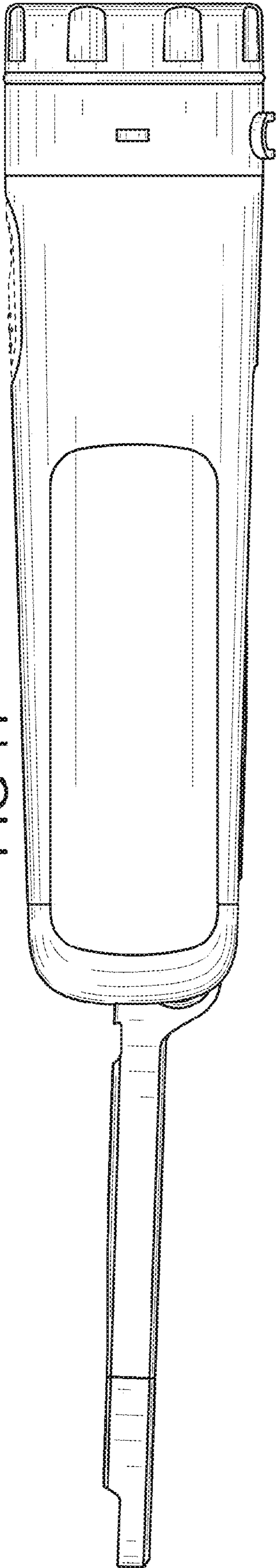


FIG 12

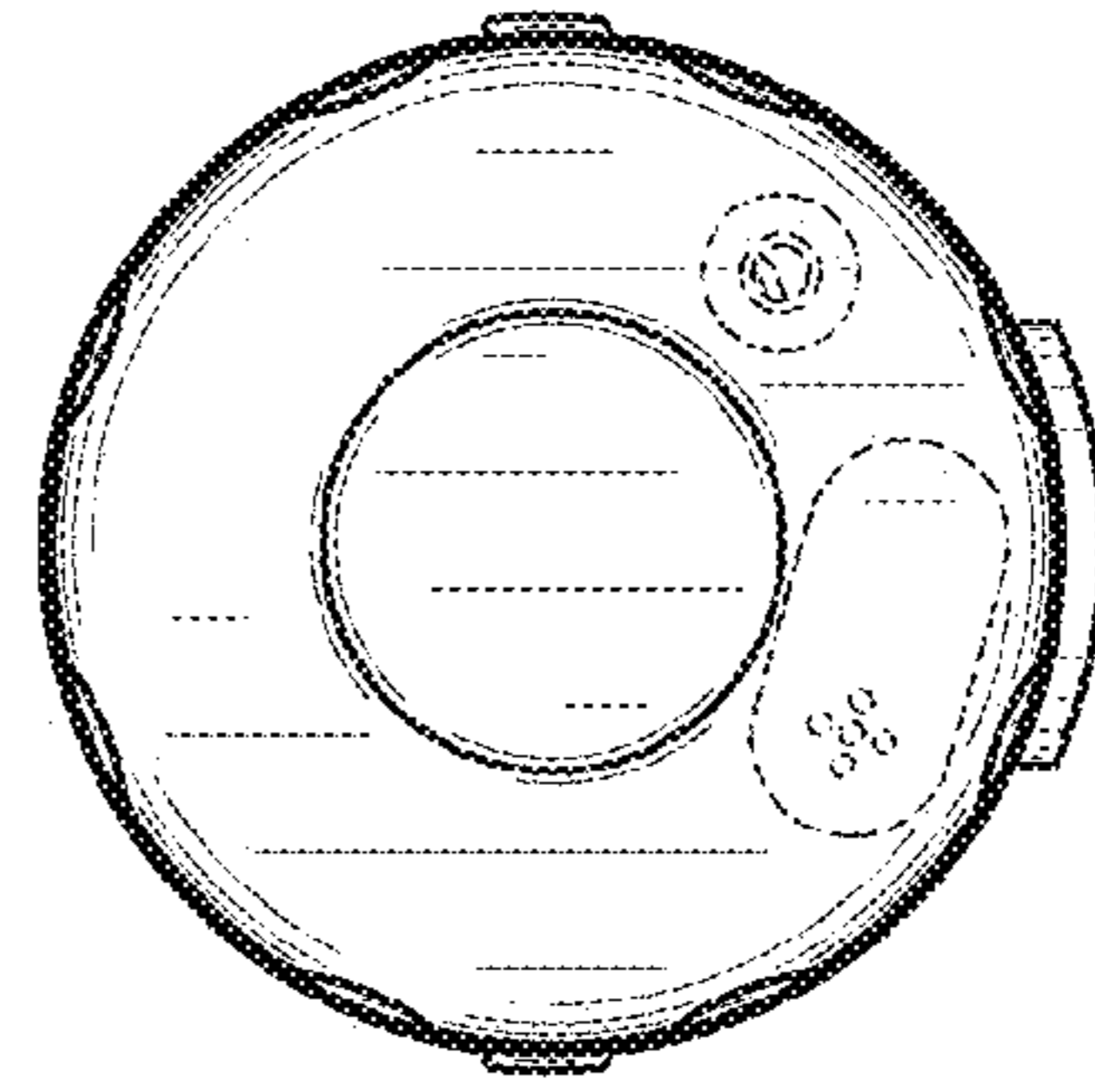
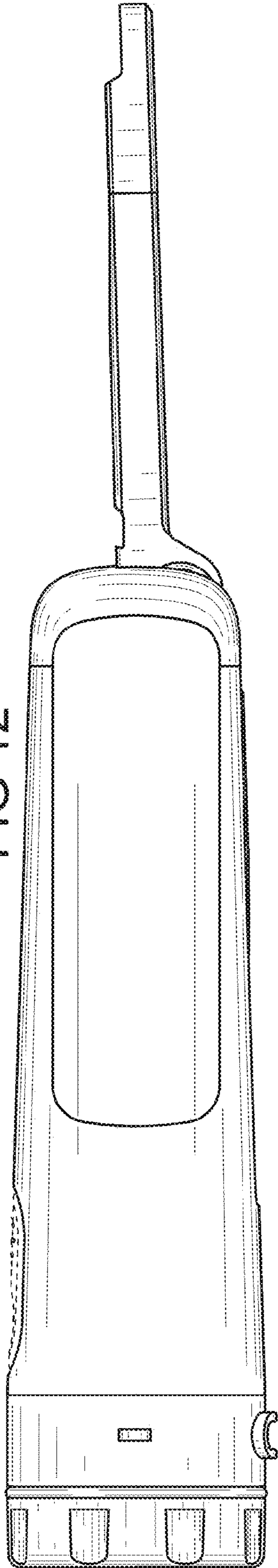


FIG 14

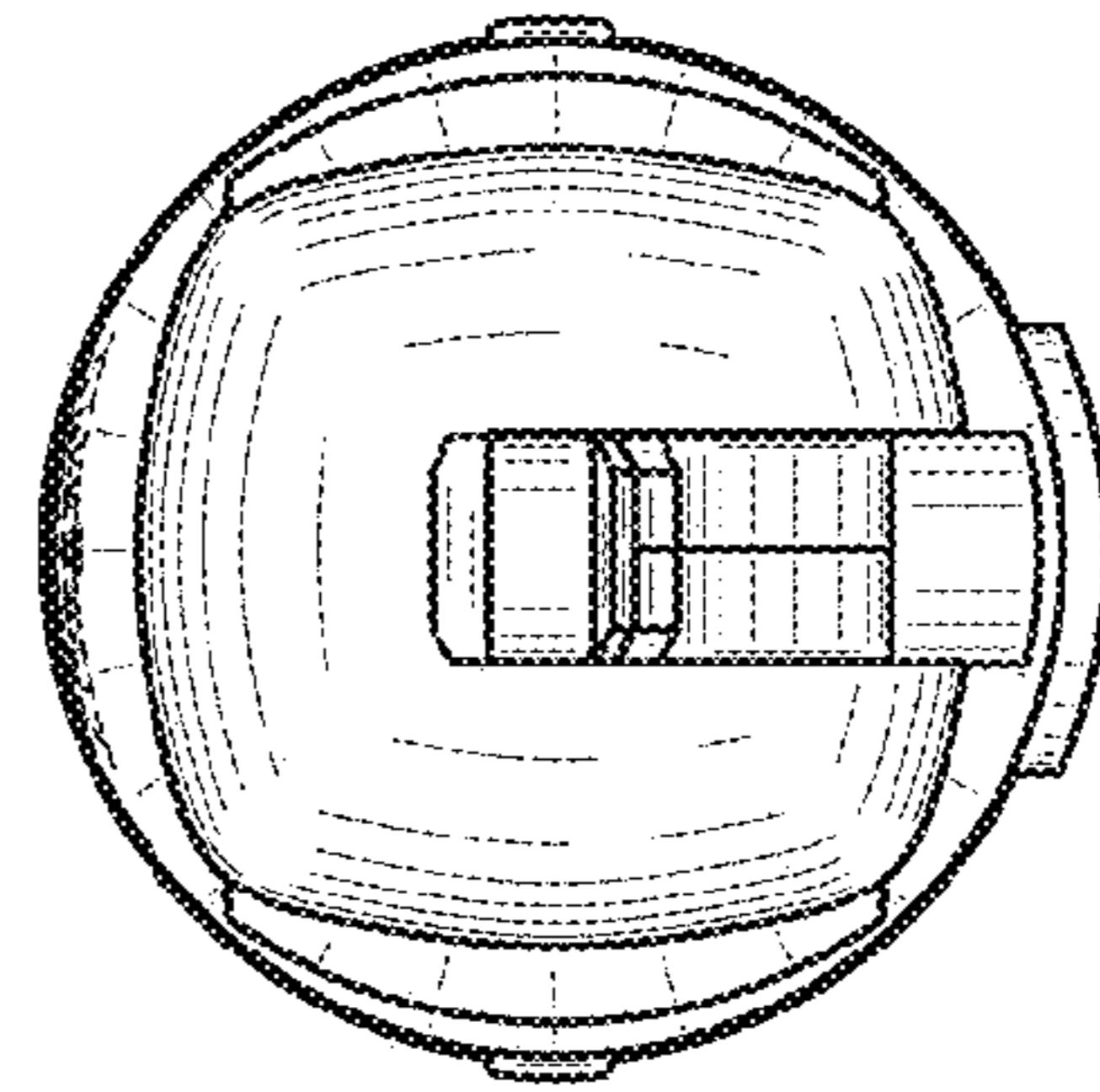


FIG 13