



US00D948661S

(12) **United States Design Patent**
Zou

(10) **Patent No.:** **US D948,661 S**
(45) **Date of Patent:** **** Apr. 12, 2022**

(54) **WATER FILTER**

(71) Applicant: **Qingdao Ecopure Filter Co., Ltd.**,
Qingdao (CN)
(72) Inventor: **Zhibin Zou**, Qingdao (CN)
(73) Assignee: **QINGDAO ECOPURE FILTER CO., LTD.**,
Qingdao (CN)
(**) Term: **15 Years**

(21) Appl. No.: **29/741,295**

(22) Filed: **Jul. 10, 2020**

(51) **LOC (13) Cl.** **23-01**

(52) **U.S. Cl.**
USPC **D23/209**

(58) **Field of Classification Search**
USPC D23/207, 209, 210, 355, 363, 365
CPC B01D 27/00; B01D 29/00; B01D 29/0095;
B01D 35/0276; B01D 35/30; B01D
35/34; B01D 2201/29; B01D 2201/305;
B01D 2221/02; C02F 1/003; C02F
2307/10

See application file for complete search history.

(56) **References Cited**

U.S. PATENT DOCUMENTS

5,914,037 A * 6/1999 Yen B01D 35/153
210/234
5,919,362 A * 7/1999 Barnes B01D 35/30
210/441
D570,951 S * 6/2008 Morita D23/209
D599,880 S * 9/2009 Rampen D23/209
D668,740 S * 10/2012 Kulikov D23/209
D679,779 S * 4/2013 Reid D23/209
9,782,706 B1 * 10/2017 Levy B01D 35/306
D807,988 S * 1/2018 An D23/209

(Continued)

FOREIGN PATENT DOCUMENTS

CN 108704367 A 10/2018
CN 208943627 U 6/2019

OTHER PUBLICATIONS

SimPure Y6 RO Filter, Jul. 13, 2020, Amazon, site visited Feb. 7,
2022: <https://www.amazon.com/dp/B083GZ94D3/> (Year: 2020).*
(Continued)

Primary Examiner — Jack Reickel
Assistant Examiner — Bobby W Jones, II
(74) *Attorney, Agent, or Firm* — Calfee Halter &
Griswold LLP

(57) **CLAIM**

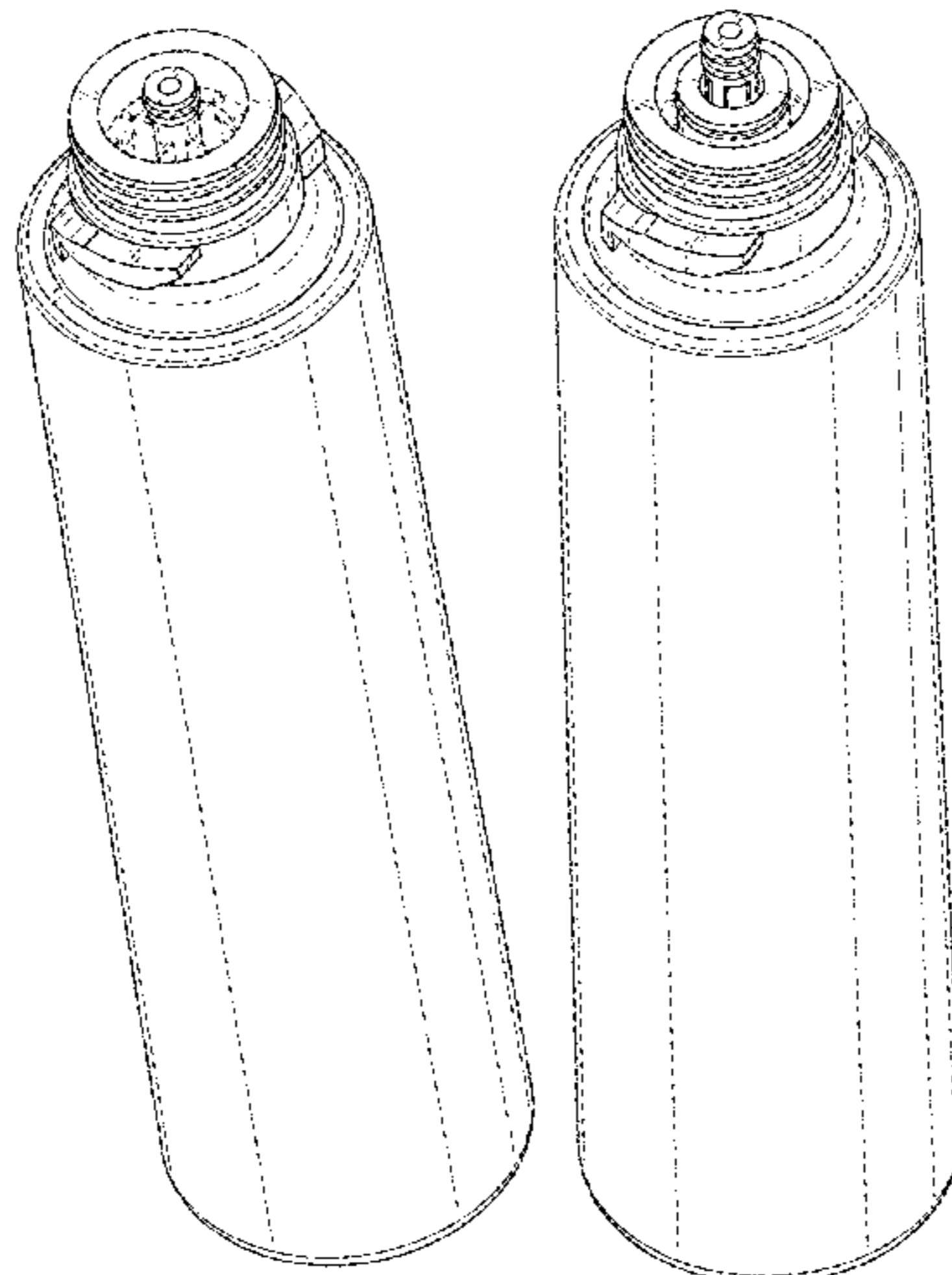
The ornamental design for a water filter, as shown and
described.

DESCRIPTION

FIG. 1 is a line drawing of a top/front/left perspective view
of a water filter of the present design;
FIG. 2 is a right side elevational view thereof;
FIG. 3 is a left side elevational view thereof;
FIG. 4 is a front elevational view thereof;
FIG. 5 is a rear elevational view thereof;
FIG. 6 is a top plan view thereof;
FIG. 7 is a bottom plan view thereof;
FIG. 8 is a line drawings of a top/front/left perspective view
of another embodiment of a water filter of the present
design;
FIG. 9 is a right side elevational view thereof;
FIG. 10 is a left side elevational view thereof;
FIG. 11 is a front elevational view thereof;
FIG. 12 is a rear elevational view thereof;
FIG. 13 is a top plan view thereof; and,
FIG. 14 is a bottom plan view thereof.

The broken line showing of portions of this filter is for the
purpose of illustrating environmental structure and forms no
part of the claimed design. Surface shading has been
included to indicate the surface of the filter is cylindrical.

1 Claim, 10 Drawing Sheets



(56)

References Cited

U.S. PATENT DOCUMENTS

D813,357 S * 3/2018 Bryant D23/209
 D820,948 S * 6/2018 An D23/209
 D831,786 S * 10/2018 Zou D23/209
 D831,788 S * 10/2018 Zou D23/209
 D835,752 S * 12/2018 Spiegel D23/209
 D857,158 S * 8/2019 Zou D23/209
 D857,840 S * 8/2019 Lu D23/209
 D878,517 S * 3/2020 Zou D23/209
 D899,838 S * 10/2020 Zou D7/300.2
 2011/0203985 A1* 8/2011 Reid B01D 35/301
 210/236
 2014/0144824 A1* 5/2014 Shaffer B01D 35/306
 210/232
 2014/0367321 A1* 12/2014 Lee B01D 35/306
 210/232
 2017/0056797 A1* 3/2017 Kang B01D 35/00

2020/0047095 A1* 2/2020 Wei B01D 29/90
 2020/0114285 A1* 4/2020 Courtney B01D 27/08
 2021/0138365 A1* 5/2021 Girondi B01D 35/30

OTHER PUBLICATIONS

Drinkpod 100 Series Value Pack, Dec. 6, 2019, Amazon, site visited Feb. 7, 2022: <https://www.amazon.ca/dp/B082DL6SKH/> (Year: 2019).
 AQUATICLIFE Twist-In 75 GPD Membrane RO, May 25, 2020, Amazon, site visited Feb. 7, 2022: <https://www.amazon.ca/dp/B088K66YQK/> (Year: 2020).
 SimPure VG RO Filter Replacement Cartridge for Countertop Reverse Osmosis Water Filtration System with UV Sterilization, 1st Year Replacement Cartridge (1 Pack); downloaded from amazon.com Jul. 10, 2020 (6 pages).
 SimPure Y6 PP+CTO Filter Replacement Cartridge for Countertop Reverse Osmosis Water Filtration System with UV Sterilization, 3-6 Months Replacement Cartridge (1 Pack); downloaded from amazon.com Jul. 10, 2020 (6 pages).

* cited by examiner

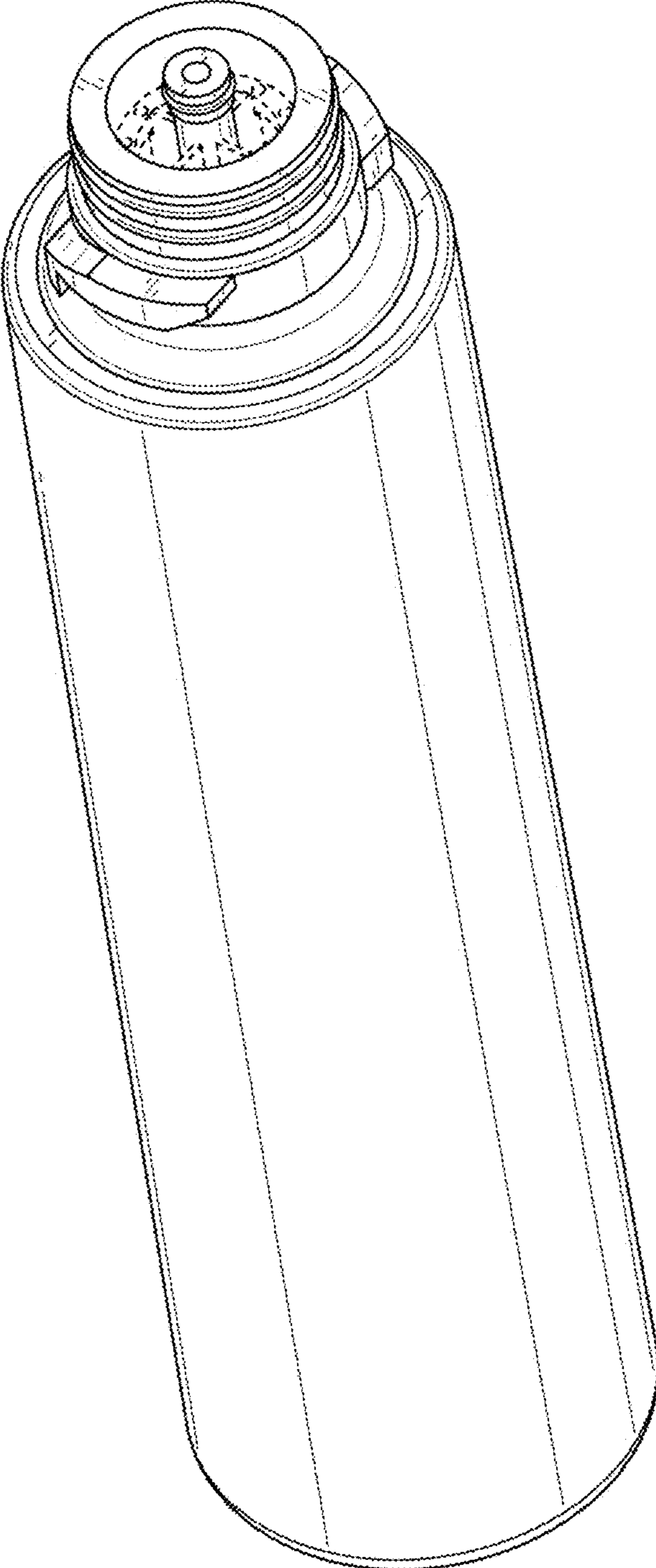


FIG. 1

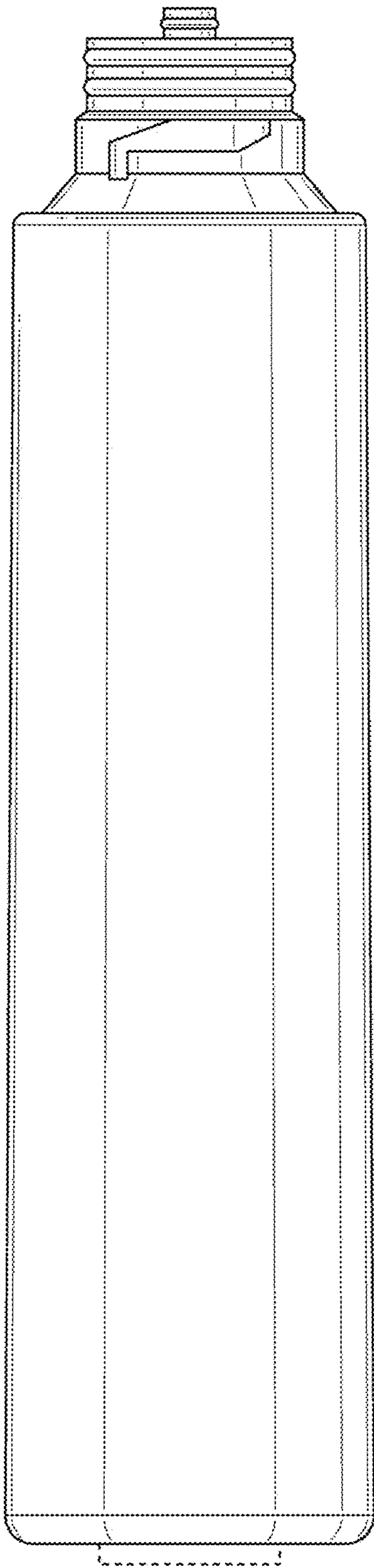


FIG. 2

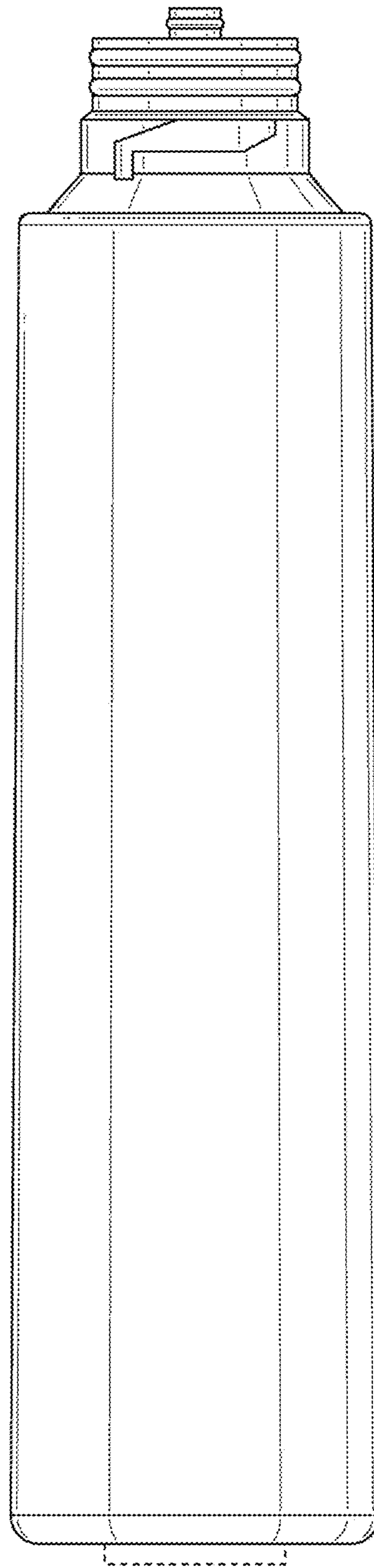


FIG. 3

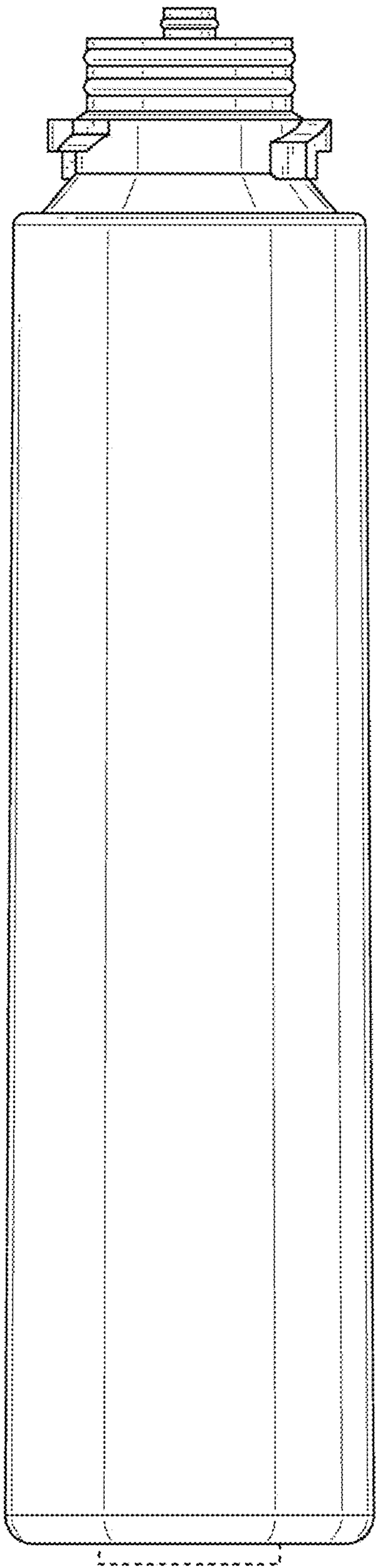


FIG. 4

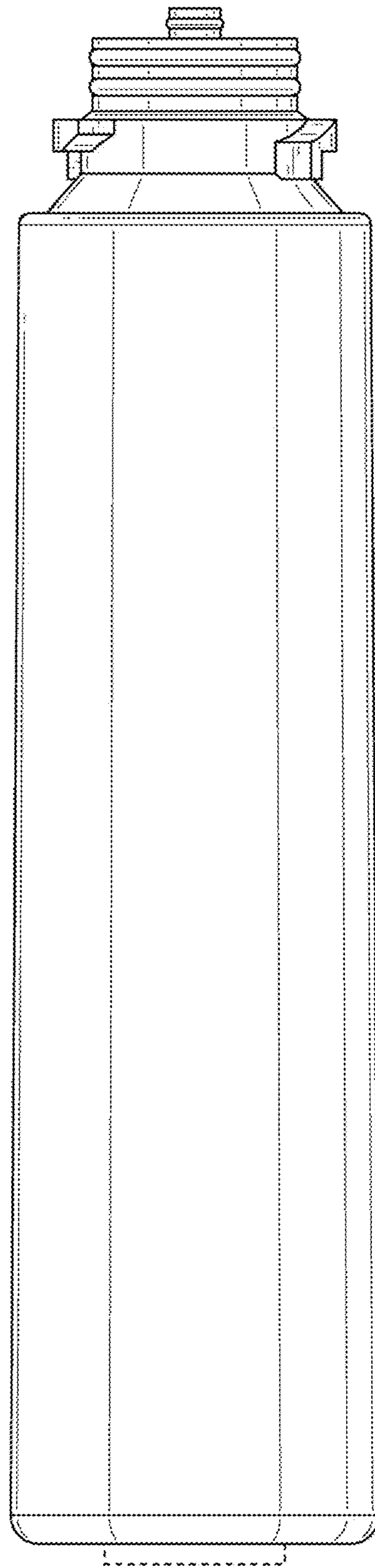


FIG. 5

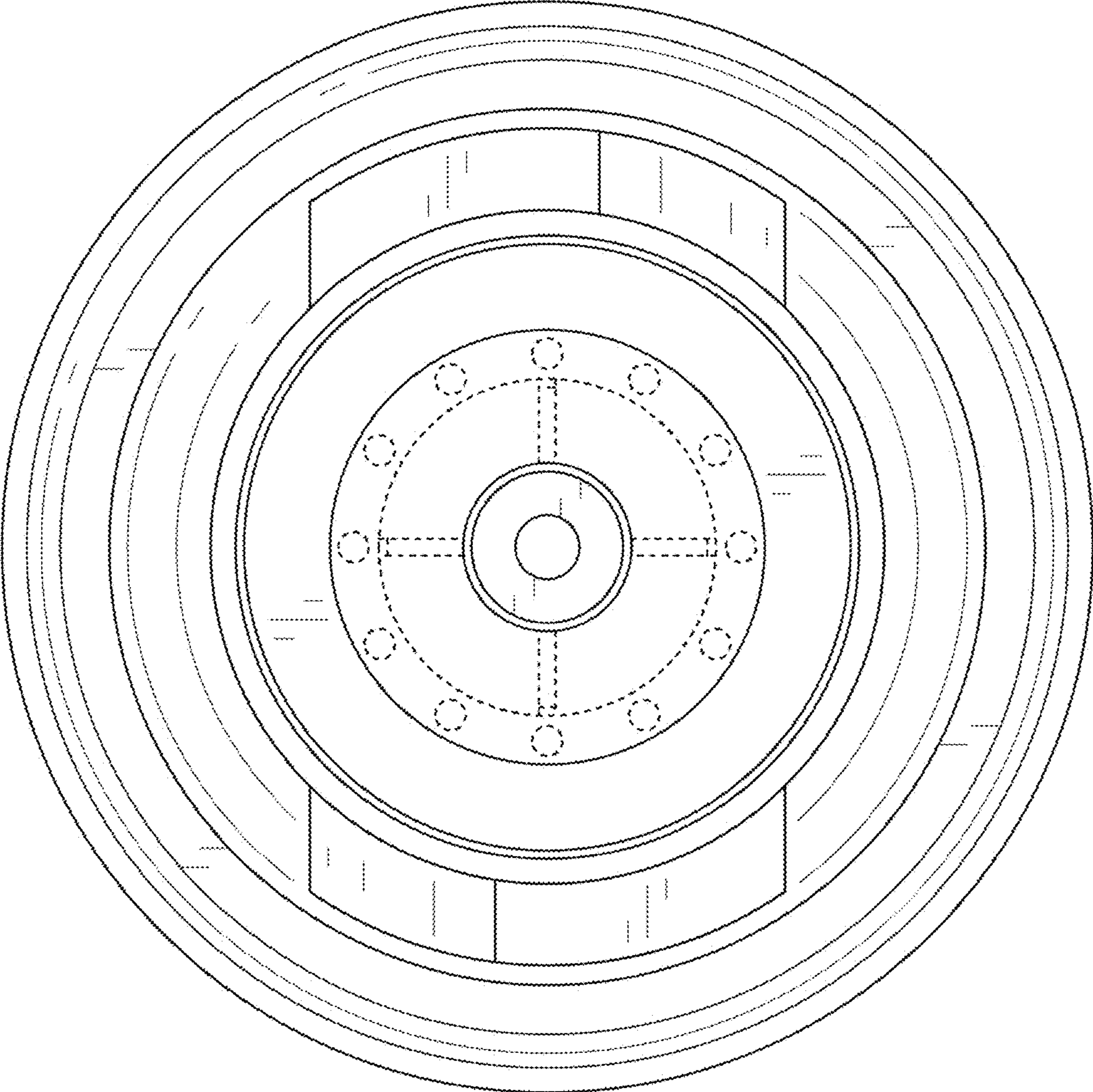


FIG. 6

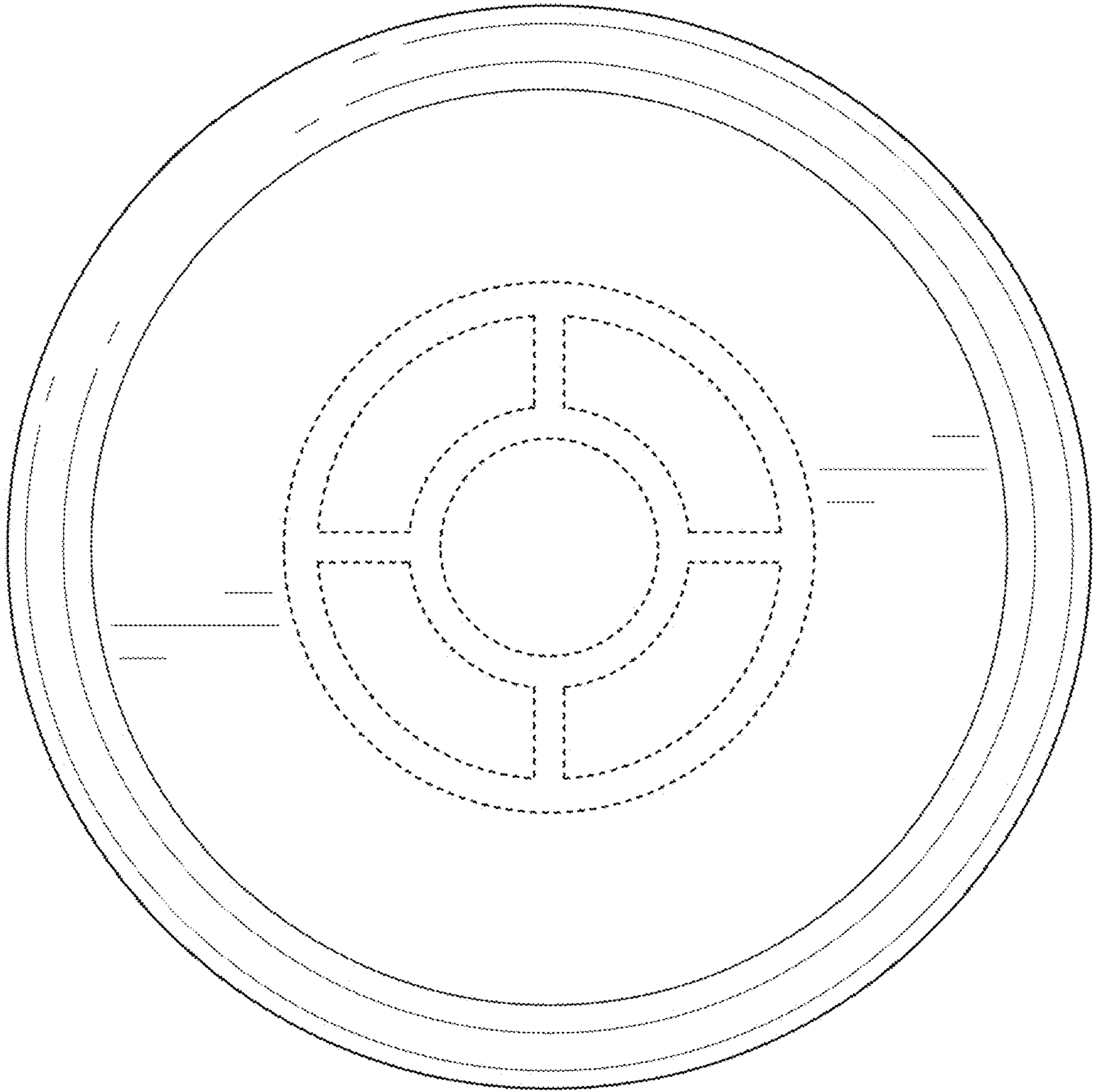


FIG. 7

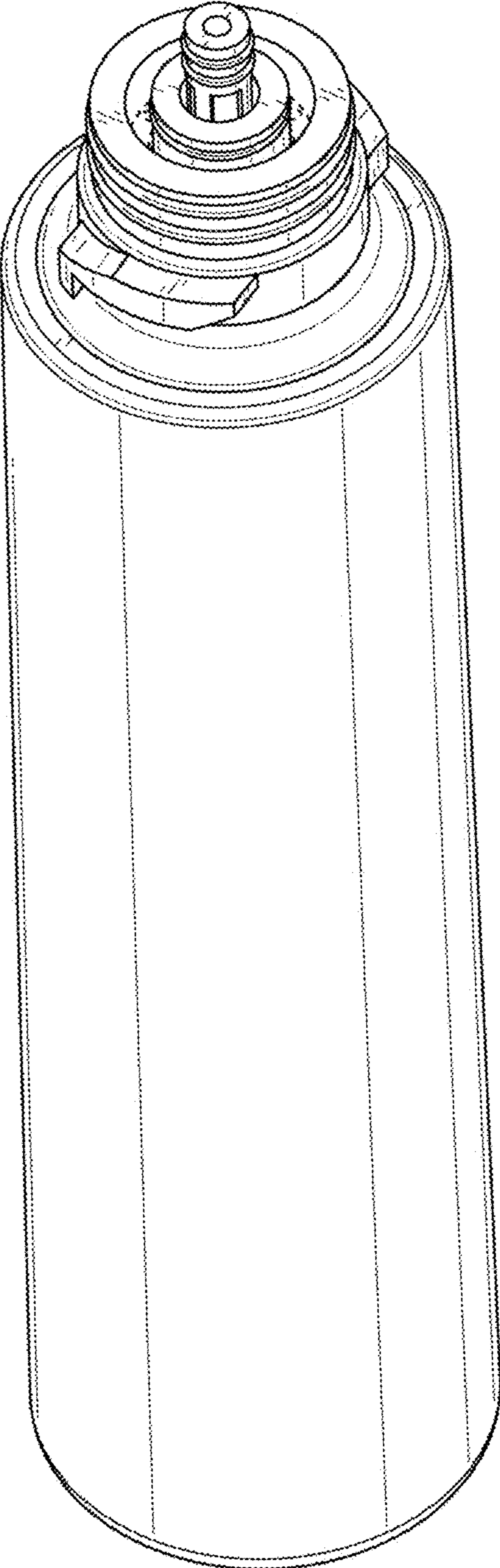


FIG. 8

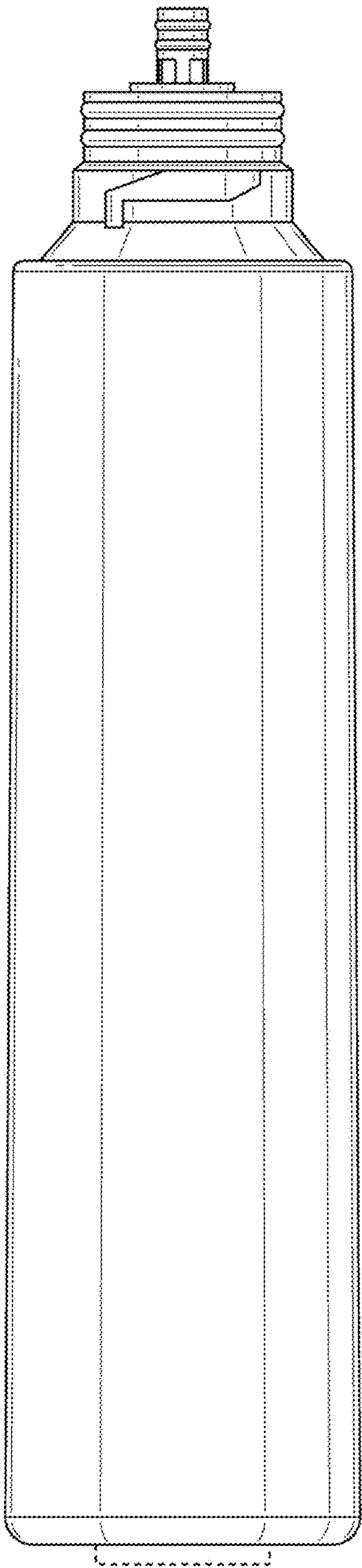


FIG. 9

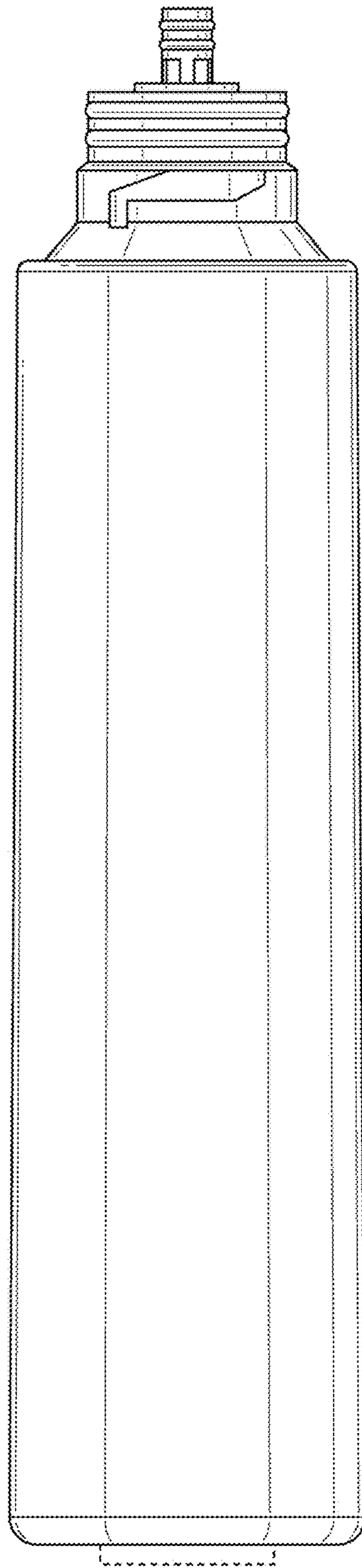


FIG. 10

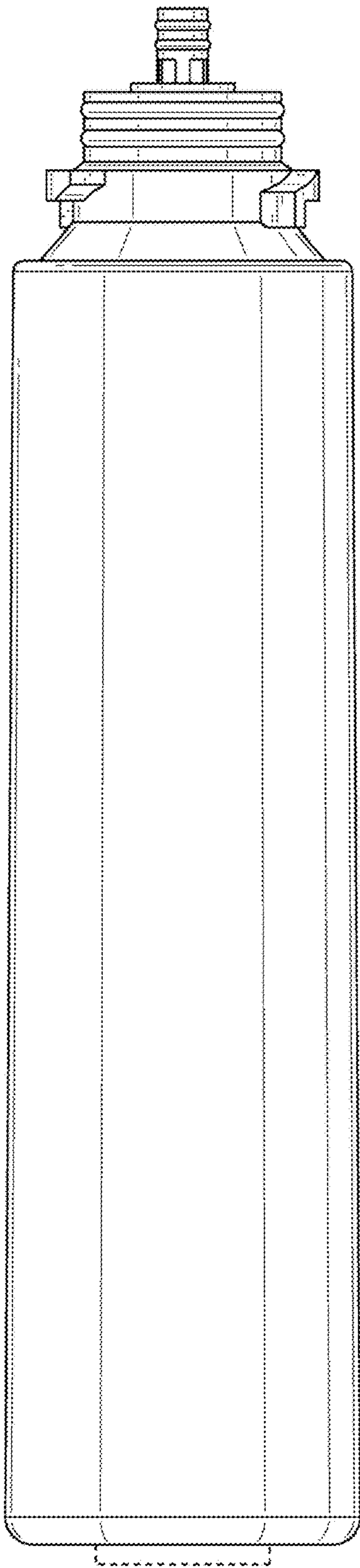


FIG. 11

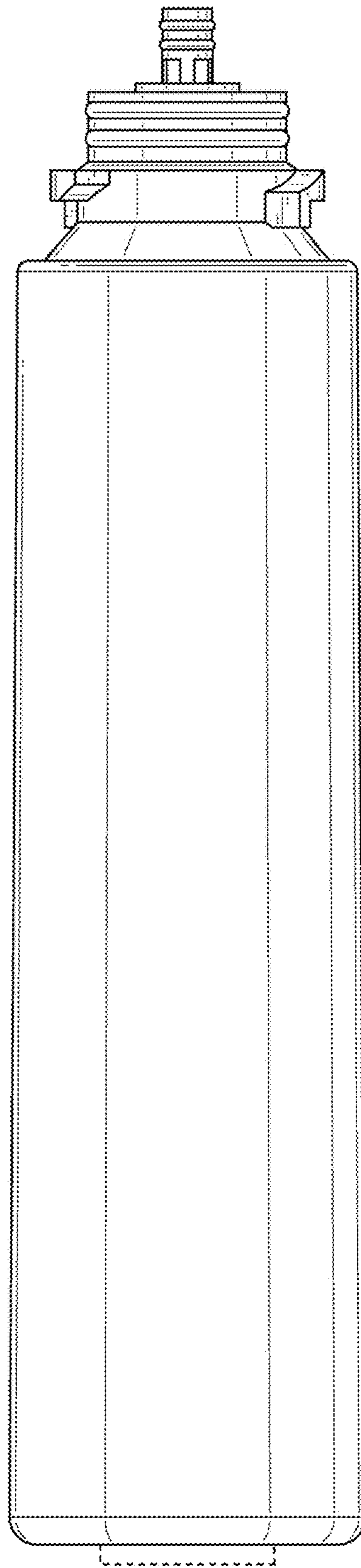


FIG. 12

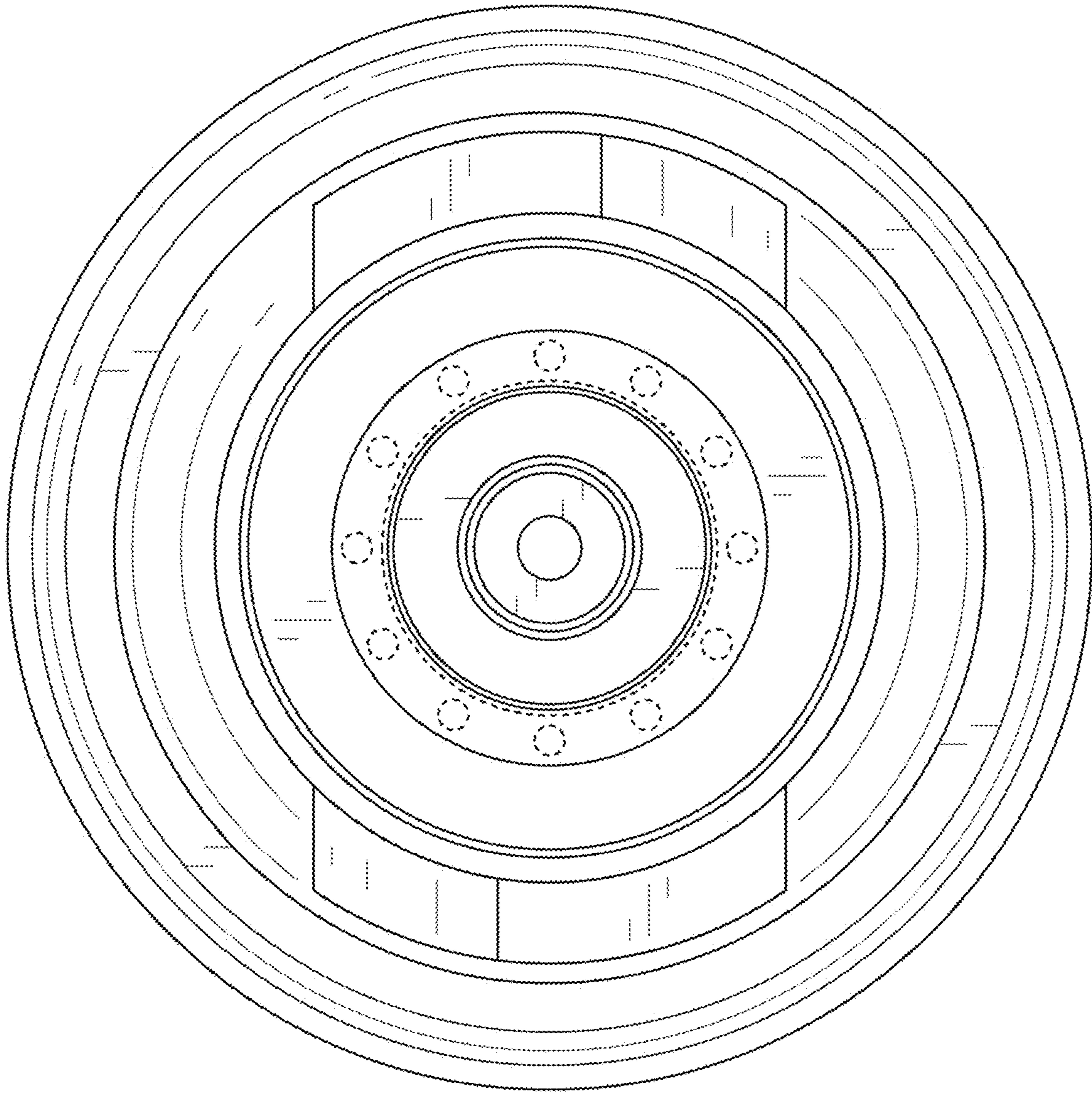


FIG. 13

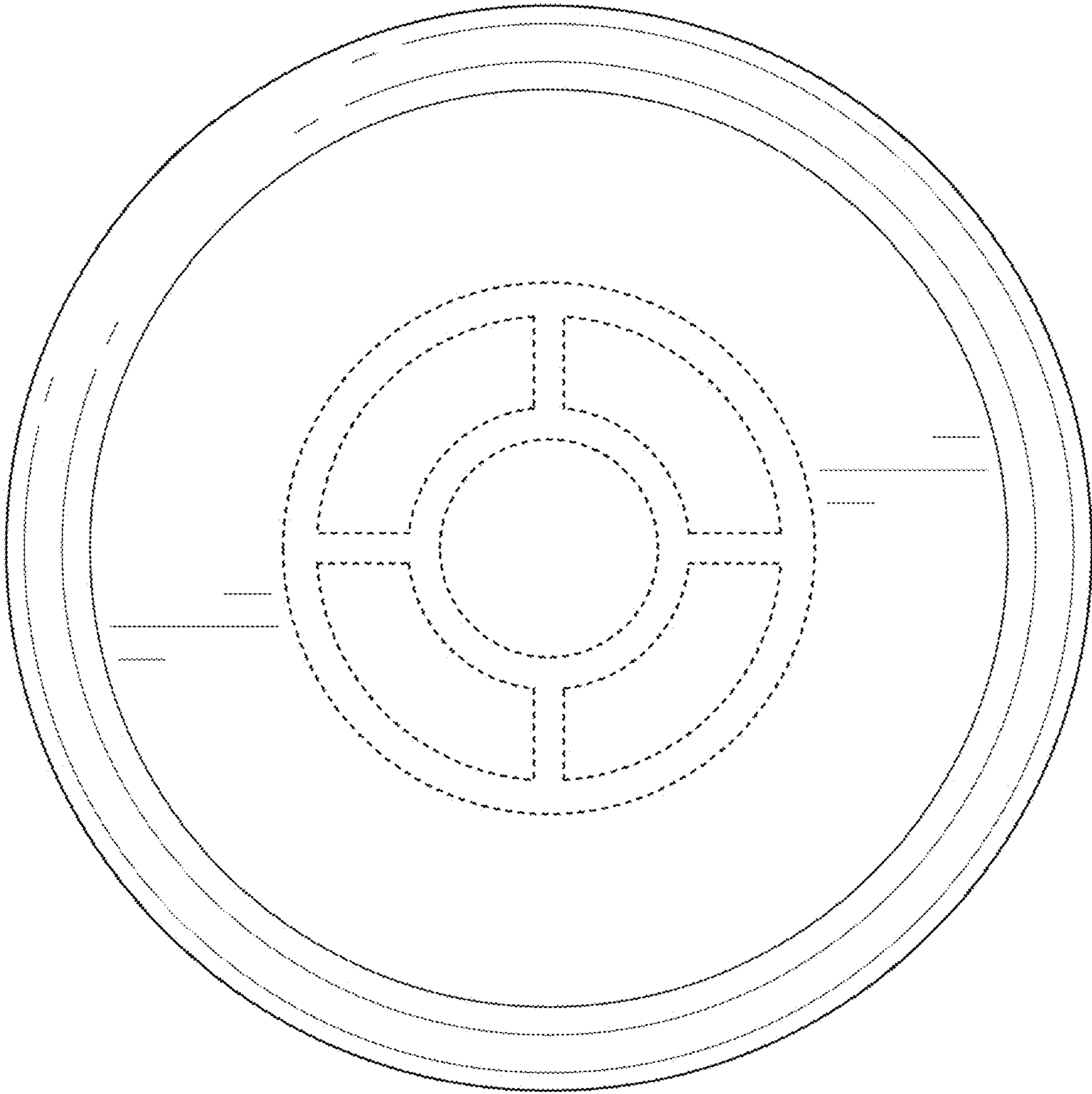


FIG. 14