



US00D948658S

(12) **United States Design Patent**
Miller et al.

(10) **Patent No.:** **US D948,658 S**

(45) **Date of Patent:** **** Apr. 12, 2022**

(54) **HIGH DENSITY HOLE PATTERN DUAL
PLENUM HOLE SHOWERHEAD ASSEMBLY**

(71) Applicant: **Lam Research Corporation**, Fremont,
CA (US)

(72) Inventors: **Aaron Blake Miller**, West Linn, OR
(US); **Rachel E. Batzer**, Tualatin, OR
(US); **Aaron Durbin**, Portland, OR
(US); **Vivekanandan Krishnaswamy**,
Bangalore (IN)

(73) Assignee: **LAM RESEARCH CORPORATION**,
Fremont, CA (US)

(**) Term: **15 Years**

(21) Appl. No.: **29/745,033**

(22) Filed: **Aug. 3, 2020**

(51) **LOC (13) Cl.** **23-01**

(52) **U.S. Cl.**
USPC **D23/200**

(58) **Field of Classification Search**
USPC D23/206-261
CPC A61H 9/0021; A61H 33/00; B05B 1/00;
B05B 1/14; B05B 1/185; B05B 1/08;
B05B 1/02; B05B 1/26; B05B 12/002;
B05B 1/18; B05B 9/01

See application file for complete search history.

(56) **References Cited**

U.S. PATENT DOCUMENTS

D286,319 S *	10/1986	Mathis	D23/261
6,854,580 B2 *	2/2005	Braford, Jr.	F16D 43/08
			192/201
D524,600 S *	7/2006	Austin	219/400
D535,673 S *	1/2007	Conway	D15/144
D549,815 S *	8/2007	Murphy	D23/390
D562,357 S *	2/2008	Hardy	D15/29
D578,619 S *	10/2008	Rattenbury	D23/261

D614,258 S *	4/2010	Kojima	D23/200
D614,267 S *	4/2010	Breda	D23/261
D678,483 S *	3/2013	Barker	D23/261
D720,838 S *	1/2015	Yamagishi	D23/261
D759,193 S *	6/2016	Gutierrez	D23/200
D762,814 S *	8/2016	Sawchuk	D23/213
D800,782 S *	10/2017	Bever	D15/5
D807,494 S *	1/2018	Kim	D23/390
D825,614 S *	8/2018	Bever	D15/5
D849,055 S *	5/2019	Kneip	D15/5

(Continued)

OTHER PUBLICATIONS

Standard Motor Products LX249 Ignition Pick Up, Nov. 11, 2005,
Amazon.com, Nov. 17, 2021.URL: [https://www.amazon.com/Standard-Motor-Products-LX249-Ignition/dp/B000C7ZTS4/\(Year:2005\).](https://www.amazon.com/Standard-Motor-Products-LX249-Ignition/dp/B000C7ZTS4/(Year:2005).)*

(Continued)

Primary Examiner — Jack Reickel

Assistant Examiner — Keith J Wilson

(74) *Attorney, Agent, or Firm* — Schwegman, Lundberg
& Woessner, P.A.

(57) **CLAIM**

The ornamental design for a high density hole pattern dual
plenum hole showerhead assembly, as shown and described.

DESCRIPTION

FIG. 1 is a top-rear-right perspective view of the showerhead
assembly, showing our new design.

FIG. 2 is a front view thereof.

FIG. 3 is a rear view thereof.

FIG. 4 is a left side view thereof.

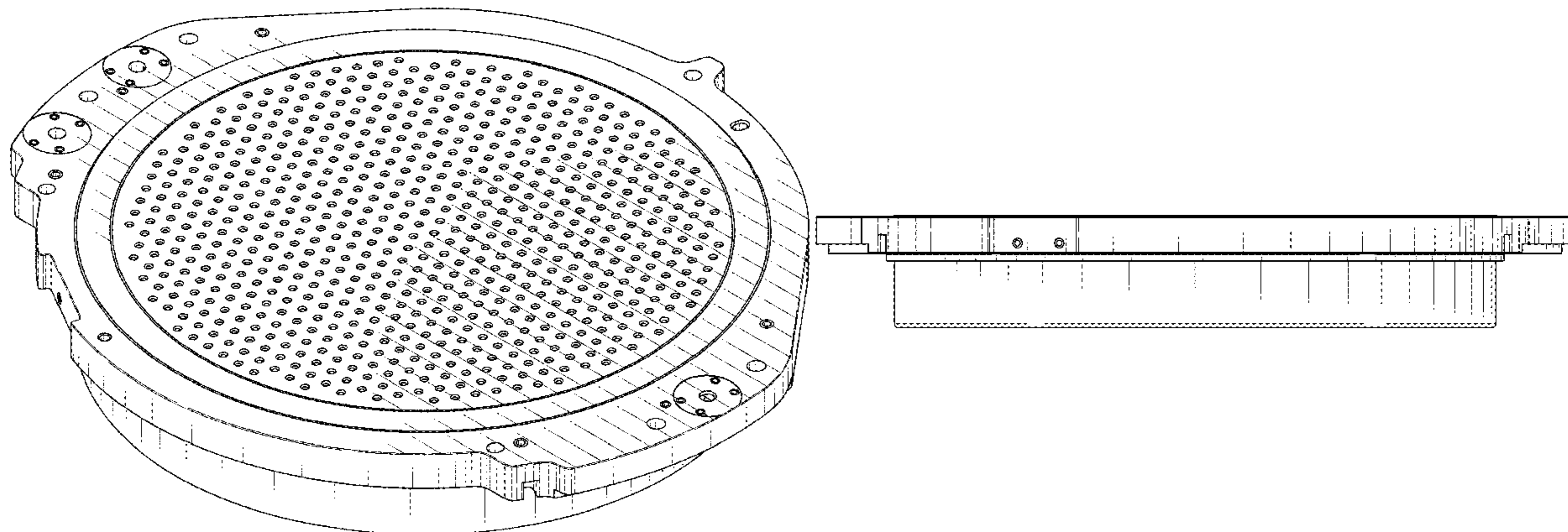
FIG. 5 is a right side view thereof.

FIG. 6 is a top view thereof; and,

FIG. 7 is a bottom view thereof.

The shade lines show surface contour and not surface
ornamentation.

1 Claim, 4 Drawing Sheets



(56)

References Cited

U.S. PATENT DOCUMENTS

D900,760 S * 11/2020 Kouzuma D13/184
D923,756 S * 6/2021 Aiken D23/260
2005/0258280 A1* 11/2005 Goto C23C 8/36
239/548
2014/0235069 A1* 8/2014 Breiling C23C 16/452
438/778

OTHER PUBLICATIONS

Delta RP62734 1.5 Gpm Handshower Flow Regulator Washer, May 15, 2011, amazon.com, Nov. 17, 2021.URL <https://www.amazon.com/Delta-RP62734-Handshower-Regulator-Washer/dp/B0050XGBXM> (Year: 2011).*

LEKEYE Shower Drain Hair Catcher/Strainer, Mar. 16, 2017, amazon.com, Nov. 17, 2021, Nov. 17, 2021.URL: <https://www.amazon.com/LEKEYE-Catcher-Strainer-Stainless-Silicone/dp/B06W2MPGZV> (Year: 2017).*

* cited by examiner

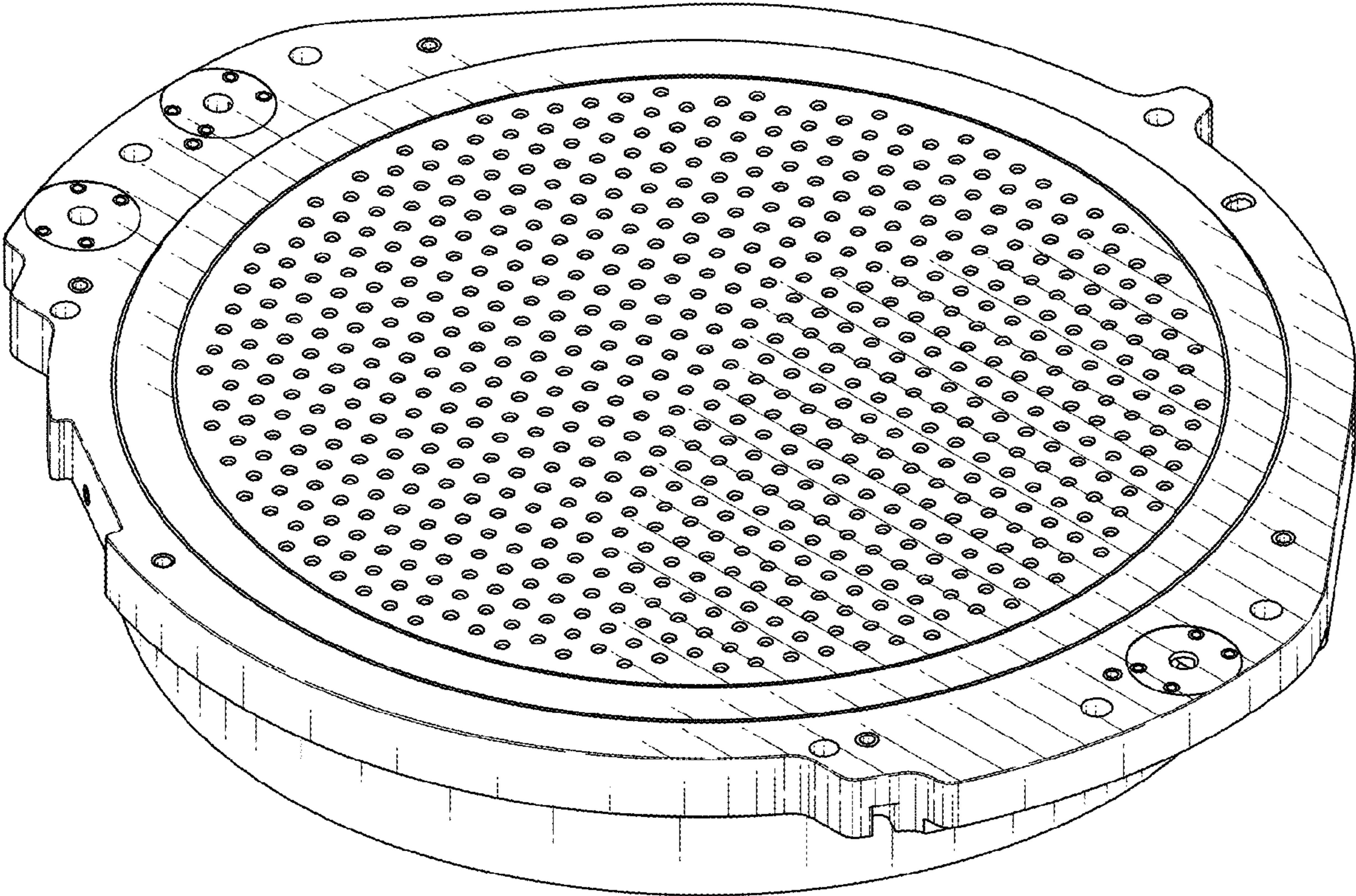


FIG. 1

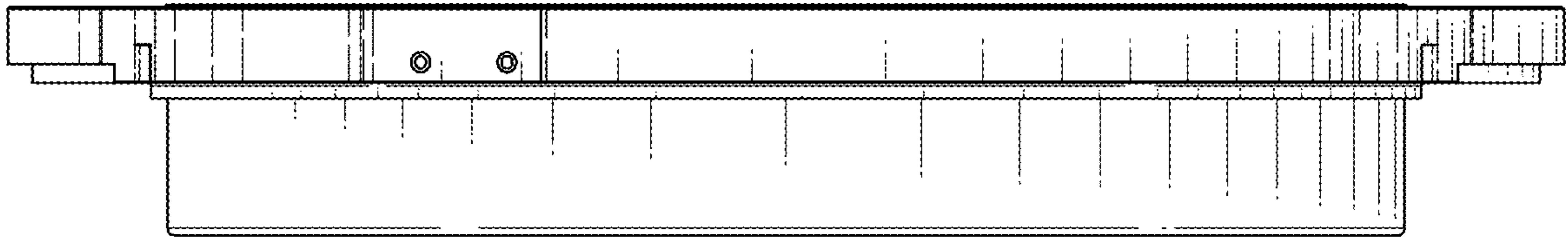


FIG. 2

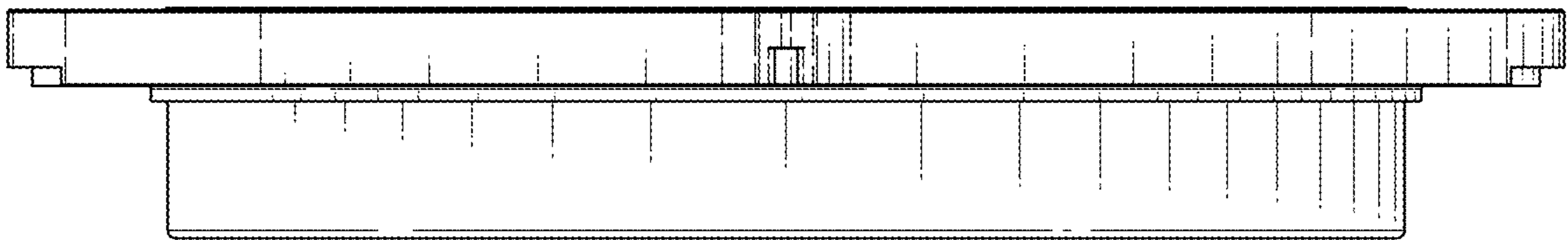


FIG. 3

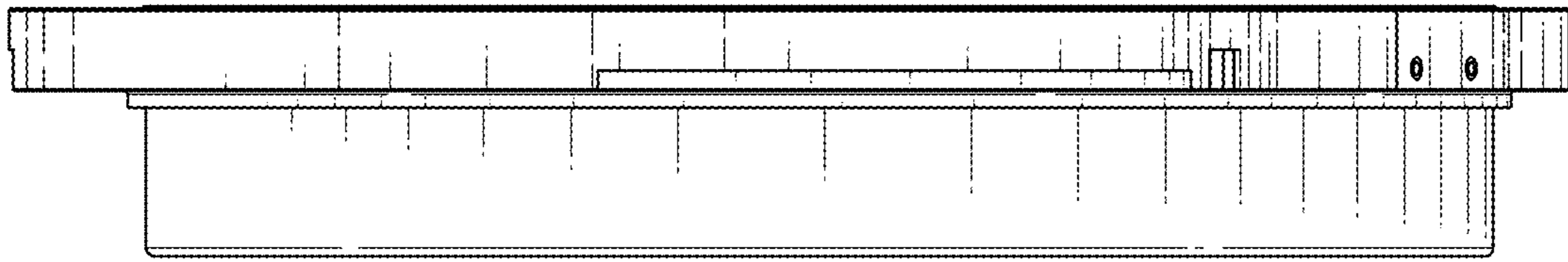


FIG. 4

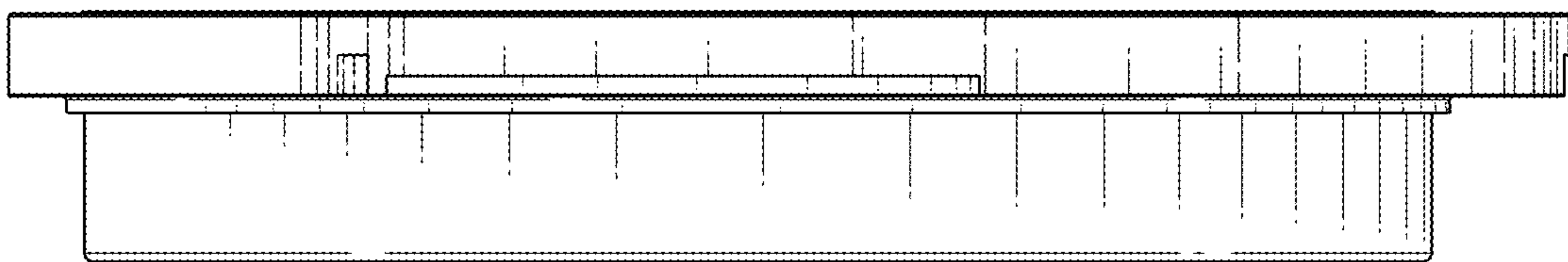


FIG. 5

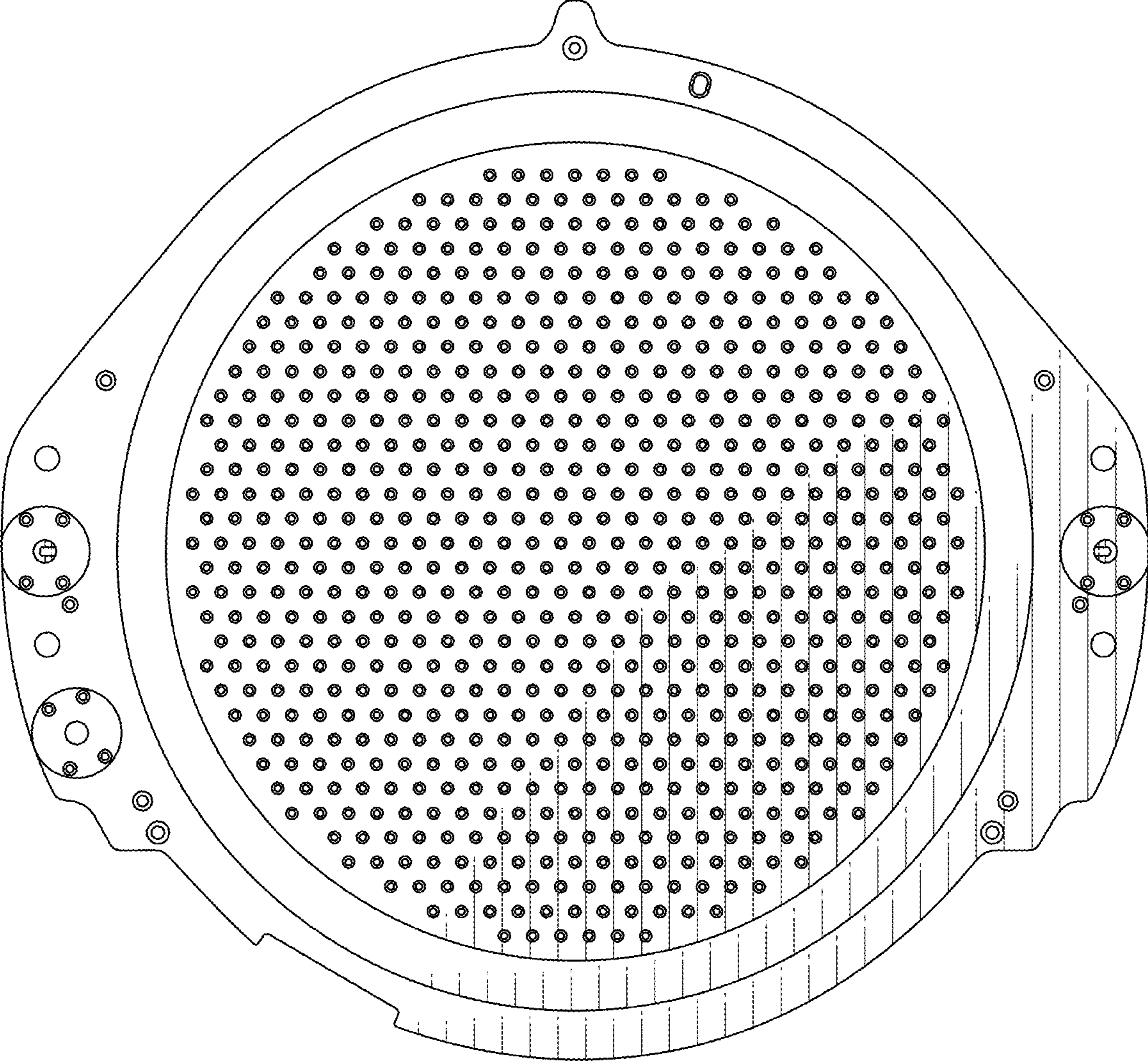


FIG. 6

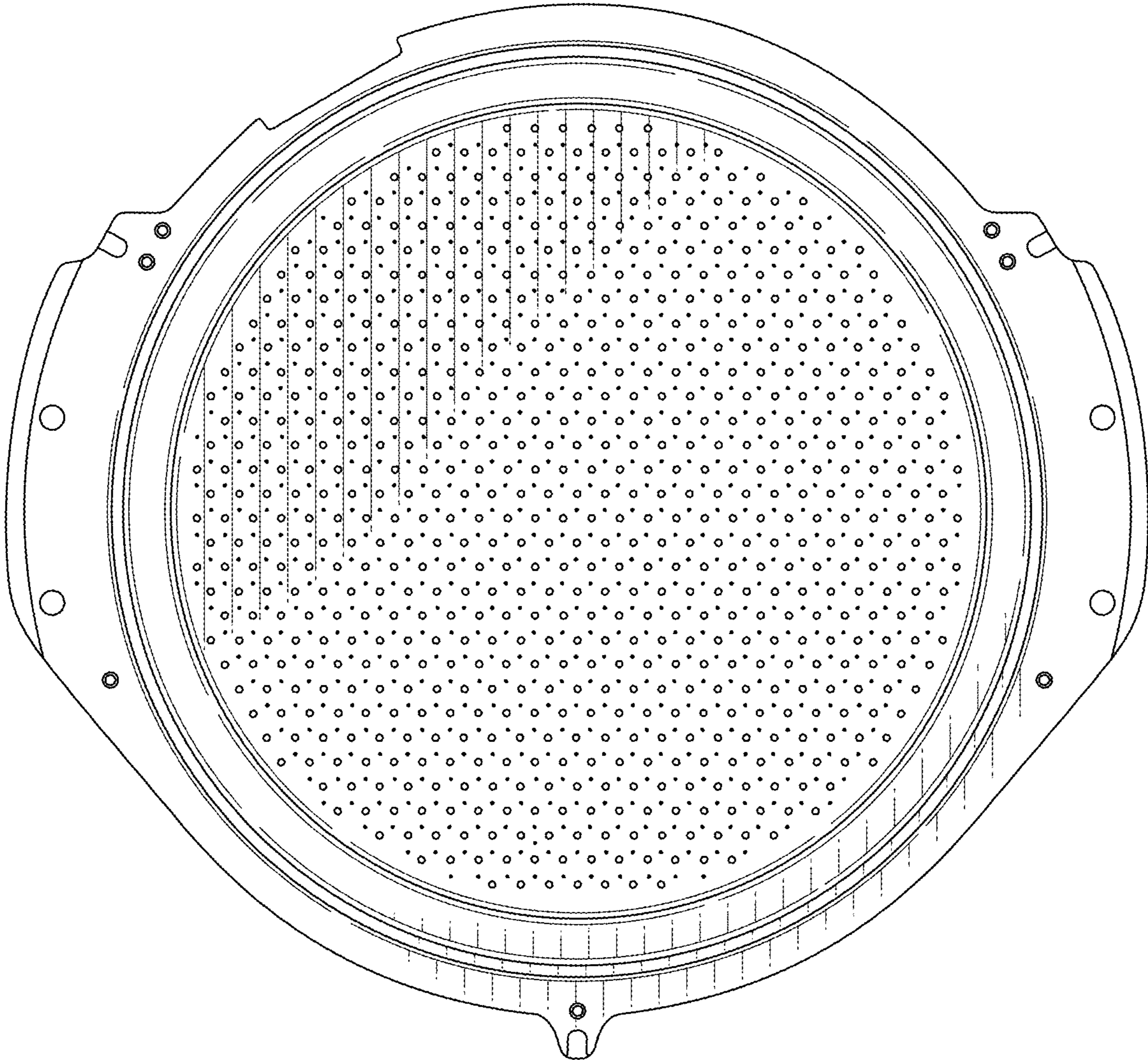


FIG. 7