

US00D948657S

(12) **United States Design Patent**  
**Horie et al.**

(10) **Patent No.: US D948,657 S**  
(45) **Date of Patent: \*\* Apr. 12, 2022**

(54) **FISHING REEL**

(56) **References Cited**

(71) Applicant: **GLOBERIDE, Inc.**, Tokyo (JP)

U.S. PATENT DOCUMENTS

(72) Inventors: **Hironori Horie**, Tokyo (JP); **Hayato Ueno**, Tokyo (JP); **Hiroya Nagasawa**, Tokyo (JP); **Takashi Kondo**, Tokyo (JP)

5,433,394 A *	7/1995	Brozio .....	A01K 89/006 242/283
8,033,492 B2 *	10/2011	Fujioka .....	A01K 89/0114 242/230
D767,086 S *	9/2016	Nago .....	D22/141
D812,713 S *	3/2018	Horie .....	D22/141
D861,827 S *	10/2019	Furukawa .....	D22/141
2003/0066920 A1 *	4/2003	Kitajima .....	A01K 89/00 242/310

(73) Assignee: **GLOBERIDE, INC.**, Tokyo (JP)

(\*\*) Term: **15 Years**

\* cited by examiner

(21) Appl. No.: **29/736,140**

*Primary Examiner* — Catherine R Oliver-Garcia

(22) Filed: **May 28, 2020**

(74) *Attorney, Agent, or Firm* — K&L Gates LLP

(30) **Foreign Application Priority Data**

(57) **CLAIM**

The ornamental design for a fishing reel, as shown and described.

Dec. 12, 2019 (JP) ..... 2019-027571

**DESCRIPTION**

(51) **LOC (13) Cl.** ..... **22-05**

FIG. 1 is a top, front, right side perspective view showing our new design;

(52) **U.S. Cl.**

USPC ..... **D22/141**

FIG. 2 is a bottom, rear, left side perspective view thereof;

(58) **Field of Classification Search**

USPC ..... D22/140–141

CPC .... A01K 89/00; A01K 89/01; A01K 89/0111;  
A01K 89/006; A01K 89/0183; A01K  
89/0192; A01K 89/01121; A01K 89/09;  
A01K 89/004; A01K 89/015

FIG. 3 is a right side elevational view thereof;

FIG. 4 is a left side elevational view thereof;

FIG. 5 is a top plan view thereof;

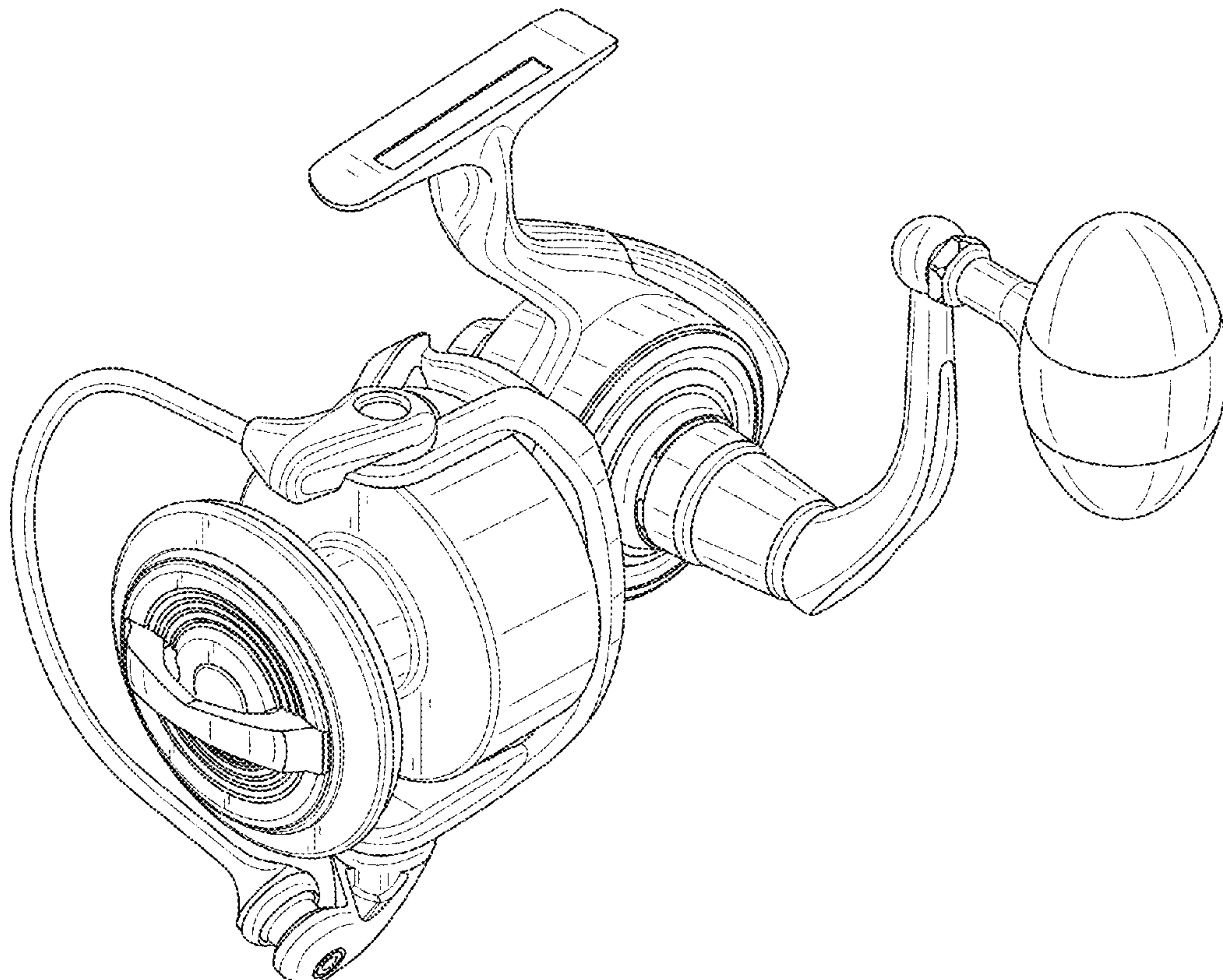
FIG. 6 is a bottom plan view thereof;

FIG. 7 is a rear elevational view thereof; and,

FIG. 8 is a front elevational view thereof.

See application file for complete search history.

**1 Claim, 8 Drawing Sheets**



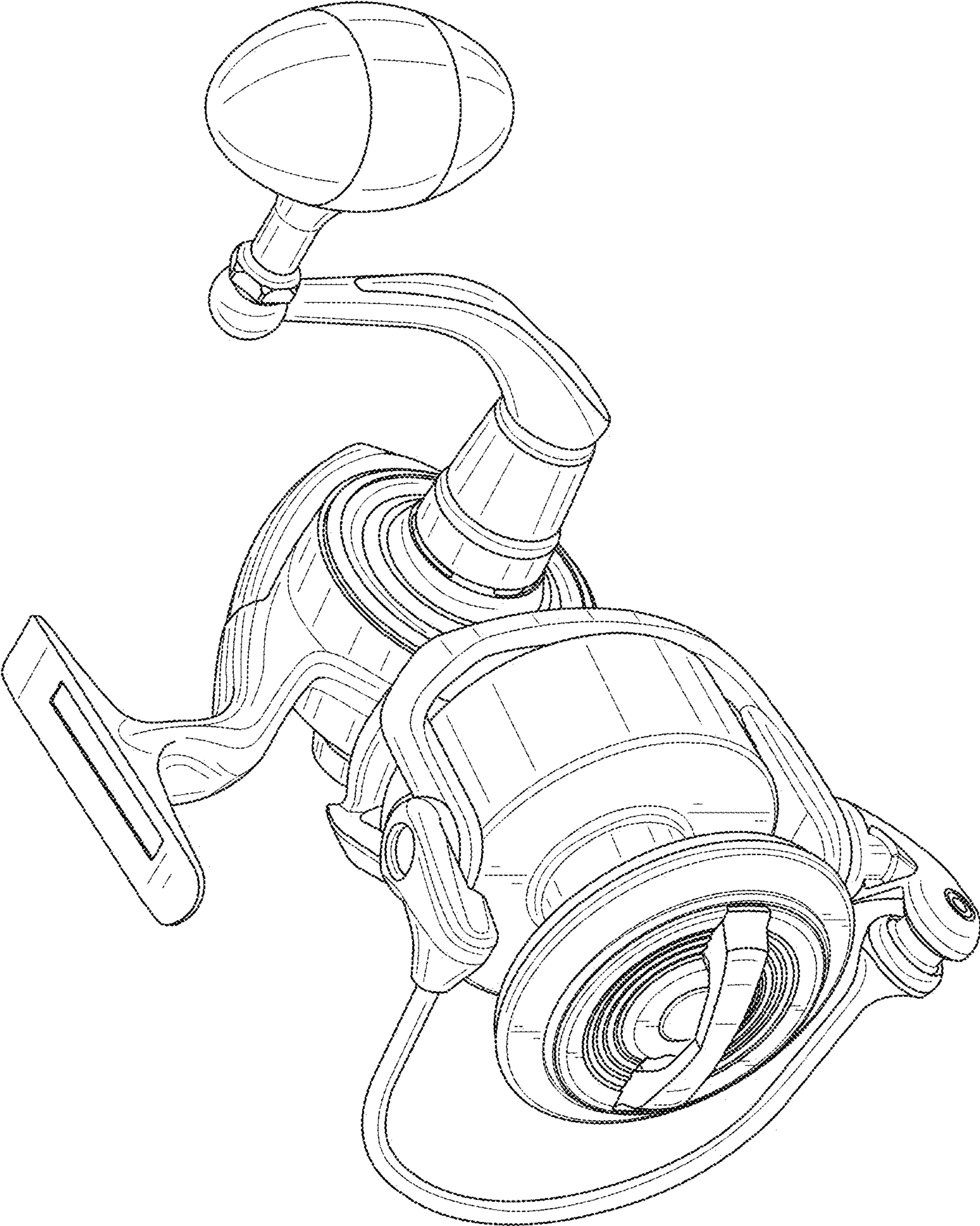


FIG. 1



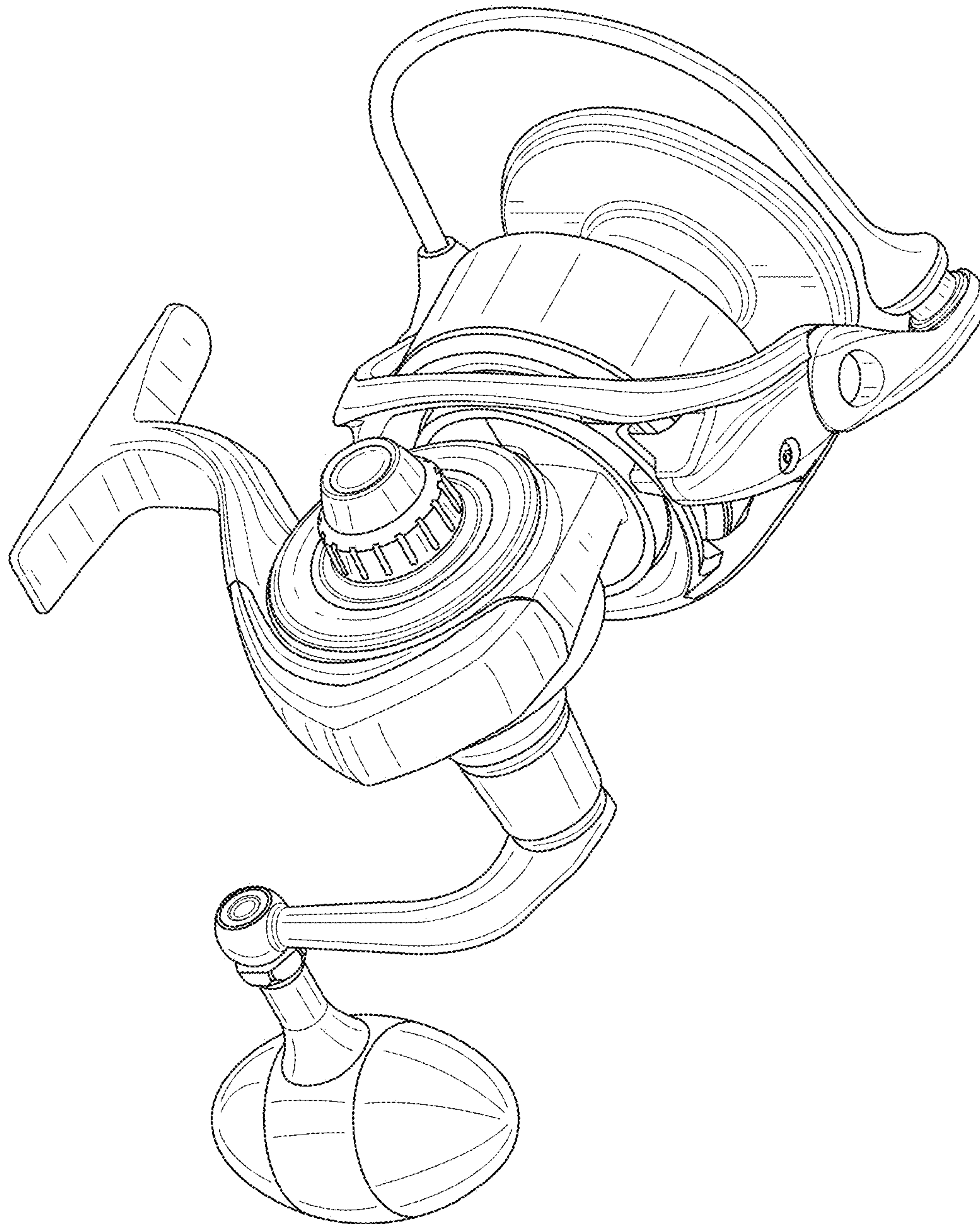


FIG. 2

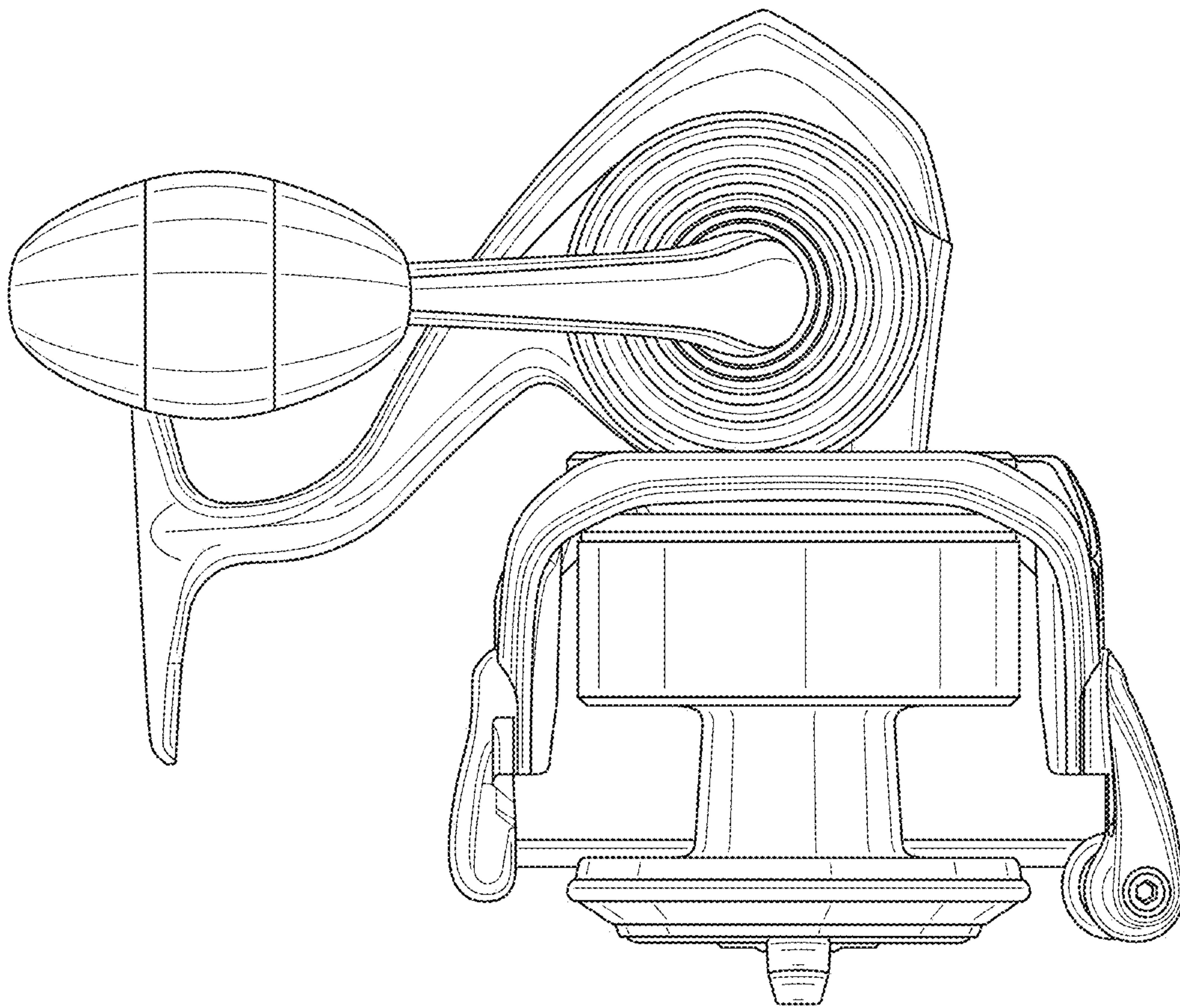


FIG. 3

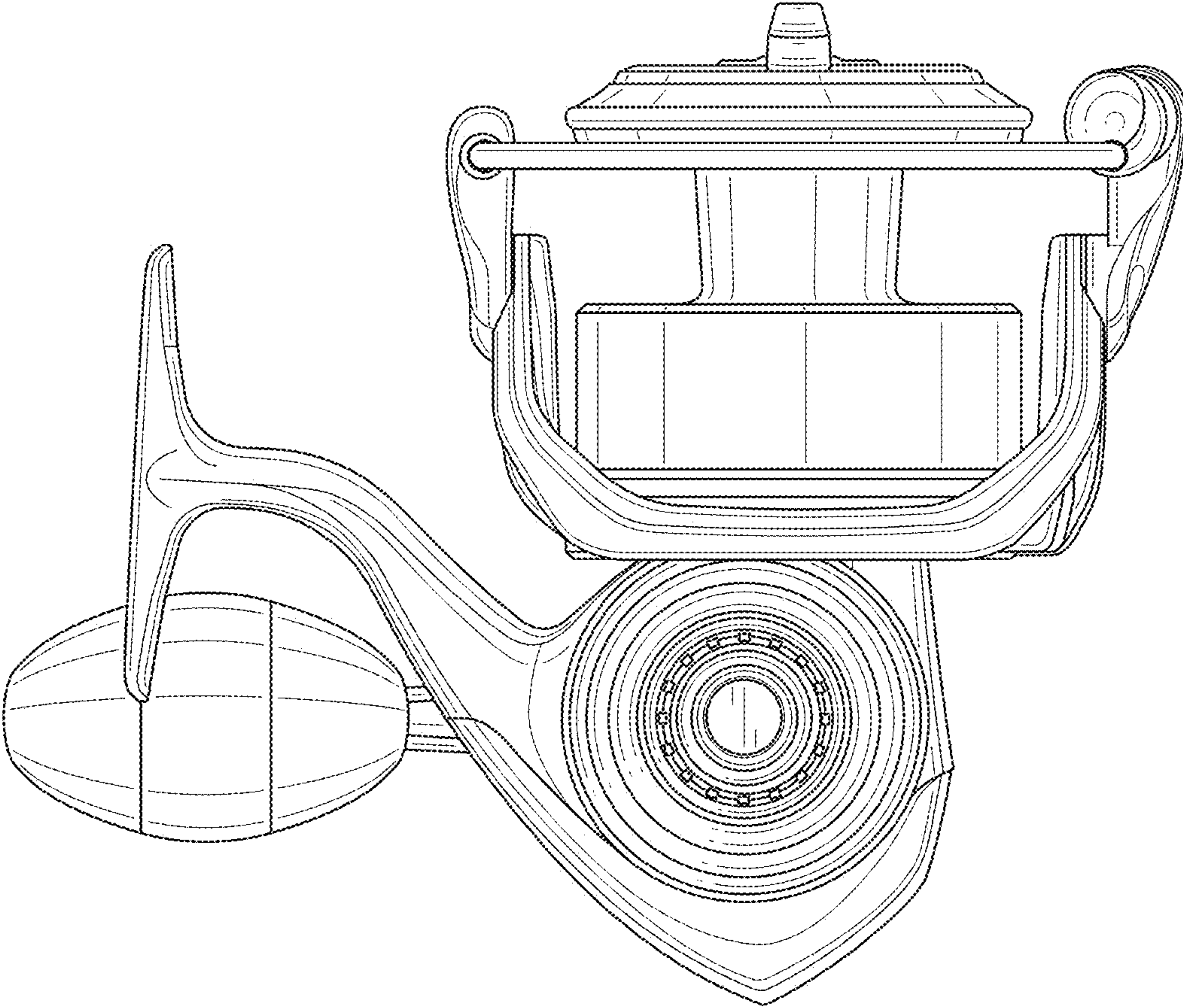


FIG. 4

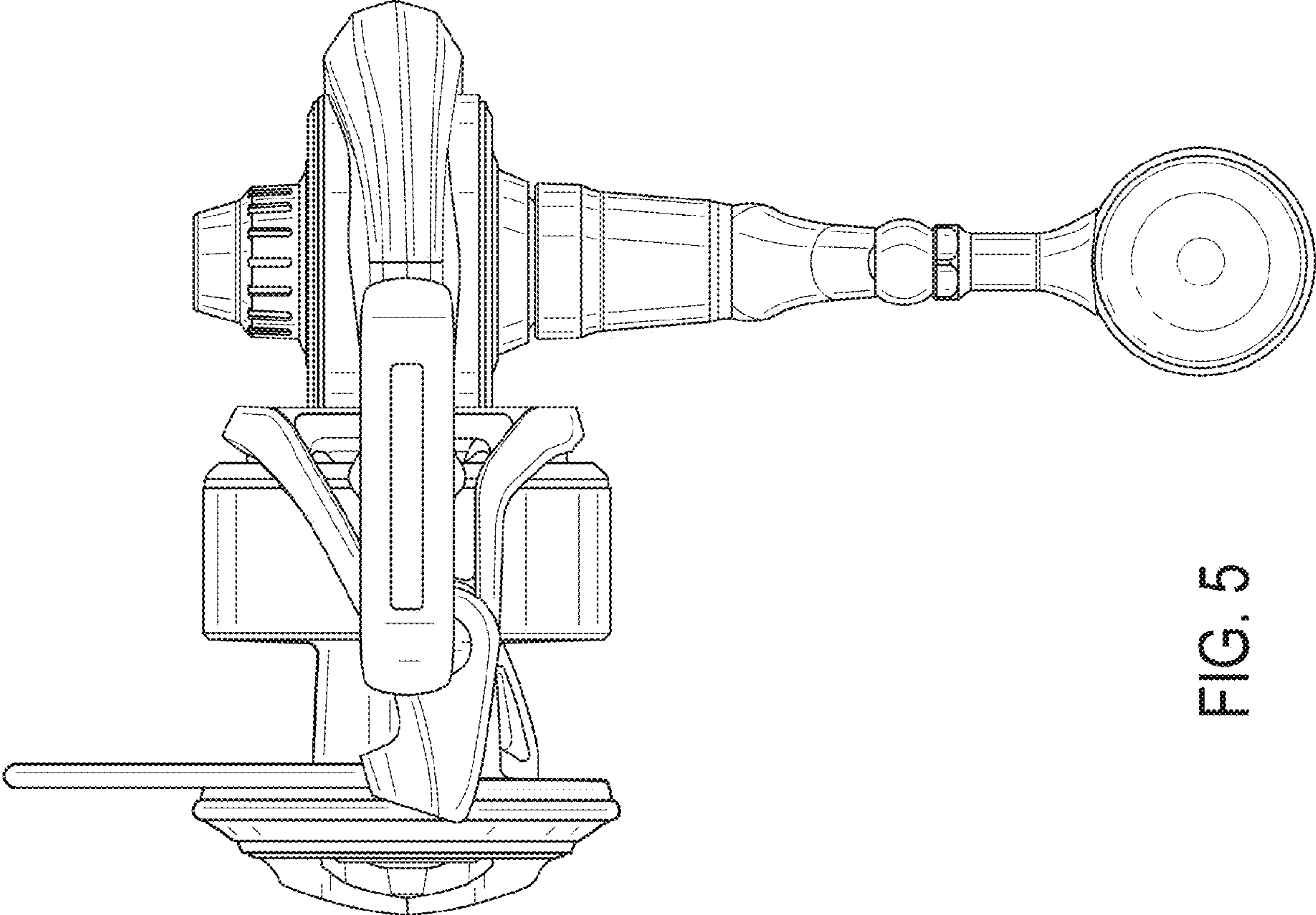


FIG. 5



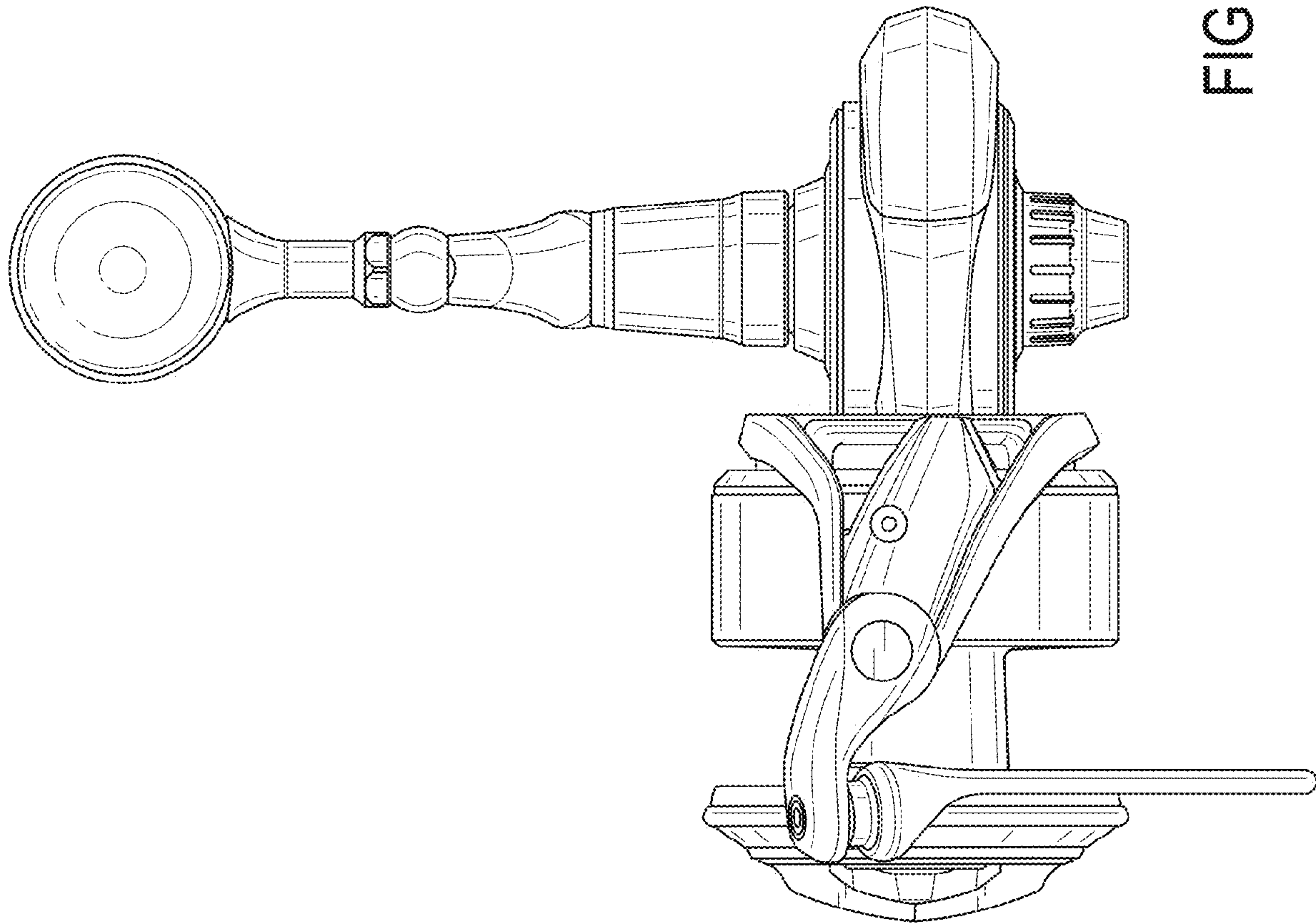


FIG. 6

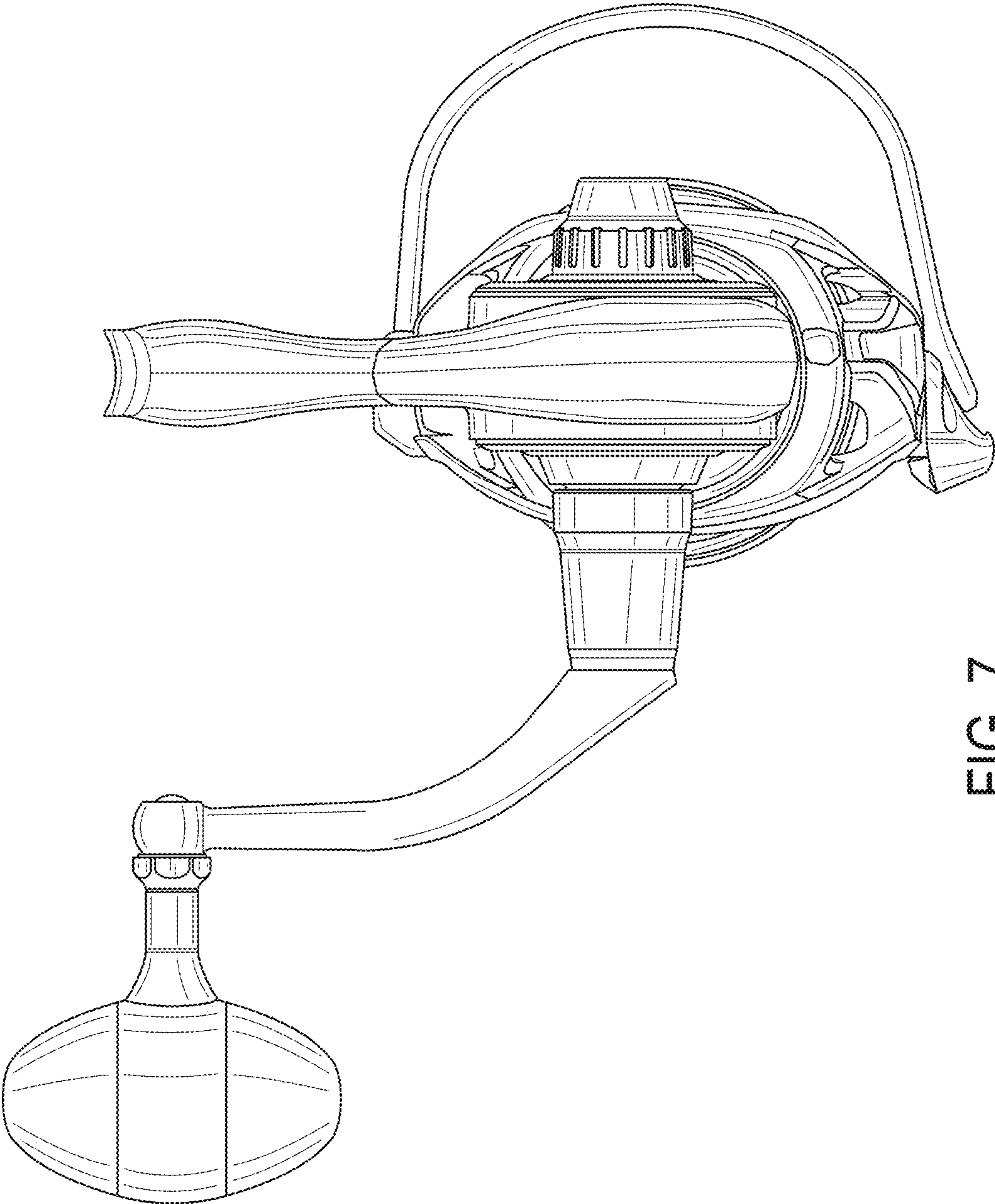


FIG. 7



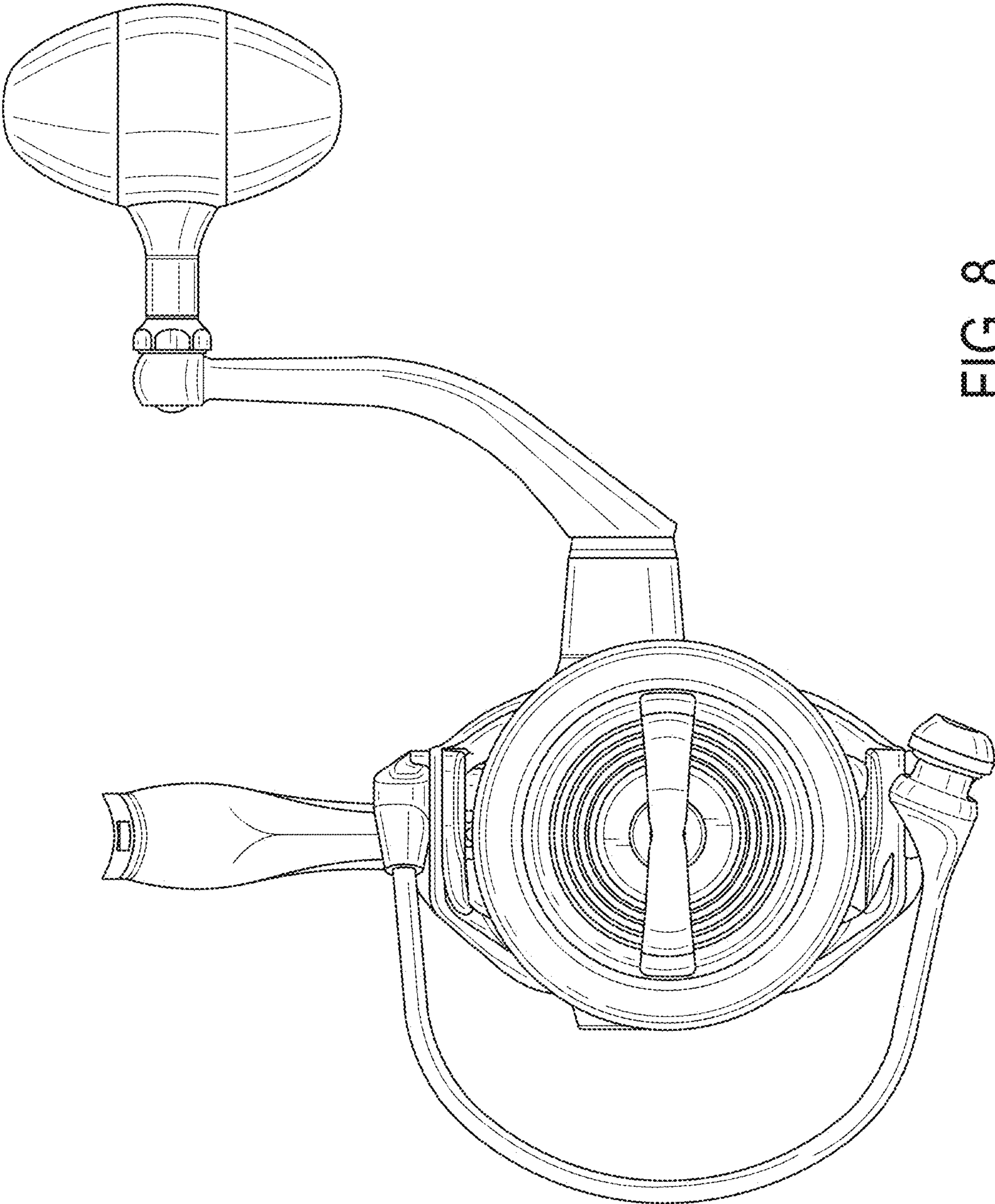


FIG. 8