



US00D948655S

(12) **United States Design Patent**
McHann

(10) **Patent No.:** **US D948,655 S**

(45) **Date of Patent:** **** Apr. 12, 2022**

(54) **OPTIC MOUNT FOR RIFLE**

(71) Applicant: **Mountain Tactical Company,**
Bozeman, MT (US)

(72) Inventor: **Jason McHann,** Bozeman, MT (US)

(**) Term: **15 Years**

(21) Appl. No.: **29/758,147**

(22) Filed: **Nov. 12, 2020**

(51) **LOC (13) Cl.** **22-01**

(52) **U.S. Cl.**
USPC **D22/110**

(58) **Field of Classification Search**
USPC D22/100, 103, 108, 109, 110, 199;
D16/130
CPC . F41G 11/003; F41G 1/14; F41G 1/38; F41G
1/16; F41G 1/02; F41G 1/06; F41A
23/005; F41C 23/16

See application file for complete search history.

(56) **References Cited**

U.S. PATENT DOCUMENTS

D203,508	S *	1/1966	Hansen	D22/110
D212,690	S *	11/1968	Kuharsky, Jr.	D22/110
4,531,321	A	7/1985	Bechtel		
D317,344	S *	6/1991	Klumpp	D22/110
D383,826	S *	9/1997	Weigand	D22/109
5,680,725	A	10/1997	Bell		
5,926,964	A	7/1999	Korapaty		
D554,730	S *	11/2007	Coggins	D22/110
8,171,666	B2	5/2012	Karagias		
8,387,300	B1 *	3/2013	Holland	F41G 11/001 42/127
8,572,885	B2	11/2013	Karagias		
8,683,732	B2	4/2014	Joplin		
8,733,011	B2	5/2014	Spuhr		
9,289,867	B2	3/2016	Turner, Jr. et al.		
D777,289	S *	1/2017	Cheng	D22/109
D779,623	S *	2/2017	Geissele	D22/110

9,777,996	B2	10/2017	Spuhr		
D802,703	S *	11/2017	Perales	D22/109
D819,164	S *	5/2018	Geissele	D22/110
D837,929	S *	1/2019	Wright	D22/110

(Continued)

OTHER PUBLICATIONS

“Raptor Mount 30mm High 20 MOA” [online]. tikka performance. [Retrieved on Feb. 17, 2022]. Retrieved from the Internet: <<https://tikkaperformance.com/product/raptor-mount-30mm-high-20-moa/>> (Year: 2022).*

(Continued)

Primary Examiner — Mojtaba Tehrani

(74) *Attorney, Agent, or Firm* — Antoinette M. Tease

(57) **CLAIM**

The ornamental design for an optic mount for rifle, as shown and described.

DESCRIPTION

FIG. 1 is a top perspective view of an optic mount for rifle showing the new design.

FIG. 2 is a bottom perspective view of an optic mount for rifle showing the new design.

FIG. 3 is a top view of an optic mount for rifle showing the new design.

FIG. 4 is a bottom view of an optic mount for rifle showing the new design.

FIG. 5 is a first side view of an optic mount for rifle showing the new design.

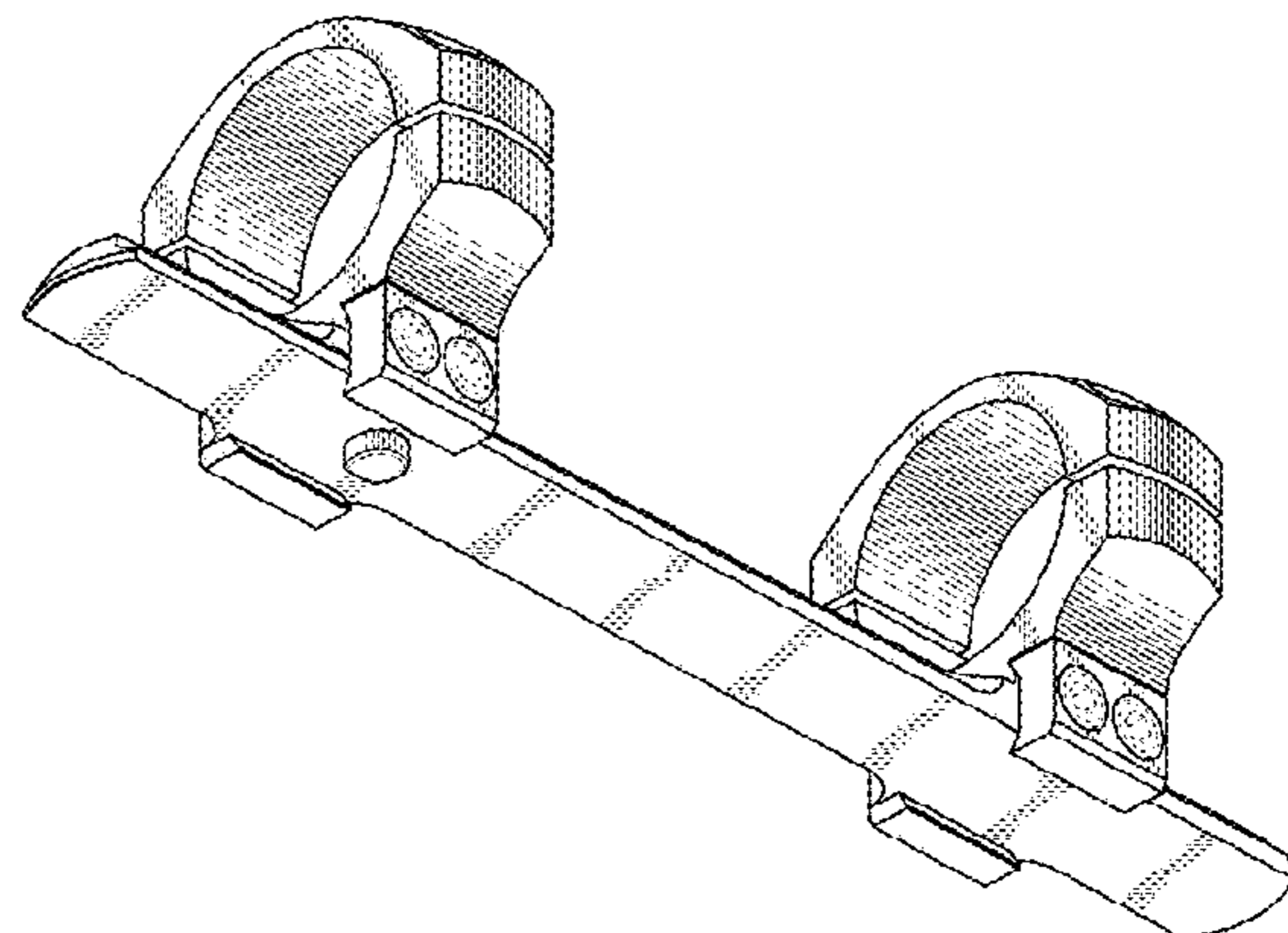
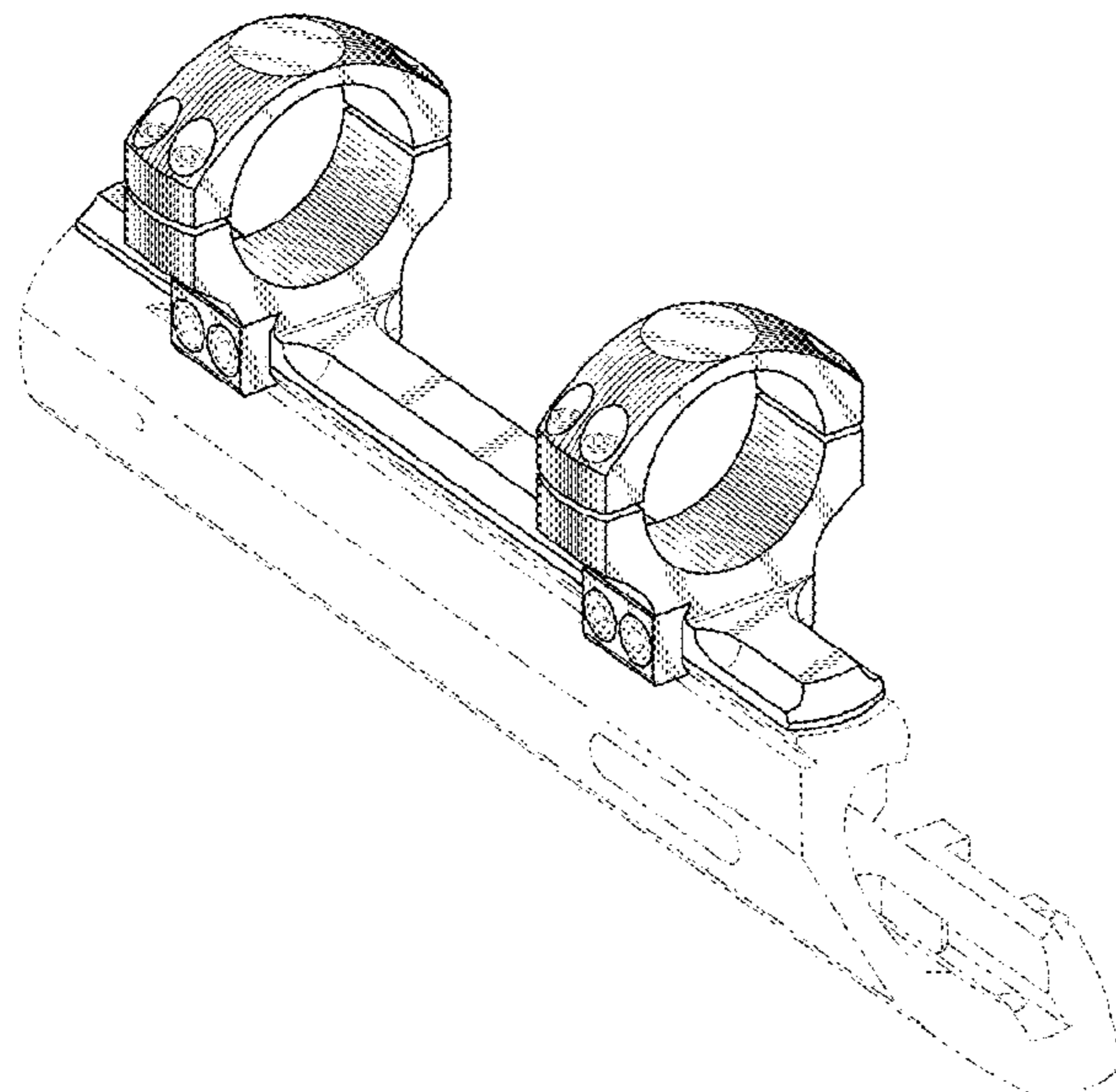
FIG. 6 is a second side view of an optic mount for rifle showing the new design.

FIG. 7 is a rear view of an optic mount for rifle showing the new design; and,

FIG. 8 is a front rear view of an optic mount for rifle showing the new design.

The broken lines are to show environmental structure only and form no part of the claimed design.

1 Claim, 3 Drawing Sheets



(56)

References Cited

U.S. PATENT DOCUMENTS

10,288,378	B2	5/2019	Minor et al.	
D906,469	S *	12/2020	Coggins	D22/110
2008/0022576	A1	1/2008	Epling	
2011/0023348	A1	2/2011	Karagias	
2011/0271578	A1	11/2011	Kragias	
2012/0174462	A1	7/2012	Spuhr	
2013/0283663	A1 *	10/2013	Joplin	F41G 11/003 42/124
2014/0190062	A1	7/2014	Turner, Jr. et al.	
2015/0239080	A1	8/2015	Turner, Jr. et al.	
2016/0209176	A1 *	7/2016	Zimmer	F41G 11/004
2016/0252329	A1	9/2016	Spuhr	
2016/0258716	A1 *	9/2016	Haugen	F41G 11/003

OTHER PUBLICATIONS

“Game Reaper Tikka T3—Medium Mount” [online]. Game Reaper. [Date first available Aug. 19, 2010]. Retrieved from the Internet: <<https://www.amazon.com/dp/B001EYDP76>>.*

* cited by examiner

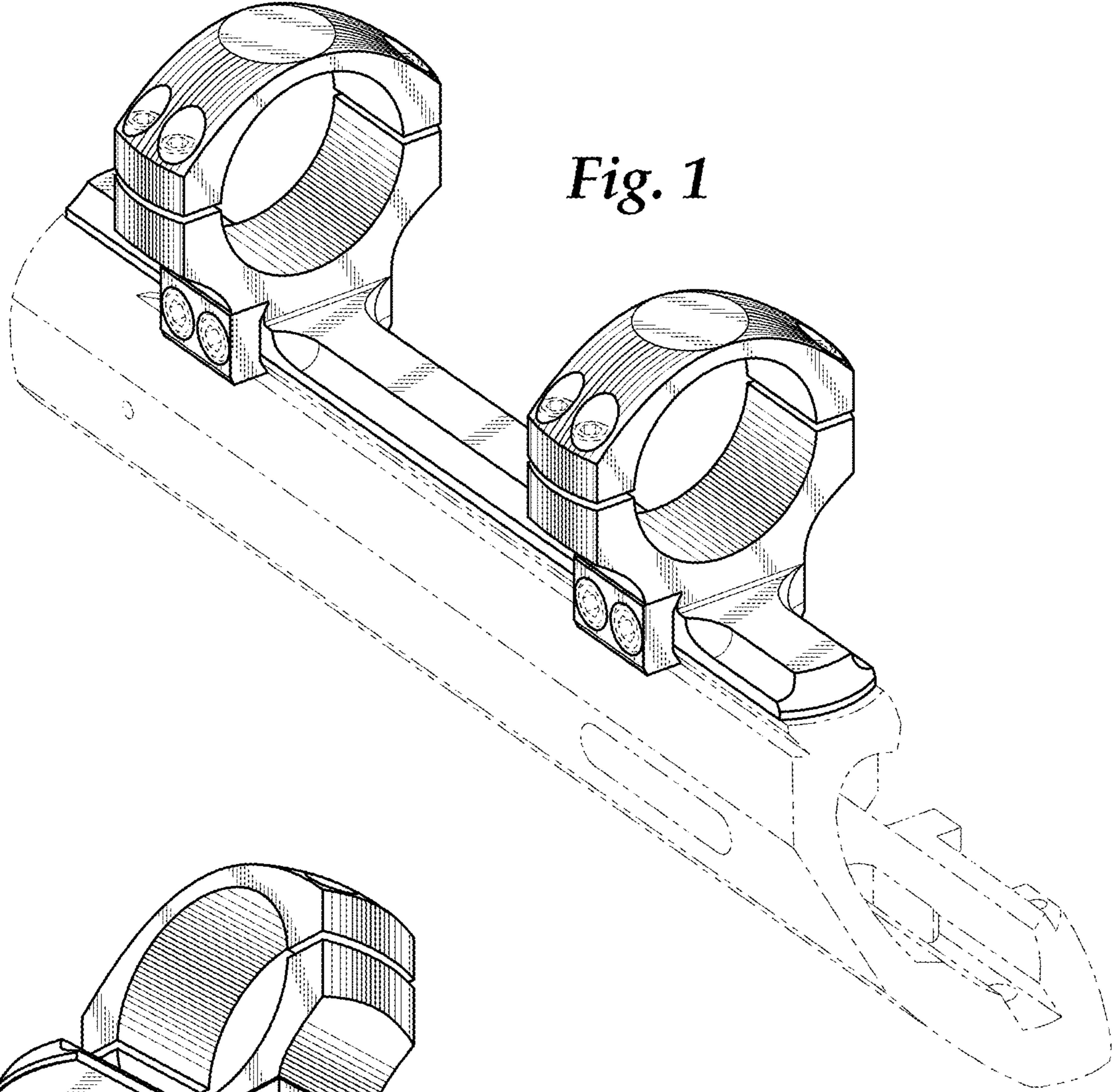


Fig. 1

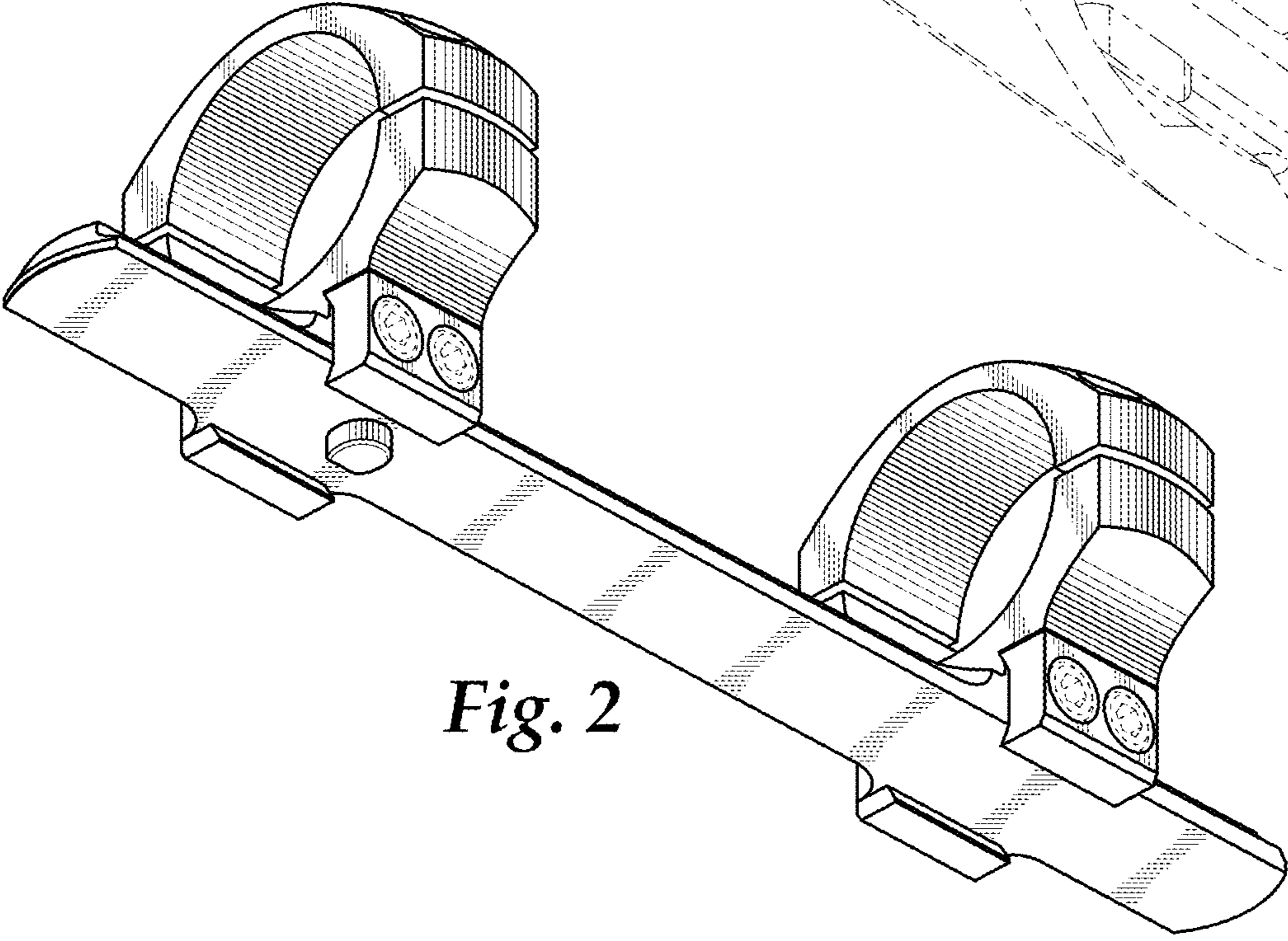
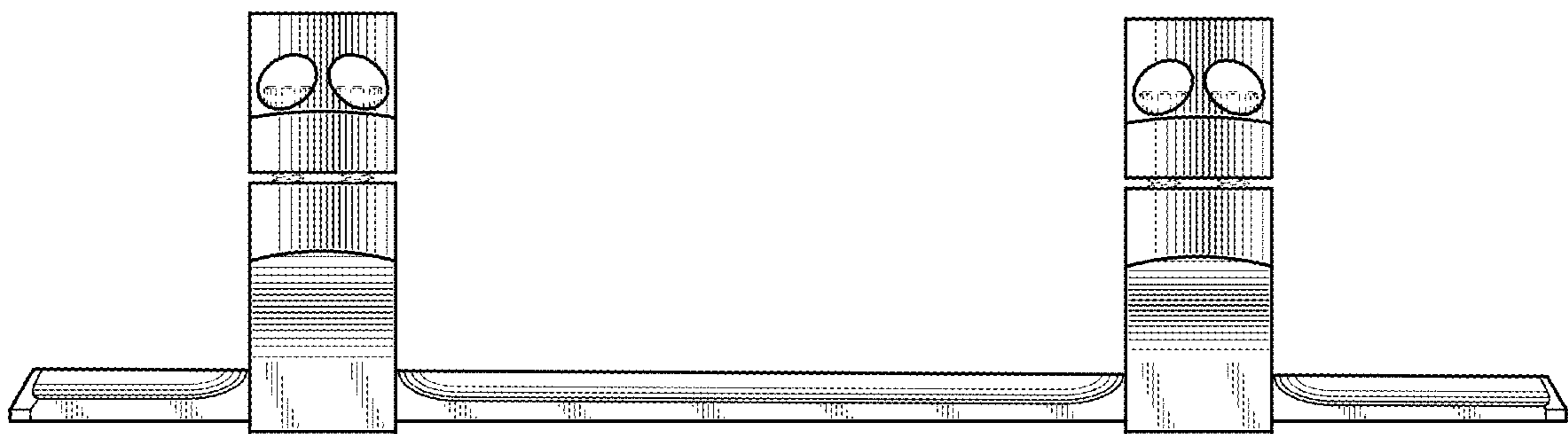
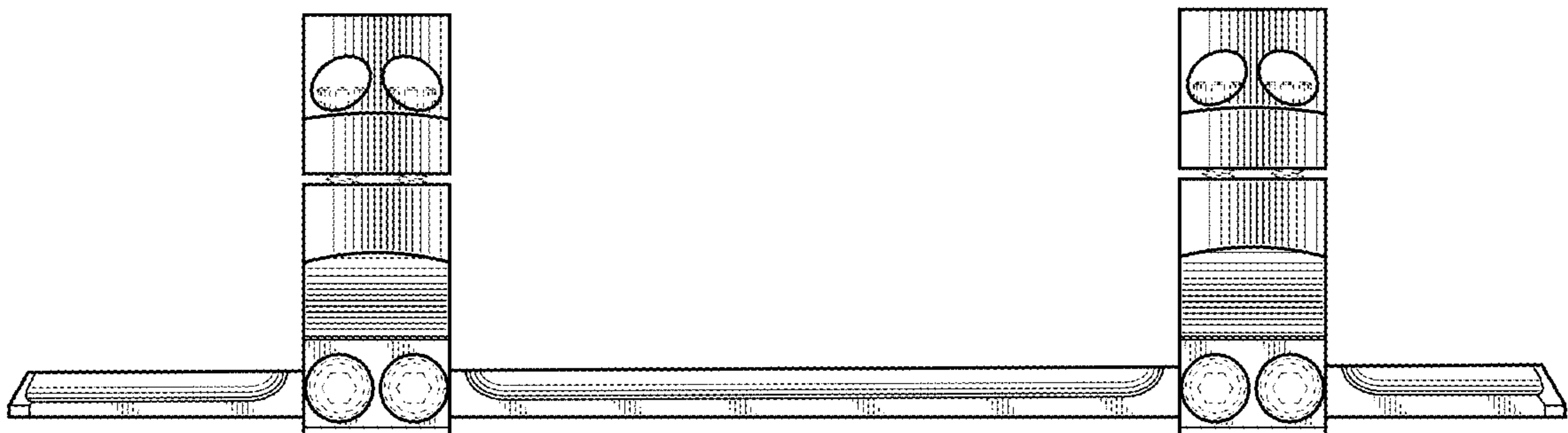
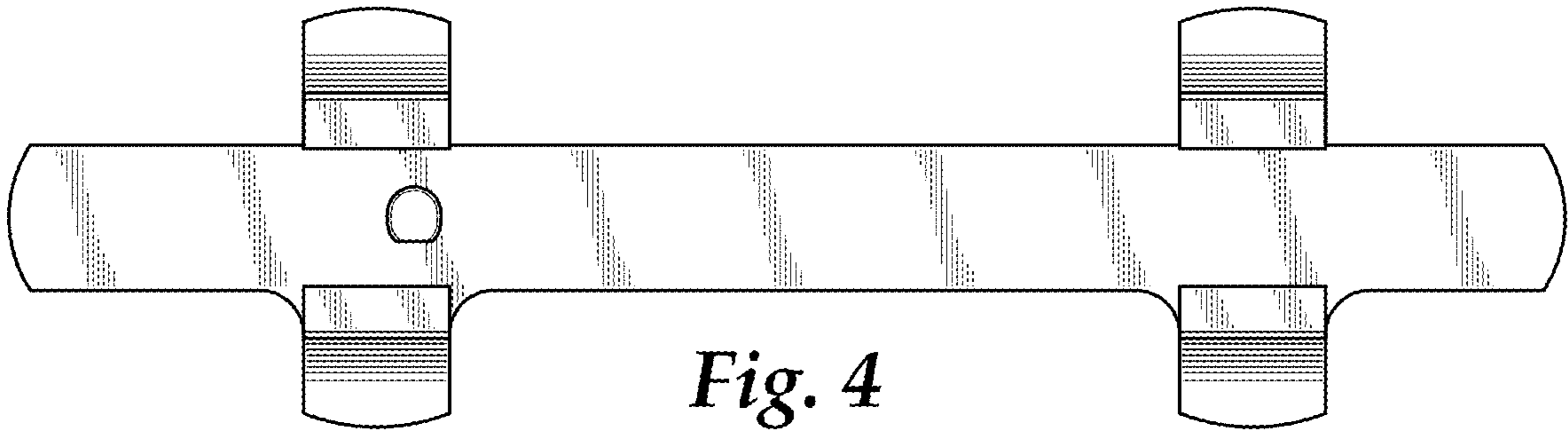
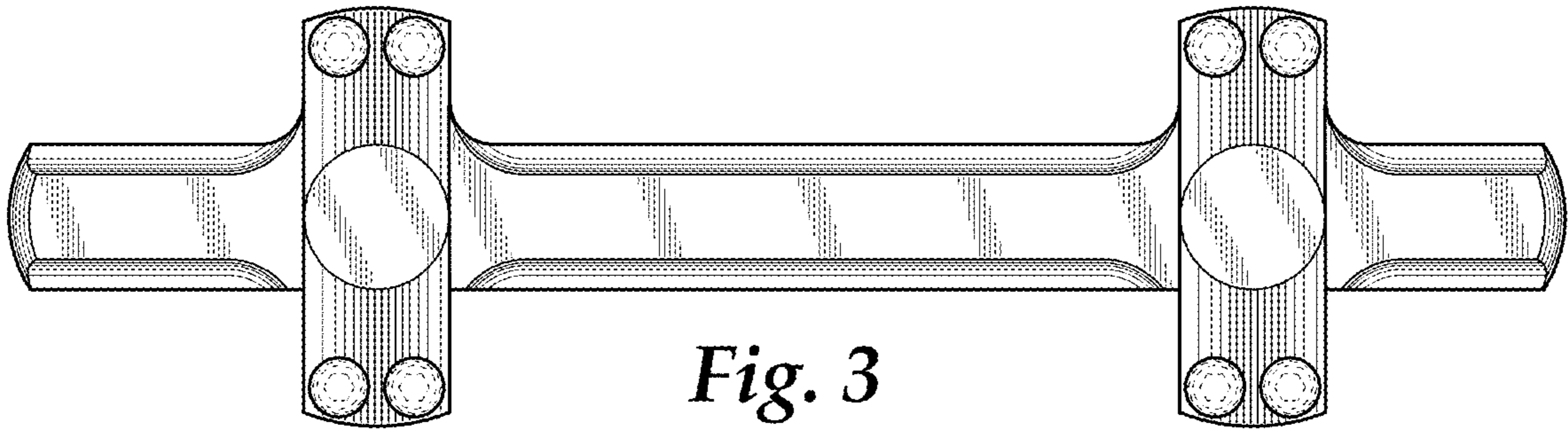


Fig. 2



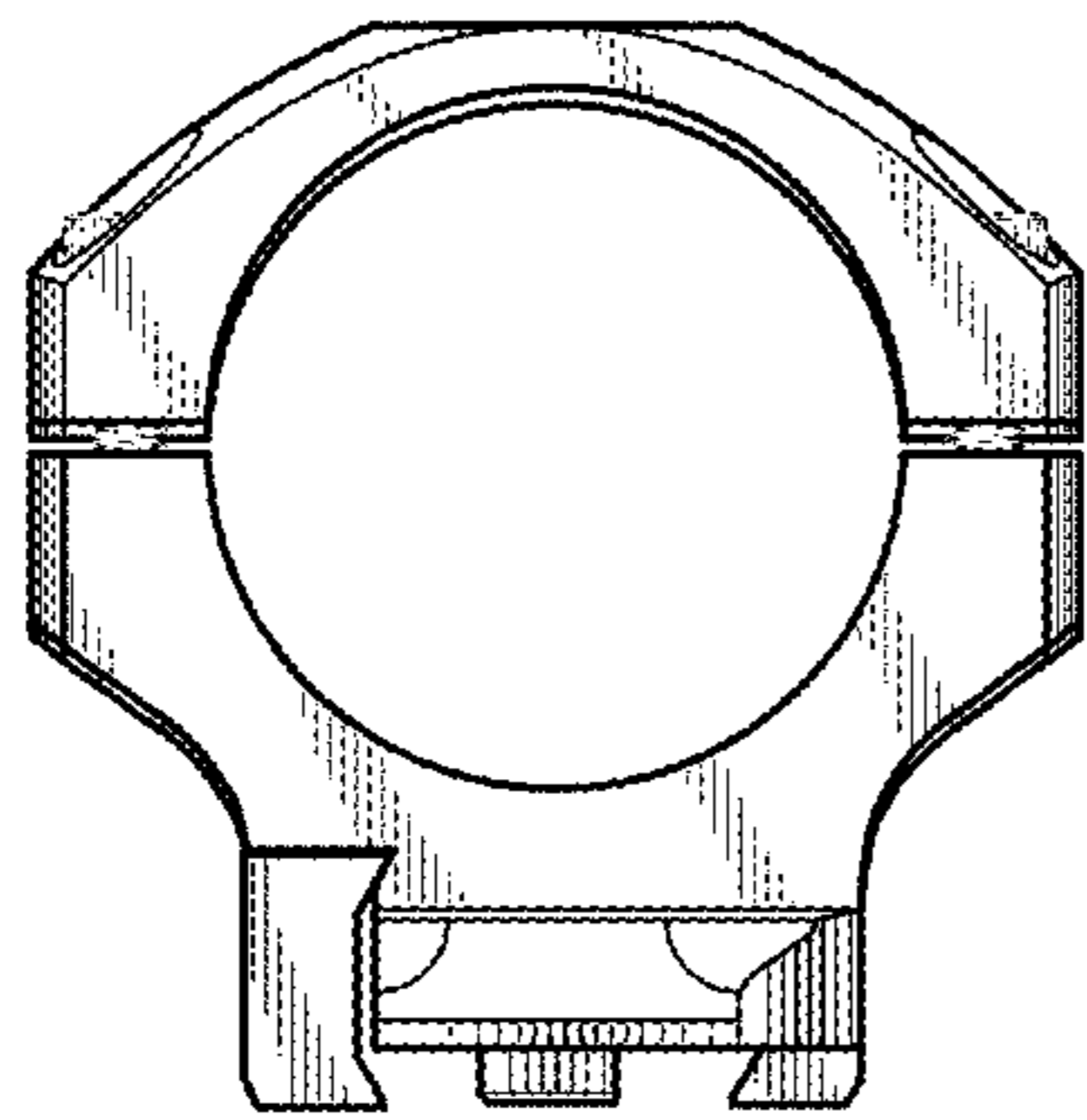


Fig. 7

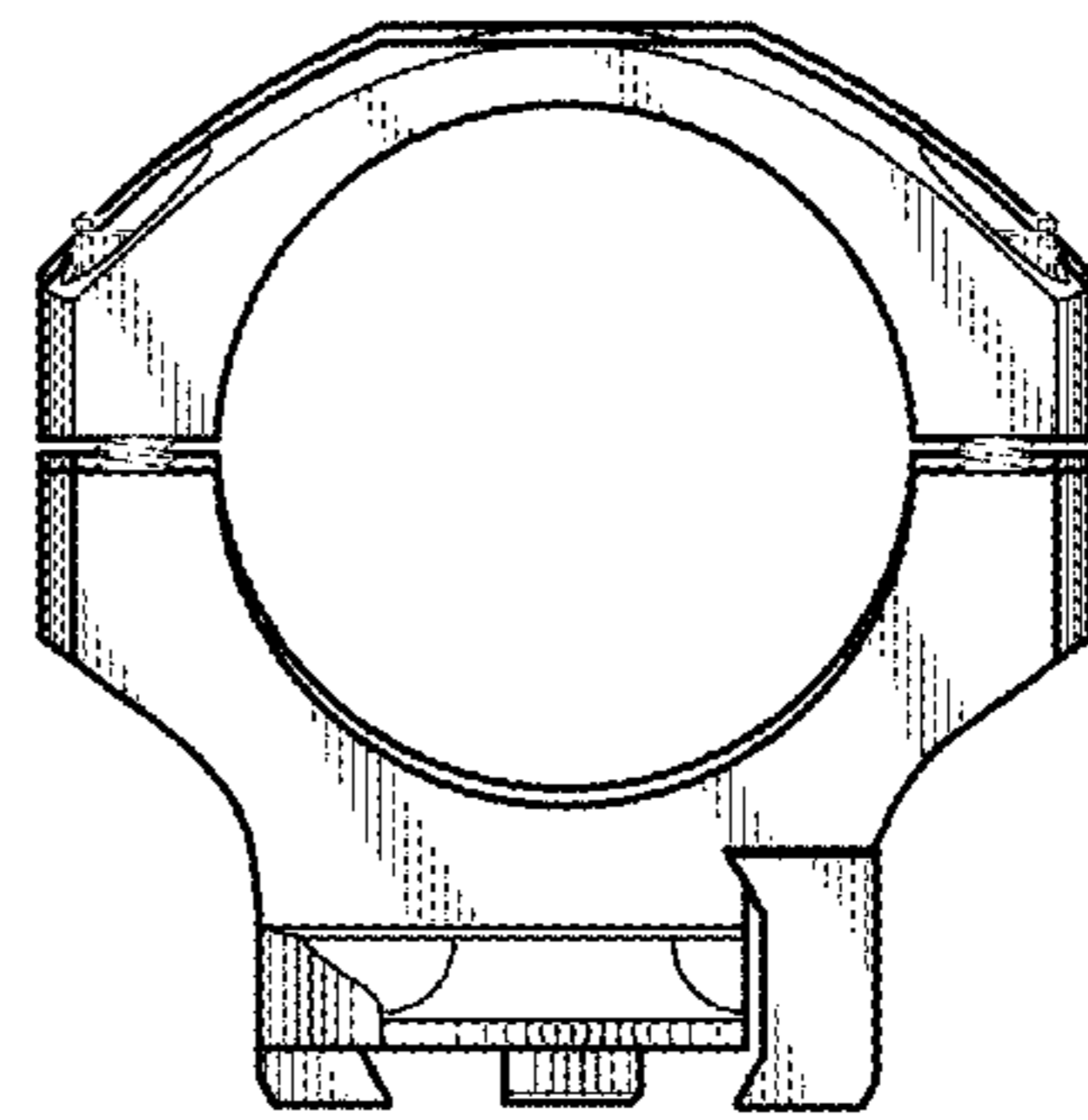


Fig. 8