



US00D948654S

(12) **United States Design Patent** (10) **Patent No.:** **US D948,654 S**
Gilman (45) **Date of Patent:** **** Apr. 12, 2022**

(54) **FIREARM LENGTH OF PULL LIMITING DEVICE**

(71) Applicant: **James Gilman**, Scottsdale, AZ (US)

(72) Inventor: **James Gilman**, Scottsdale, AZ (US)

(**) Term: **15 Years**

(21) Appl. No.: **29/730,582**

(22) Filed: **Apr. 6, 2020**

(51) **LOC (13) Cl.** **22-01**

(52) **U.S. Cl.**
USPC **D22/108**

(58) **Field of Classification Search**

USPC D8/16, 18, 19, 29, 366; D22/100, 101,
D22/103, 104, 105, 108, 199;
D21/573-575; D17/20, 21

CPC F41A 17/10; F41C 27/00; F41C 23/14
See application file for complete search history.

(56) **References Cited**

U.S. PATENT DOCUMENTS

| | | | | |
|-------------------|---------|------------|-------|------------|
| D500,114 S * | 12/2004 | Oz | | D22/109 |
| D614,464 S * | 4/2010 | Wessel, IV | | D8/29 |
| 8,397,414 B2 * | 3/2013 | Walters | | F41C 23/20 |
| | | | | 89/158 |
| D777,286 S * | 1/2017 | Weigand | | D22/108 |
| D779,982 S * | 2/2017 | Madrid | | D10/70 |
| D830,489 S * | 10/2018 | Cross | | D22/108 |
| D907,158 S * | 1/2021 | Bender | | D22/108 |
| 2015/0176944 A1 * | 6/2015 | Kupanoff | | F41C 23/12 |
| | | | | 42/73 |
| 2018/0066916 A1 * | 3/2018 | Olsen | | F41C 23/14 |

OTHER PUBLICATIONS

Turpinator. "Length of Pull LOP Limiter" Posted: Sep. 29, 2019 [visited: Dec. 21, 2021] Thingiverse URL: <https://www.thingiverse.com/thing:3887345/files> (Year: 2019).*

00turbo. "Length of Pull Limiter LOP Set of 4 3D Printed" Posted: Mar. 31, 2021 [visited: Dec. 21, 2021] ebay URL: <https://www.ebay.com/itm/265061542312> (Year: 2021).*

AB Prototype. "AB Prototype Length of Pull Limiter Kit, Black" [visited Dec. 21, 2021] abprototype URL: <https://www.abprototype.com/ab-prototype-length-of-pull-limiter-kit-black/> (Year: 2021).*

SB Tactical, LOPL Length of Pull Limiter, Retrieved from the Internet: <https://www.sb-tactical.com/product/lopl-length-of-pull-limiter/> [downloaded Apr. 6, 2020], 3 pages.

* cited by examiner

Primary Examiner — Marissa J Cash

Assistant Examiner — Jessie Anne E Touart

(74) *Attorney, Agent, or Firm* — Adam R. Stephenson, Ltd.

(57) **CLAIM**

The ornamental design for a firearm length of pull limiting device, as shown and described.

DESCRIPTION

FIG. 1 is a top, left side perspective view of a firearm length of pull limiting device;

FIG. 2 is a rear view thereof;

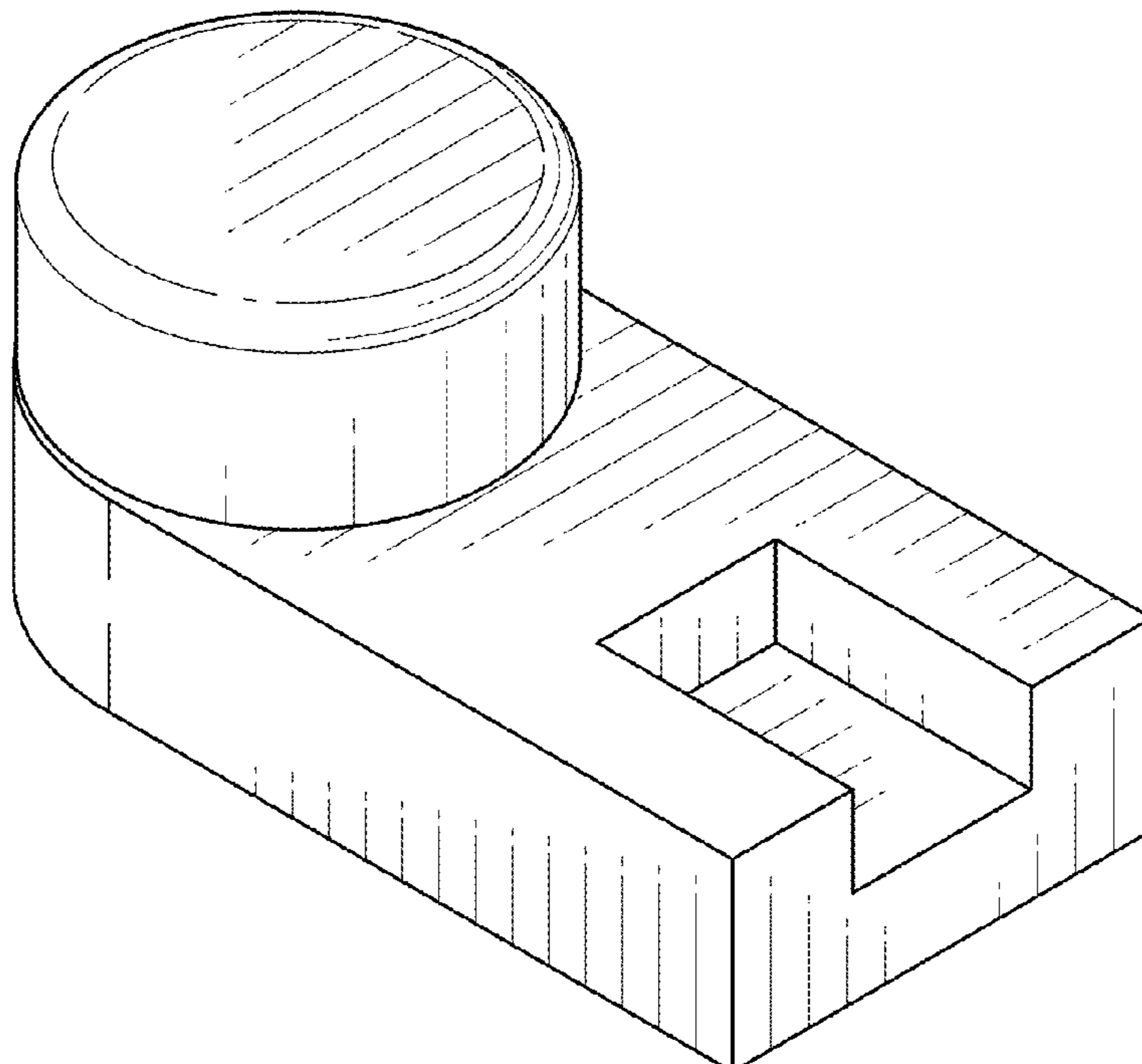
FIG. 3 is a front view thereof;

FIG. 4 is a right side view thereof, the left side being a mirror image;

FIG. 5 is a top view thereof; and,

FIG. 6 is a bottom view thereof.

1 Claim, 3 Drawing Sheets



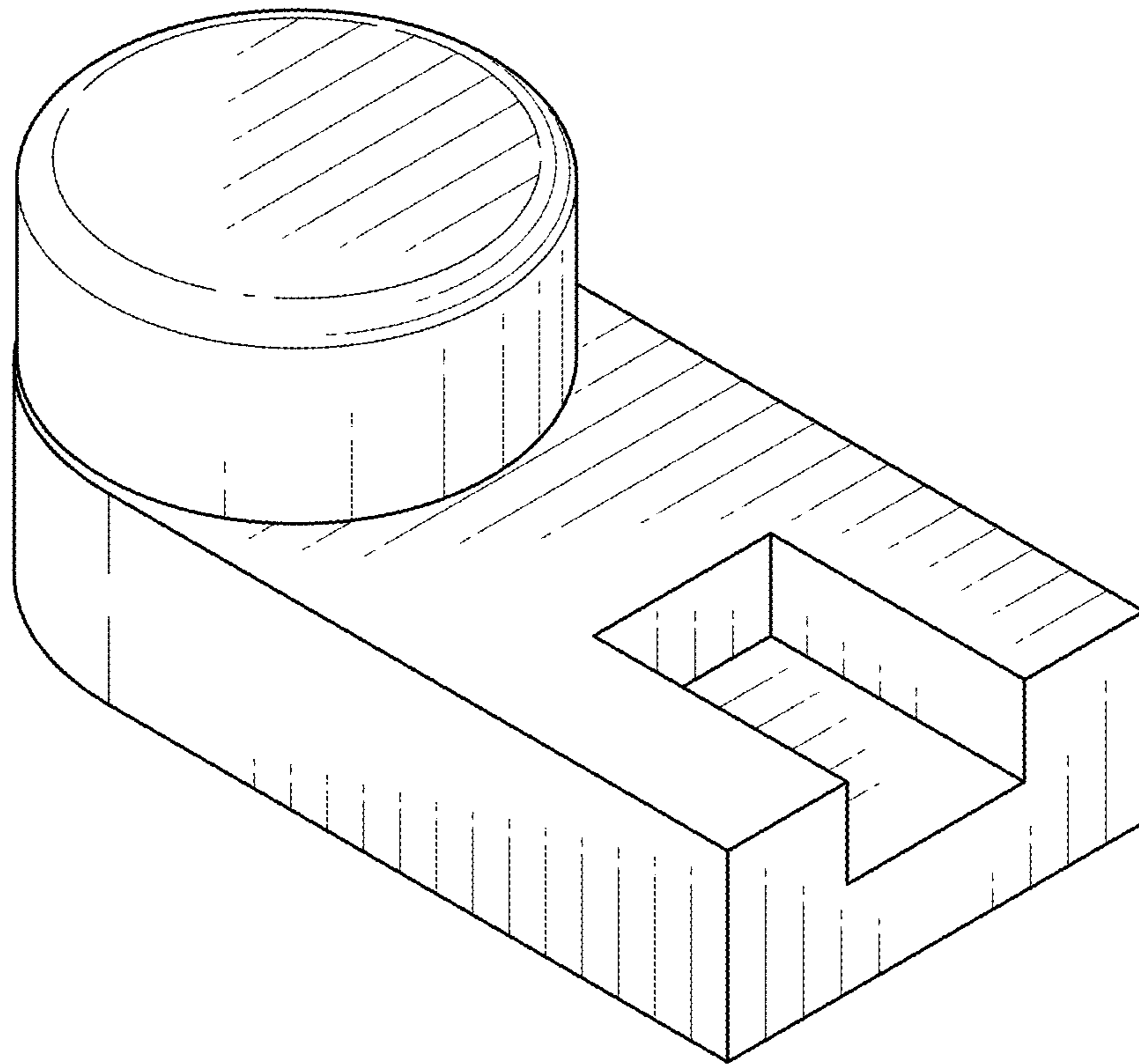


FIG. 1

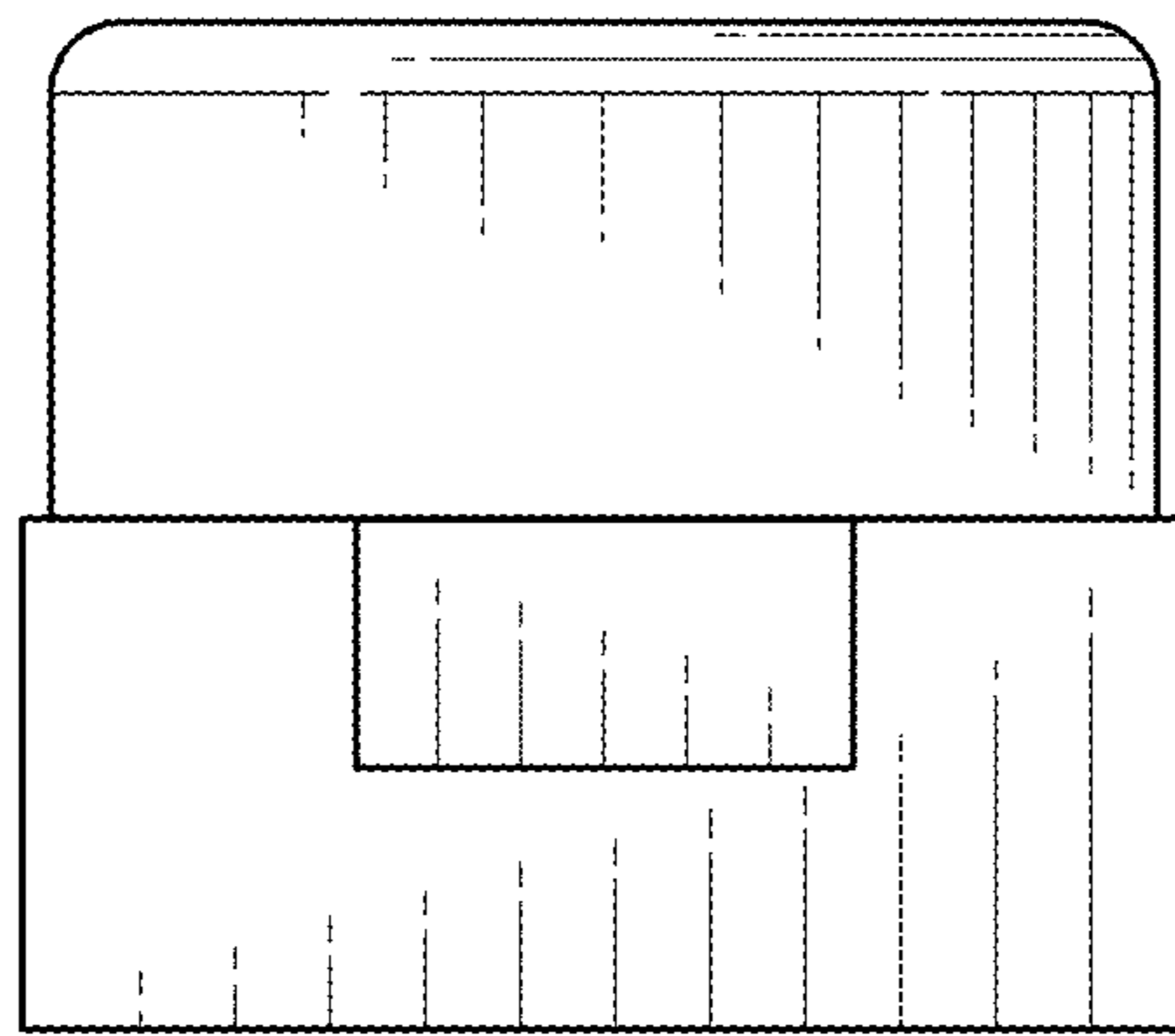


FIG. 2

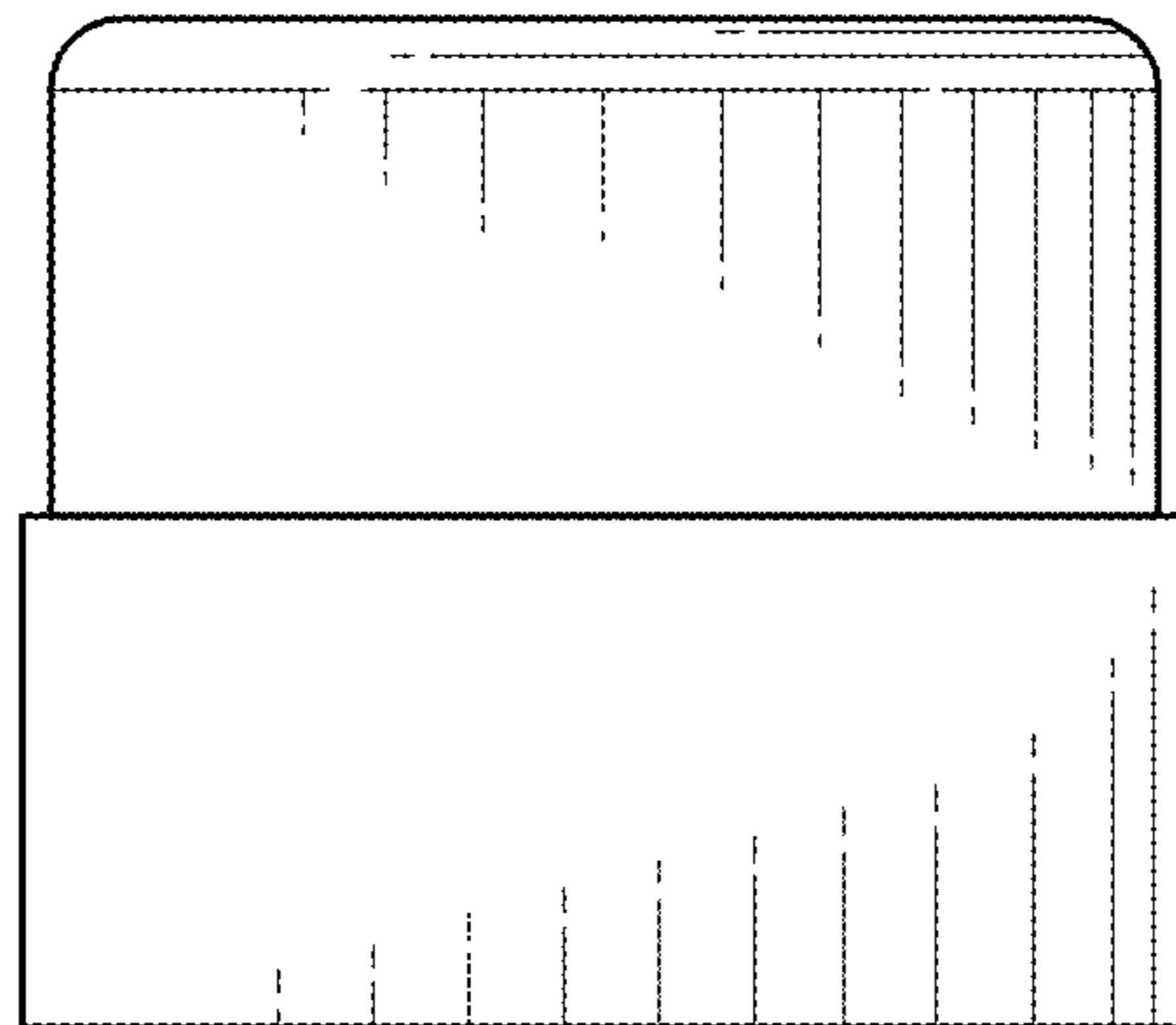


FIG. 3

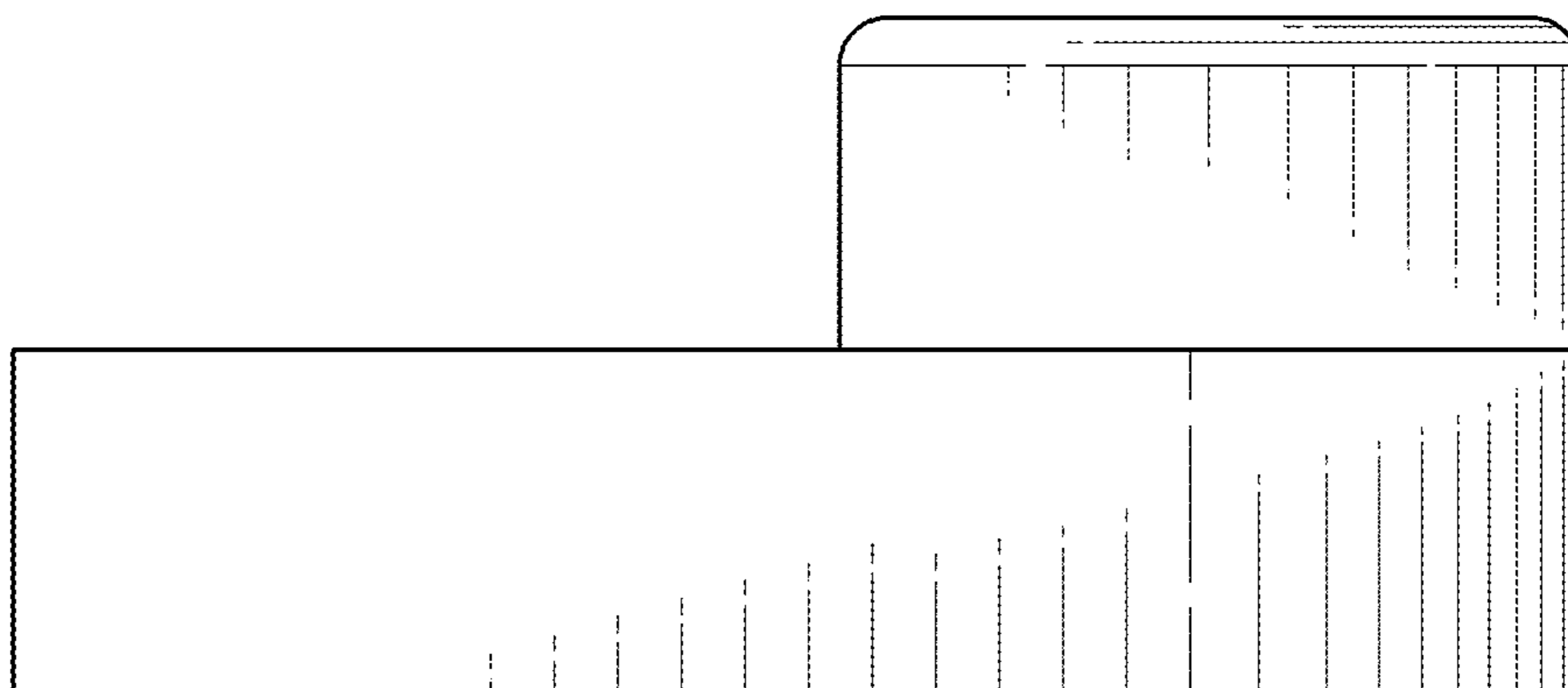


FIG. 4

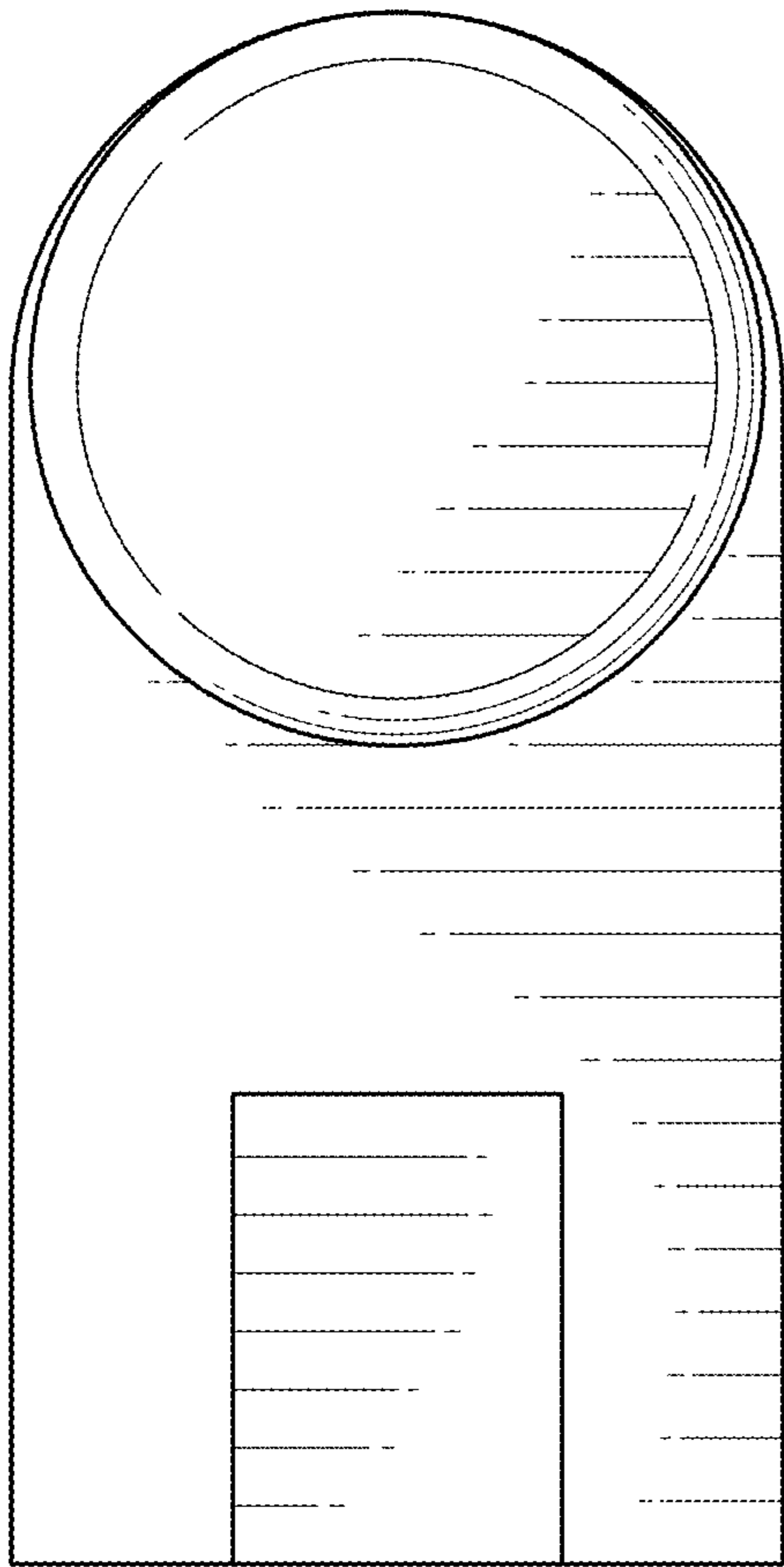


FIG. 5

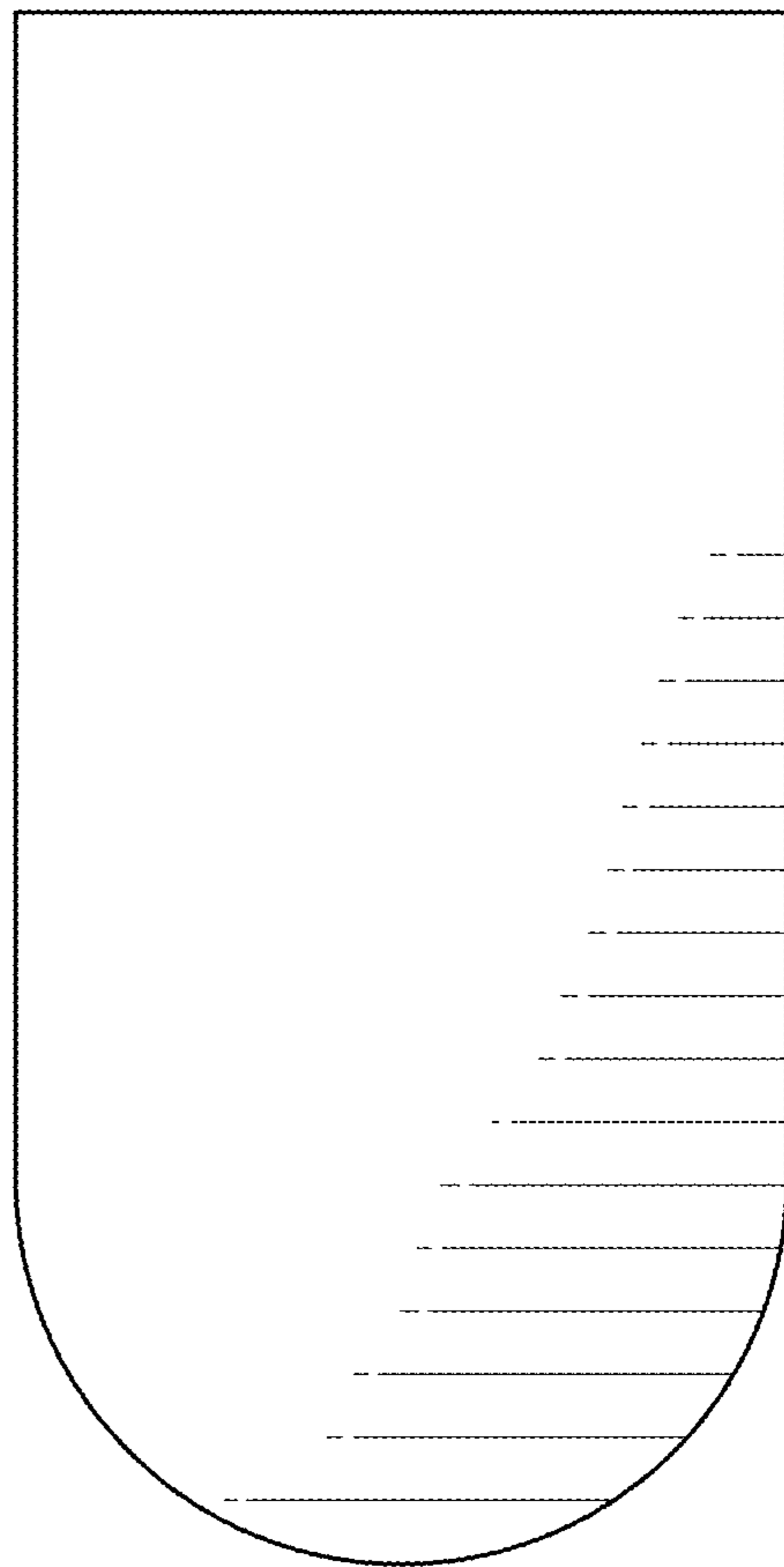


FIG. 6