



US00D948651S

(12) **United States Design Patent**  
**Li**

(10) **Patent No.:** **US D948,651 S**

(45) **Date of Patent:** **\*\* Apr. 12, 2022**

(54) **SHARK SWIMMING CIRCLE**

(71) Applicant: **Yan Li**, Shenzhen (CN)

(72) Inventor: **Yan Li**, Shenzhen (CN)

(73) Assignee: **SHENZHEN QIANHAI JUNLIAN NETWORK TECHNOLOGY CO., LTD.**, Shenzhen (CN)

(\*\*) Term: **15 Years**

(21) Appl. No.: **29/782,448**

(22) Filed: **May 6, 2021**

(51) **LOC (13) Cl.** ..... **21-02**

(52) **U.S. Cl.**  
USPC ..... **D21/808**

(58) **Field of Classification Search**  
USPC ..... D21/801, 803, 808, 809; D6/595, 596, D6/597, 598, 601  
CPC ..... B63B 32/20; B63B 32/22; B63B 32/51; B63B 32/54; B63B 35/58; B63B 35/607; B63B 35/613; B63B 35/62  
See application file for complete search history.

(56) **References Cited**

**U.S. PATENT DOCUMENTS**

D245,723 S \* 9/1977 Rumbaugh ..... D21/808  
D299,500 S 1/1989 Geraci

D445,285 S \* 7/2001 Kwapis ..... D21/808  
D731,002 S \* 6/2015 Phillips ..... D21/599  
D838,797 S \* 1/2019 Denney, Jr. .... D21/808  
D882,711 S \* 4/2020 Engler ..... D21/808  
D882,713 S \* 4/2020 Engler ..... D21/808

\* cited by examiner

*Primary Examiner* — Zenia I Bennett

(74) *Attorney, Agent, or Firm* — Justin Lampel

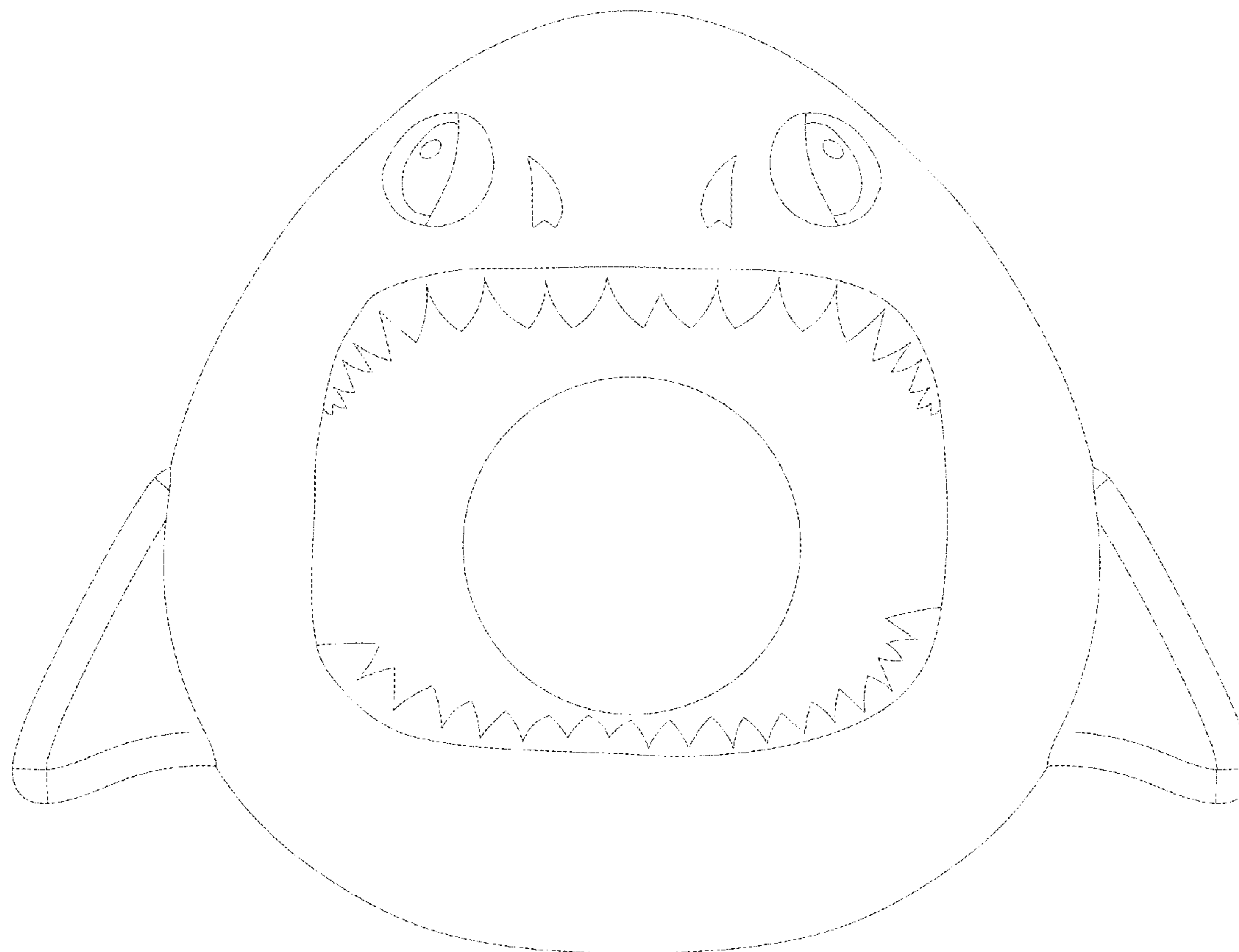
(57) **CLAIM**

The ornamental design for a shark swimming circle, as shown and described.

**DESCRIPTION**

FIG. 1 is a perspective view of a shark swimming circle showing the claimed design;  
FIG. 2 is a top plan view thereof;  
FIG. 3 is a left side view thereof;  
FIG. 4 is a front elevational view thereof;  
FIG. 5 is a right side view thereof;  
FIG. 6 is a rear elevational view thereof; and,  
FIG. 7 is a bottom plan view thereof.

**1 Claim, 7 Drawing Sheets**



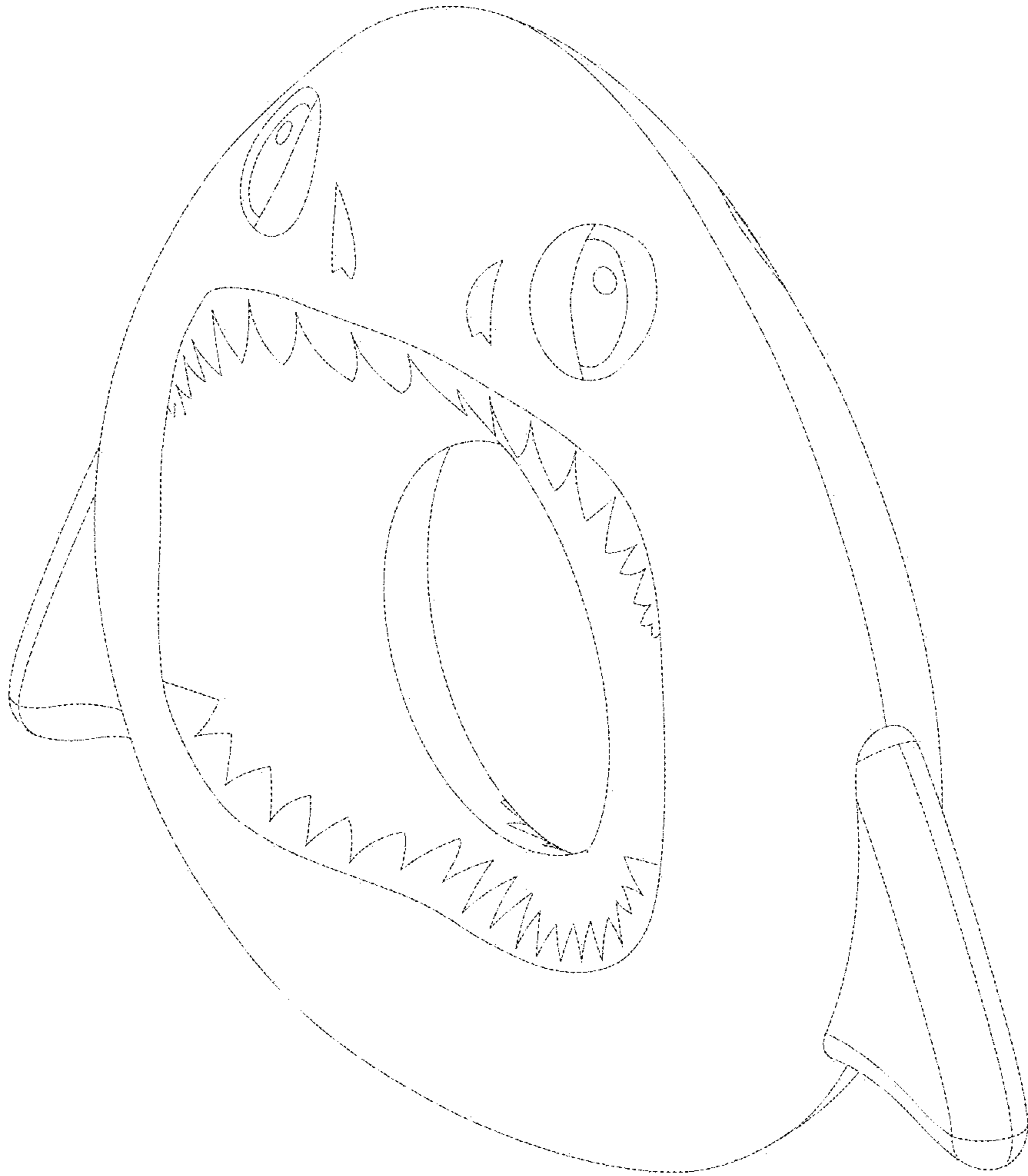


FIG.1

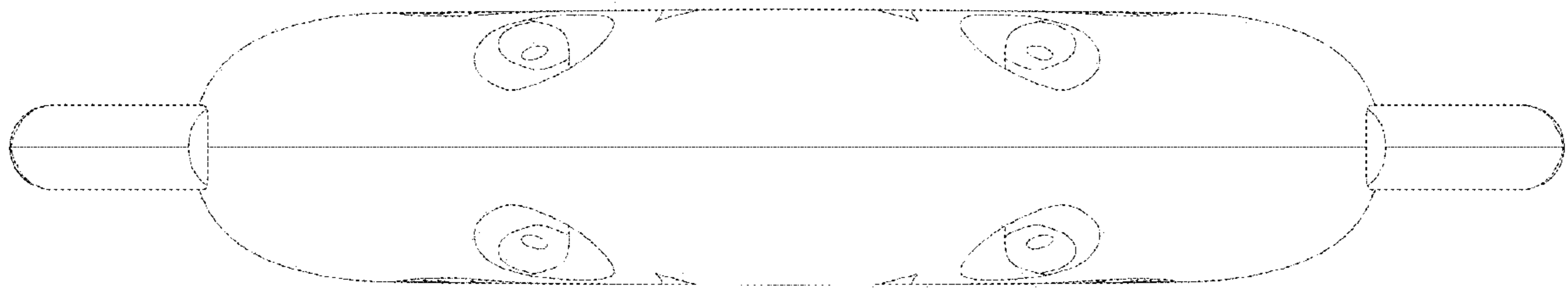


FIG. 2

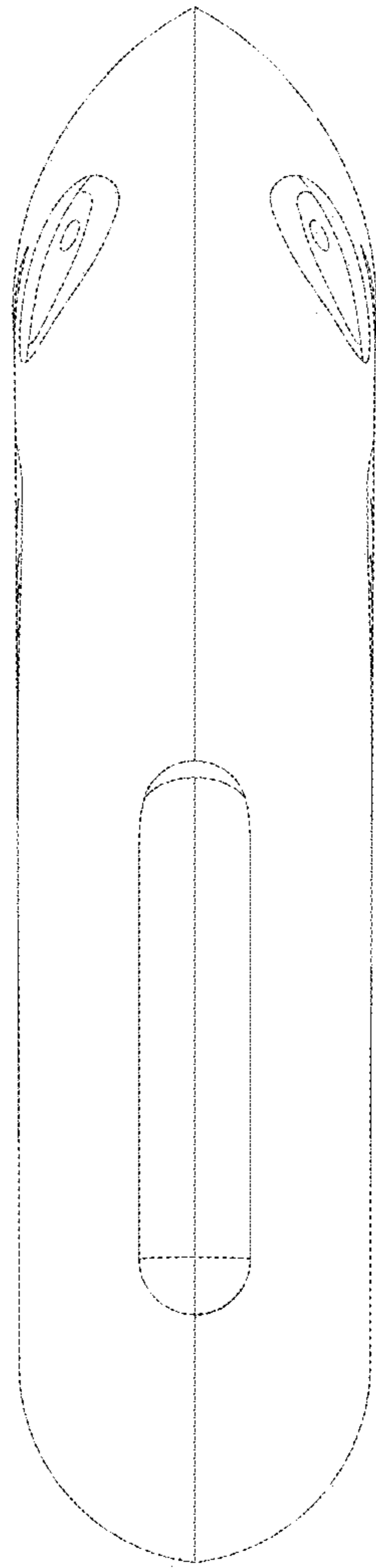


FIG.3

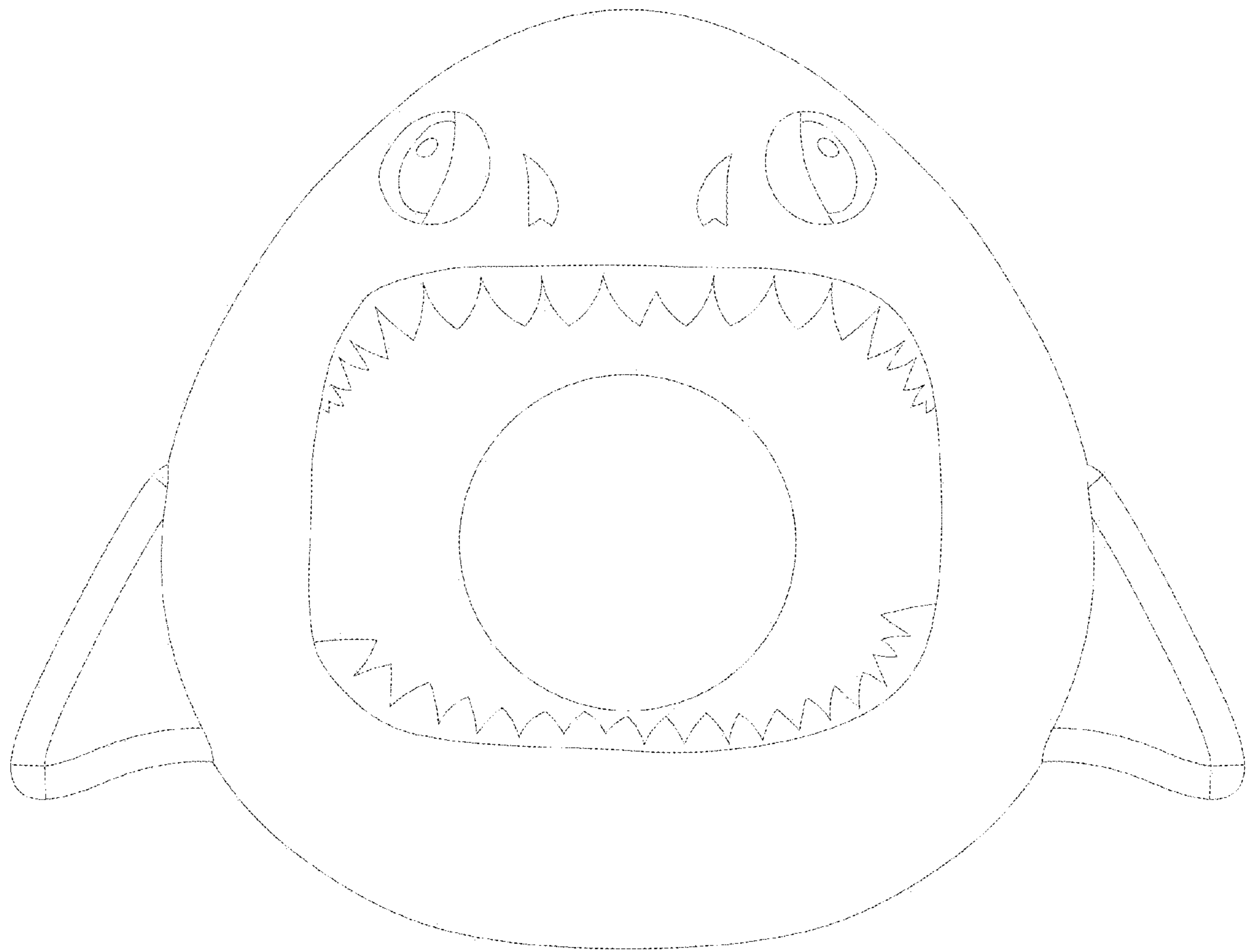


FIG. 4

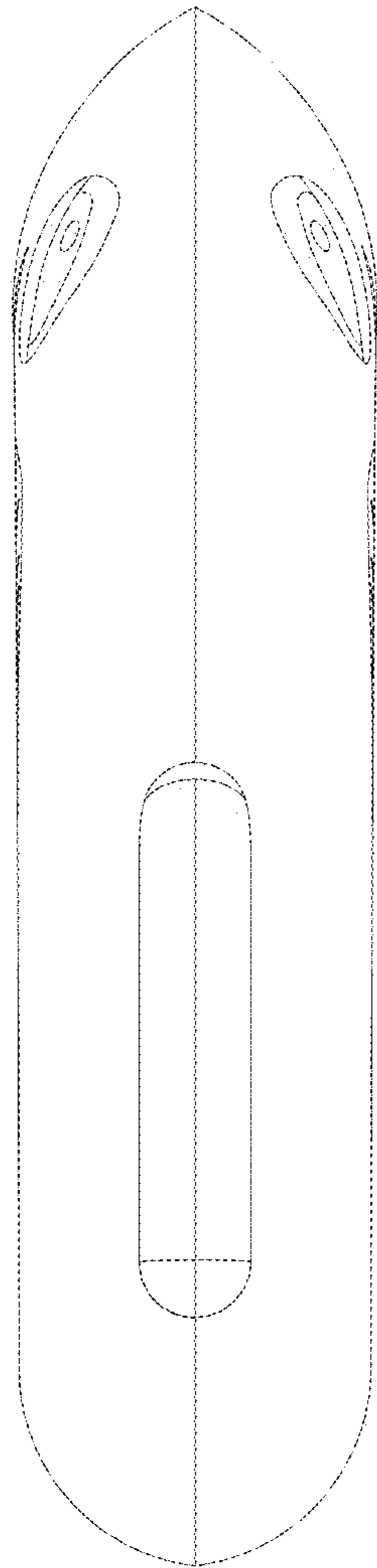


FIG.5

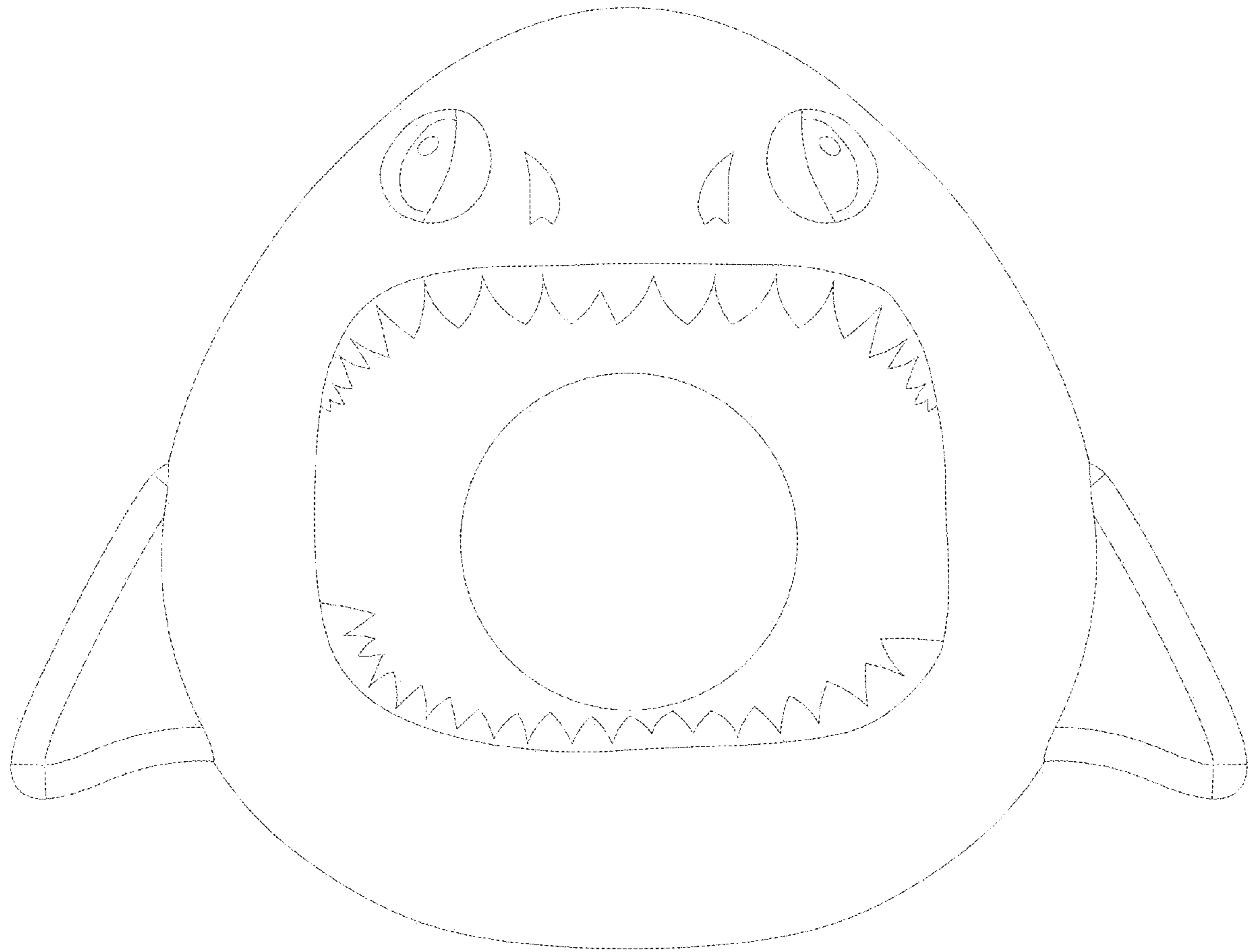


FIG. 6

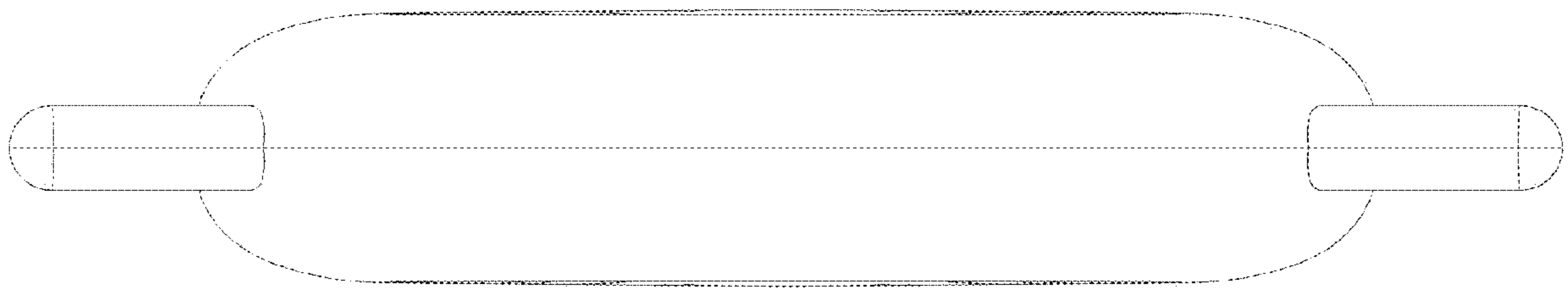


FIG. 7