



US00D948645S

(12) **United States Design Patent** (10) **Patent No.:** **US D948,645 S**
Chin (45) **Date of Patent:** **** Apr. 12, 2022**

- (54) **EXERCISE TENSION BAR**
- (71) Applicant: **T.K. Chin Company Ltd.**, Taipei (TW)
- (72) Inventor: **Howard Chin**, Taipei (TW)
- (73) Assignee: **T.K. Chin Company Ltd.**, Taipei (TW)
- (**) Term: **15 Years**
- (21) Appl. No.: **29/814,786**
- (22) Filed: **Nov. 9, 2021**

- 3,184,234 A 5/1965 Struble
 - 3,211,453 A 10/1965 Williams
 - 3,330,558 A 7/1967 Simons, Jr.
 - 3,396,967 A * 8/1968 Brown A63B 21/0455
482/46
 - 3,510,130 A 5/1970 Ferdinand
 - 3,666,267 A 5/1972 McKinney
 - 3,708,164 A 1/1973 Griffin
- (Continued)

FOREIGN PATENT DOCUMENTS

- CN 206715179 U 12/2017
 - CN 207152952 U 3/2018
- (Continued)

Related U.S. Application Data

- (62) Division of application No. 29/699,711, filed on Jul. 29, 2019.
- (51) **LOC (13) Cl.** **21-02**
- (52) **U.S. Cl.**
USPC **D21/693**
- (58) **Field of Classification Search**
USPC D21/468, 679, 684, 685, 692, 693, 694,
D21/798, 714, 713, 709, 681, 680, 677,
D21/662; D10/84; 482/93, 91, 50, 49,
482/46, 45, 44, 128, 127, 126, 122, 121
CPC A63B 21/4035; A63B 23/16; A63B 23/14;
A63B 21/00069; A63B 21/0004; A63B
21/023; G09B 15/06
See application file for complete search history.

OTHER PUBLICATIONS

TK Chin Fitness & Aerobic Products by TK Chin dated no date given. Found online—Jul. 27, 2021, <http://www.tkchin.com/products/c/4#>.

(Continued)

Primary Examiner — Ryan Harvey
(74) *Attorney, Agent, or Firm* — Karin L. Williams;
Mayer & Williams PC

(57) **CLAIM**

The ornamental design for an exercise tension bar, as shown.

DESCRIPTION

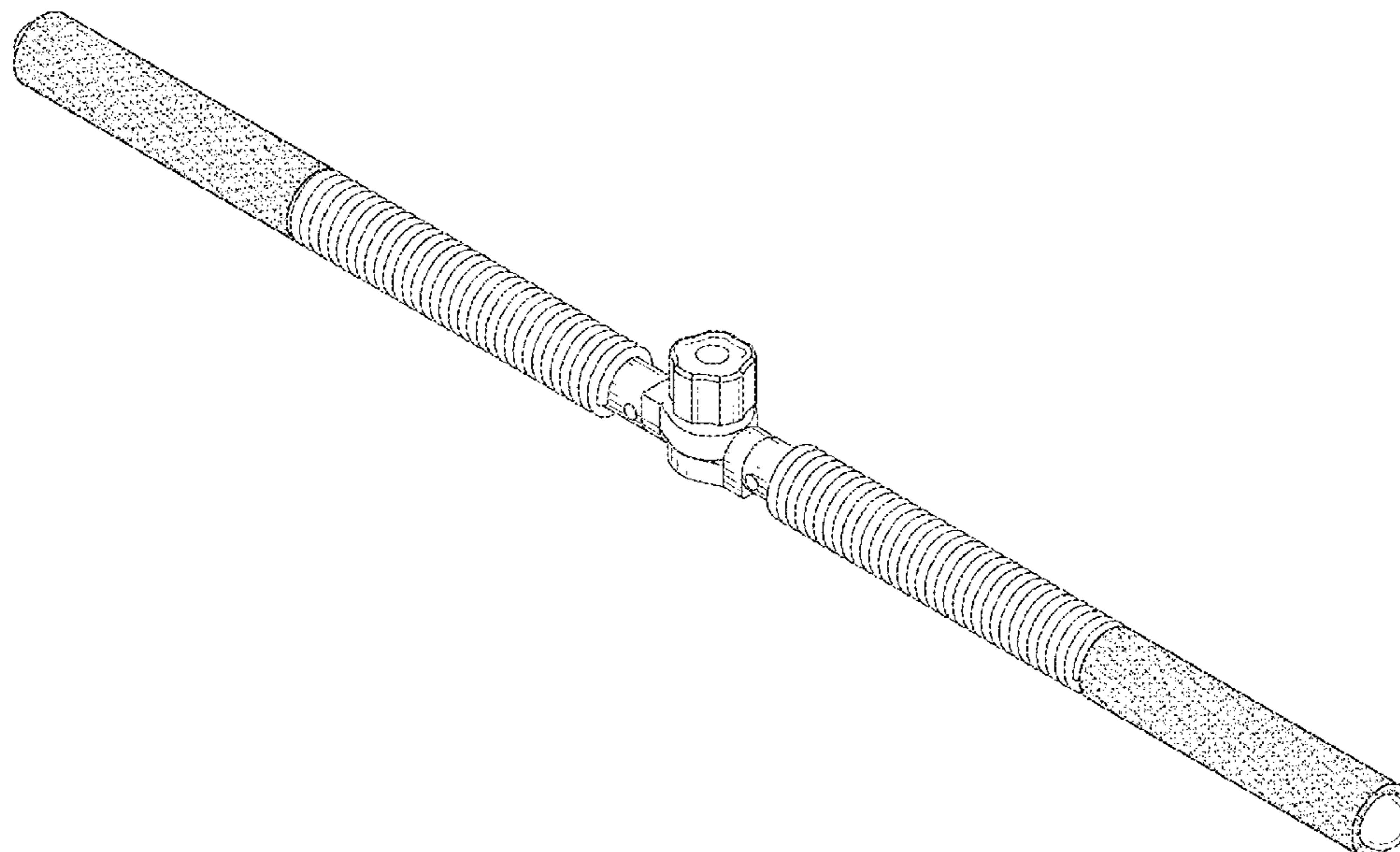
FIG. 1 is a perspective view of an exercise tension bar showing my new design;
FIG. 2 is a front elevation view thereof;
FIG. 3 is a rear elevation view thereof;
FIG. 4 is a left side elevation view thereof;
FIG. 5 is a right side elevation view thereof;
FIG. 6 is a top plan view thereof; and,
FIG. 7 is a bottom plan view thereof.

1 Claim, 7 Drawing Sheets

(56) **References Cited**

U.S. PATENT DOCUMENTS

- 2,106,994 A 2/1938 Chapman
- 2,668,055 A 2/1954 Sharp et al.
- 3,006,646 A 10/1961 Nanni
- 3,069,161 A 12/1962 Melchiona
- 3,084,547 A 4/1963 Nielsen
- 3,132,861 A * 5/1964 Horney A63B 21/023
482/46



(56)

References Cited

U.S. PATENT DOCUMENTS

3,717,338 A 2/1973 Hughes
 3,741,539 A 6/1973 Hutchins et al.
 4,095,789 A 6/1978 Mueller
 4,211,404 A 7/1980 Blowsky et al.
 4,249,729 A 2/1981 Gabrielidis
 D267,261 S 12/1982 Pataluch
 4,489,937 A 12/1984 Kong
 4,591,151 A 5/1986 Hensley
 4,643,417 A 2/1987 Nieman
 4,651,985 A 3/1987 Salisbury
 4,695,049 A 9/1987 Ciemiega
 4,702,474 A 10/1987 Guibert
 4,838,542 A 6/1989 Wilkinson
 4,856,776 A 8/1989 Ching-Liang
 4,913,417 A 4/1990 Francu
 5,046,727 A 9/1991 Wilkinson et al.
 D328,113 S 7/1992 Wilkinson et al.
 5,244,442 A 9/1993 Schill
 5,507,712 A 4/1996 Chang
 5,569,137 A 10/1996 Uen
 5,620,398 A 4/1997 Moriarty
 5,690,598 A 11/1997 Liang
 5,743,830 A 4/1998 Ho
 5,772,563 A 6/1998 Lin
 5,776,034 A 7/1998 Stamler
 D420,072 S 2/2000 Hershey
 6,090,023 A 7/2000 Liu
 6,179,749 B1 1/2001 Thorn et al.
 D438,266 S 2/2001 Levrett
 D442,504 S 5/2001 Stevens
 6,390,959 B1 5/2002 Tornabene et al.
 D470,201 S * 2/2003 Paull D21/684
 6,561,959 B2 5/2003 Batiste
 6,659,920 B1 * 12/2003 Kurz A63B 21/023
 482/110
 D508,097 S 8/2005 Perez

7,314,438 B1 * 1/2008 Clark A63B 21/0455
 482/107
 8,231,508 B1 7/2012 Rousseau
 8,747,286 B1 6/2014 Simon
 9,132,315 B1 9/2015 Chen
 D757,870 S 5/2016 Leslie
 9,387,360 B2 7/2016 Niederman
 10,220,237 B2 3/2019 Bentley
 D879,219 S 3/2020 Chen
 D886,217 S 6/2020 Chen
 10,974,087 B1 4/2021 Moon et al.
 2004/0132592 A1 7/2004 Yu
 2004/0142798 A1 7/2004 Liao et al.
 2005/0233877 A1 10/2005 Lin
 2006/0211551 A1 9/2006 Mandell
 2007/0238590 A1 10/2007 Jin
 2008/0076647 A1 3/2008 Fine
 2009/0042701 A1 2/2009 Tsai
 2010/0069207 A1 3/2010 Ko
 2013/0029811 A1 1/2013 Lando et al.
 2016/0074689 A1 3/2016 Anderson
 2018/0200558 A1 7/2018 Alnajjar
 2021/0008400 A1 1/2021 Chin

FOREIGN PATENT DOCUMENTS

CN 207187018 U 4/2018
 TW M589572 U 1/2020

OTHER PUBLICATIONS

Screen print of Amazon (CN) website; https://www.amazon.cn/dp/BOOEOSLFDU/ref=pd_rhf_se_p_img_1?_encoding=UTF8&psc=1&refRID=T6PJ3XCZQA8P9DCK8KGD; launched on Aug. 21, 2012; printed Jul. 29, 2019; 6 pages.
 Screen print of shopping website PChome 24h; <https://24h.pchome.com.tw/prod/DEBYAD-A9009EHLN>; printed Jul. 29, 2019; 7 pages.

* cited by examiner

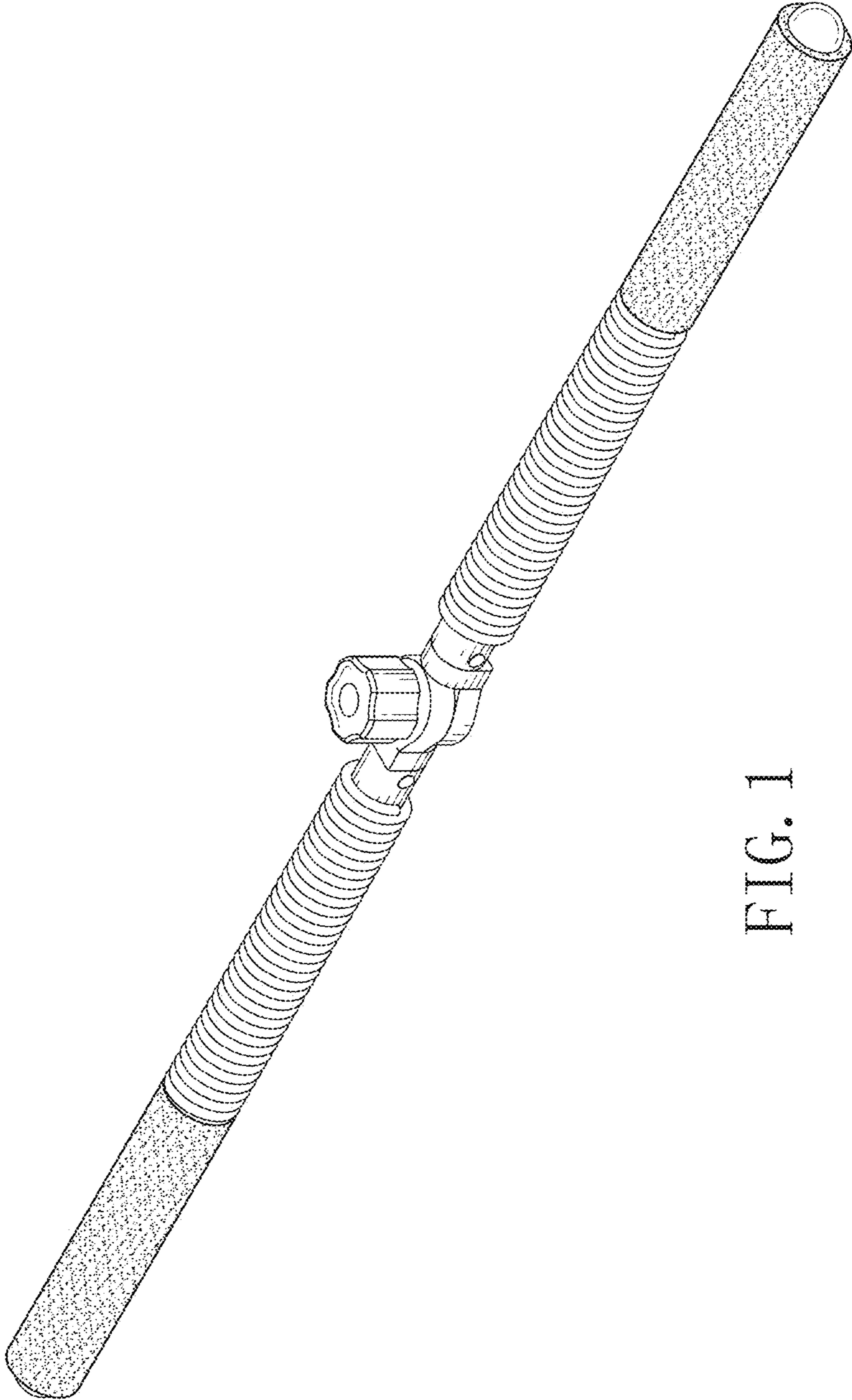


FIG. 1

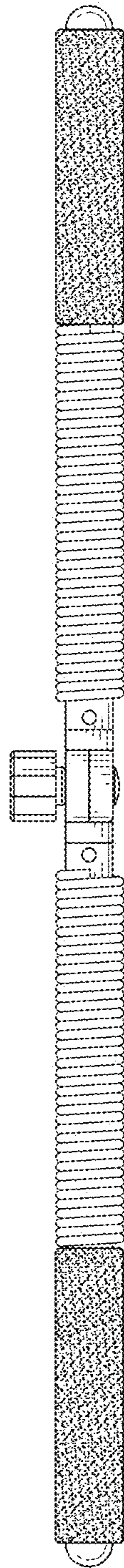


FIG. 2

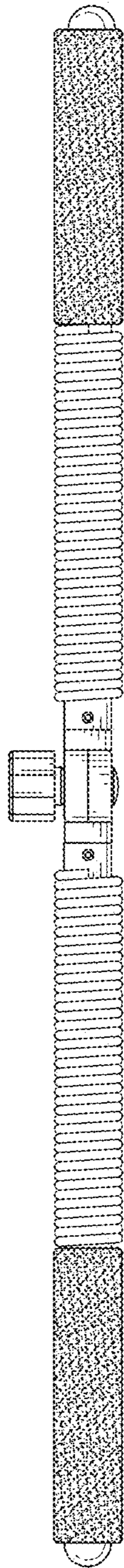


FIG. 3

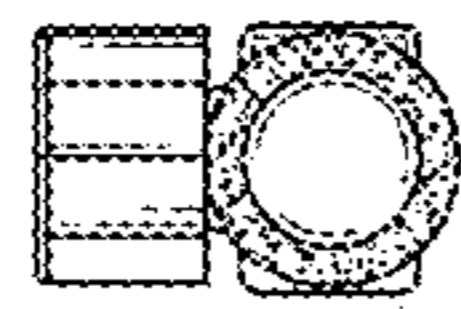


FIG. 4

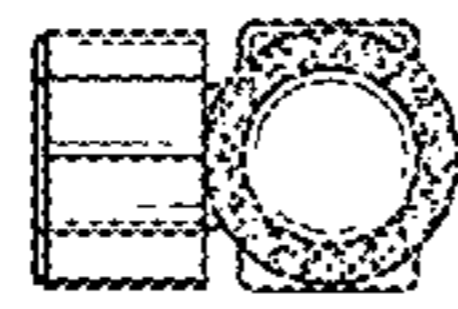


FIG. 5



FIG. 6



FIG. 7