



US00D948644S

(12) **United States Design Patent**
Chin

(10) **Patent No.:** **US D948,644 S**

(45) **Date of Patent:** **** Apr. 12, 2022**

- (54) **EXERCISE TENSION BAR**
- (71) Applicant: **T.K. Chin Company Ltd.**, Taipei (TW)
- (72) Inventor: **Howard Chin**, Taipei (TW)
- (73) Assignee: **T.K. Chin Company Ltd.**, Taipei (TW)
- (**) Term: **15 Years**
- (21) Appl. No.: **29/699,711**
- (22) Filed: **Jul. 29, 2019**

(30) **Foreign Application Priority Data**

Jul. 10, 2019 (TW) 108124371

(51) **LOC (13) Cl.** **21-02**

(52) **U.S. Cl.**
USPC **D21/693**

(58) **Field of Classification Search**
USPC D21/468, 679, 684, 685, 692, 693, 694,
D21/798, 714, 713, 709, 681, 680, 677,
D21/662; D10/84; 482/93, 91, 50, 49,
482/46, 45, 44, 128, 127, 126, 122, 121
CPC A63B 21/4035; A63B 23/16; A63B 23/14;
A63B 21/00069; A63B 21/0004; A63B
21/023; G09B 15/06

See application file for complete search history.

(56) **References Cited**

U.S. PATENT DOCUMENTS

- 2,106,994 A * 2/1938 Chapman A63B 21/05
482/126
- 2,668,055 A * 2/1954 Sharp A63B 23/14
482/46
- 3,006,646 A * 10/1961 Nanni A63B 21/0624
482/45
- 3,069,161 A * 12/1962 Melchiona A63B 23/14
482/46

- 3,084,547 A * 4/1963 Nielsen A63B 23/14
73/379.08
- 3,132,861 A * 5/1964 Horney A63B 21/023
482/46
- 3,184,234 A * 5/1965 Struble A63B 23/14
482/46
- 3,211,453 A * 10/1965 Williams A63B 23/14
482/46
- 3,330,558 A * 7/1967 Simons, Jr. A63B 23/14
482/46
- 3,396,967 A * 8/1968 Brown A63B 21/0455
482/46
- 3,510,130 A * 5/1970 Ferdinand A63B 21/00043
482/46

(Continued)

OTHER PUBLICATIONS

TK chin by tkchin dated no date given. Found online [Jul. 27, 2021]
<http://www.tkchin.com/products/c/4#>.*

(Continued)

Primary Examiner — Ryan Harvey
(74) *Attorney, Agent, or Firm* — Alan D. Kamrath; Karin
L. Williams; Mayer & Williams PC

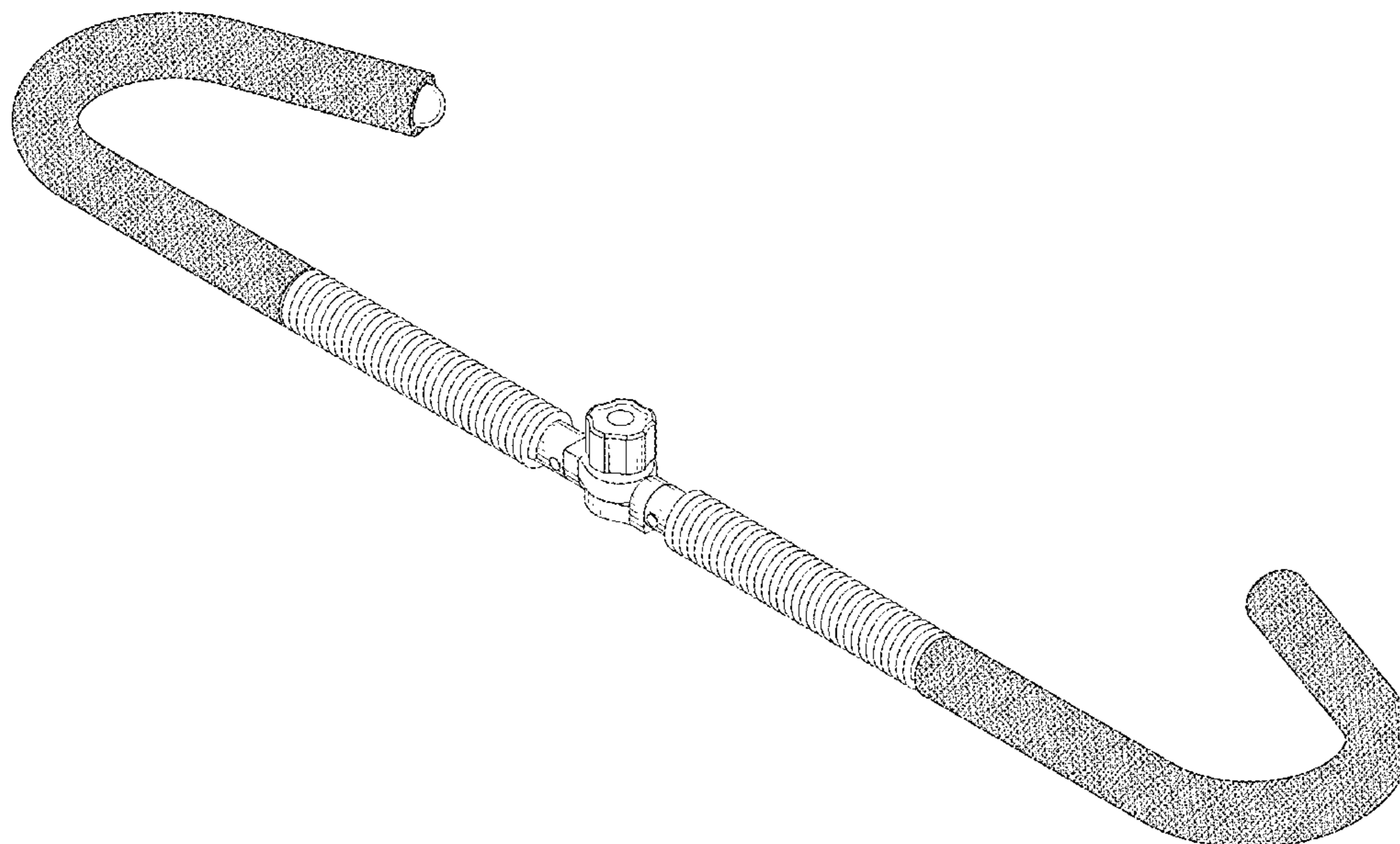
(57) **CLAIM**

The ornamental design for an exercise tension bar, as shown.

DESCRIPTION

FIG. 1 is a perspective view of an exercise tension bar showing my new design;
FIG. 2 is a front elevation view thereof;
FIG. 3 is a rear elevation view thereof;
FIG. 4 is a left side elevation view thereof;
FIG. 5 is a right side elevation view thereof;
FIG. 6 is a top plan view thereof; and,
FIG. 7 is a bottom plan view thereof.

1 Claim, 7 Drawing Sheets



(56)

References Cited

U.S. PATENT DOCUMENTS

3,666,267 A * 5/1972 McKinney A63B 21/015
482/46
3,708,164 A * 1/1973 Griffin A63B 23/14
482/46
3,717,338 A * 2/1973 Hughes A63B 23/14
482/46
3,741,539 A * 6/1973 Hutchins A63B 21/05
482/126
4,095,789 A * 6/1978 Mueller A63B 23/14
482/127
4,211,404 A * 7/1980 Blowsky A63B 21/00043
482/128
4,249,729 A * 2/1981 Gabrielidis A63B 21/00043
473/464
D267,261 S * 12/1982 Pataluch D21/679
4,489,937 A * 12/1984 Kong A63B 21/00043
482/126
4,591,151 A * 5/1986 Hensley A63B 23/14
482/126
4,643,417 A * 2/1987 Nieman A63B 21/015
482/46
4,651,985 A * 3/1987 Salisbury A63B 21/00043
482/122
4,695,049 A * 9/1987 Ciemiega A63B 23/14
482/115
4,702,474 A * 10/1987 Guibert A63B 21/0004
482/126
4,838,542 A * 6/1989 Wilkinson A63B 21/075
482/108
4,856,776 A * 8/1989 Ching-Liang A63B 21/045
482/122
4,913,417 A * 4/1990 Francu A63B 23/14
482/45
5,046,727 A * 9/1991 Wilkinson A63B 21/00069
482/45
D328,113 S * 7/1992 Wilkinson D21/681
5,244,442 A * 9/1993 Schill A63B 23/03533
482/45
5,569,137 A * 10/1996 Uen A63B 21/0004
482/121
5,620,398 A * 4/1997 Moriarty A63B 21/153
482/46
5,690,598 A * 11/1997 Liang A63B 23/14
482/121
5,743,830 A * 4/1998 Ho A63B 21/0004
482/122
5,776,034 A * 7/1998 Stamler A63B 23/14
482/45

D420,072 S * 2/2000 Hershey D21/684
6,179,749 B1 * 1/2001 Thorn A63B 21/05
482/44
D438,266 S * 2/2001 Levrett D21/684
D442,504 S * 5/2001 Stevens D10/84
6,390,959 B1 * 5/2002 Tornabene A63B 21/00043
482/122
6,561,959 B2 * 5/2003 Batiste A63B 21/0004
482/118
D508,097 S * 8/2005 Perez D21/662
8,231,508 B1 * 7/2012 Rousseau A63B 21/00069
482/44
8,747,286 B1 * 6/2014 Simon A63B 21/169
482/128
9,132,315 B1 * 9/2015 Chen A63B 21/4049
D757,870 S * 5/2016 Leslie D21/693
9,387,360 B2 * 7/2016 Niederman A63B 21/00069
10,220,237 B2 * 3/2019 Bentley A63B 21/00043
D879,219 S * 3/2020 Chen D21/692
D886,217 S * 6/2020 Chen D21/693
10,974,087 B1 * 4/2021 Moon A63B 21/0555
2004/0132592 A1 * 7/2004 Yu A63B 21/0004
482/126
2004/0142798 A1 * 7/2004 Liao A63B 21/05
482/126
2005/0233877 A1 * 10/2005 Lin A63B 21/026
482/126
2006/0211551 A1 * 9/2006 Mandell A63B 21/00185
482/121
2007/0238590 A1 * 10/2007 Jin A63B 23/12
482/121
2008/0076647 A1 * 3/2008 Fine A63B 21/152
482/126
2010/0069207 A1 * 3/2010 Ko A63B 21/00043
482/126
2013/0029811 A1 * 1/2013 Lando A63B 21/4035
482/121
2016/0074689 A1 * 3/2016 Anderson A63B 23/14
482/127
2018/0200558 A1 * 7/2018 Alnajjar A63B 21/0455
2021/0008400 A1 * 1/2021 Chin A63B 23/12

OTHER PUBLICATIONS

Screen print of Amazon (CN) website; https://www.amazon.cn/dp/B00E0SLFDU/ref=pd_rhf_se_p_img_1?encoding=UTF8&psc=1&refRID=T6PJ3XCZQA8P9DCK8KGD; launched on Aug. 21, 2012; printed Jul. 29, 2019; 6 pages.
Screen print of shopping website PChome 24h; <https://24h.pchome.com.tw/prod/DEBYAD-A9009EHLN>; printed Jul. 29, 2019; 7 pages.

* cited by examiner

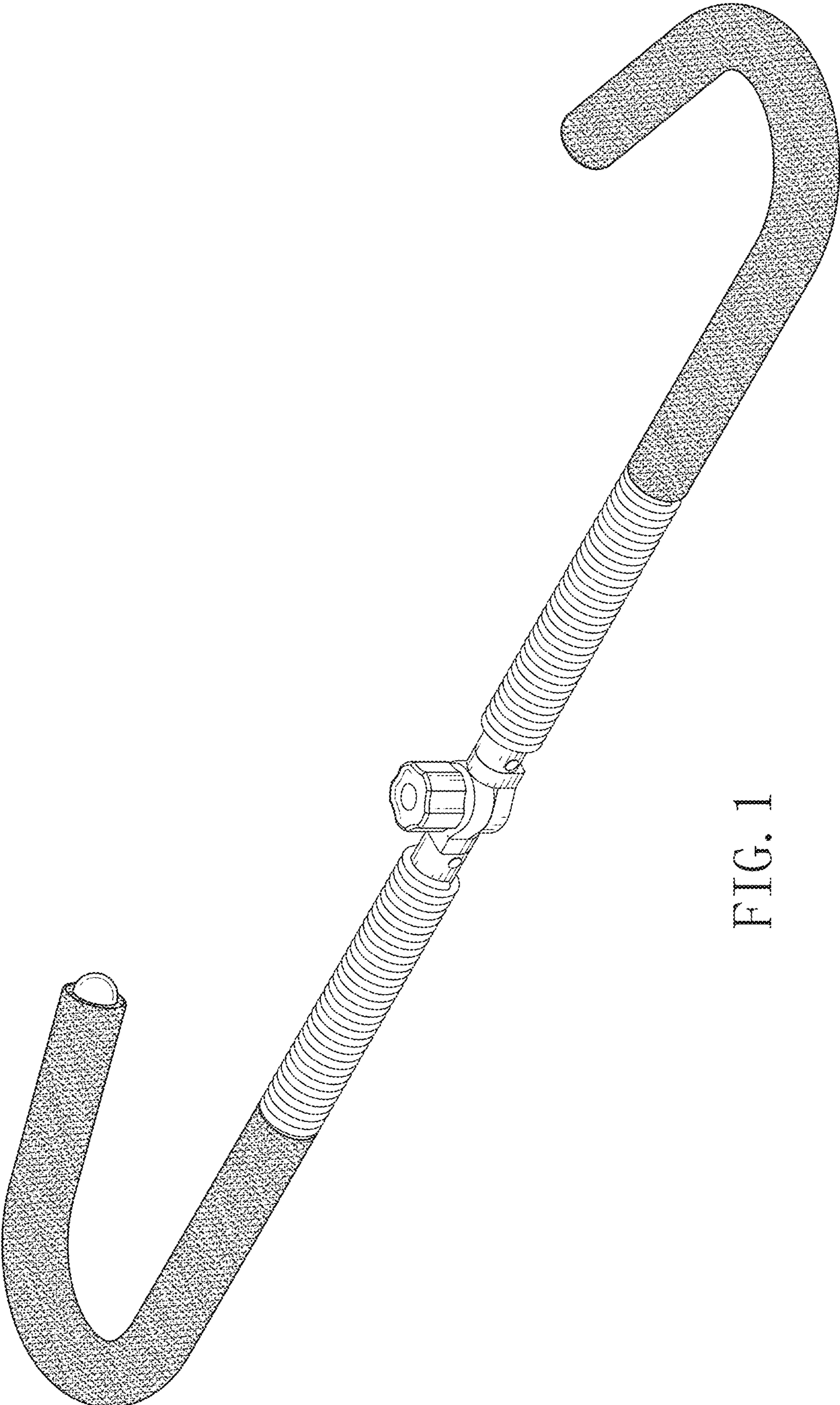


FIG. 1

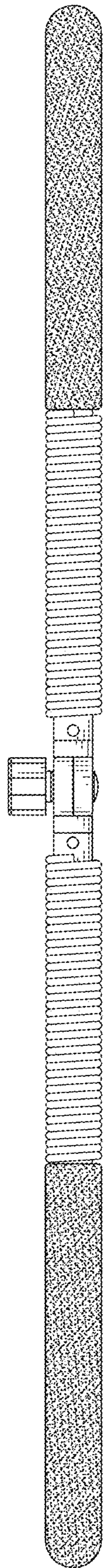


FIG. 2

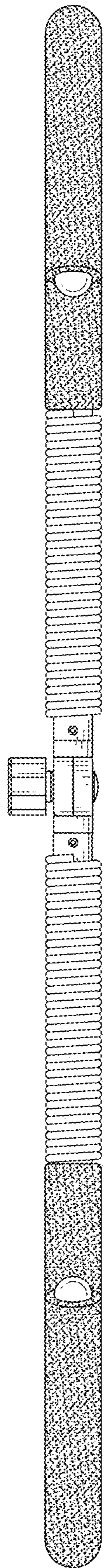


FIG. 3

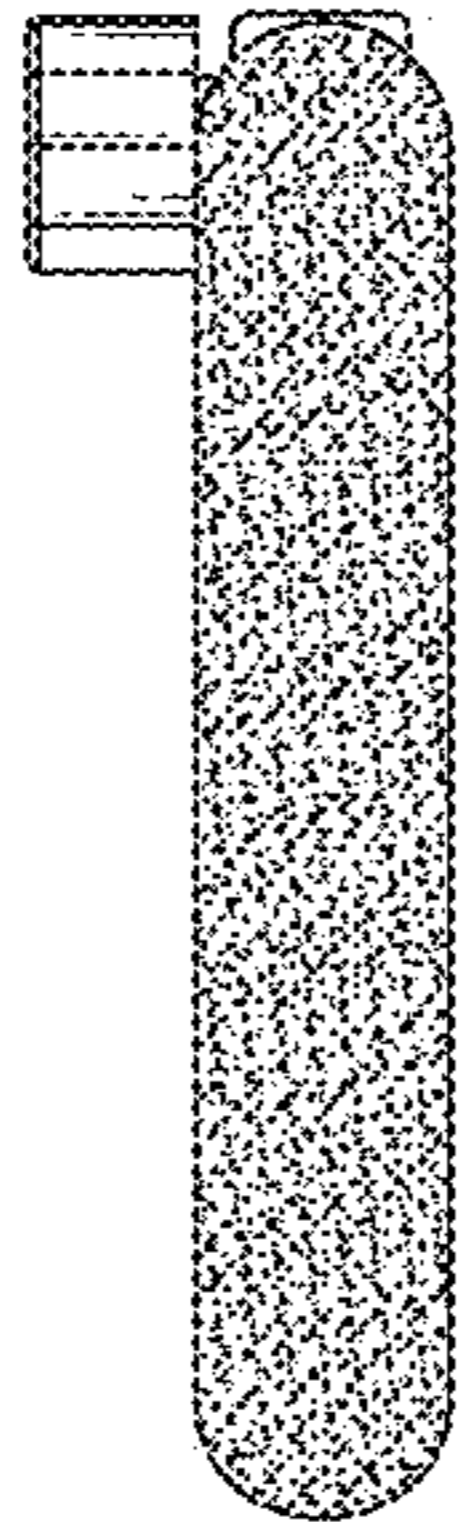


FIG. 4

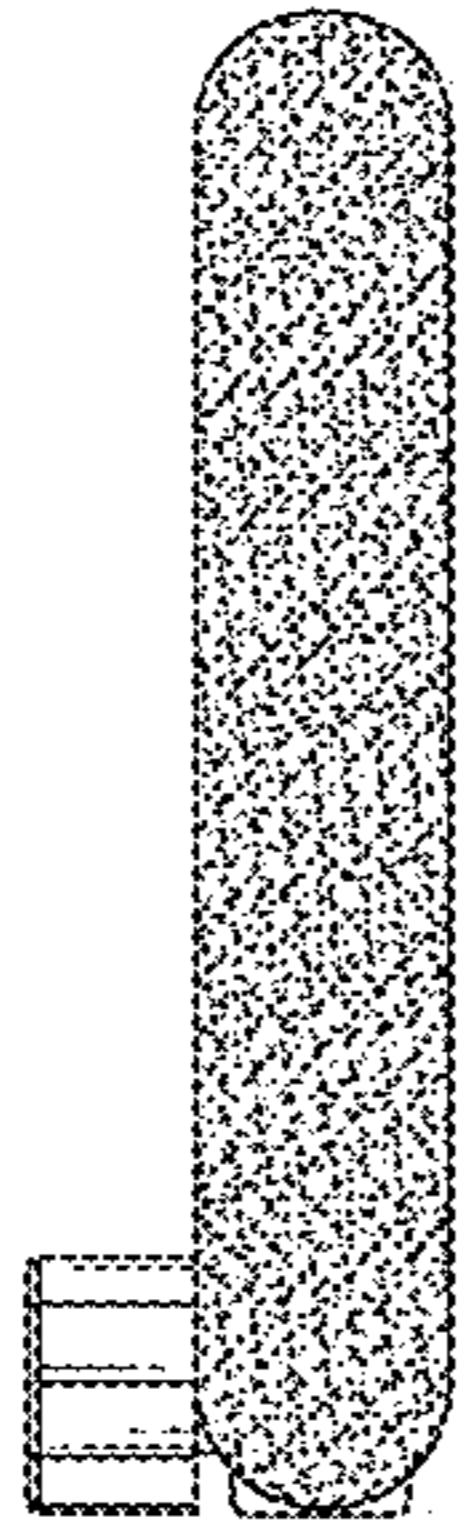


FIG. 5

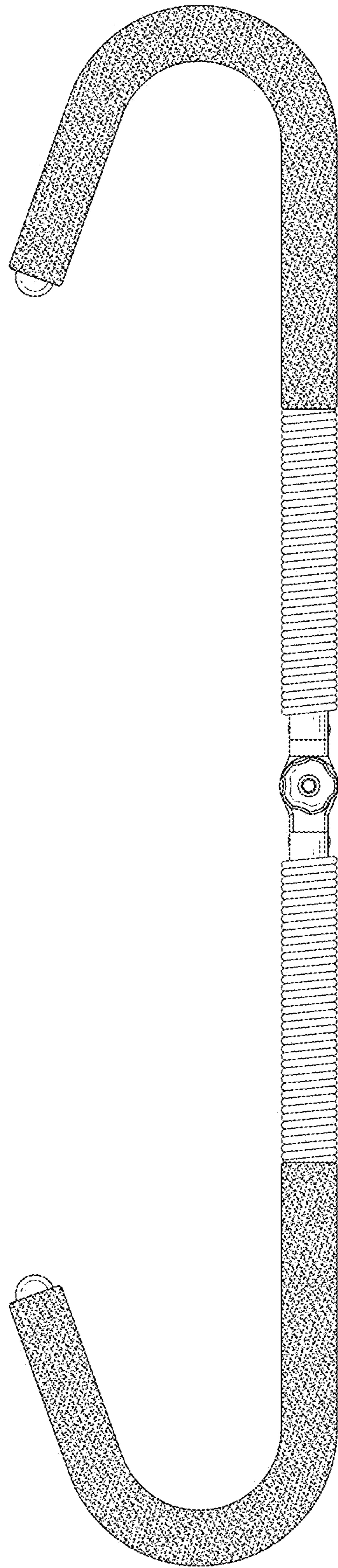


FIG. 6

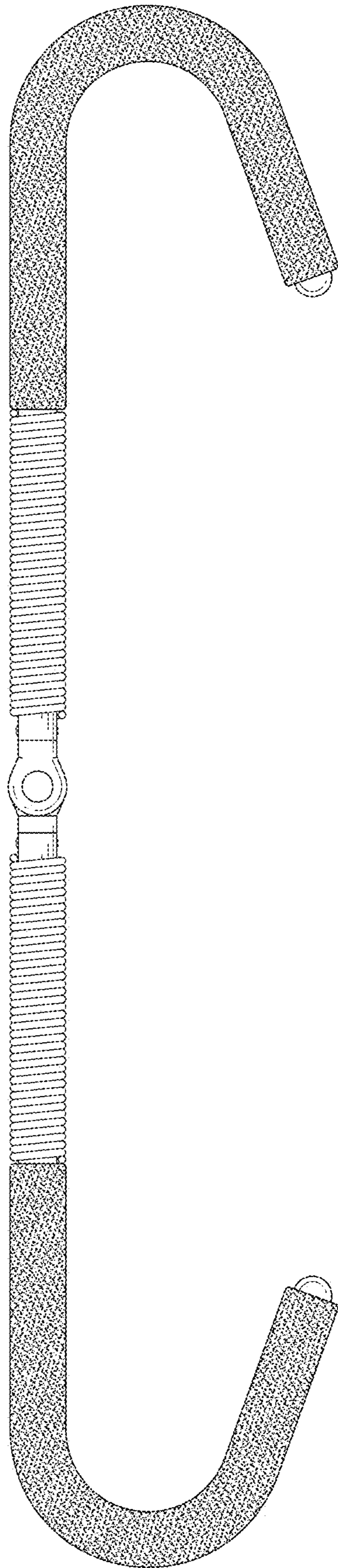


FIG. 7