



US00D948643S

(12) **United States Design Patent**  
**Ilfrey**

(10) **Patent No.:** **US D948,643 S**

(45) **Date of Patent:** **\*\* Apr. 12, 2022**

(54) **EXERCISE EQUIPMENT**

(71) Applicant: **Patrick Ilfrey**, Onalaska, WI (US)

(72) Inventor: **Patrick Ilfrey**, Onalaska, WI (US)

(\*\*) Term: **15 Years**

(21) Appl. No.: **29/742,222**

(22) Filed: **May 26, 2020**

(51) **LOC (13) Cl.** ..... **21-02**

(52) **U.S. Cl.**  
USPC ..... **D21/686**

(58) **Field of Classification Search**

USPC ..... D21/686, 694, 673, 665, 676, 677, 690,  
D21/679, 662, 691, 826; D6/512, 550,  
D6/553, 567, 572, 580; D12/223;  
D8/349, 354, 371, 355, 367, 372  
See application file for complete search history.

(56) **References Cited**

**U.S. PATENT DOCUMENTS**

D297,960 S \* 10/1988 Dyer ..... D21/676  
5,916,072 A \* 6/1999 Webber ..... A63B 21/154  
482/100

D439,939 S \* 4/2001 Batca ..... D21/675  
D439,941 S \* 4/2001 Batca ..... D21/675  
D487,294 S \* 3/2004 Gvoich ..... D21/670  
D490,865 S \* 6/2004 Giannelli ..... D21/675  
D512,113 S \* 11/2005 Carter ..... D21/675  
D675,266 S \* 1/2013 Alessandri ..... D21/675  
D807,445 S \* 1/2018 Gettle ..... D21/686

\* cited by examiner

*Primary Examiner* — Khawaja Anwar

*Assistant Examiner* — Julice Seung Eun Oum

(74) *Attorney, Agent, or Firm* — Chris Whewell

(57) **CLAIM**

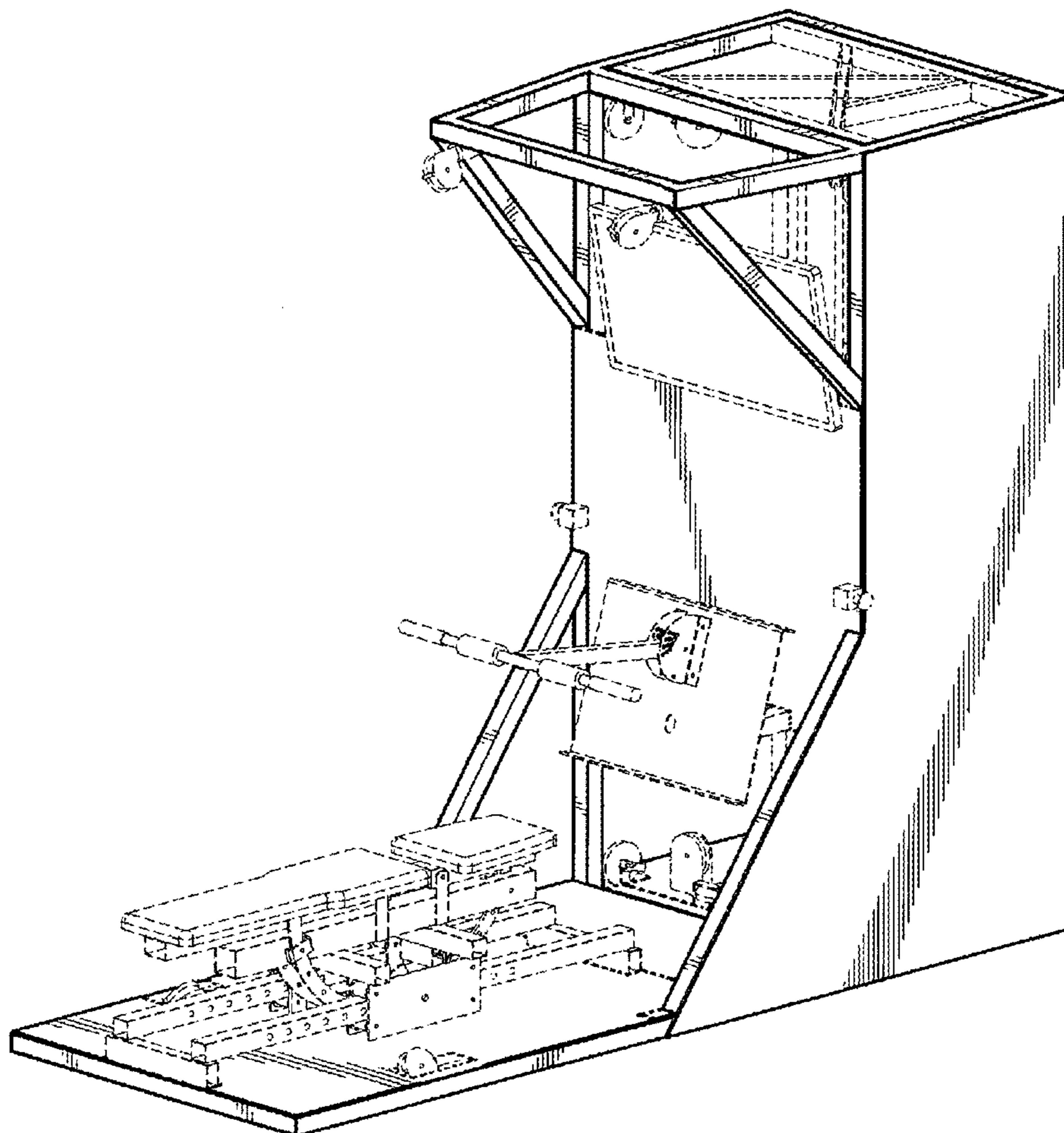
I claim the ornamental design for exercise equipment, as shown and described.

**DESCRIPTION**

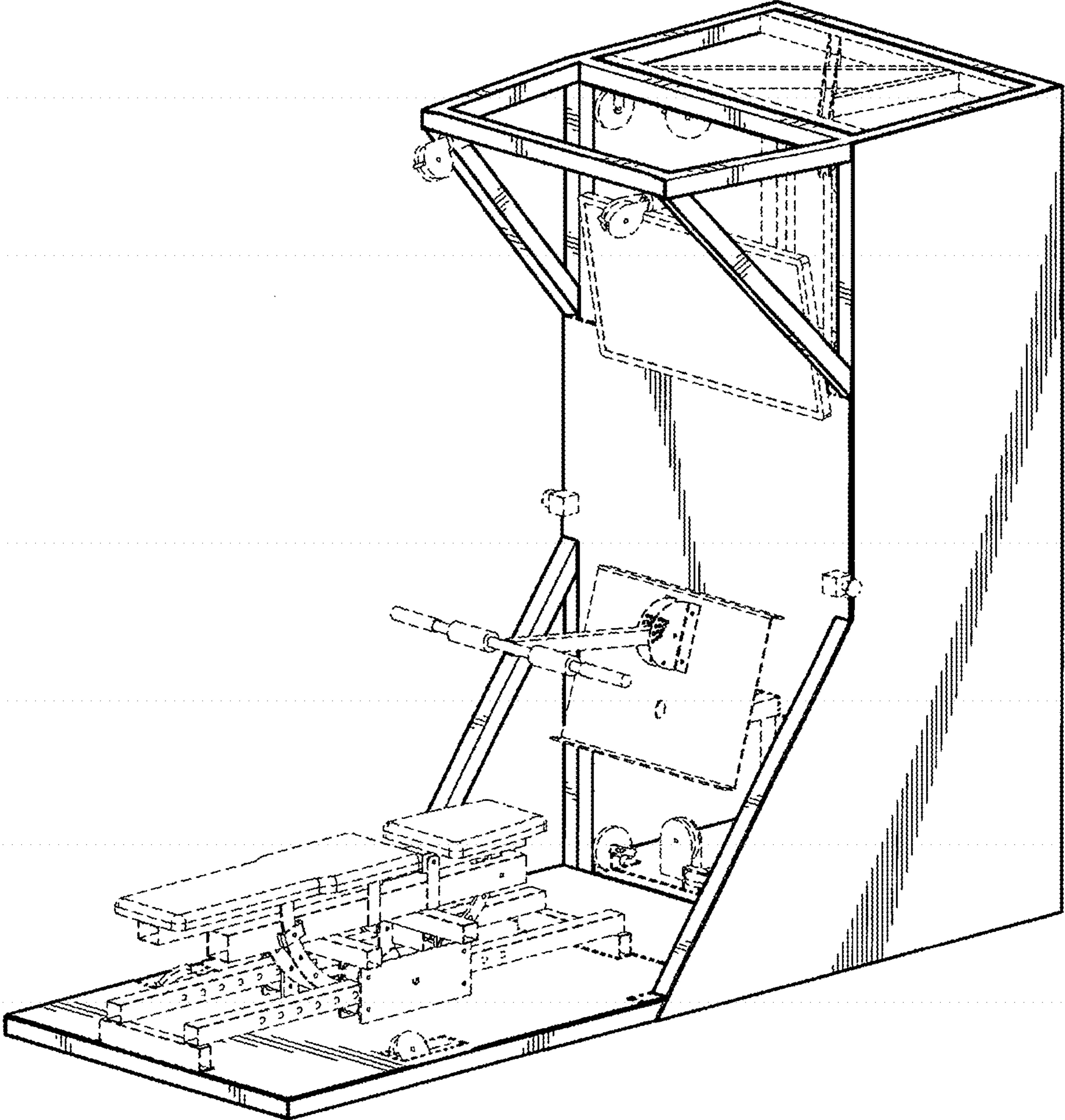
FIG. 1 is a perspective view of exercise equipment;  
FIG. 2 is a frontal view thereof;  
FIG. 3 is a right-side view thereof;  
FIG. 4 is a left-side view thereof;  
FIG. 5 is an under-side view thereof; and,  
FIG. 6 is an overhead view thereof.

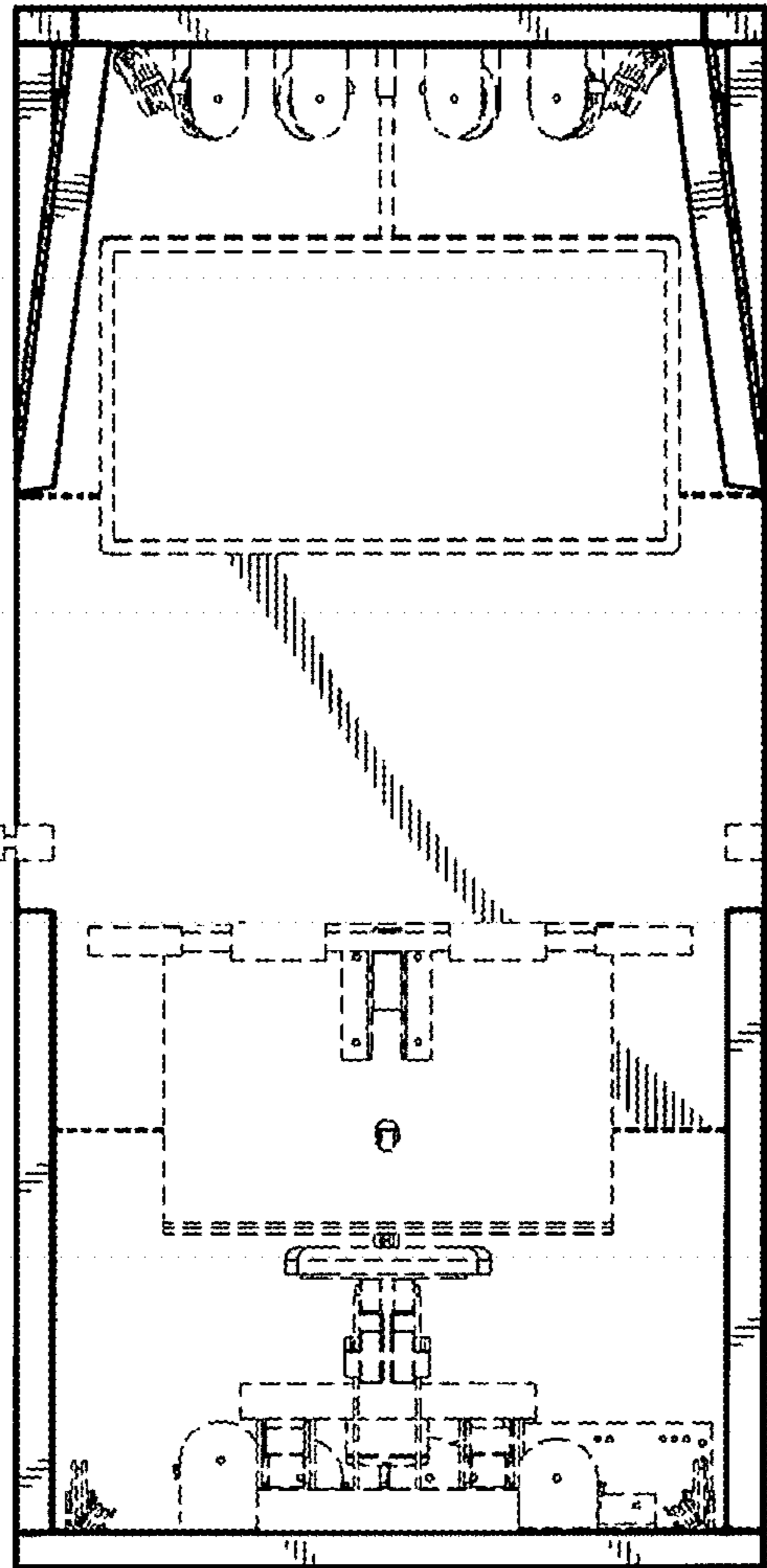
The broken lines shown represent unclaimed subject matter and form no part of the claimed design.

**1 Claim, 6 Drawing Sheets**

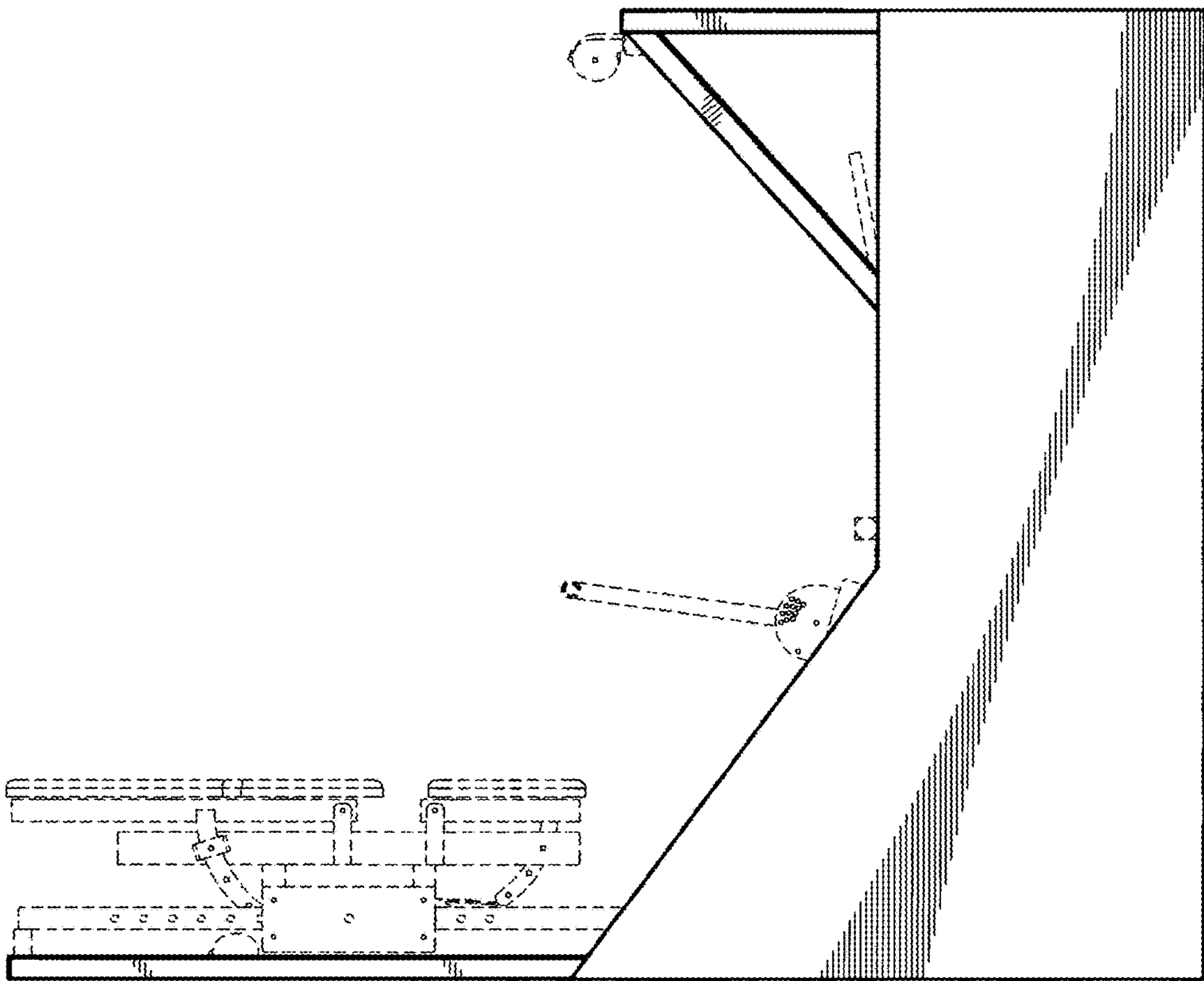


**FIG. 1**

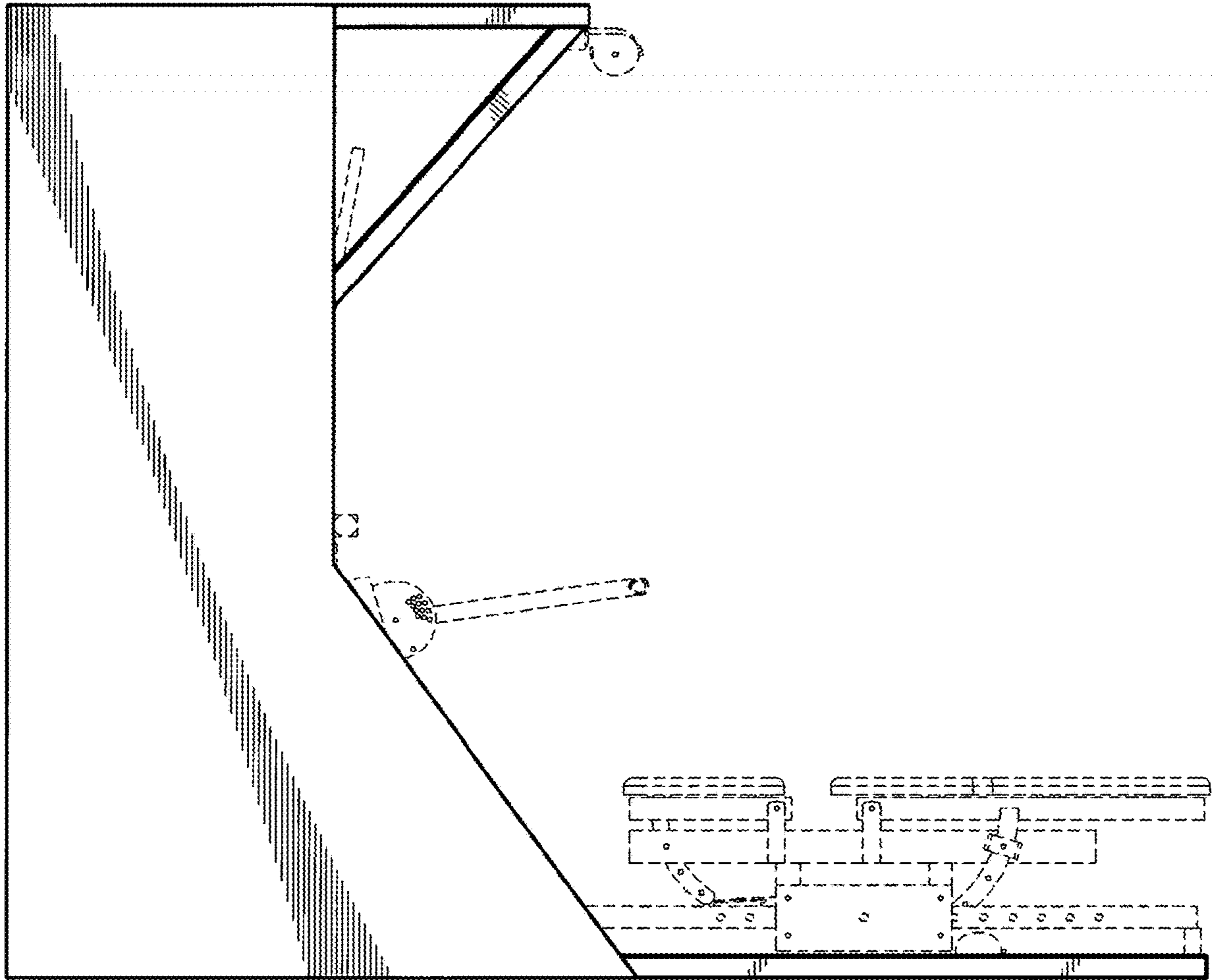




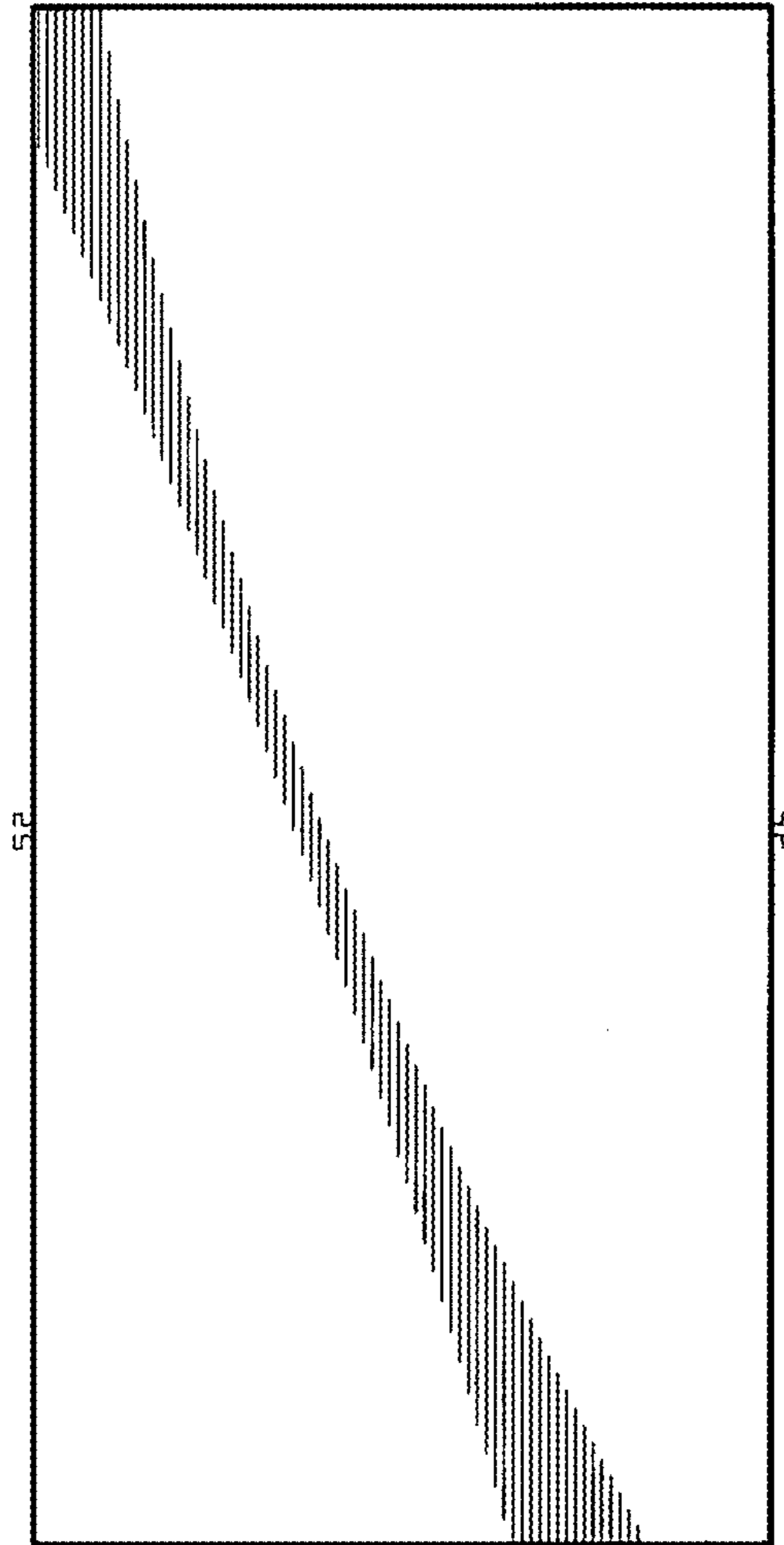
**FIG. 2**



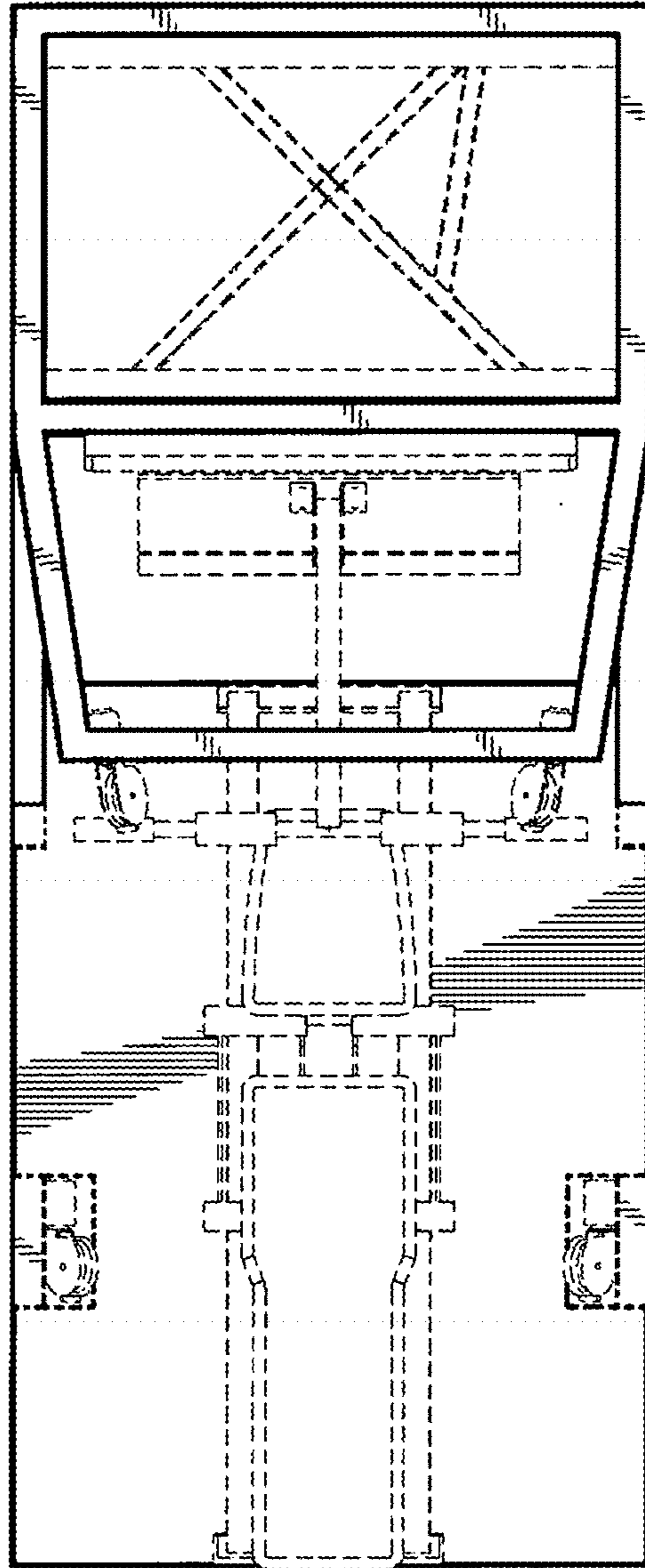
**FIG. 3**



**FIG. 4**



**FIG. 5**



**FIG. 6**