



US00D948642S

(12) **United States Design Patent**
Lu

(10) **Patent No.:** **US D948,642 S**
(45) **Date of Patent:** **** Apr. 12, 2022**

(54) **BARBELL**

(71) Applicant: **Hangzhou Feier Industrial Design Co., Ltd., Zhejiang (CN)**

(72) Inventor: **Xiaolong Lu, Zhejiang (CN)**

(73) Assignee: **Hangzhou Feier Industrial Design Co., Ltd., Zhejiang (CN)**

(**) Term: **15 Years**

(21) Appl. No.: **29/785,111**

(22) Filed: **May 24, 2021**

(30) **Foreign Application Priority Data**

Apr. 20, 2021 (EM) 008509210

(51) **LOC (13) Cl.** **21-02**

(52) **U.S. Cl.**
USPC **D21/681**

(58) **Field of Classification Search**
USPC D21/662, 681, 682, 694, 680, 684, 679,
D21/675, 677

See application file for complete search history.

(56) **References Cited**

U.S. PATENT DOCUMENTS

3,084,547	A *	4/1963	Nielsen	A63B 23/14
					73/379.08
3,211,453	A *	10/1965	Williams	A63B 23/14
					482/46
4,643,417	A *	2/1987	Nieman	A63B 21/00069
					482/46
D313,827	S *	1/1991	Smith	D21/684
D688,337	S *	8/2013	Huang	D21/662
D734,408	S *	7/2015	Capps	D21/681
D798,683	S *	10/2017	Price	D19/186
D862,617	S	10/2019	Henniger et al.		
D873,356	S	1/2020	Henniger et al.		
D930,090	S *	9/2021	Chen	D21/679
2007/0135274	A1 *	6/2007	Blateri	A63B 21/075
					482/109

FOREIGN PATENT DOCUMENTS

CN	201730689289	*	12/2017
CN	201830399620.6	*	7/2018
CN	201830466292.7	*	8/2018

OTHER PUBLICATIONS

Seng, announced Apr. 2021 [online], [site visited Feb. 15, 2022]. Available on internet, URL:https://www.amazon.com/ProSquat-barbell-carrying-advanced-powerlifting/dp/B092SV8BR7/ref(Year: 2021).*

* cited by examiner

Primary Examiner — Khawaja Anwar

Assistant Examiner — Julice Seung Eun Oum

(74) *Attorney, Agent, or Firm* — ScienBiziP, P.C.

(57) **CLAIM**

The ornamental design for a barbell, as shown and described.

DESCRIPTION

FIG. 1 is a front, right, and top perspective view of a barbell, showing my design.

FIG. 2 is a rear, left, and bottom perspective view thereof.

FIG. 3 is a front elevation view thereof.

FIG. 4 is a rear elevation view thereof.

FIG. 5 is a left side elevation view thereof.

FIG. 6 is a right side elevation view thereof.

FIG. 7 is a top plan view thereof.

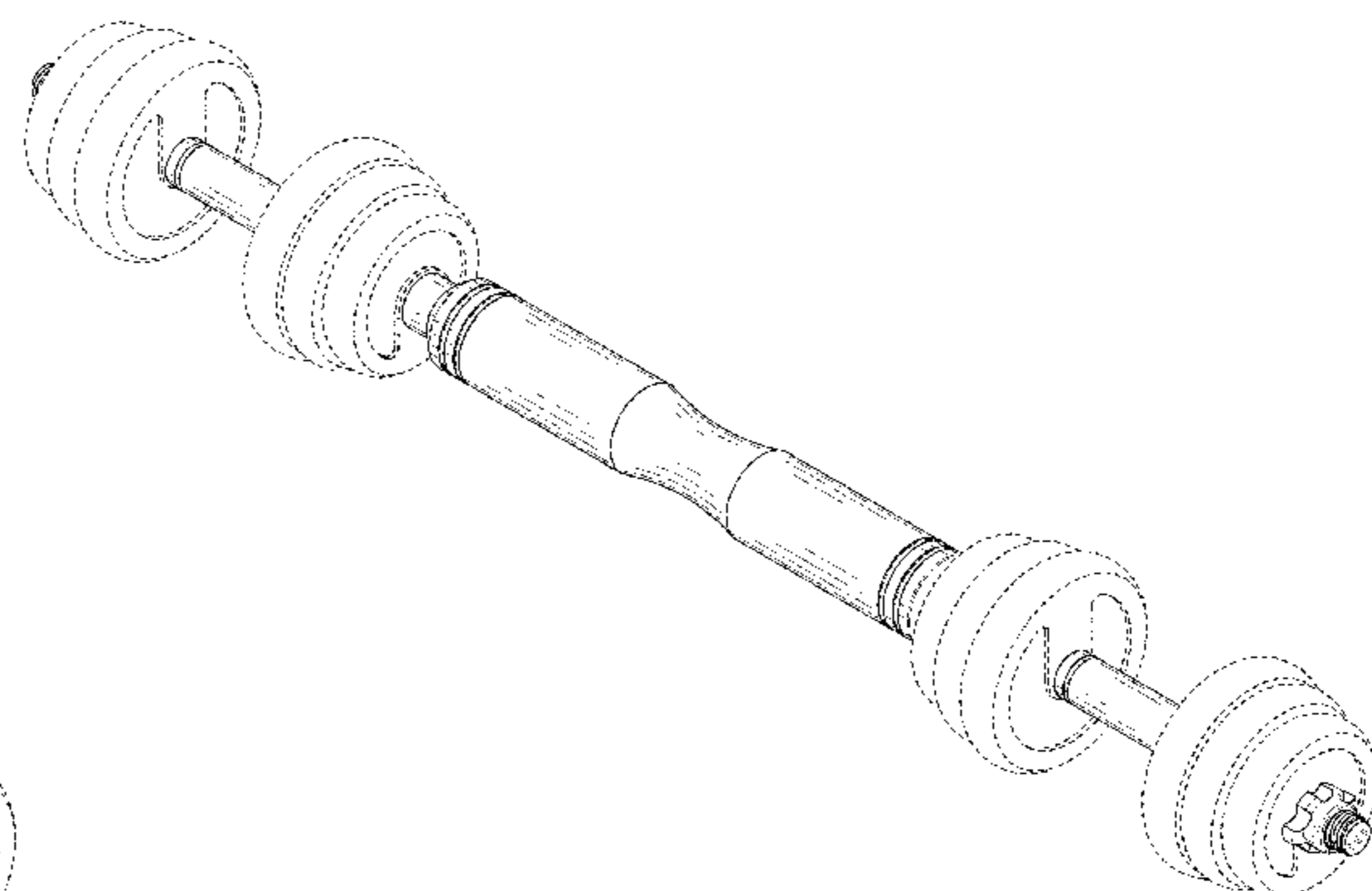
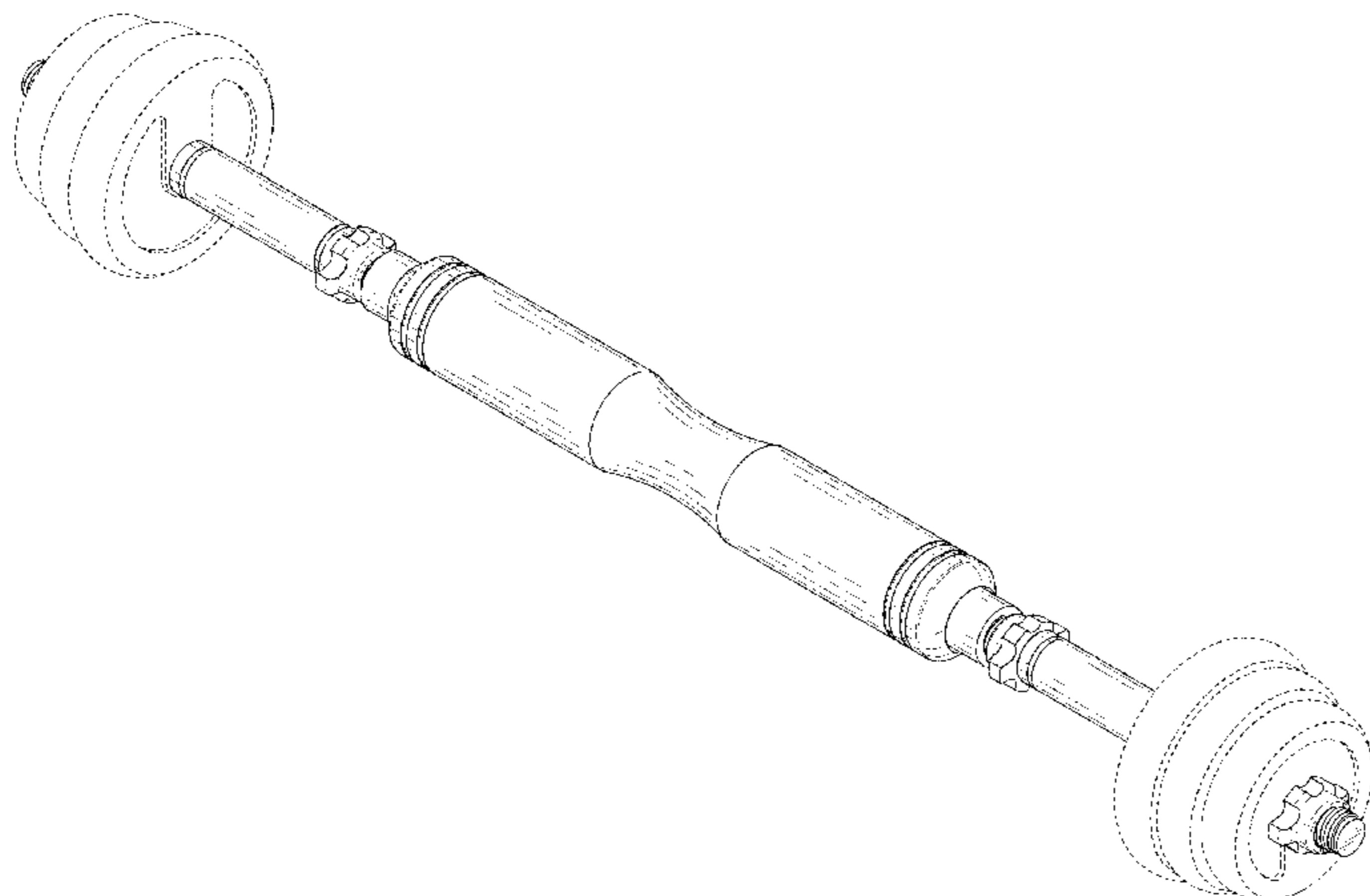
FIG. 8 is a bottom plan view thereof; and,

FIG. 9 is a front, right, and top perspective view of a barbell,

wherein two weight disks are set on each ends of the barbell.

The broken lines shown in the drawings are included for the purpose of illustrating portions of the barbell that form no part of the claimed design.

1 Claim, 9 Drawing Sheets



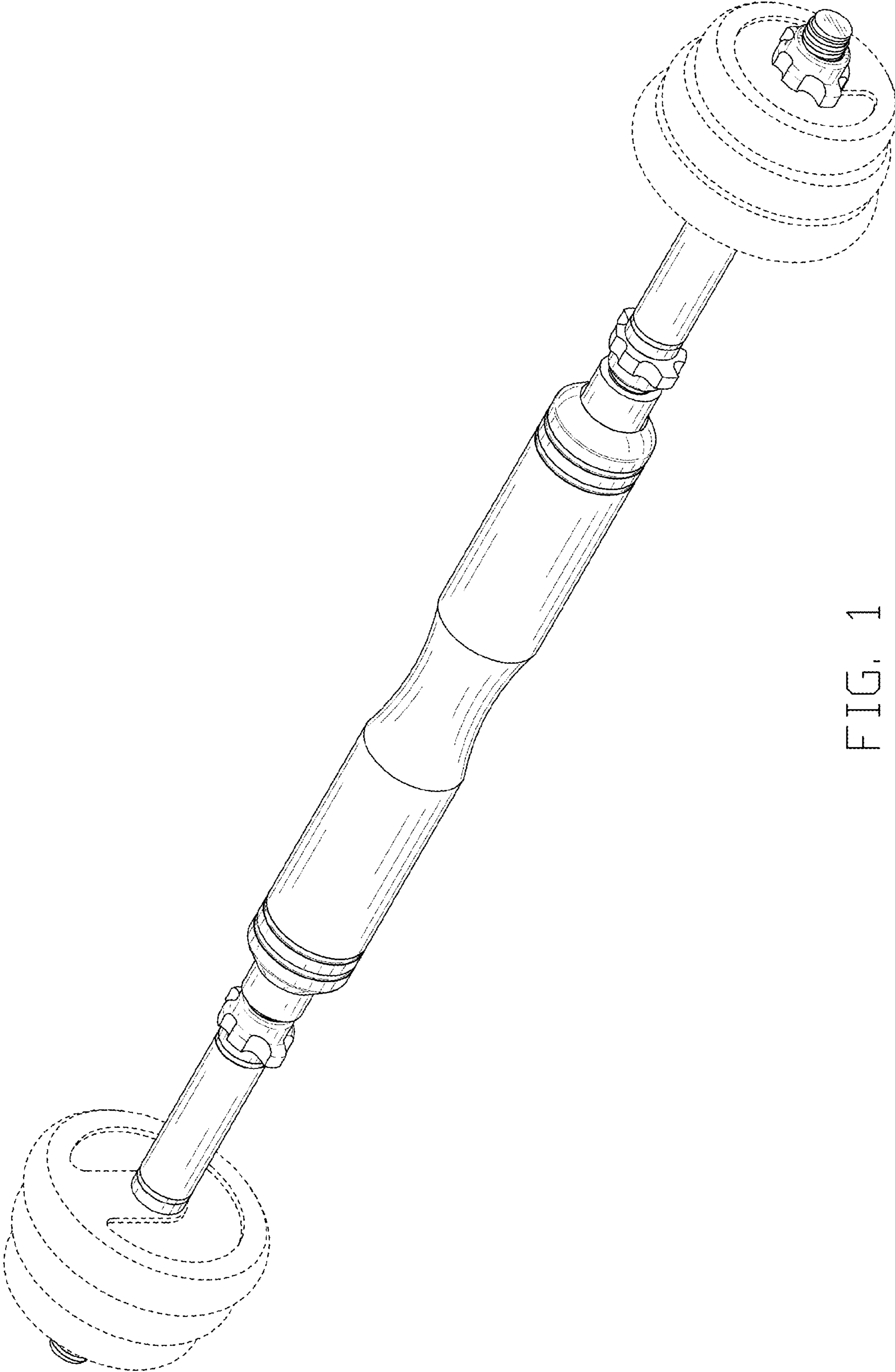


FIG. 1

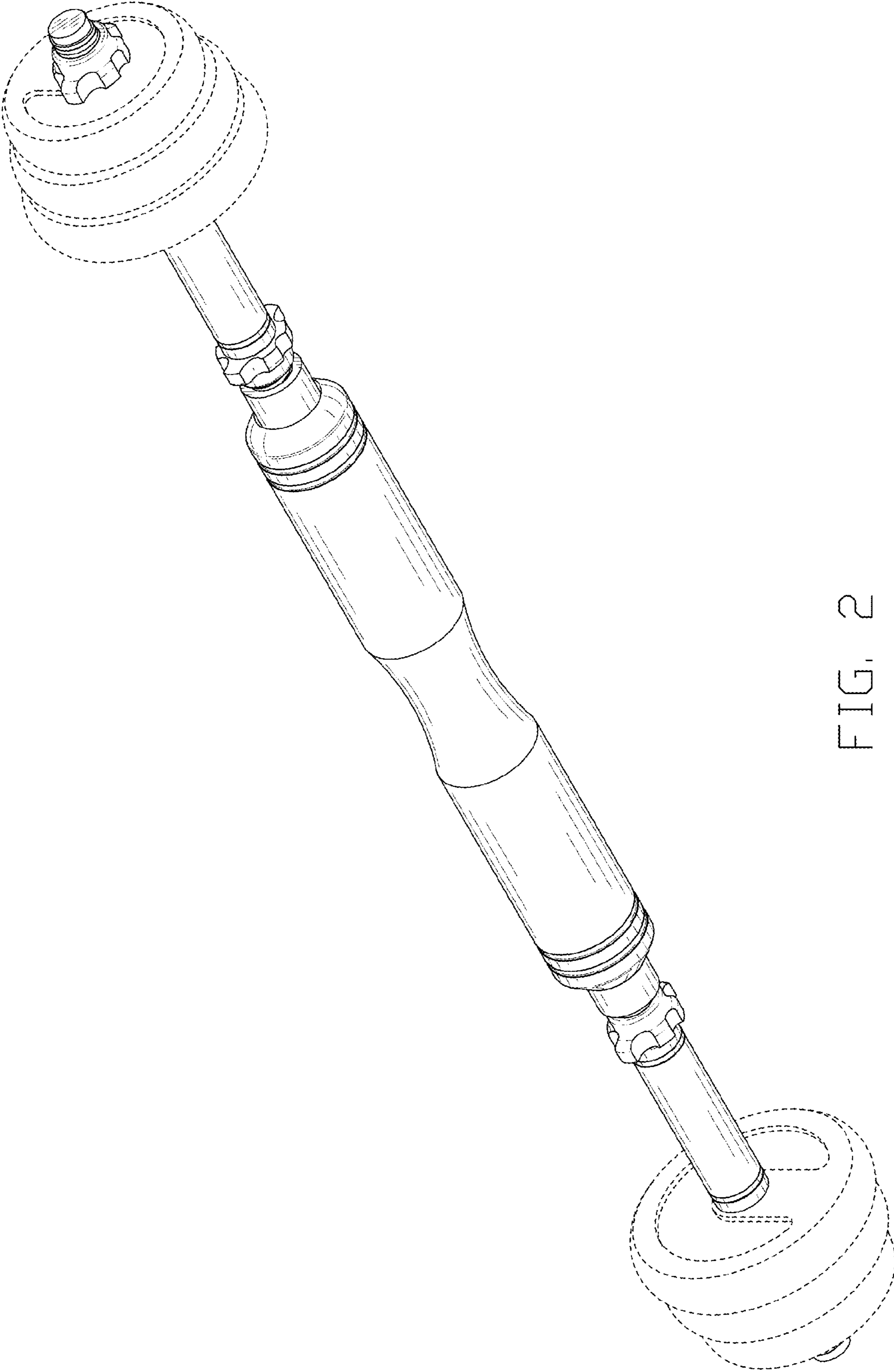


FIG. 2

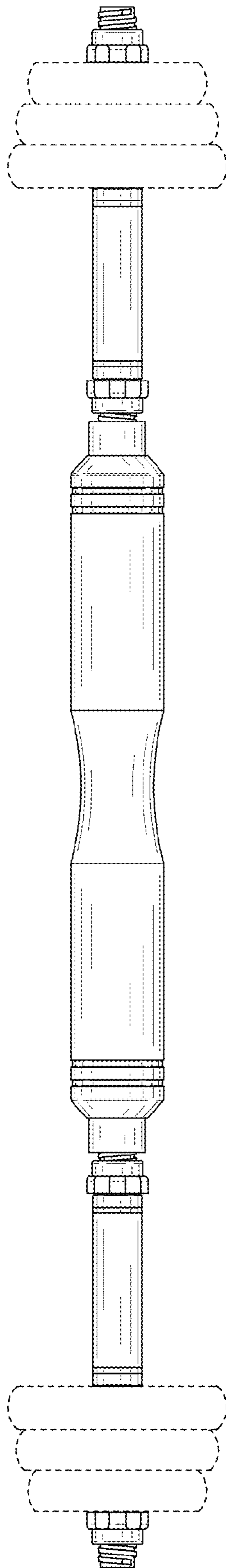


FIG. 3

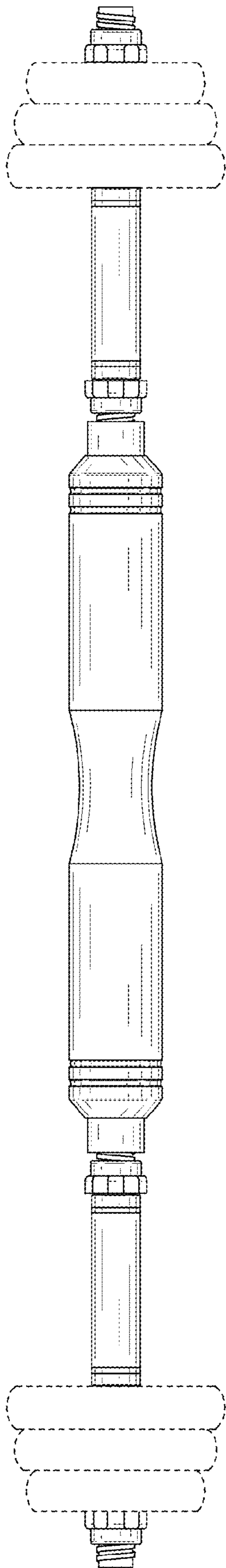


FIG. 4

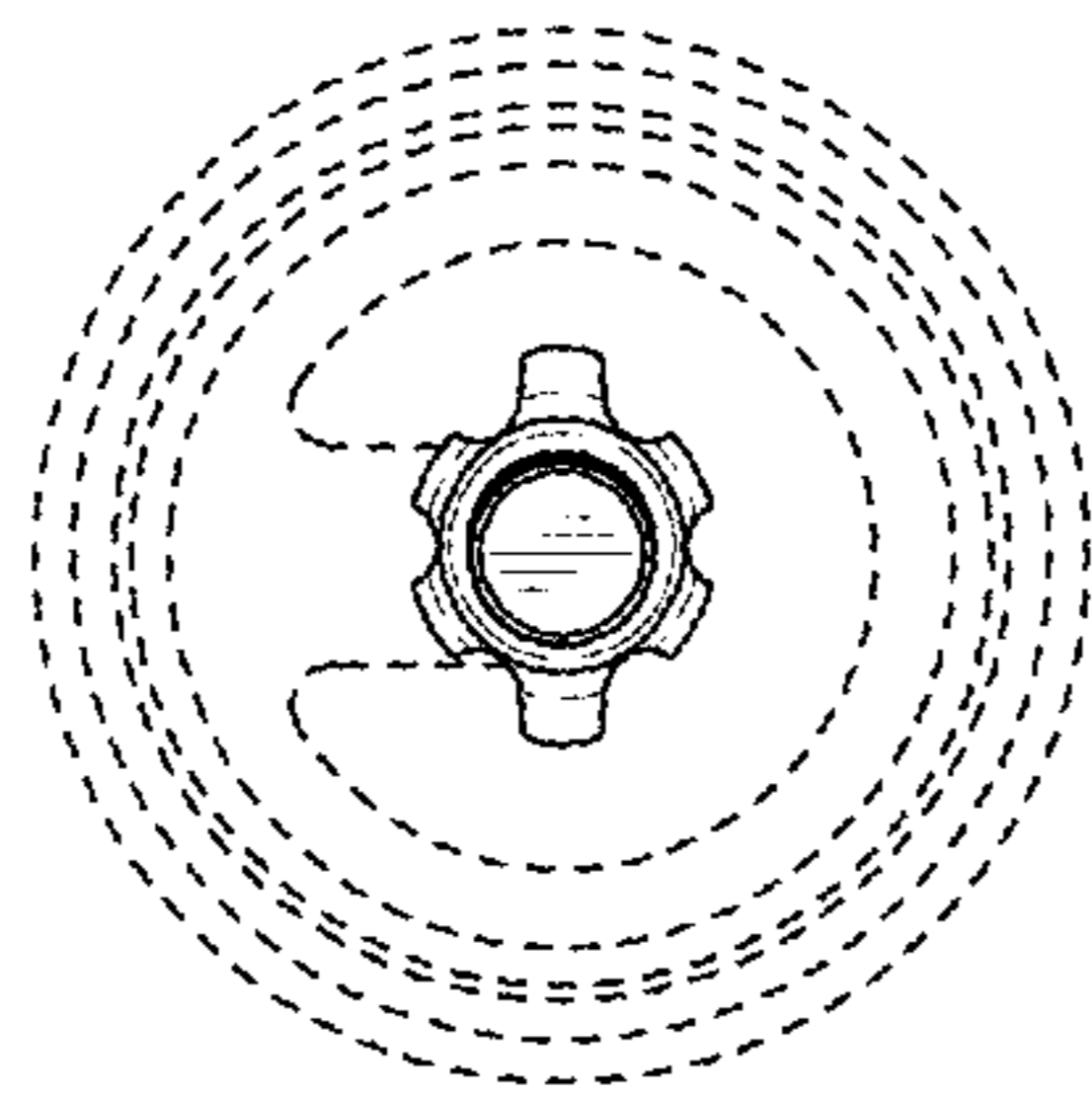


FIG. 5

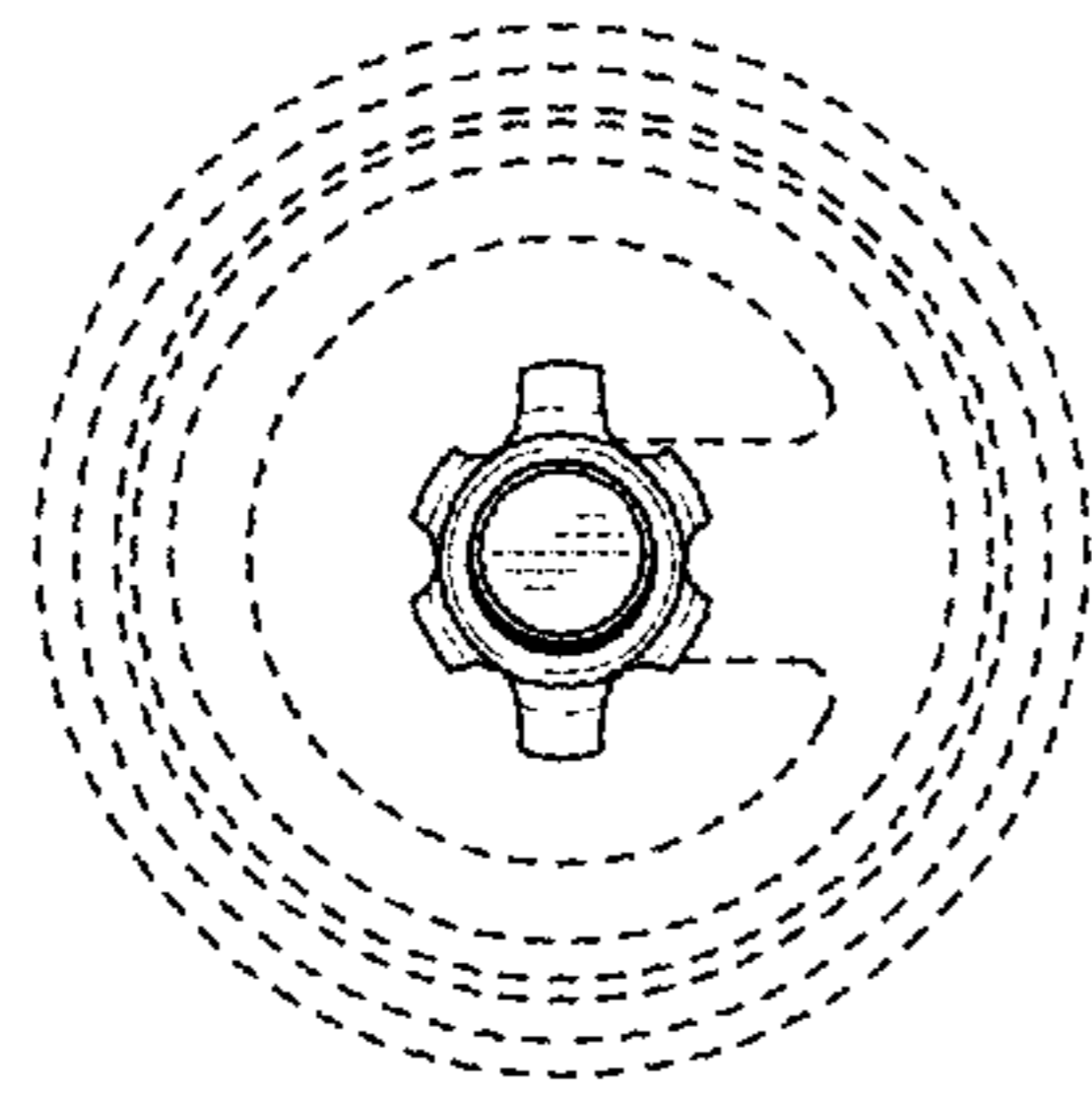


FIG. 6

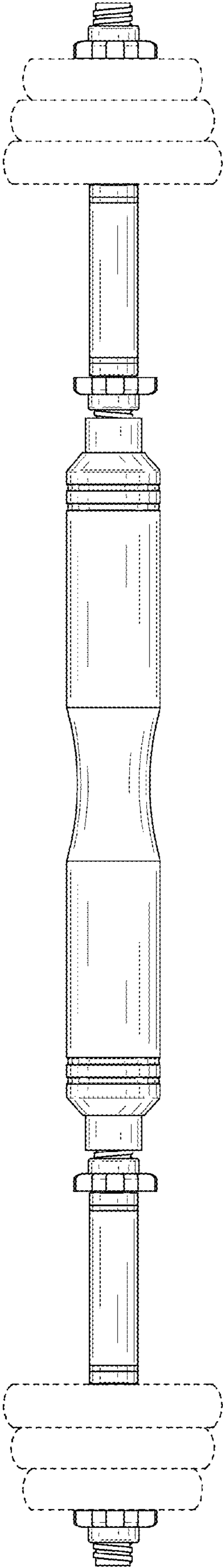


FIG. 7

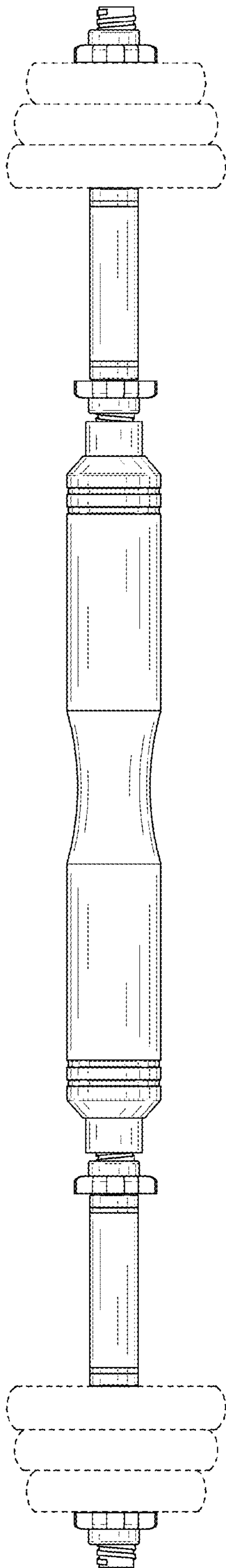


FIG. 8

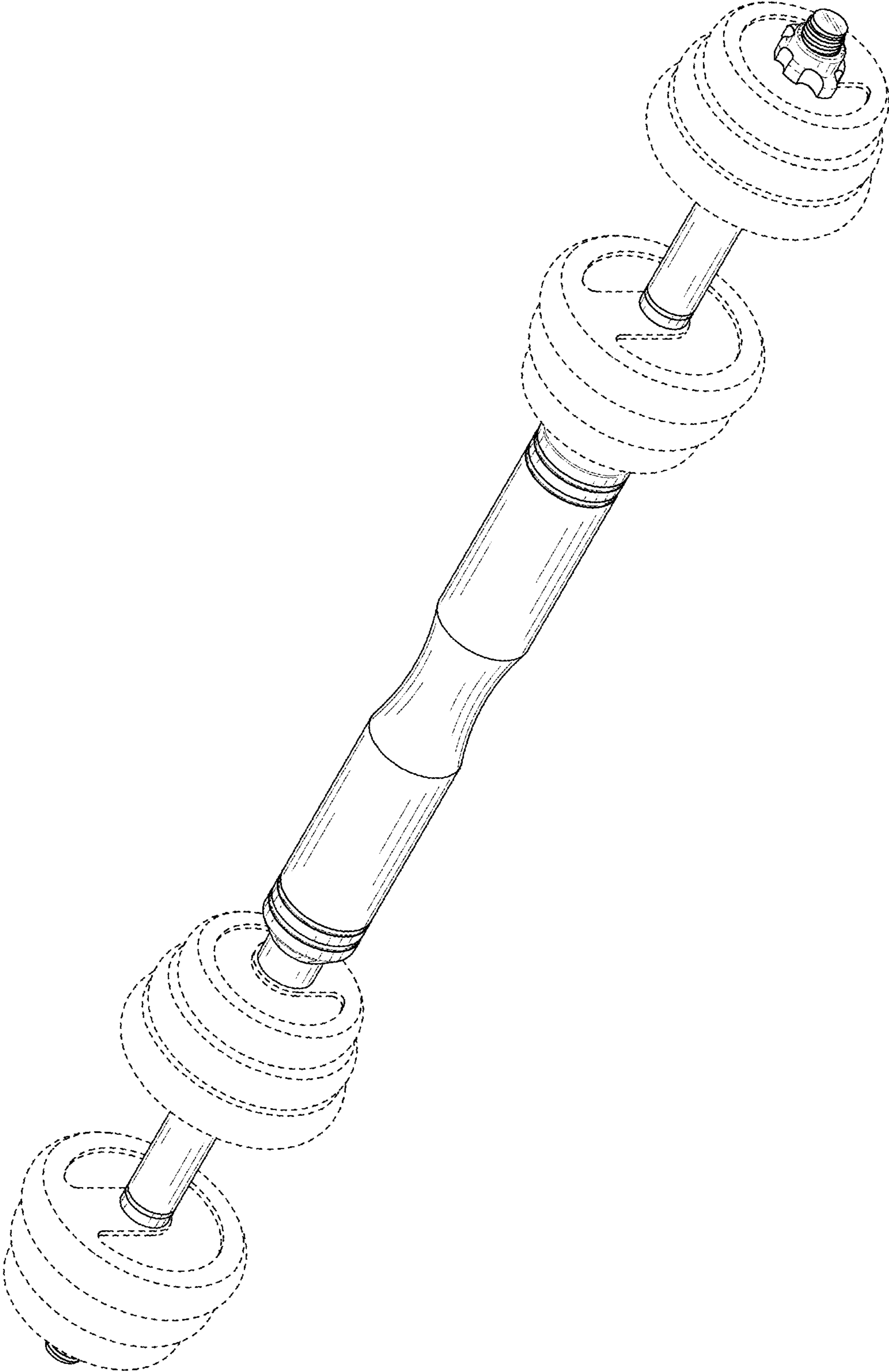


FIG. 9