



US00D948640S

(12) **United States Design Patent**  
**Chatham et al.**

(10) **Patent No.:** **US D948,640 S**

(45) **Date of Patent:** **\*\* Apr. 12, 2022**

(54) **TREADMILL**

(71) Applicant: **Peloton Interactive, Inc.**, New York, NY (US)

(72) Inventors: **Alexander Bicknell Chatham**, Brooklyn, NY (US); **Jason Poure**, Hastings on Hudson, NY (US); **Nigel John Alcorn**, Brooklyn, NY (US); **Nicholas Preston Baker**, Brooklyn, NY (US)

(73) Assignee: **Peloton Interactive, Inc.**, New York, NY (US)

(\*\*) Term: **15 Years**

(21) Appl. No.: **29/716,531**

(22) Filed: **Dec. 10, 2019**

(51) **LOC (13) Cl.** ..... **21-02**

(52) **U.S. Cl.**  
USPC ..... **D21/669**

(58) **Field of Classification Search**  
USPC ..... D21/669, 800, 662, 668, 670, 671, 694  
See application file for complete search history.

(56) **References Cited**

U.S. PATENT DOCUMENTS

D306,468 S *	3/1990	Watterson	.....	D21/669
D313,826 S *	1/1991	Birrell	.....	D21/669
D333,330 S *	2/1993	Clem	.....	D21/669
D414,518 S *	9/1999	Wang	.....	D21/669
D464,690 S *	10/2002	San-Ching	.....	D21/669
D527,060 S *	8/2006	Flick	.....	D21/669
D854,101 S *	7/2019	Kruse	.....	D21/669
D902,332 S *	11/2020	Kruse	.....	D21/694
D907,722 S *	1/2021	Fang	.....	D21/669
D908,822 S *	1/2021	Arceta	.....	D21/694

(Continued)

*Primary Examiner* — Khawaja Anwar

*Assistant Examiner* — Julice Seung Eun Oum

(74) *Attorney, Agent, or Firm* — Haynes and Boone, LLP

(57) **CLAIM**

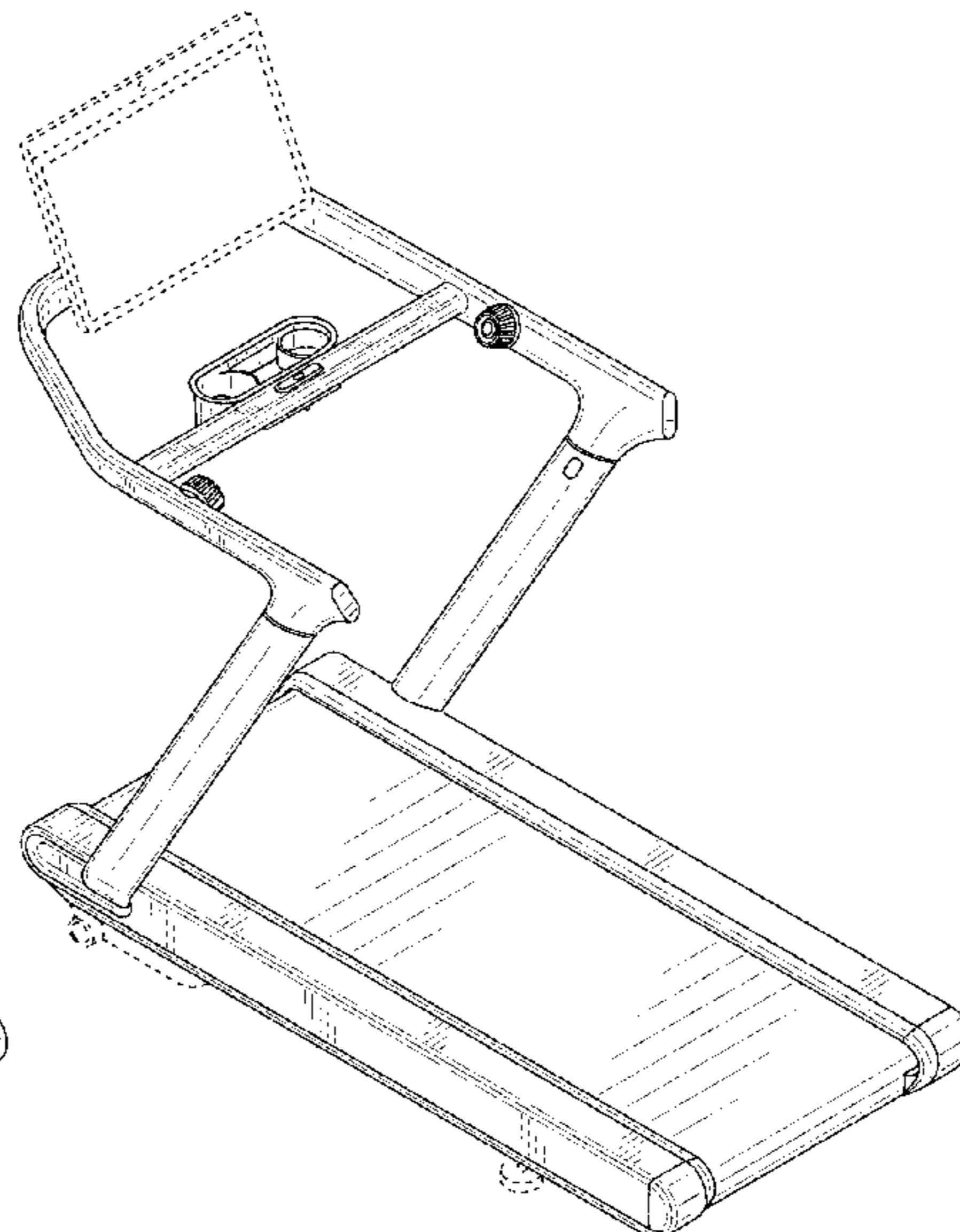
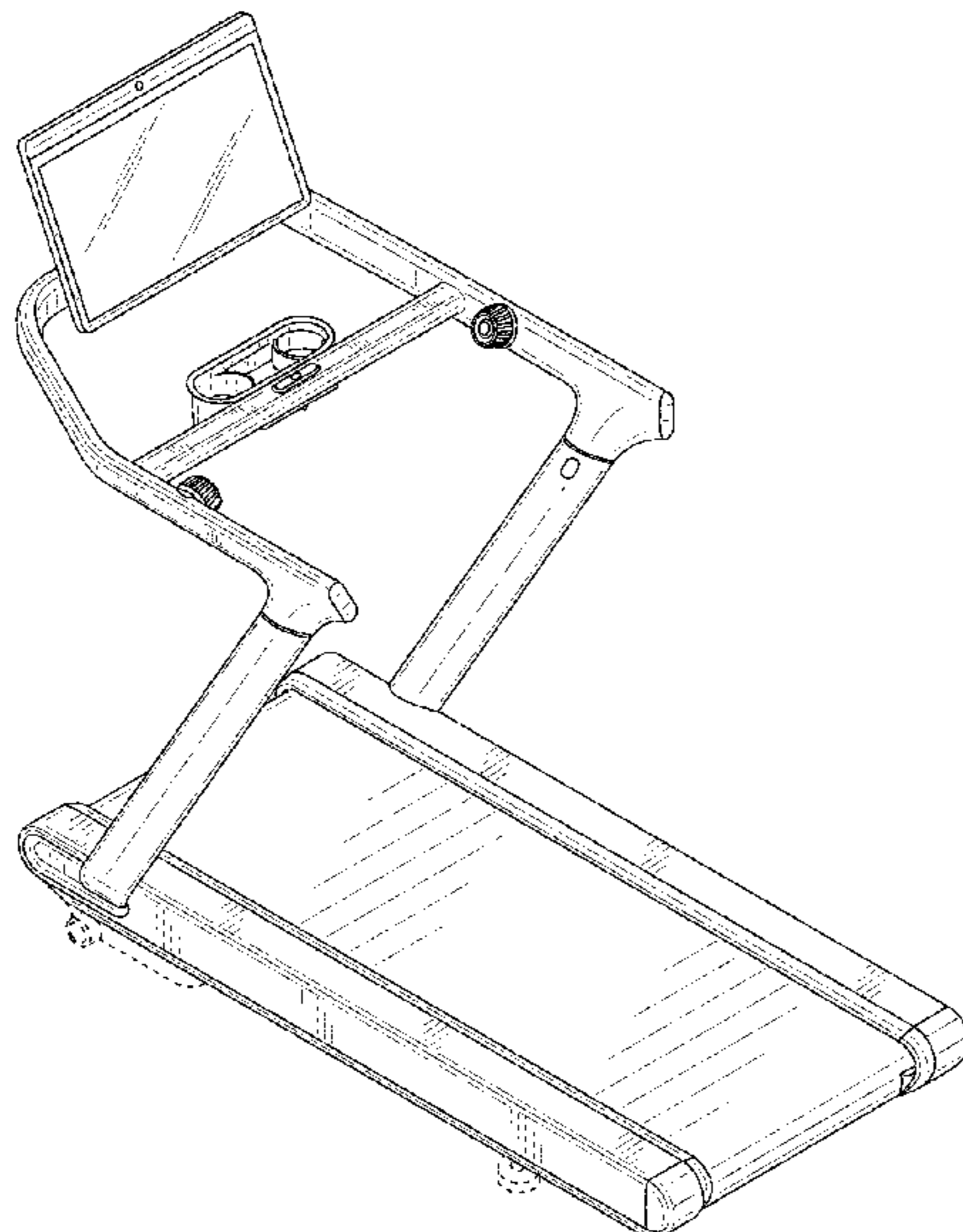
The ornamental design for a treadmill, as shown and described.

**DESCRIPTION**

FIG. 1 is a rear perspective view of a first embodiment of a treadmill, showing our new design;  
 FIG. 2 is a rear perspective view thereof;  
 FIG. 3 is a front view thereof;  
 FIG. 4 is a rear view thereof;  
 FIG. 5 is a left-side view thereof;  
 FIG. 6 is a right-side view thereof;  
 FIG. 7 is a top view thereof;  
 FIG. 8 is a bottom view thereof;  
 FIG. 9 is a front perspective view of a second embodiment of a treadmill, showing our new design;  
 FIG. 10 is a rear perspective view thereof;  
 FIG. 11 is a front view thereof;  
 FIG. 12 is a rear view thereof;  
 FIG. 13 is a left-side view thereof;  
 FIG. 14 is a right-side view thereof;  
 FIG. 15 is a top view thereof;  
 FIG. 16 is a bottom view thereof;  
 FIG. 17 is a front perspective view of a third embodiment of a treadmill, showing our new design;  
 FIG. 18 is a rear perspective view thereof;  
 FIG. 19 is a front view thereof;  
 FIG. 20 is a rear view thereof;  
 FIG. 21 is a left-side view thereof;  
 FIG. 22 is a right-side view thereof;  
 FIG. 23 is a top view thereof; and,  
 FIG. 24 is a bottom view thereof.

The broken lines depict portions of the treadmill and/or environment of the treadmill which form no part of the claimed design.

**1 Claim, 24 Drawing Sheets**



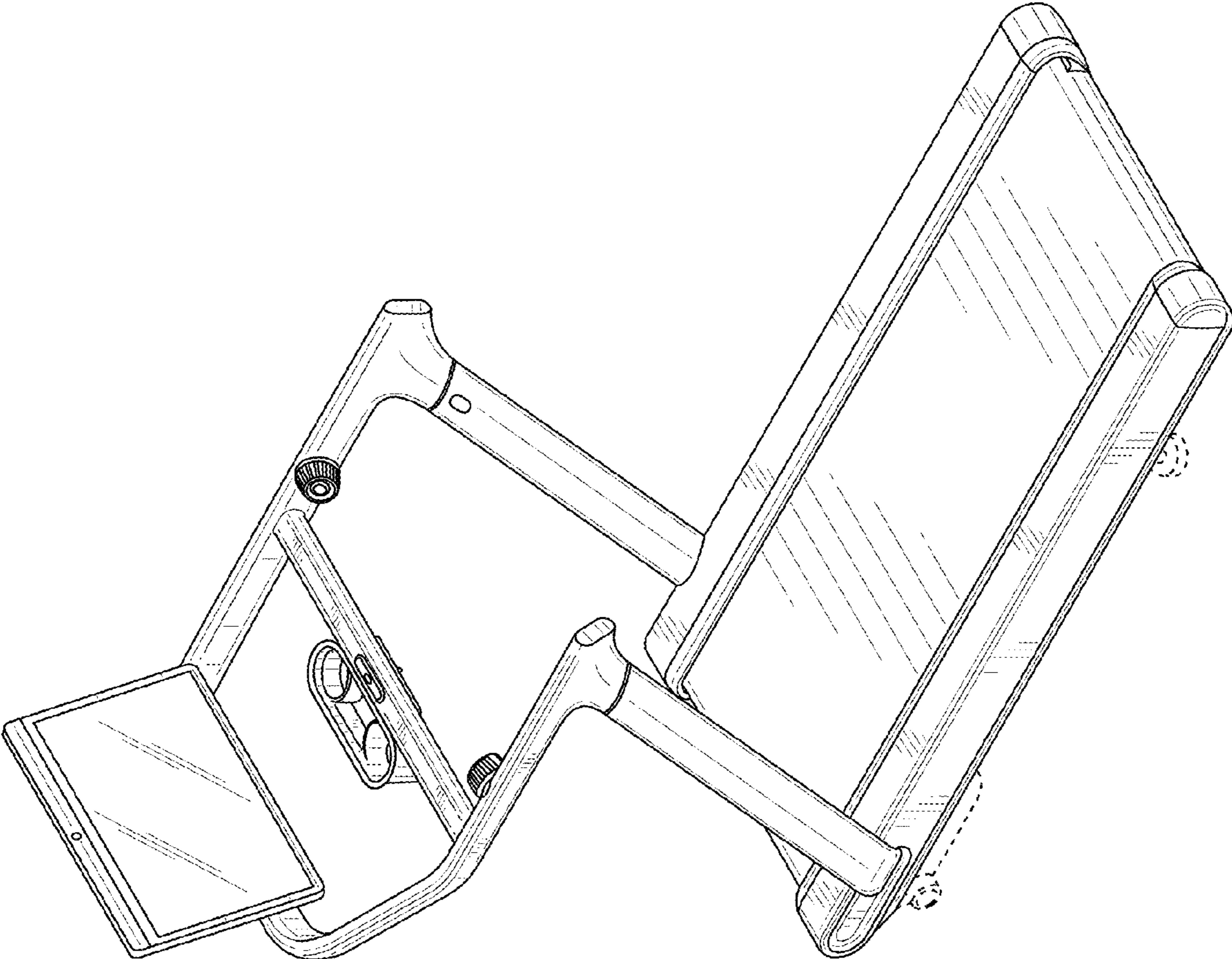
(56)

**References Cited**

U.S. PATENT DOCUMENTS

2003/0125165 A1\* 7/2003 Trevino ..... A63B 22/0235  
482/54  
2004/0242378 A1\* 12/2004 Pan ..... A63B 22/02  
482/54  
2007/0066448 A1\* 3/2007 Pan ..... A63B 22/0235  
482/54  
2010/0173749 A1\* 7/2010 Lannon ..... A63B 24/0062  
482/8  
2013/0231219 A1\* 9/2013 Huang ..... A63B 22/0023  
482/54  
2016/0206922 A1\* 7/2016 Dalebout ..... G16H 20/30  
2017/0056716 A1\* 3/2017 Cutler ..... A63B 22/02  
2017/0266532 A1\* 9/2017 Watterson ..... A63B 22/0285  
2017/0266533 A1\* 9/2017 Dalebout ..... A63B 71/0622  
2019/0118030 A1\* 4/2019 Yoo ..... A63B 22/0285  
2019/0290956 A1\* 9/2019 Ren ..... A63B 22/0235  
2020/0368578 A1\* 11/2020 Lin ..... A63B 22/0285  
2021/0170222 A1\* 6/2021 Consiglio ..... A63B 21/154  
2021/0283465 A1\* 9/2021 Arceta ..... A63B 21/0056  
2021/0291015 A1\* 9/2021 Consiglio ..... A63B 22/0023

\* cited by examiner



**FIG. 1**



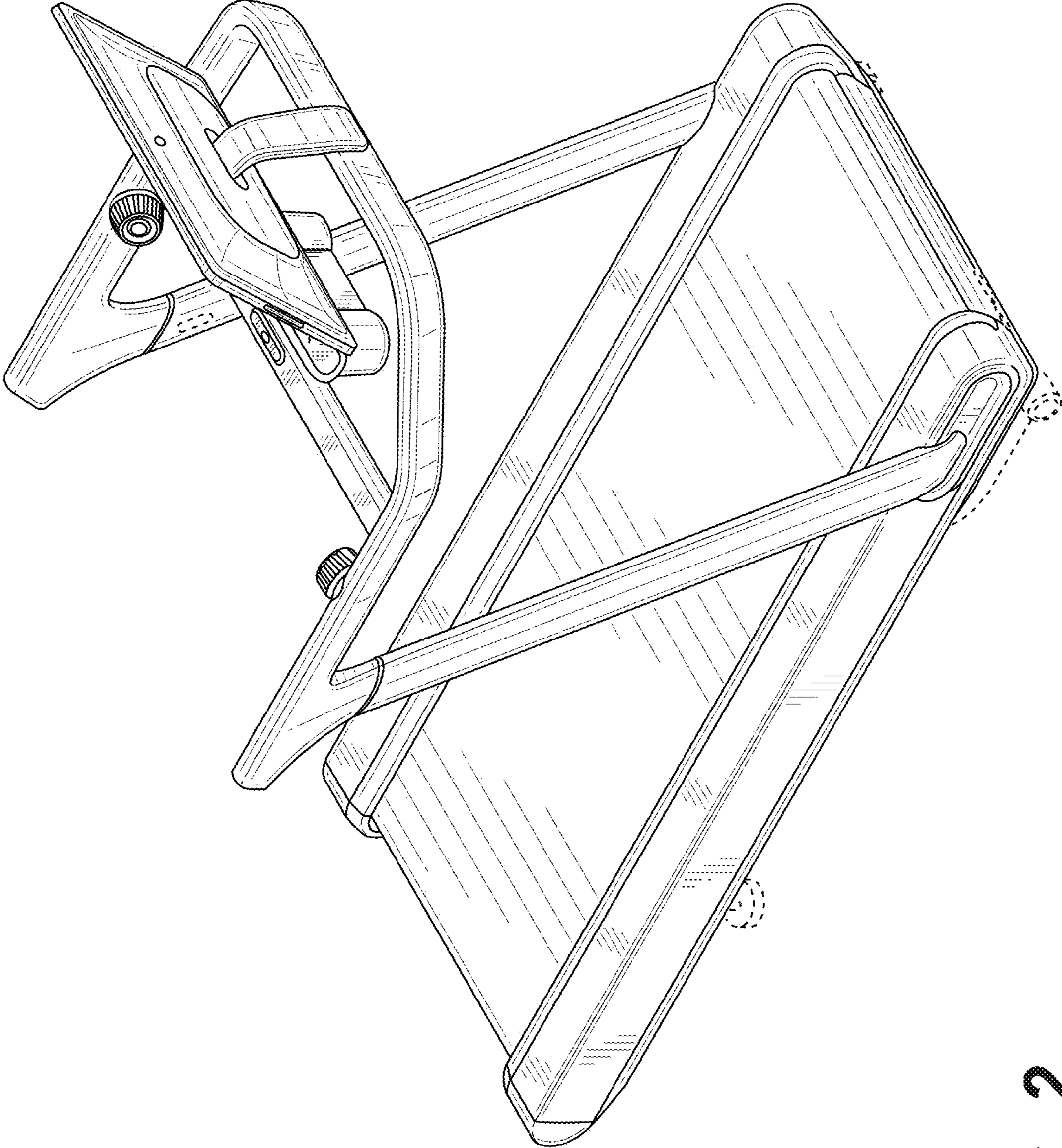


FIG. 2

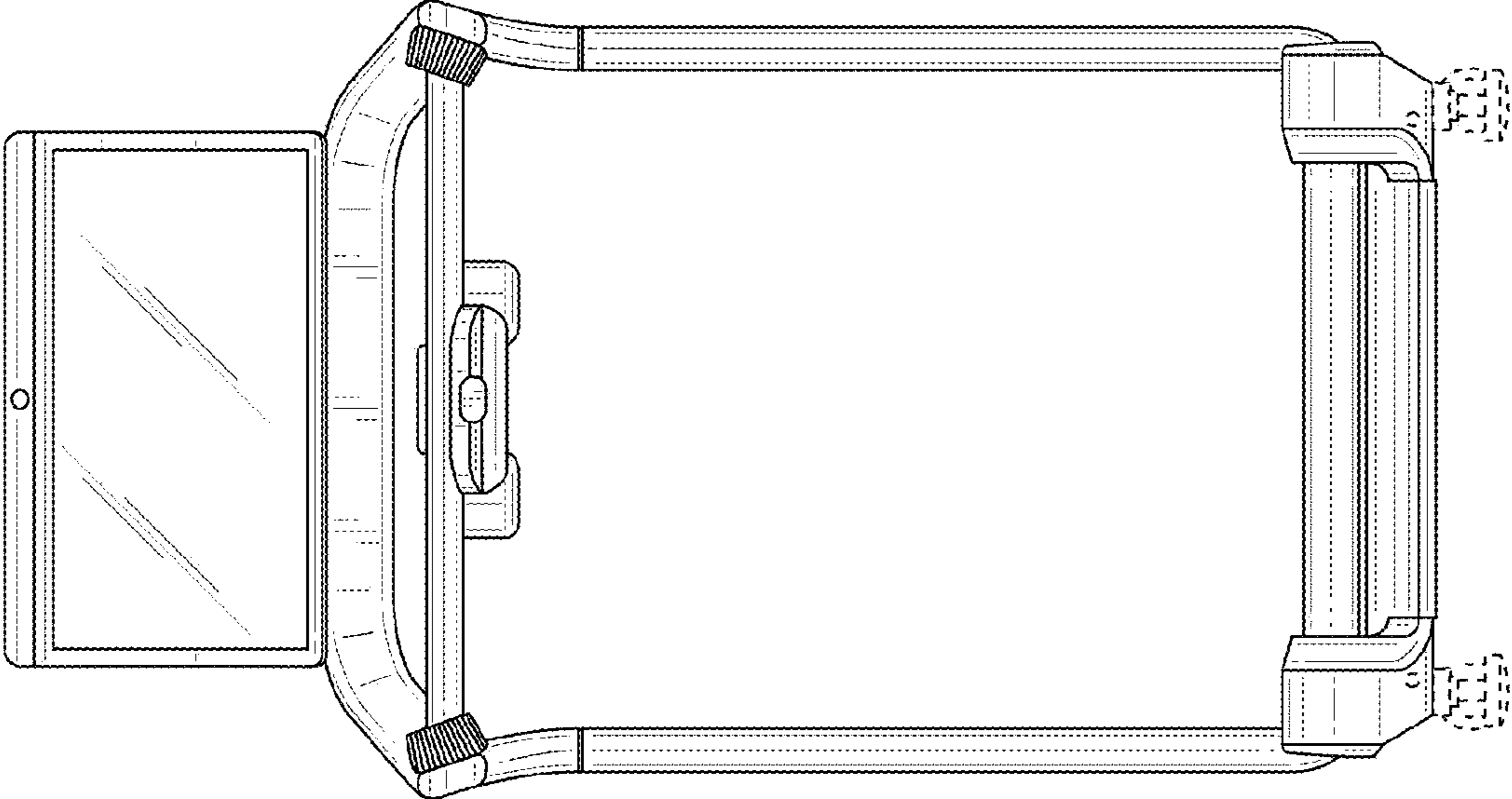
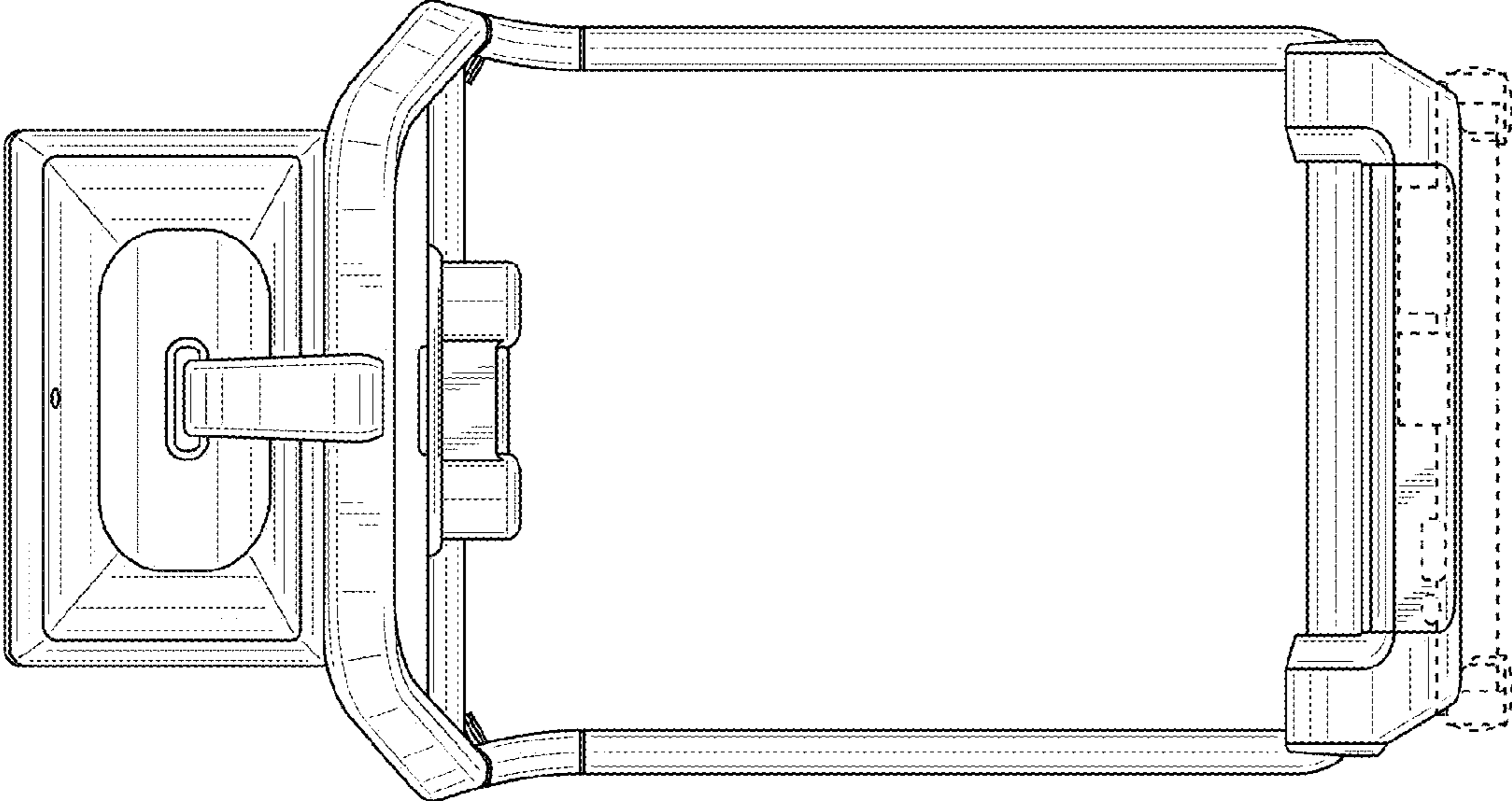


FIG. 3



**FIG. 4**

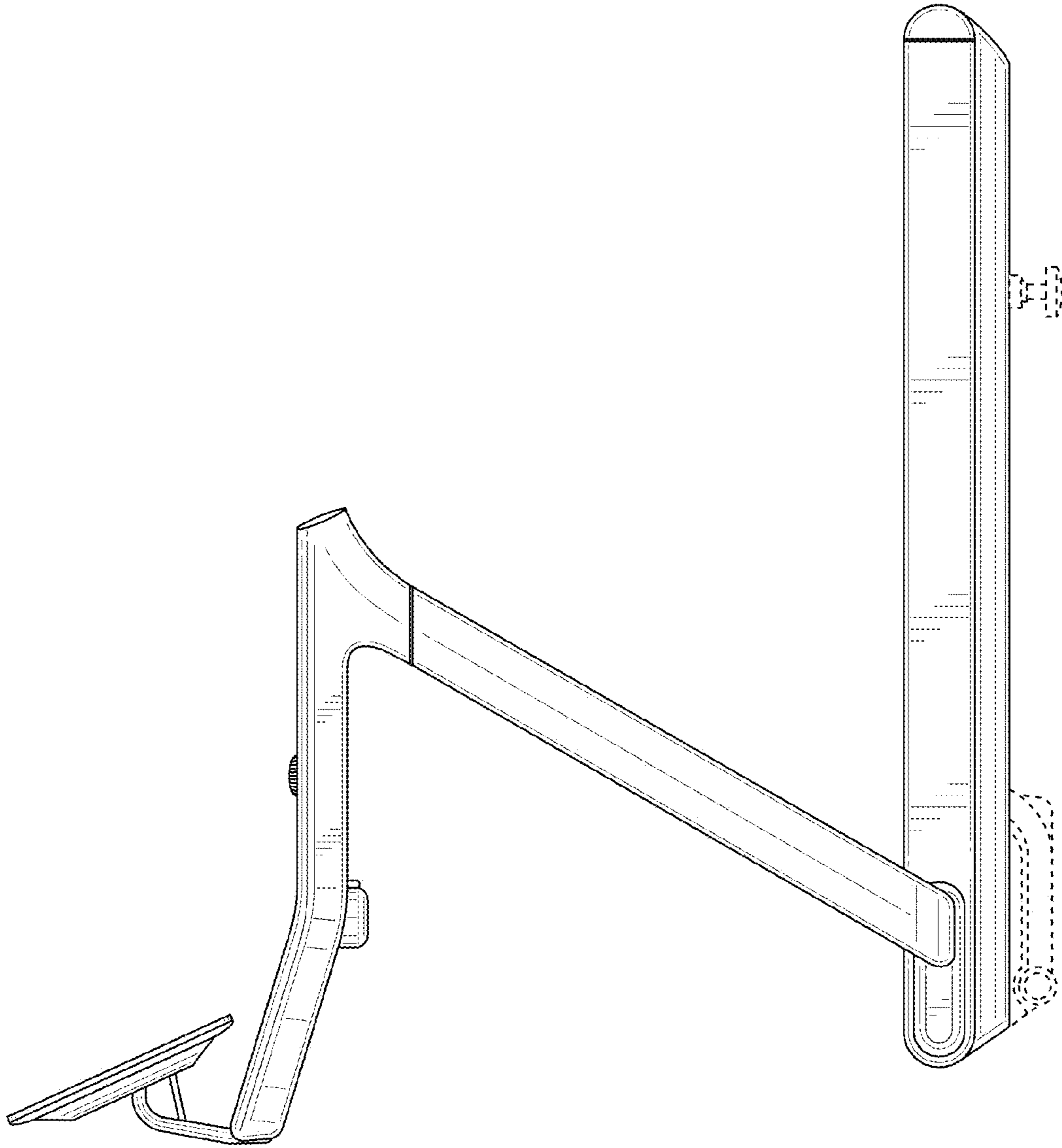
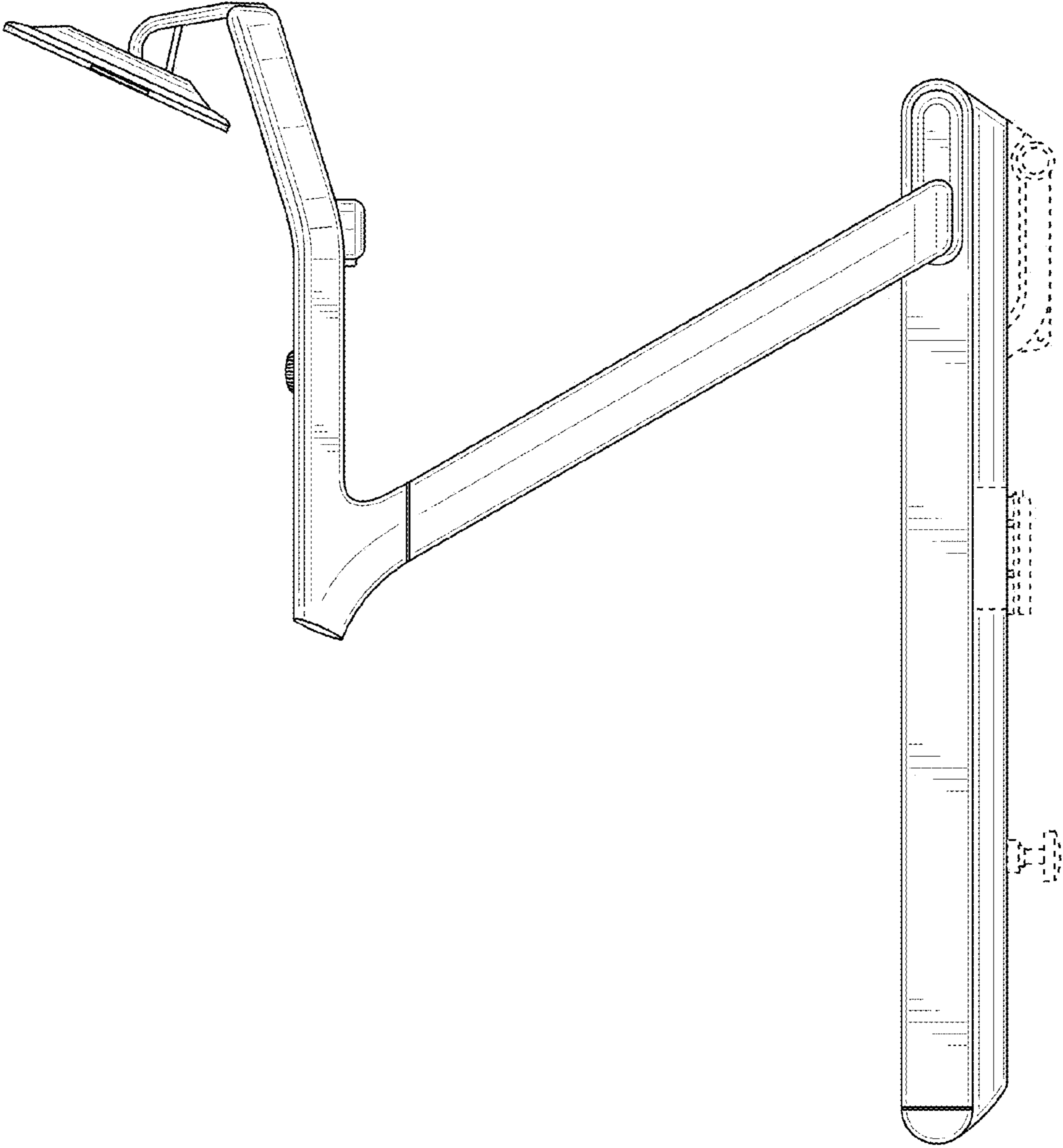
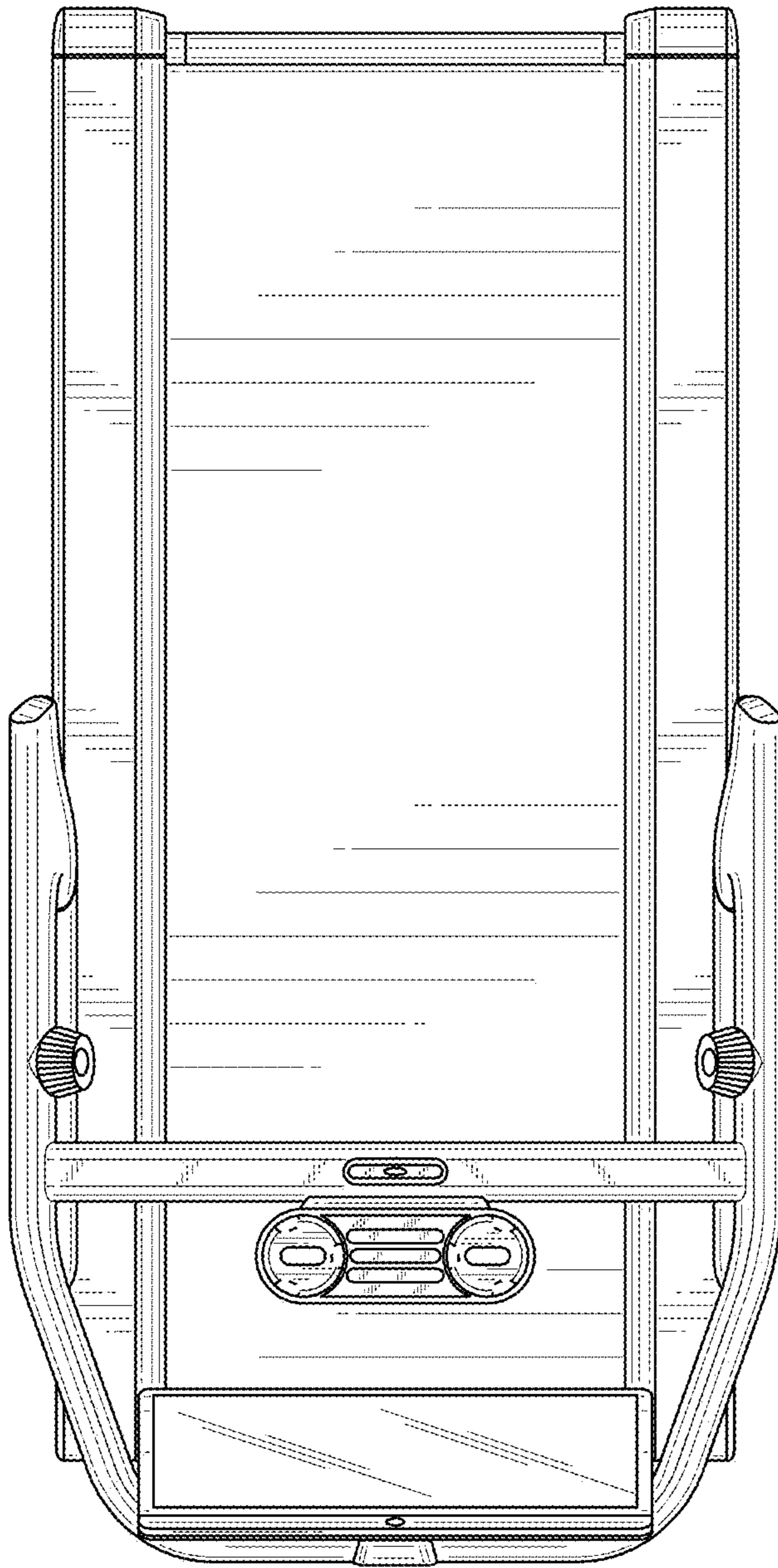


FIG. 5

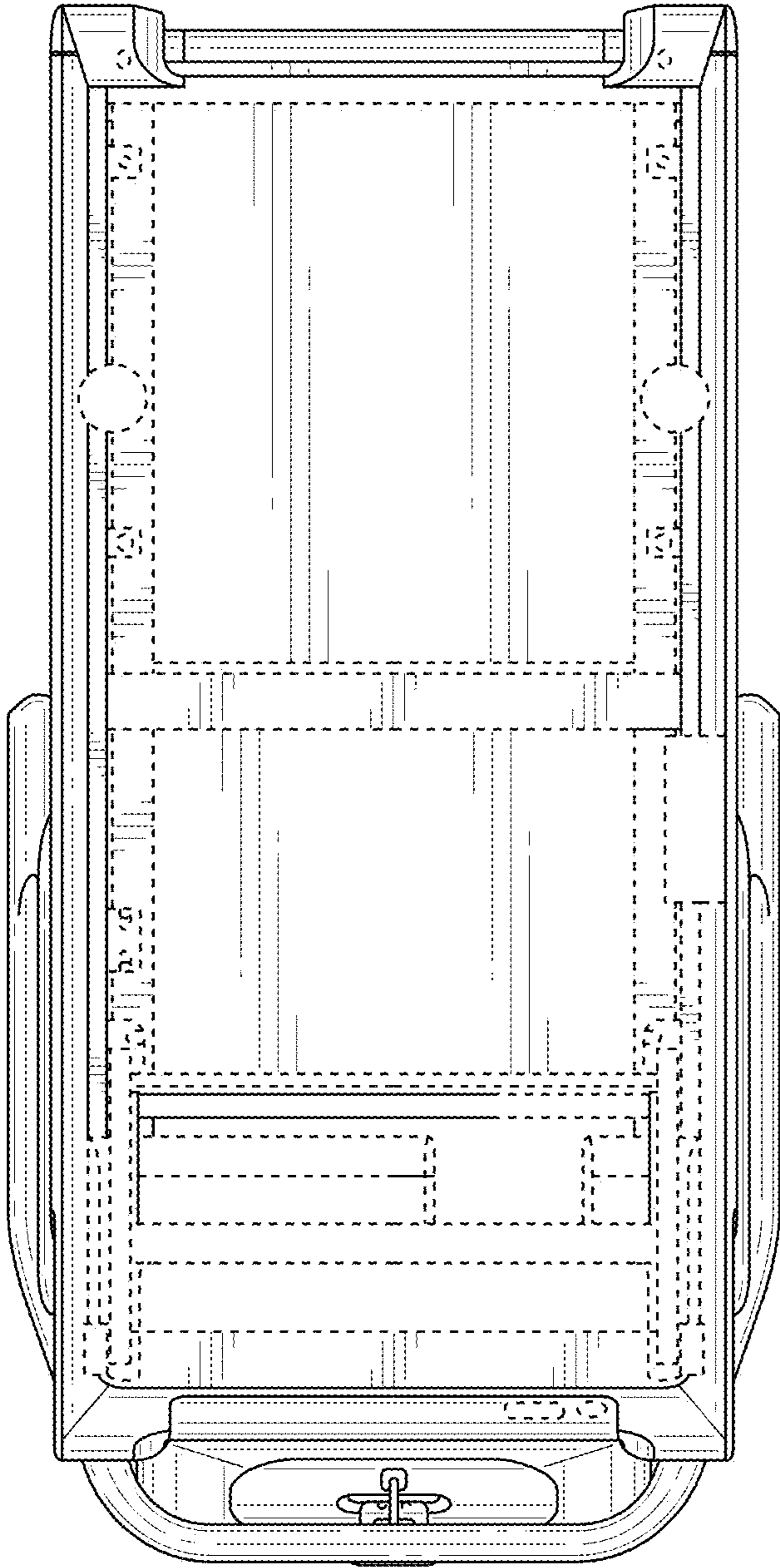


**FIG. 6**

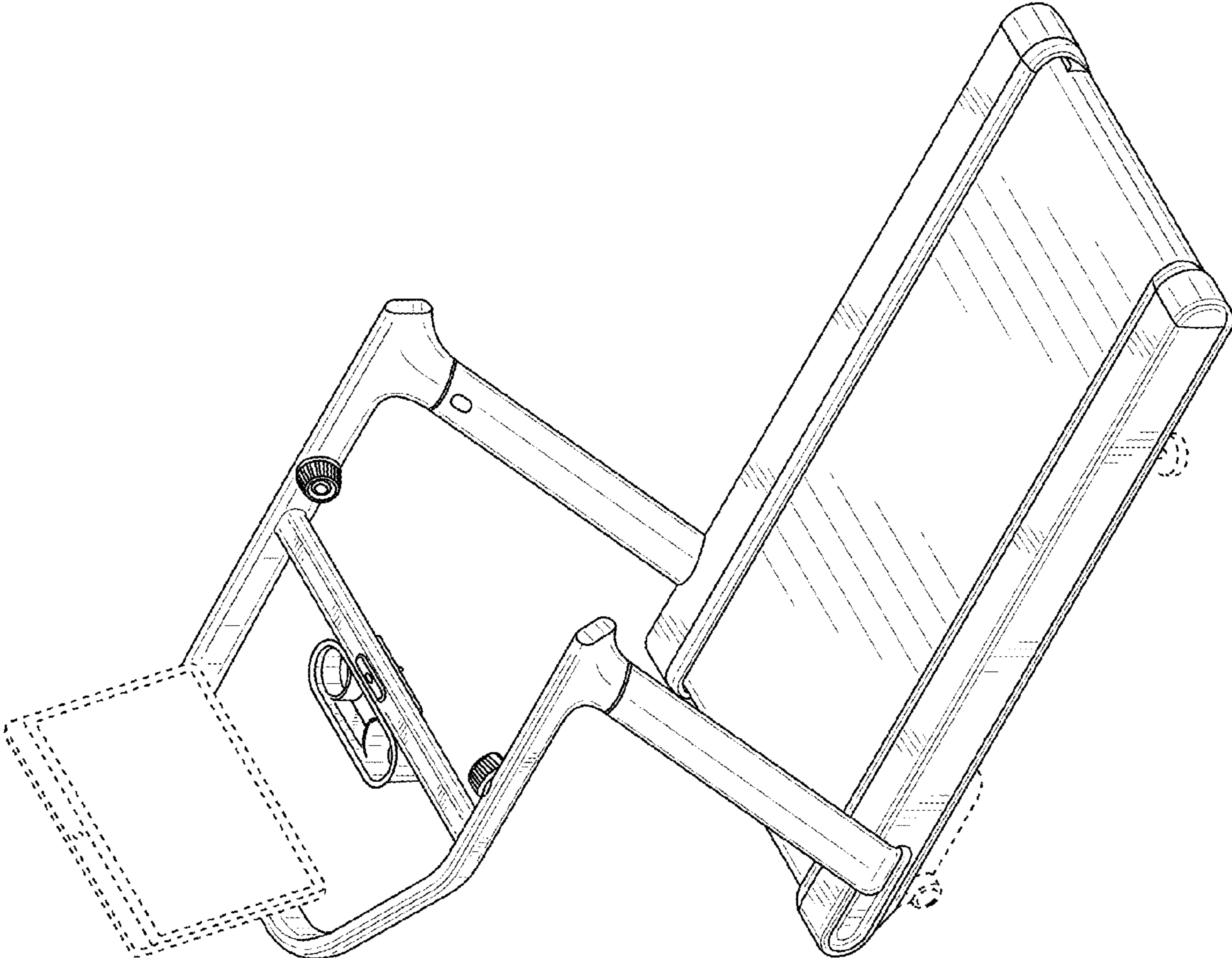




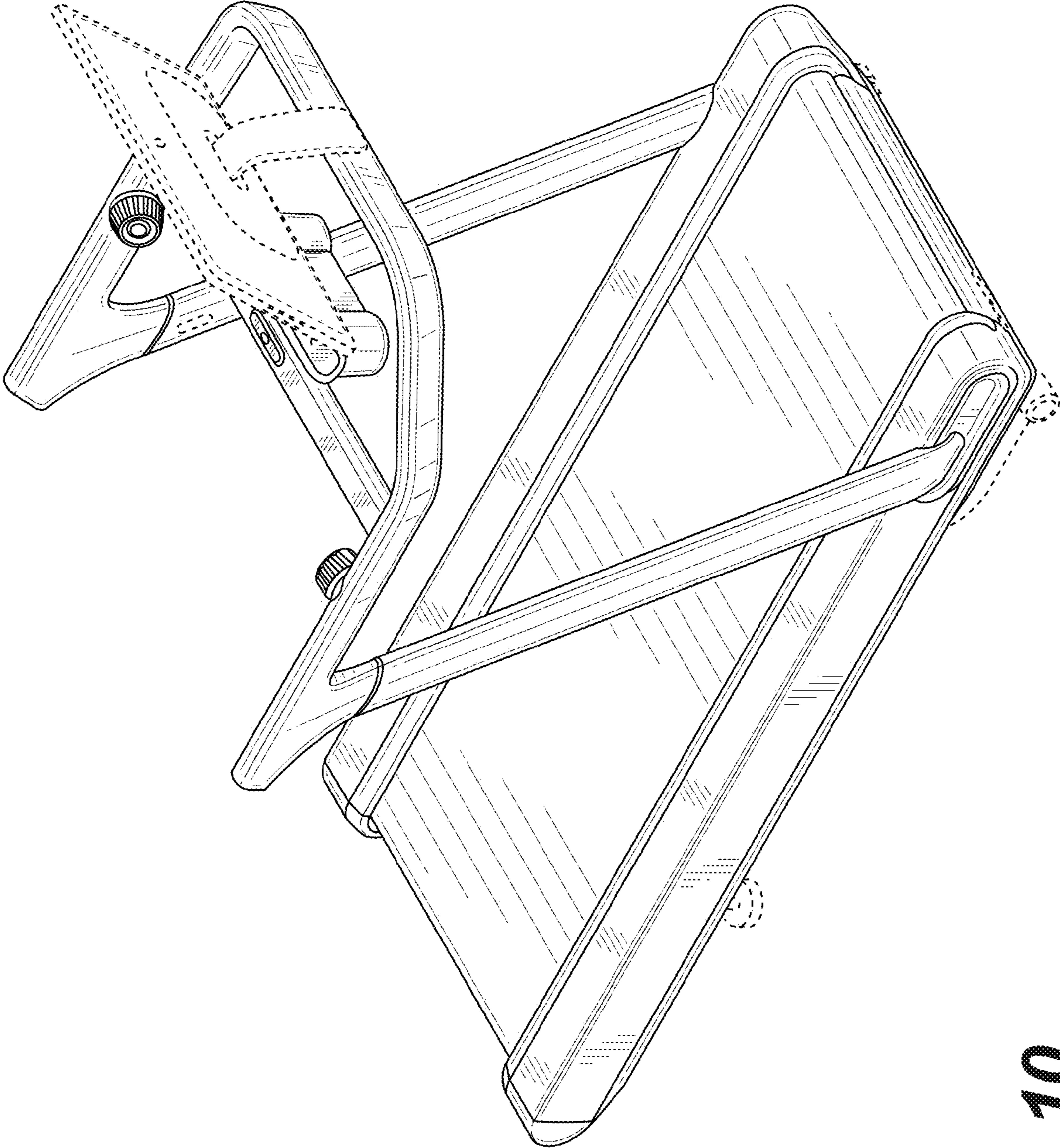
**FIG. 7**



**FIG. 8**

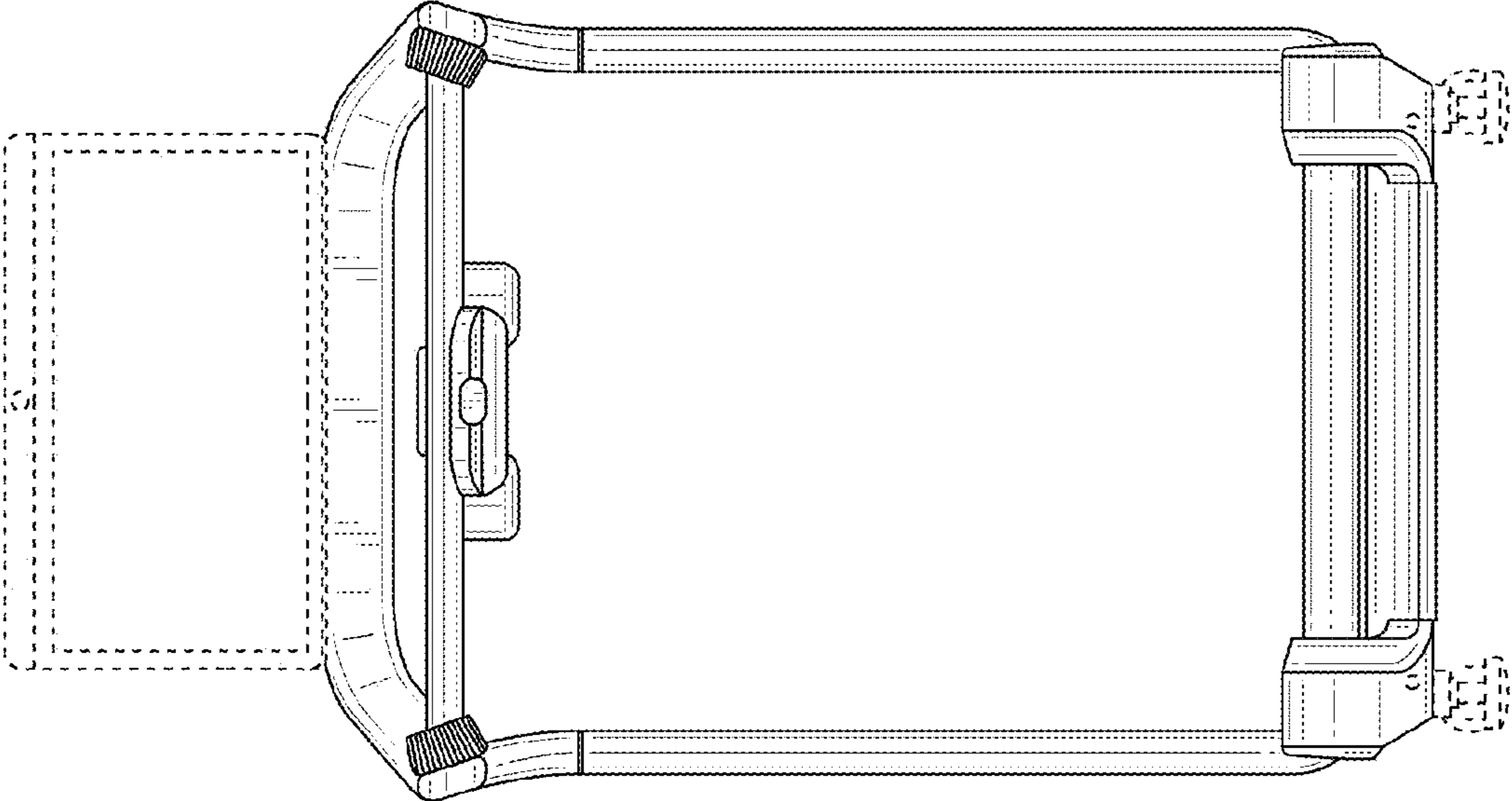


**FIG. 9**

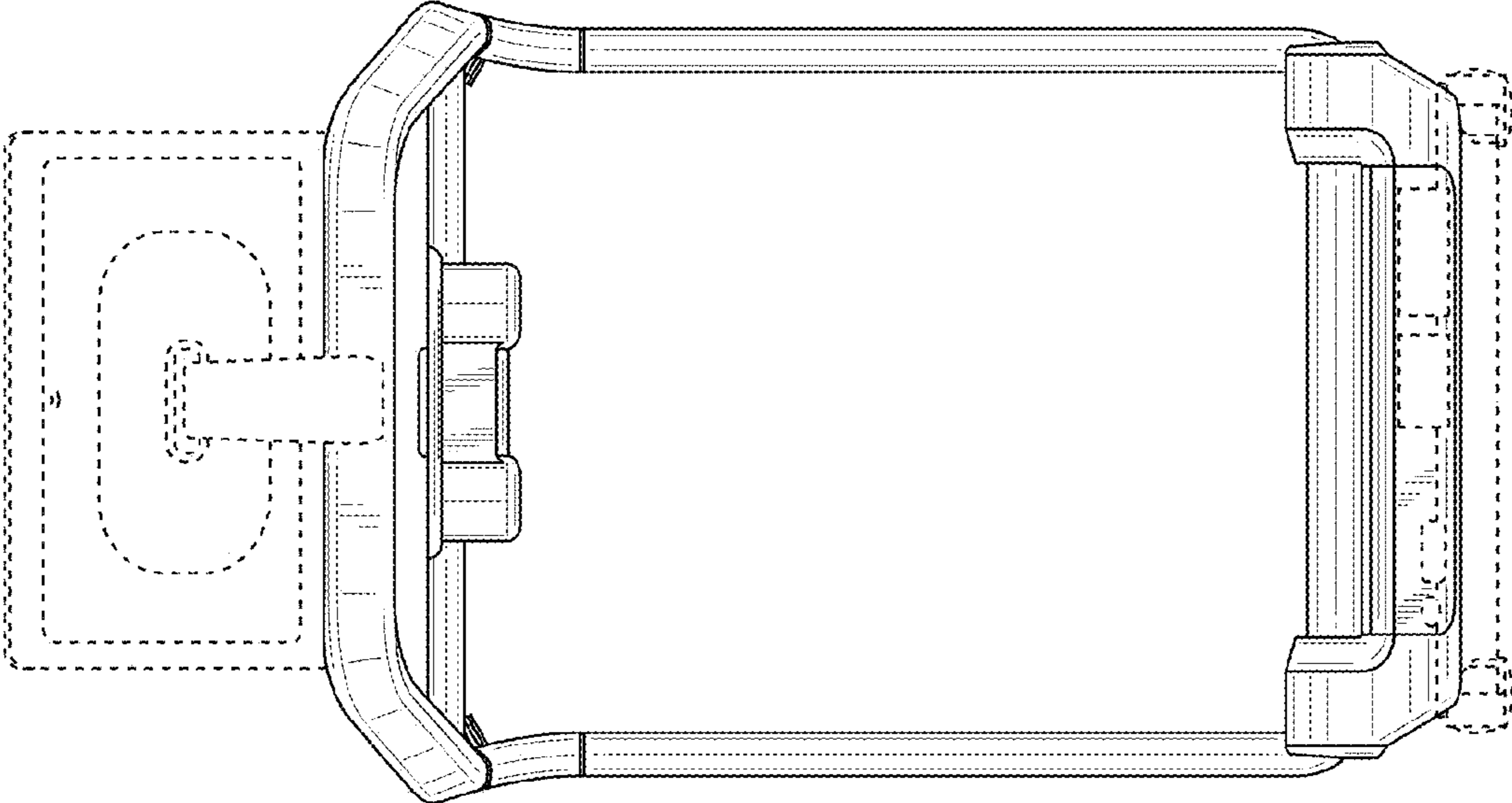


**FIG. 10**





**FIG. 11**



**FIG. 12**

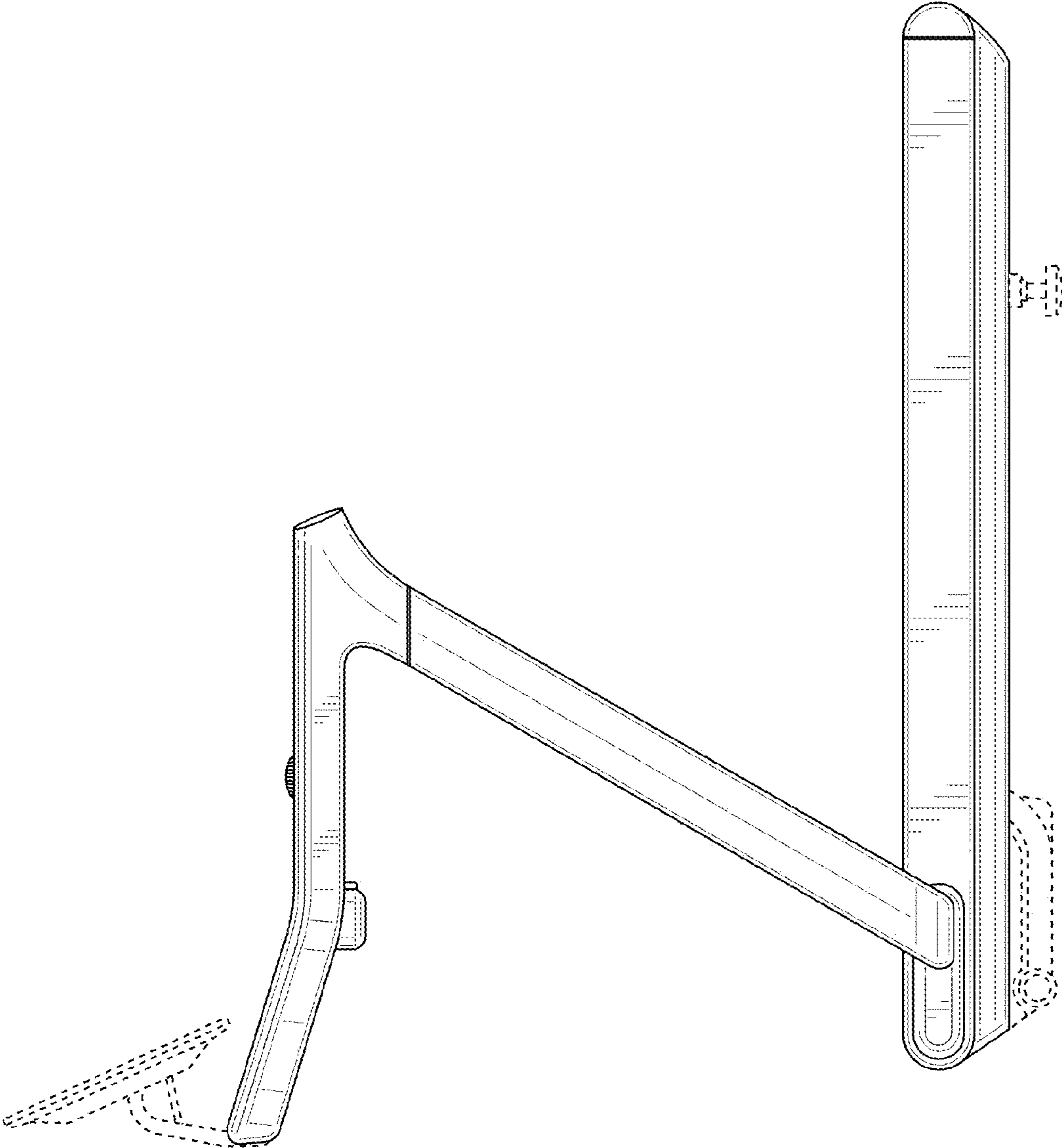
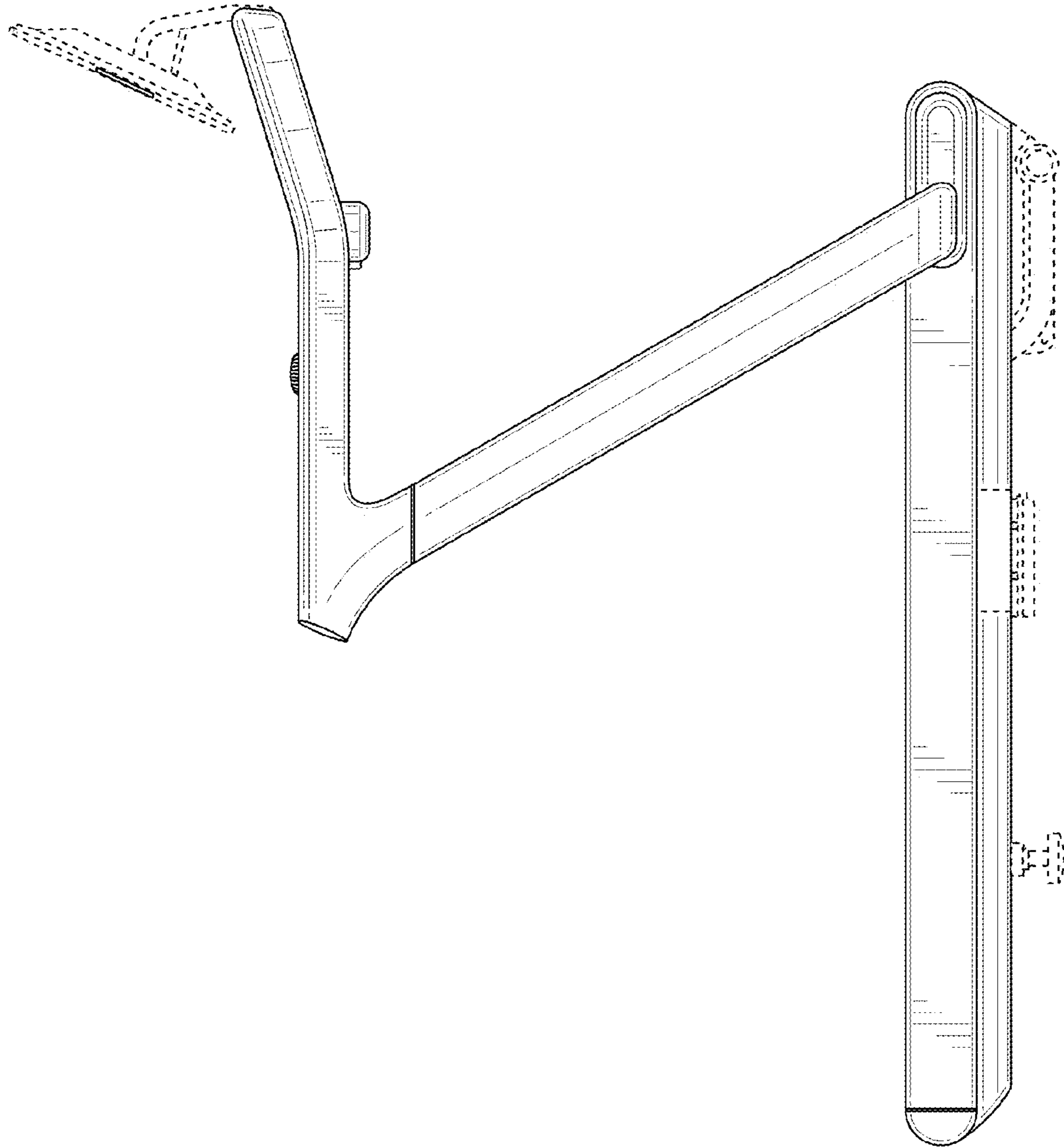


FIG. 13



**FIG. 14**



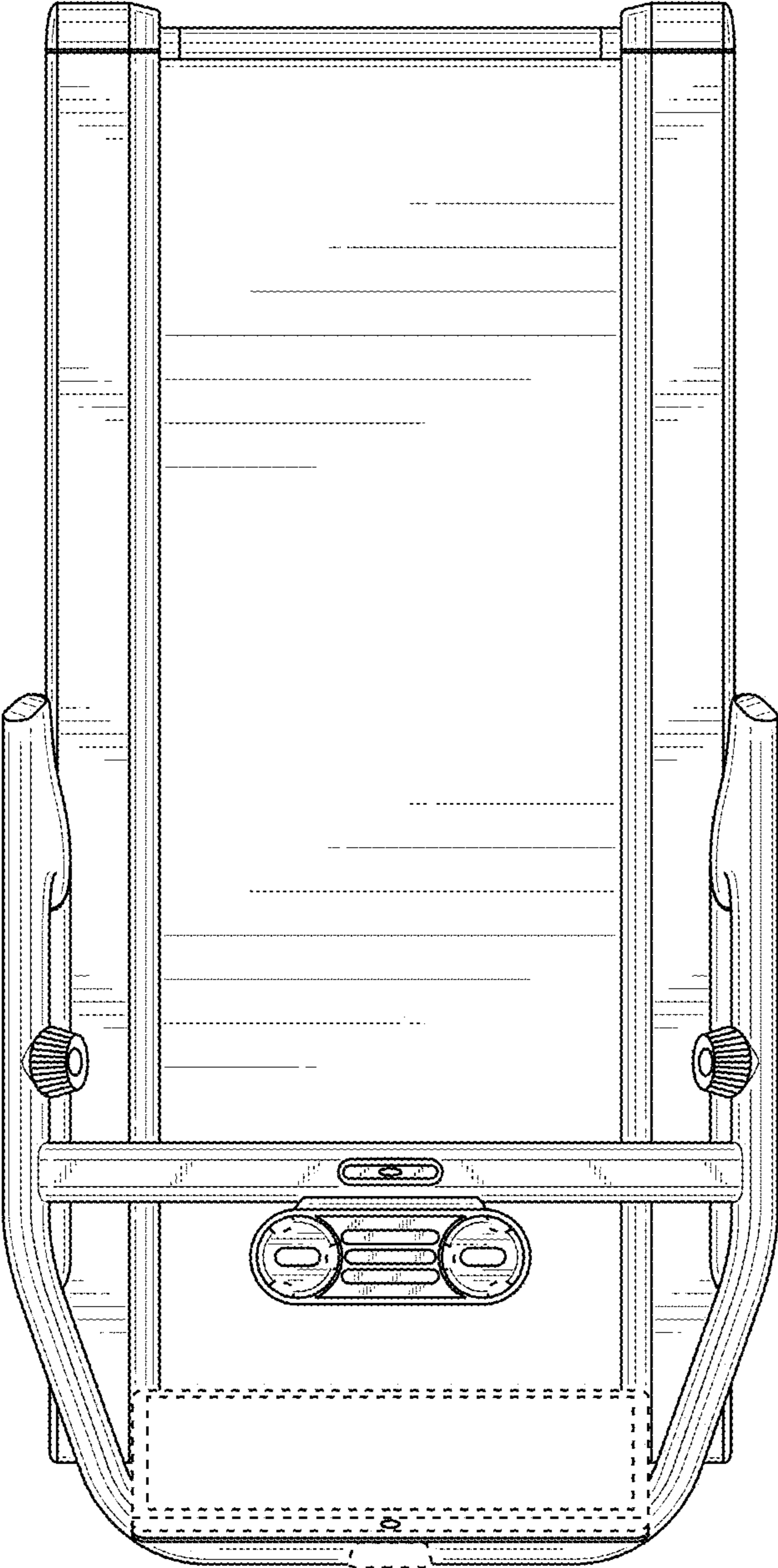
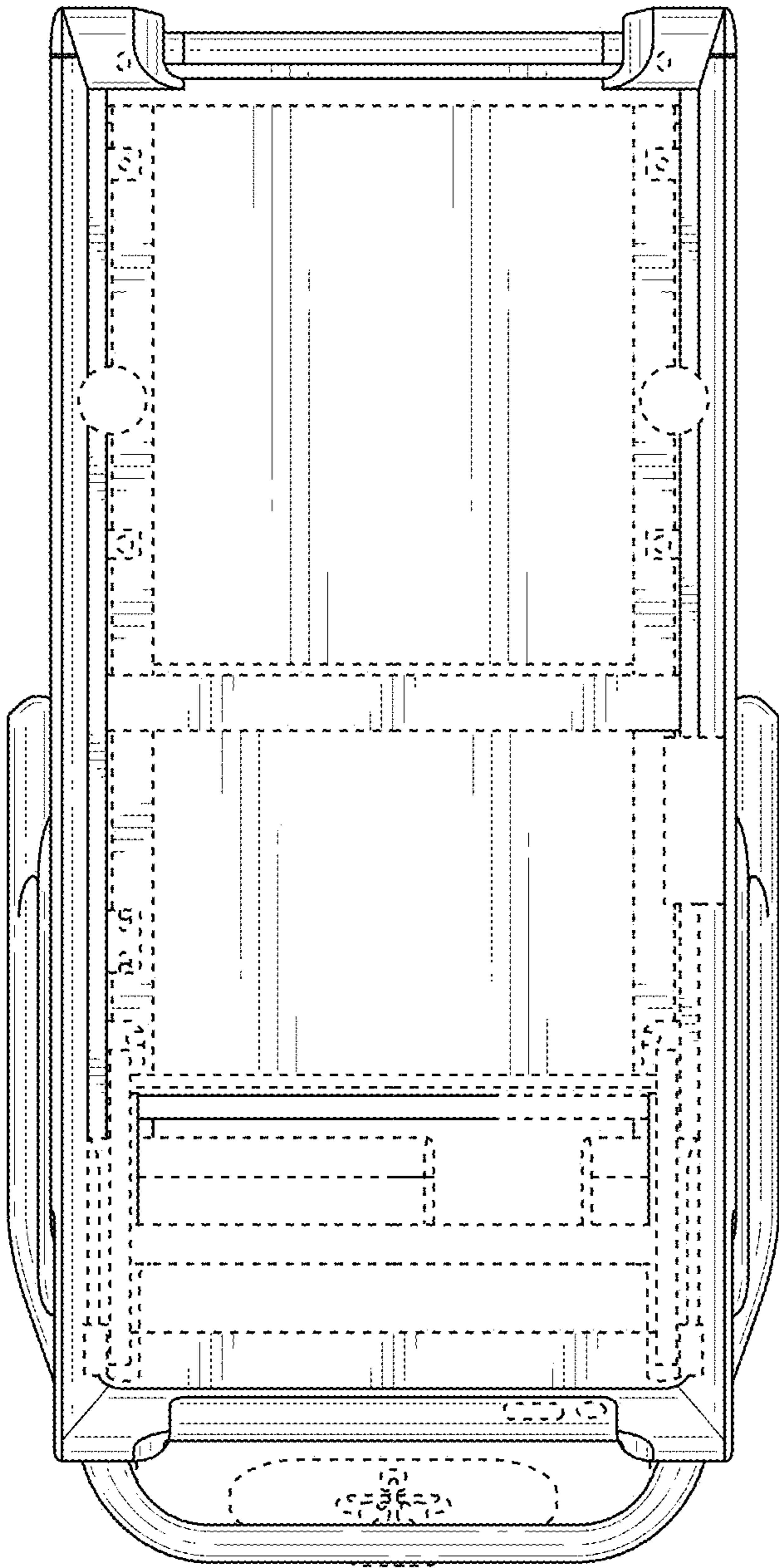
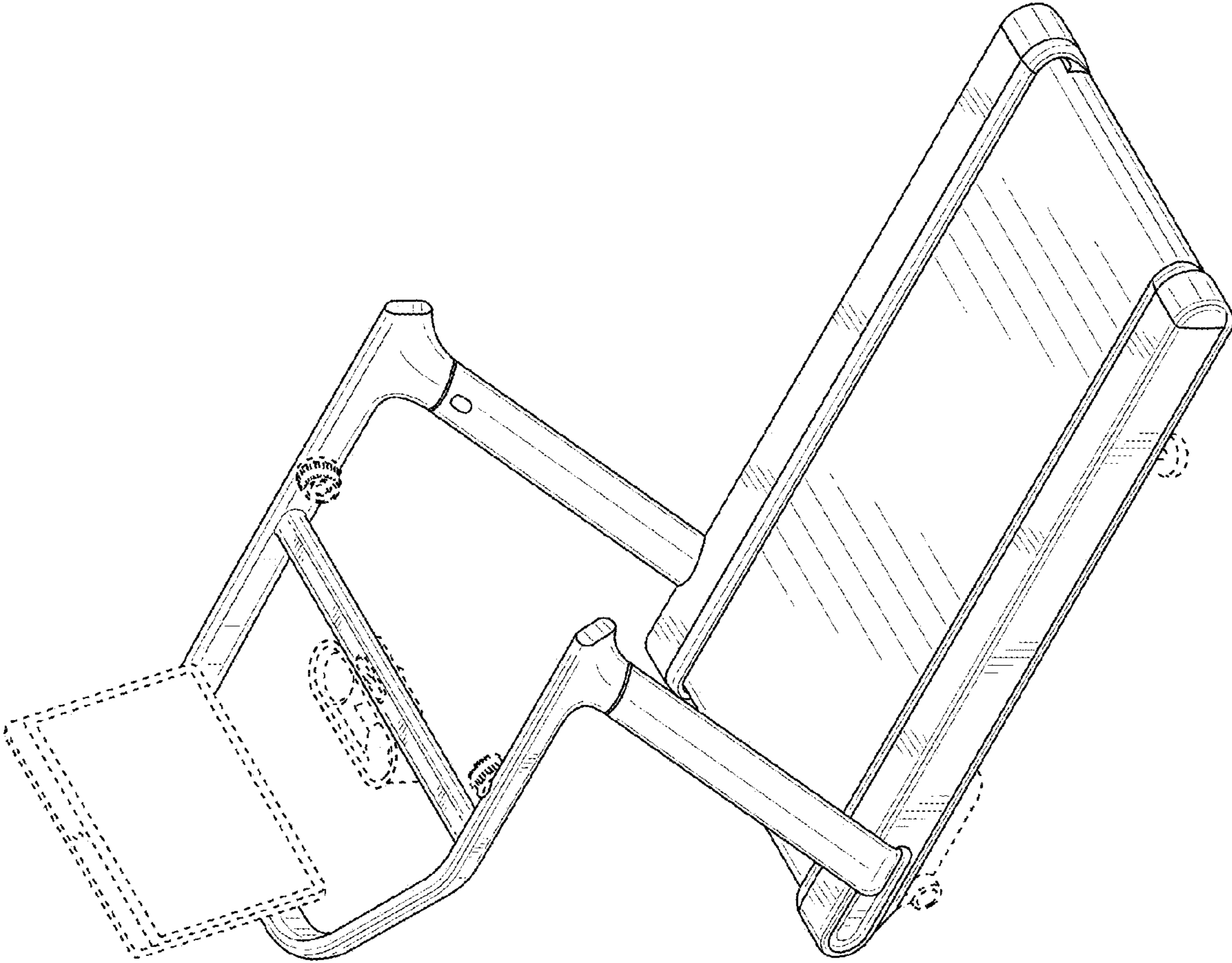


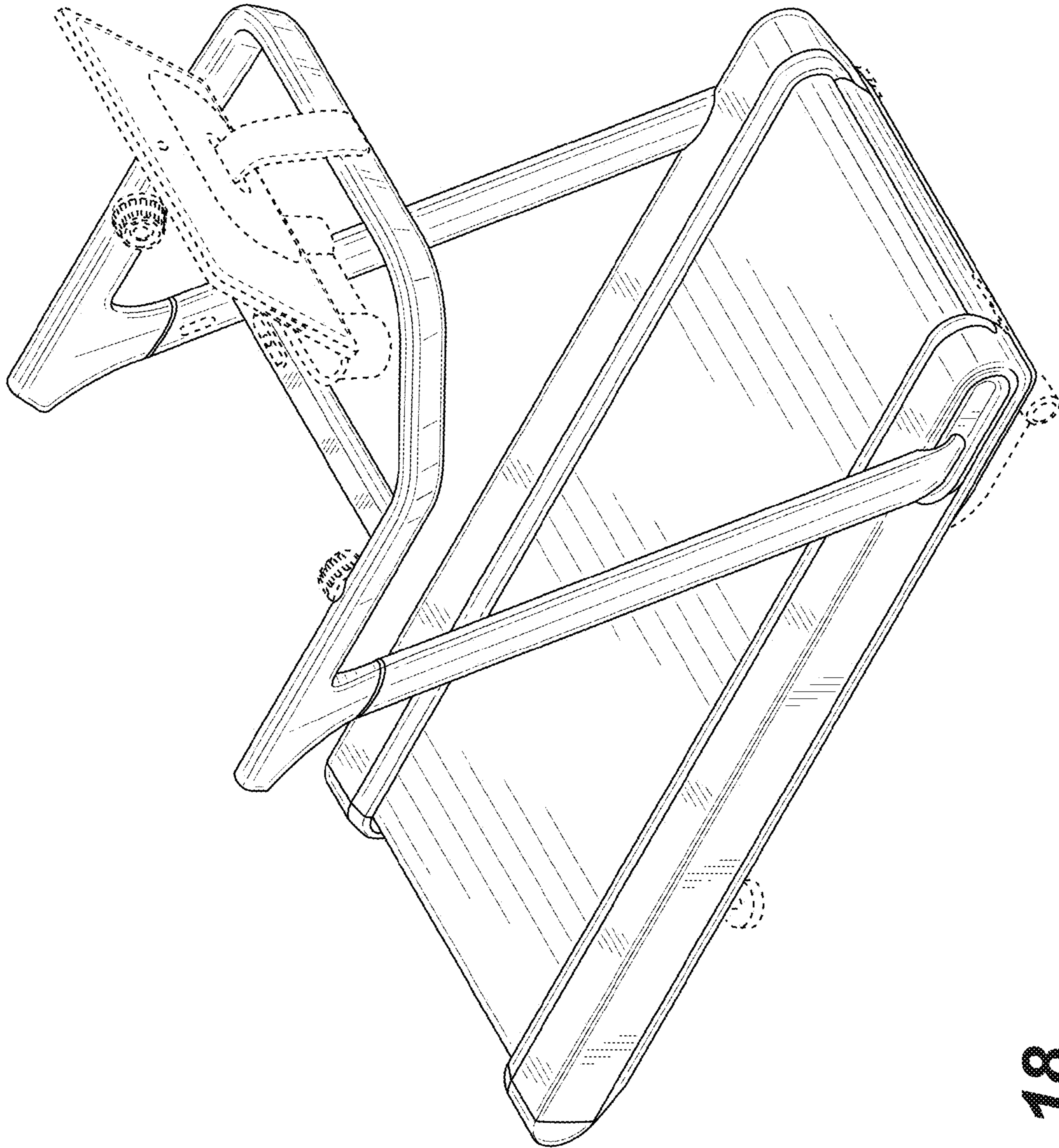
FIG. 15



**FIG. 16**



**FIG. 17**



**FIG. 18**



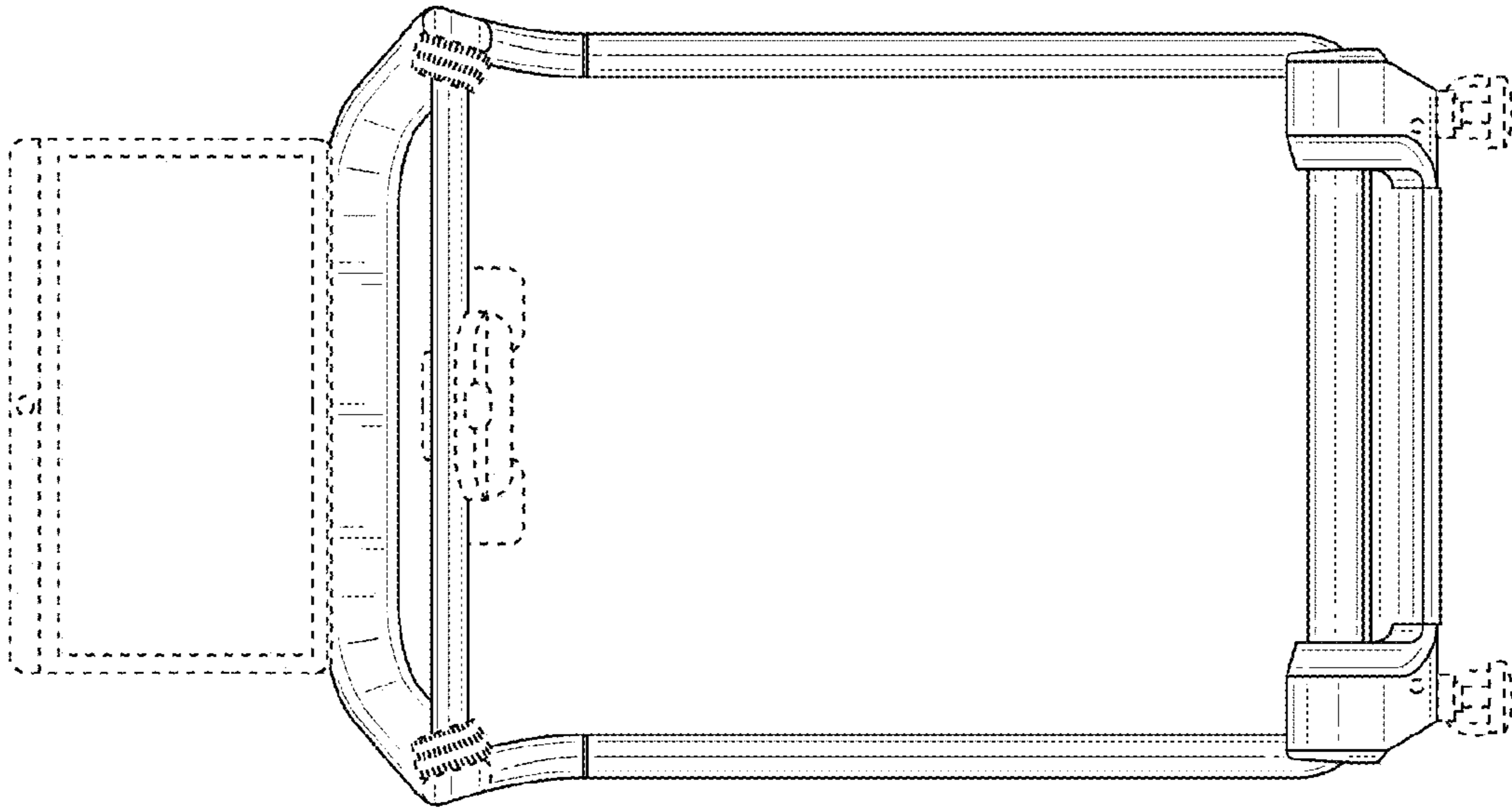
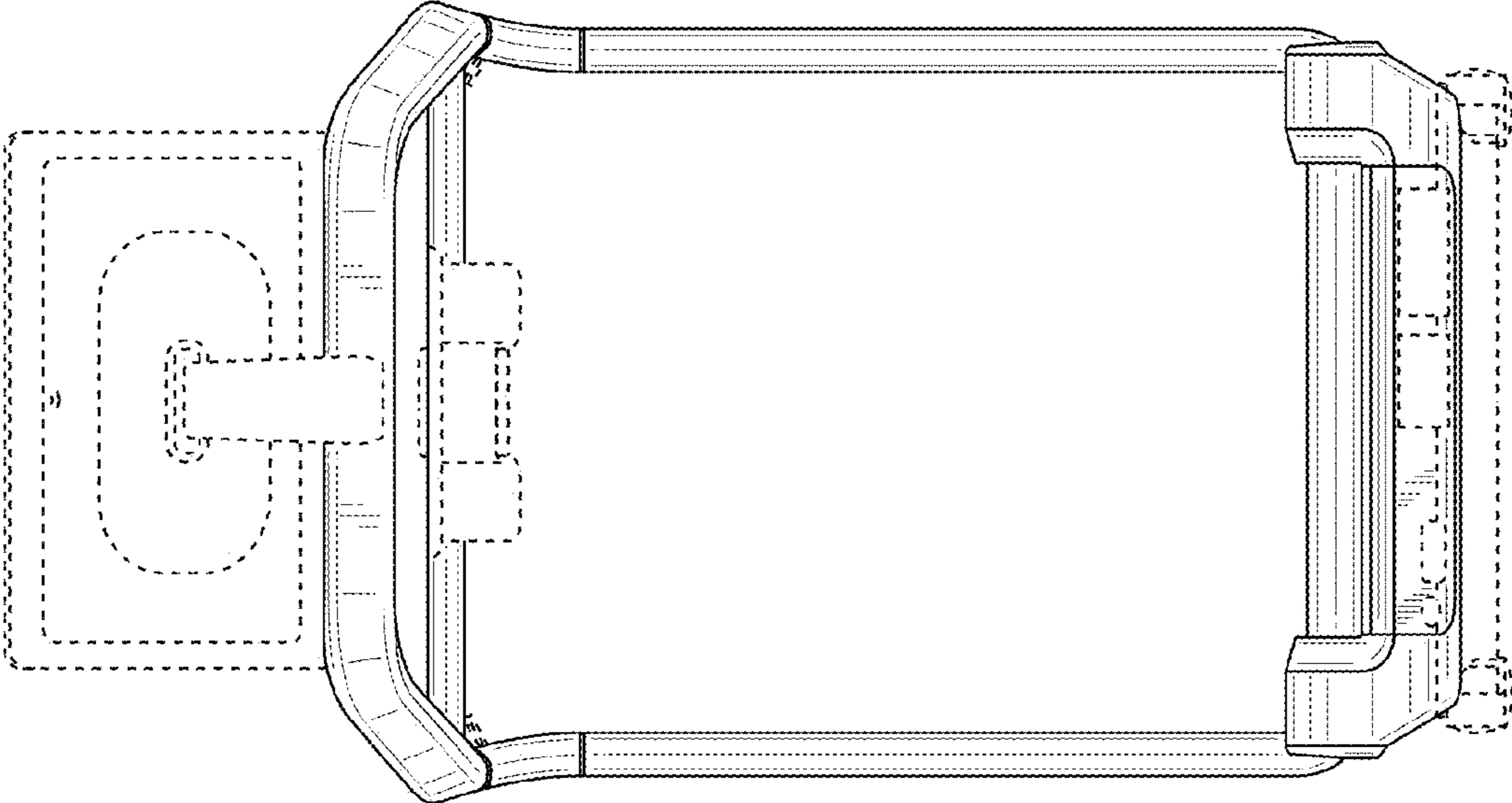
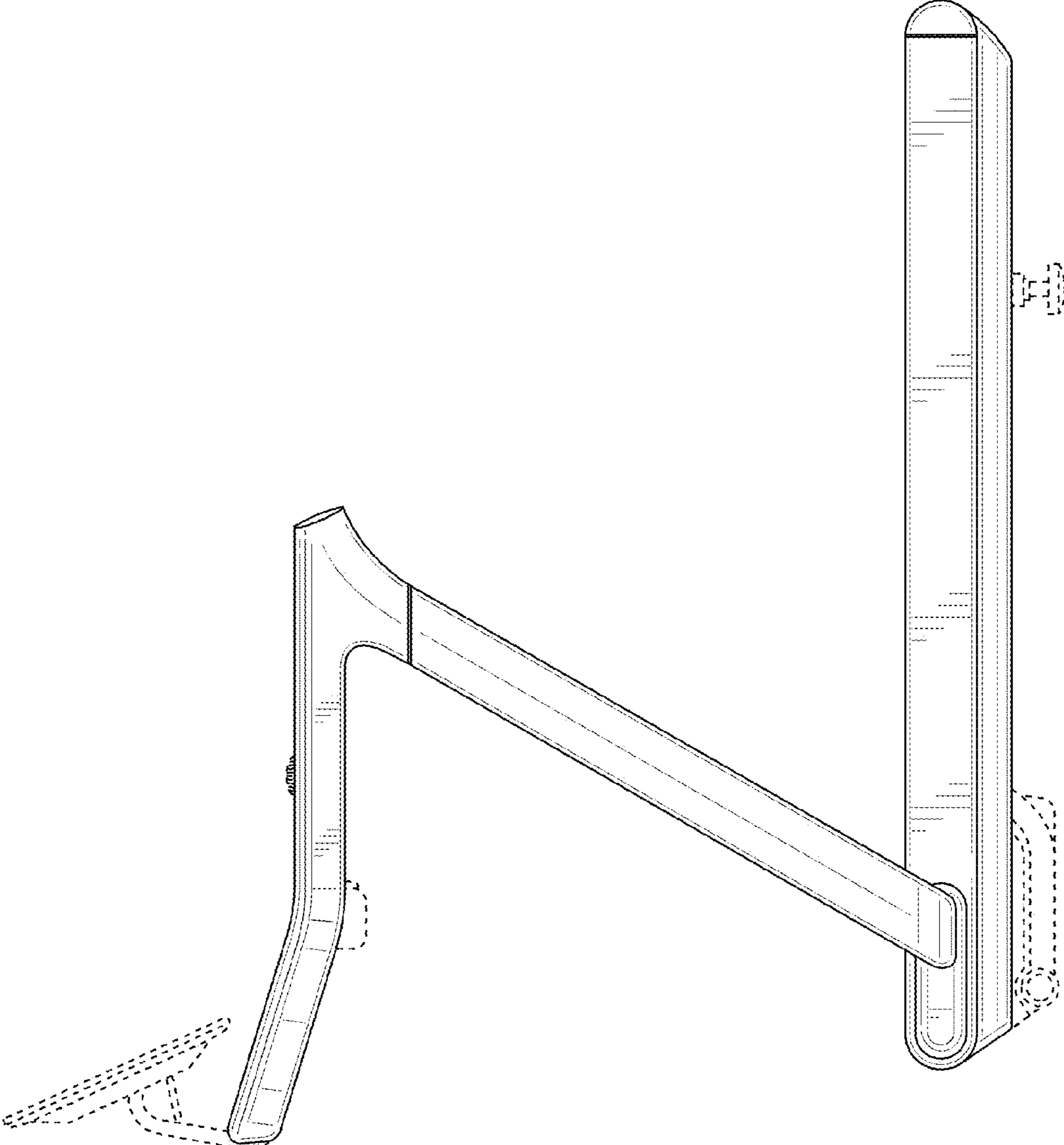


FIG. 19



**FIG. 20**



**FIG. 21**

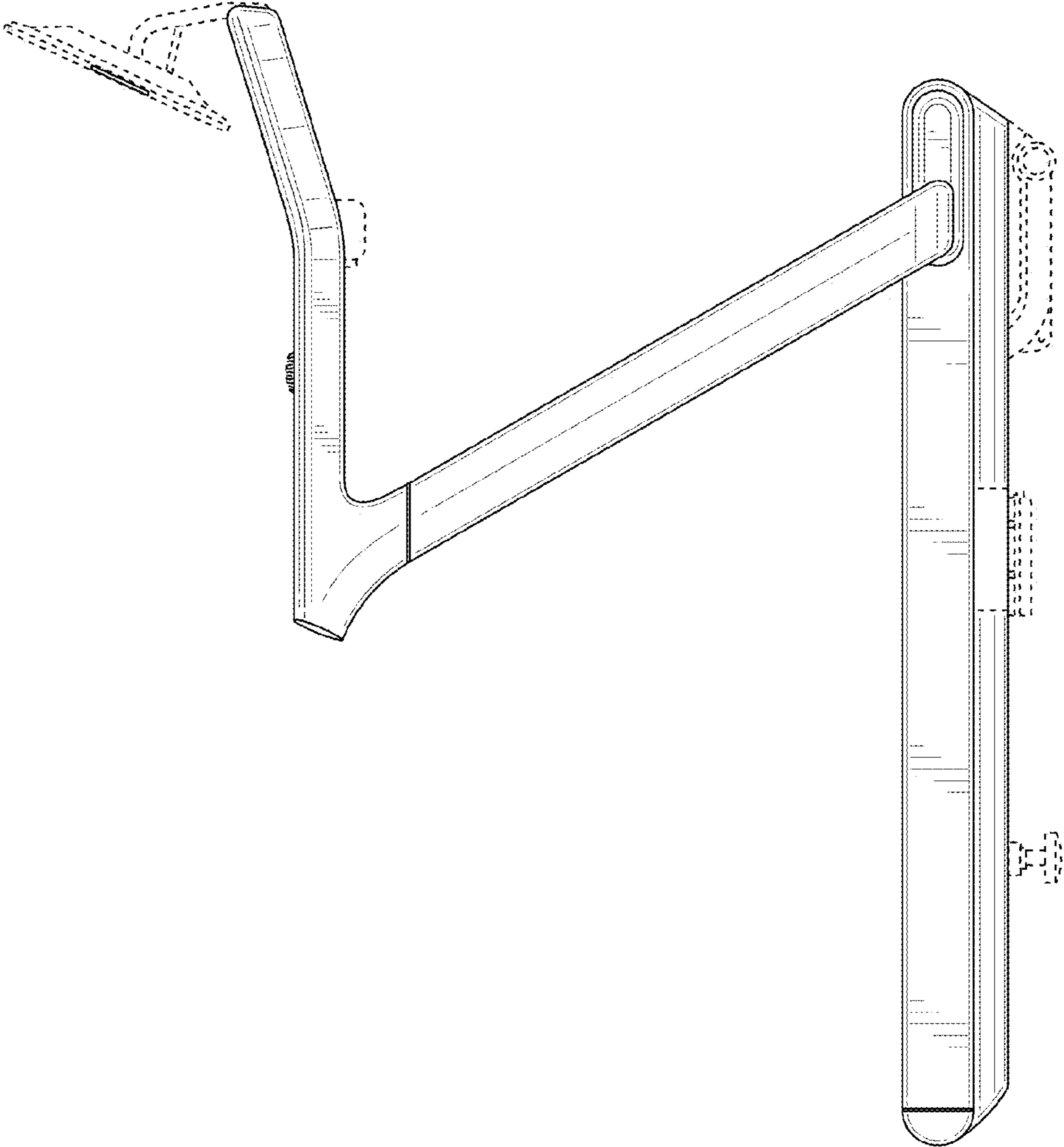


FIG. 22



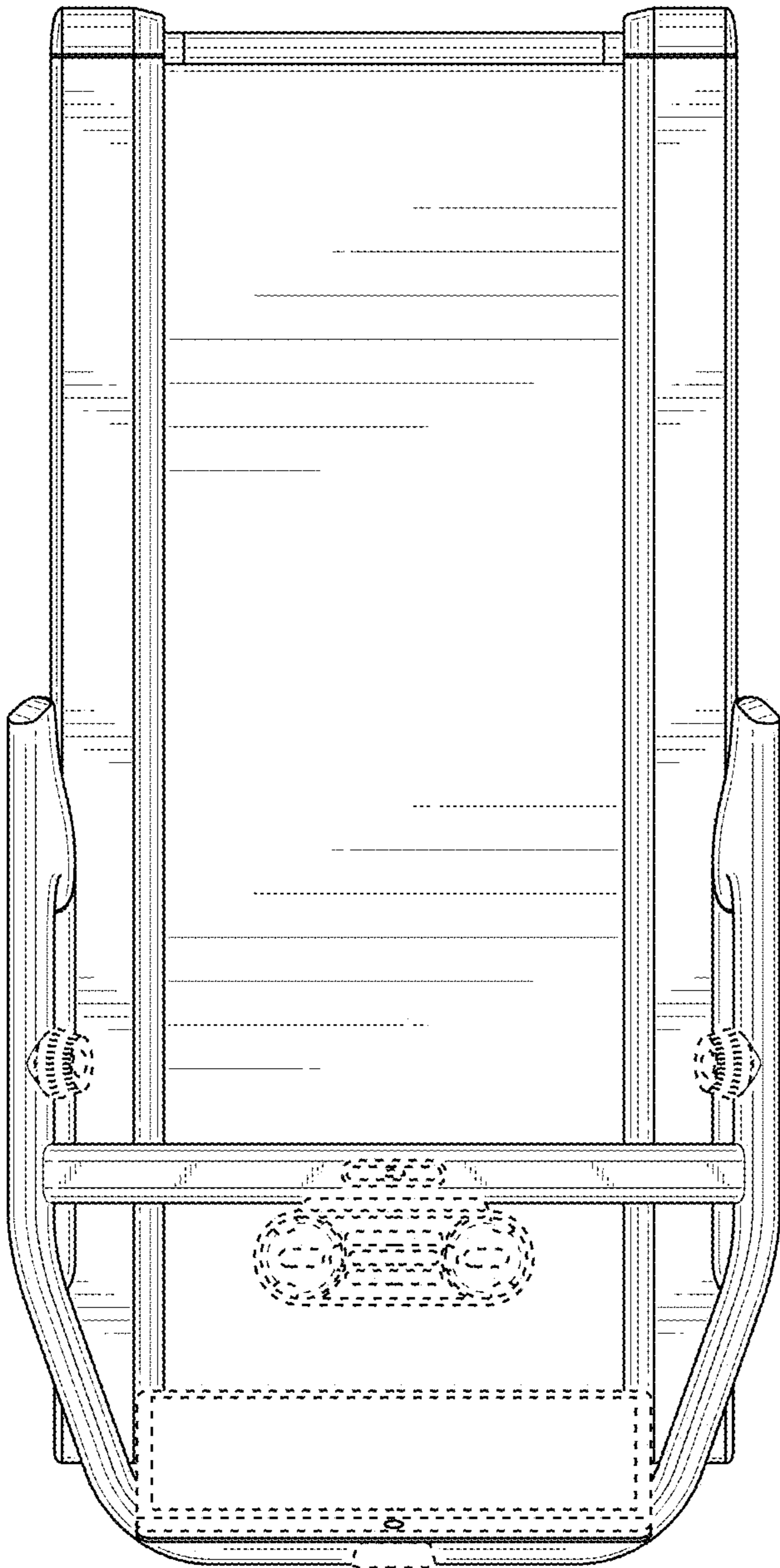
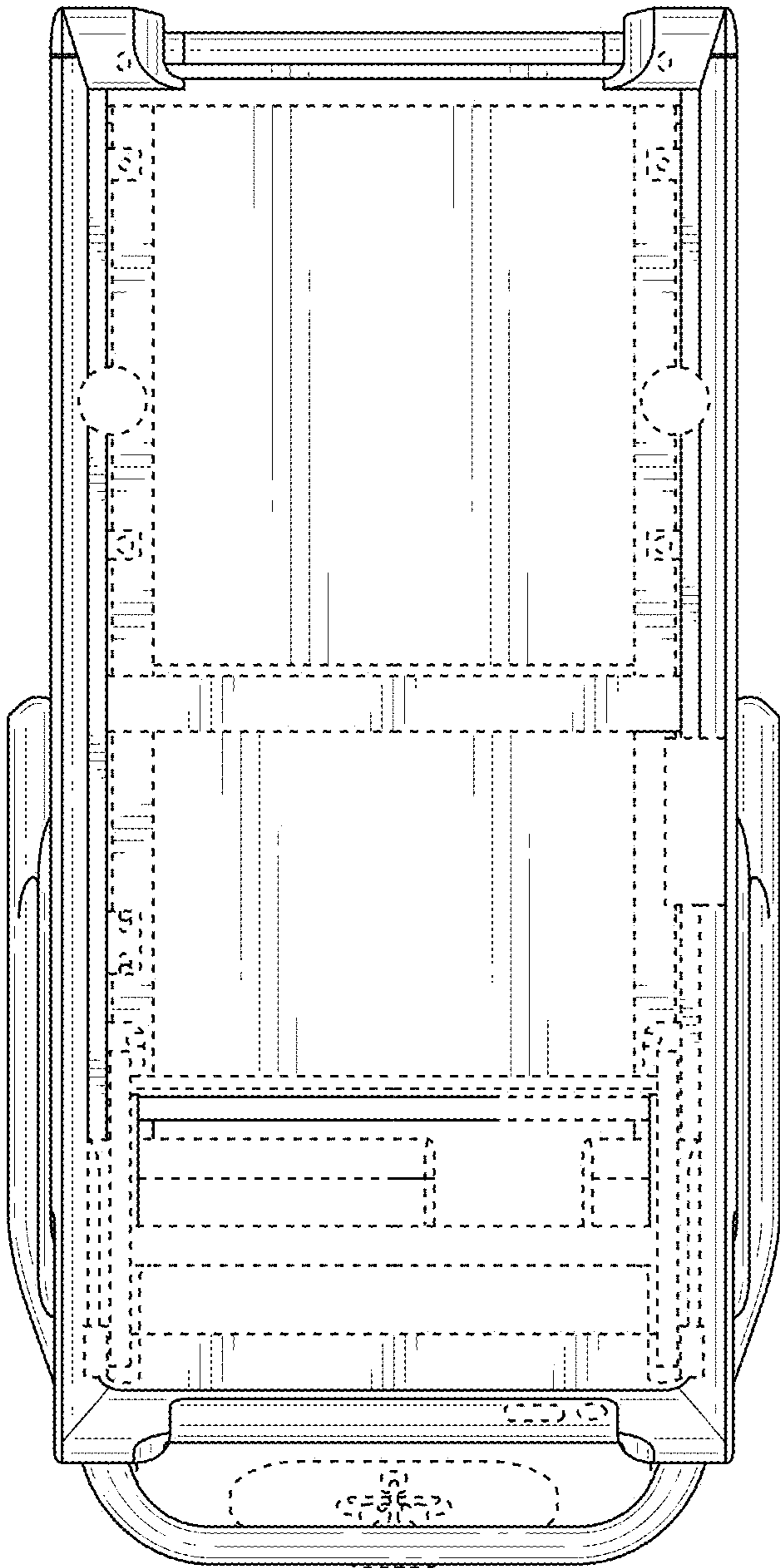


FIG. 23



**FIG. 24**