



US00D948634S

(12) **United States Design Patent**
Lin

(10) **Patent No.:** **US D948,634 S**
(45) **Date of Patent:** **** Apr. 12, 2022**

(54) **TOY GUN**

(71) Applicant: **Yong Lin**, Shantou (CN)

(72) Inventor: **Yong Lin**, Shantou (CN)

(**) Term: **15 Years**

(21) Appl. No.: **29/779,502**

(22) Filed: **Apr. 20, 2021**

(51) **LOC (13) Cl.** **21-02**

(52) **U.S. Cl.**
USPC **D21/573**

(58) **Field of Classification Search**
USPC D14/399–402, 418, 496; D21/324, 333,
D21/483, 490, 567, 570, 572–575;
D22/100, 108–110
CPC F41B 9/0003; F41B 9/0006; F41B 9/0009
See application file for complete search history.

(56) **References Cited**

U.S. PATENT DOCUMENTS

4,175,747	A	*	11/1979	Hudson	F41A 33/00
						273/358
D286,308	S	*	10/1986	Mayer	D21/573
D396,068	S	*	7/1998	Chikui	D21/385
D646,281	S	*	10/2011	Markowitz	D14/418
D658,260	S	*	4/2012	Huang	D22/103
D664,604	S	*	7/2012	Greiner	D21/570
D671,183	S	*	11/2012	Lucansky	D22/103
D693,811	S	*	11/2013	Augustin, Jr.	D14/418
D718,824	S	*	12/2014	Huang	D21/570
D729,880	S	*	5/2015	Nichols	D21/573
D786,986	S	*	5/2017	Su	D21/570

D814,598	S	*	4/2018	Monti	D22/108
D832,370	S	*	10/2018	Chen	D21/573
D832,939	S		11/2018	Chen		
D842,390	S		3/2019	Iwasawa		
10,234,233	B1	*	3/2019	Spikes	F41B 9/0006
D847,137	S	*	4/2019	Monti	D14/418
10,322,355	B1	*	6/2019	Liu	A63H 5/04
D905,062	S	*	12/2020	Fuchs	D14/418
D908,816	S		1/2021	Cheng		
2008/0022990	A1	*	1/2008	Mitchell	F41B 11/641
						124/65
2020/0080816	A1	*	3/2020	Walter	F41B 9/0071

* cited by examiner

Primary Examiner — Michael C Stout
Assistant Examiner — Melvin L Davis
(74) *Attorney, Agent, or Firm* — True Shepherd LLC;
Andrew C. Cheng

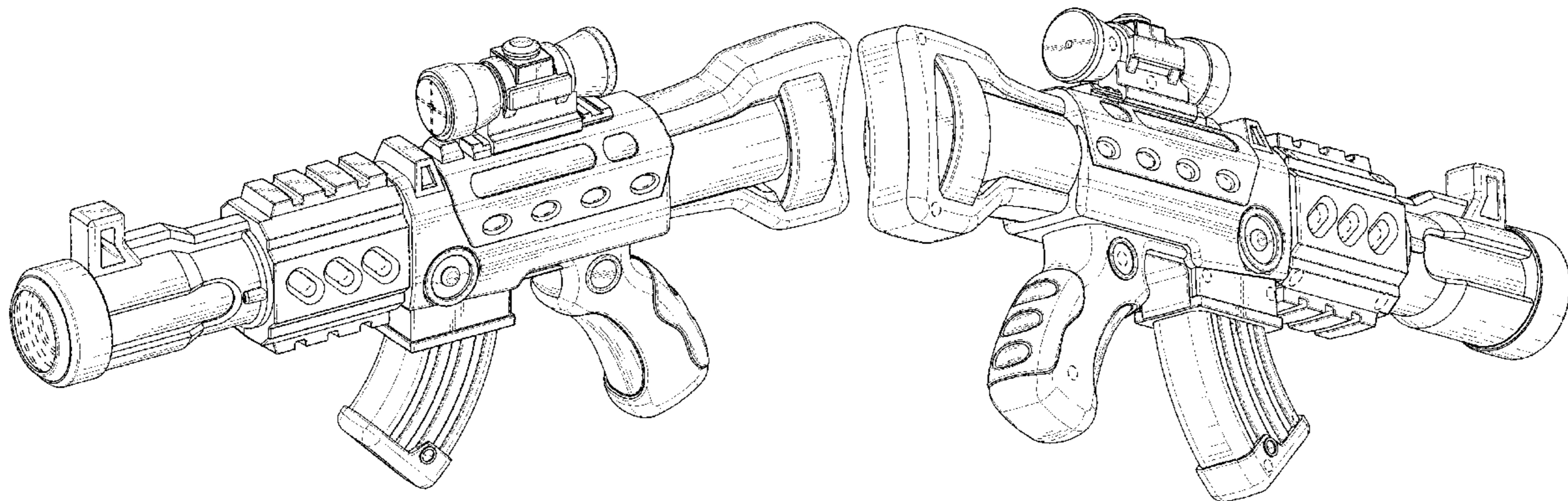
(57) **CLAIM**

The ornamental design for toy gun, as shown and described.

DESCRIPTION

FIG. 1 is a perspective view of a toy gun showing my new design;
FIG. 2 is another perspective view thereof;
FIG. 3 is a front view thereof;
FIG. 4 is a rear view thereof;
FIG. 5 is a left side view thereof;
FIG. 6 is a right side view thereof;
FIG. 7 is a top plan view thereof; and,
FIG. 8 is a bottom plan view thereof.
The broken lines depict portions of the toy gun and form no part of the claimed design.

1 Claim, 8 Drawing Sheets



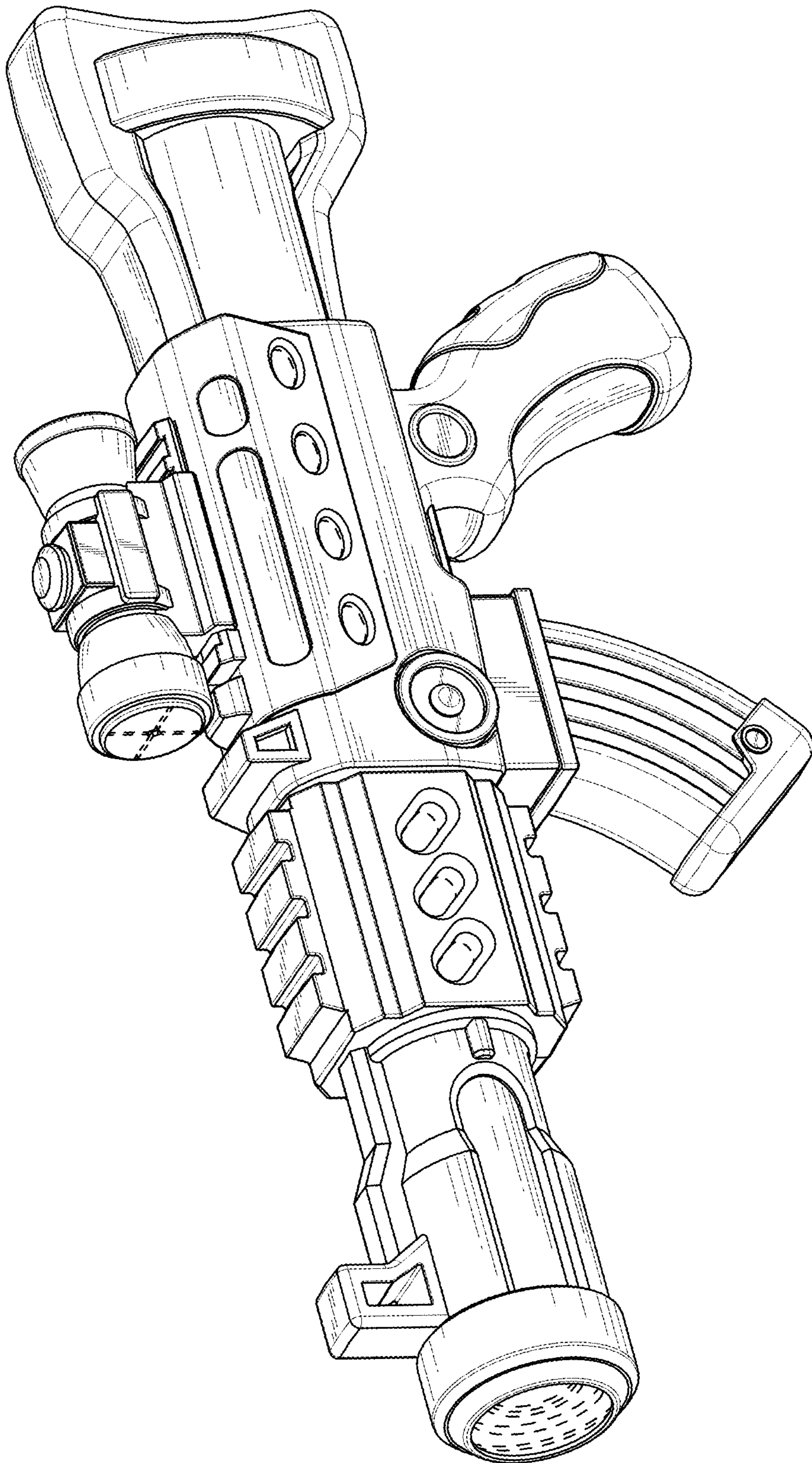


FIG. 1

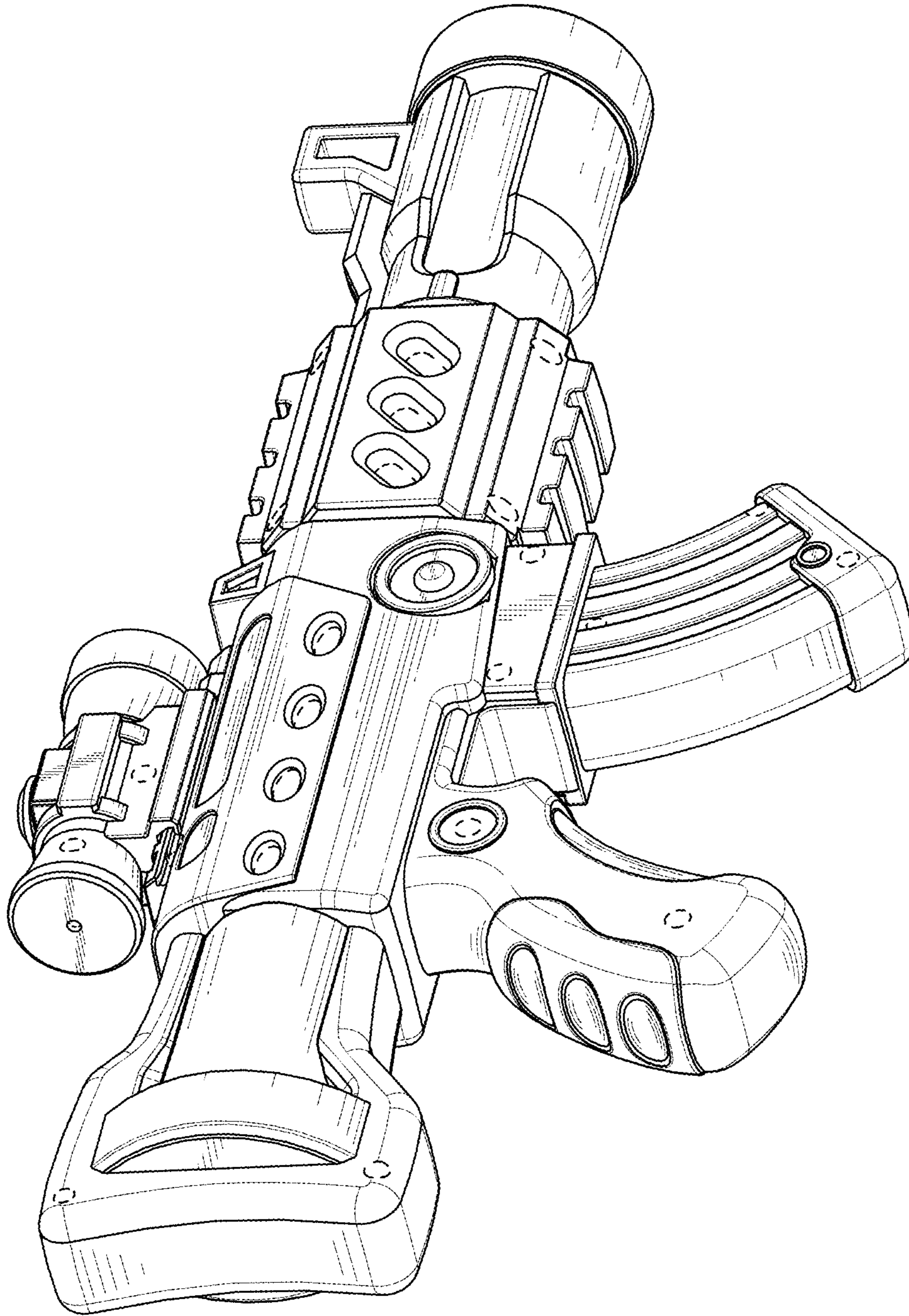


FIG. 2

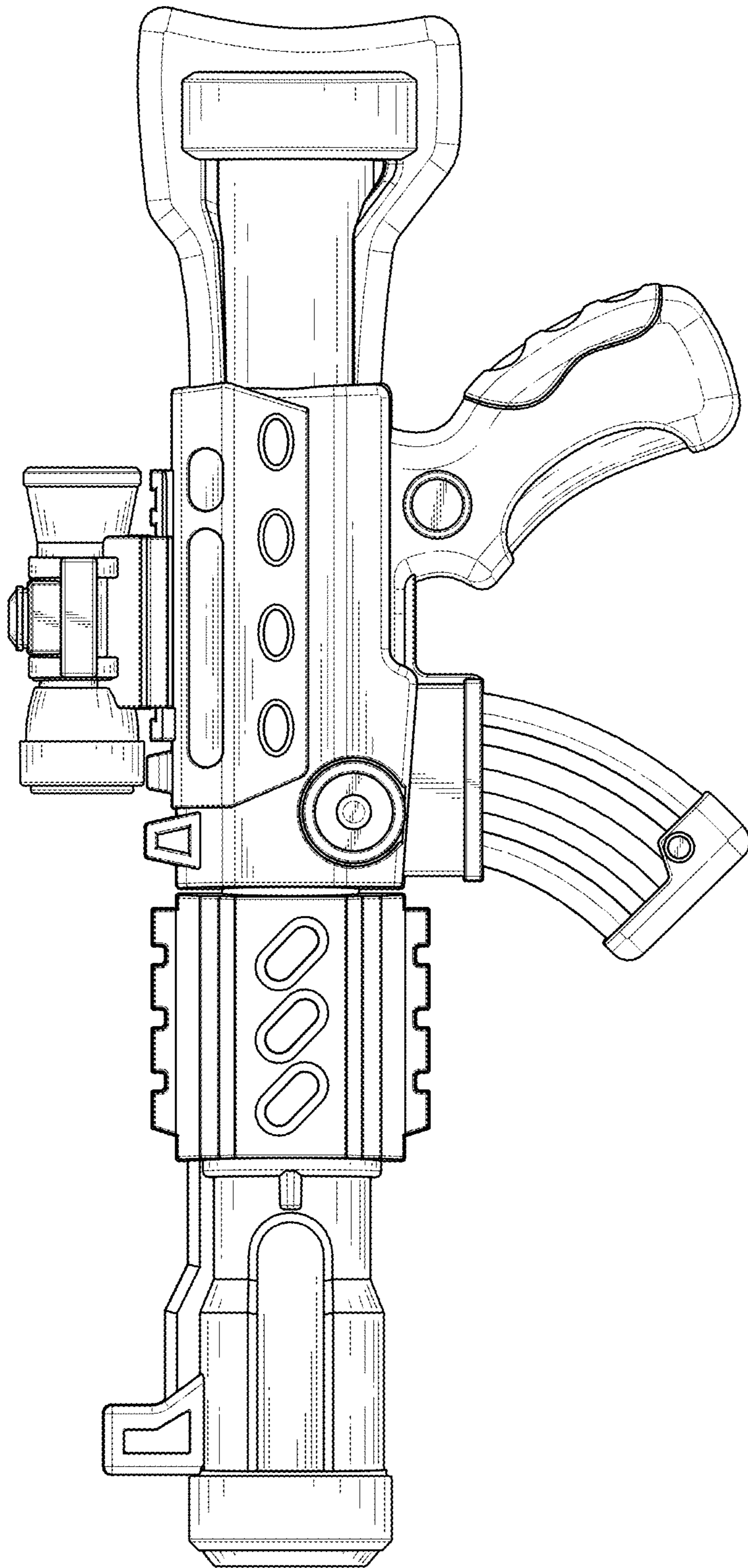


FIG. 3

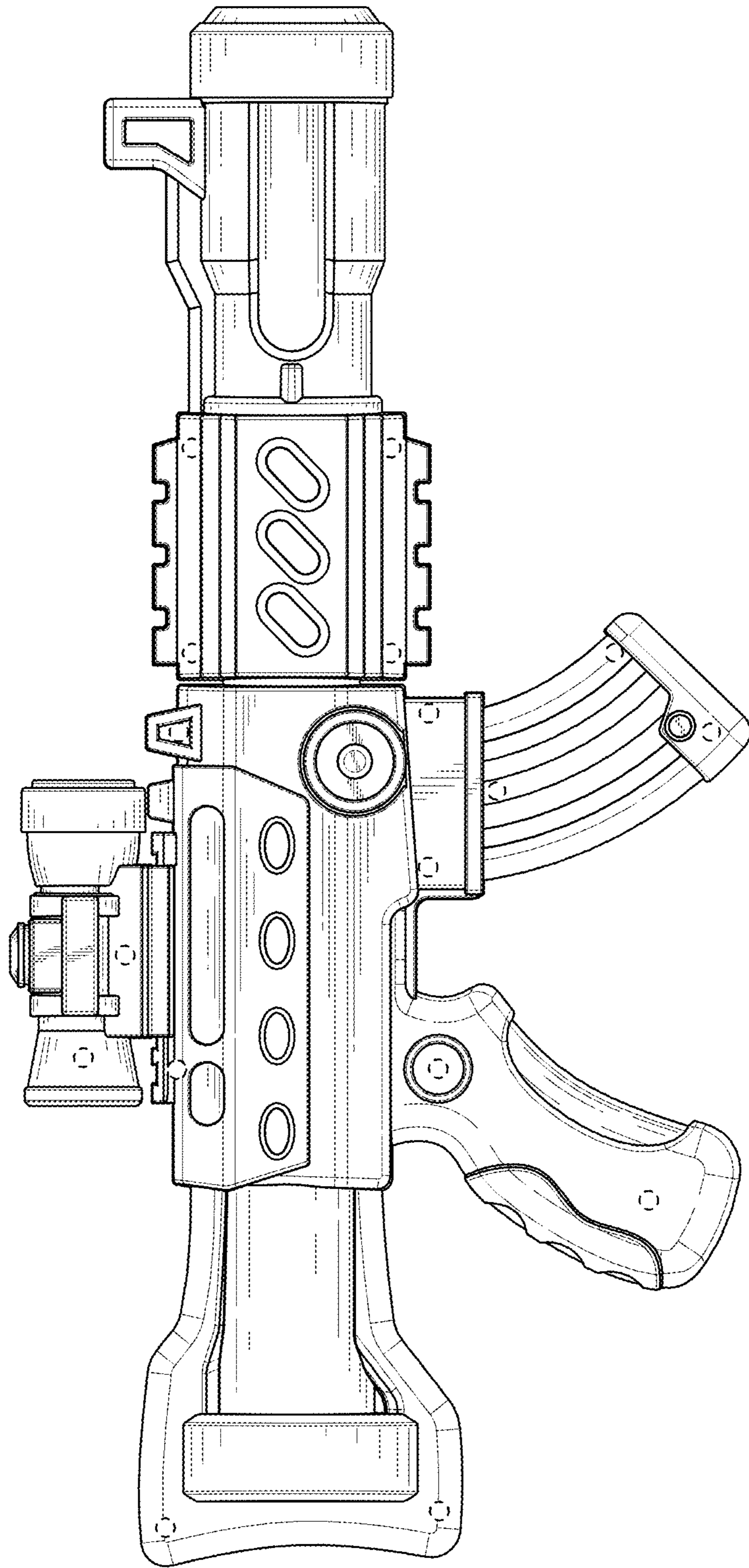


FIG. 4

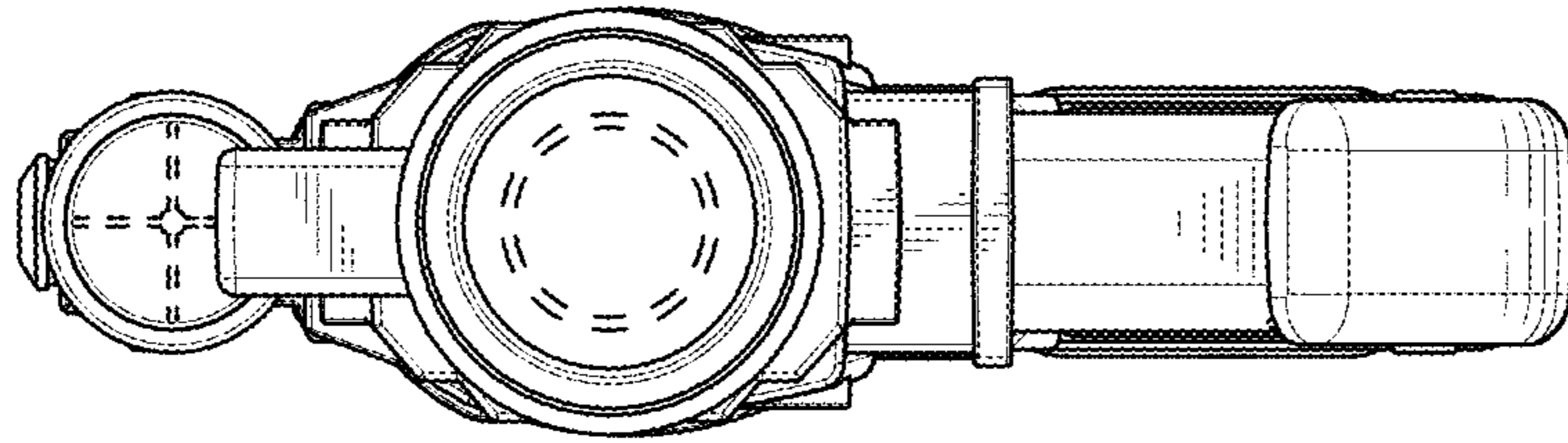


FIG. 5

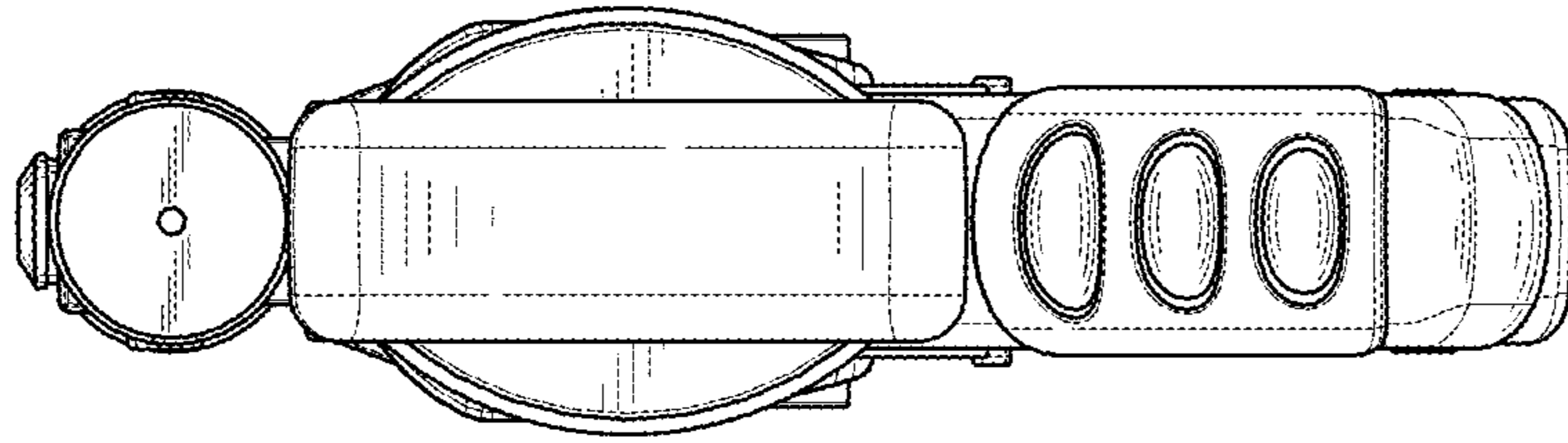


FIG. 6

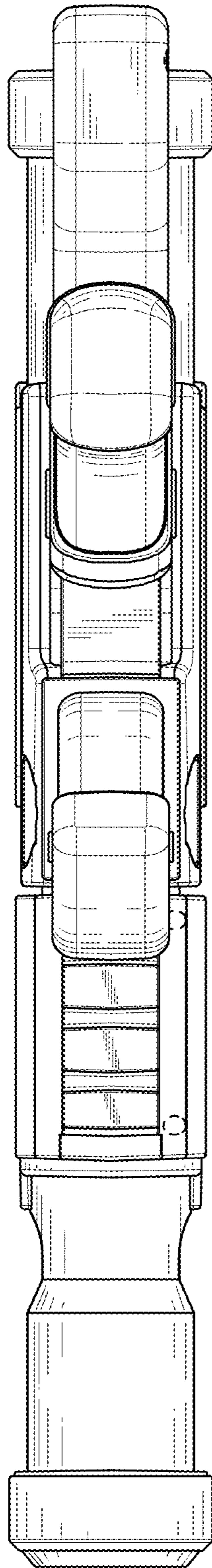


FIG. 7

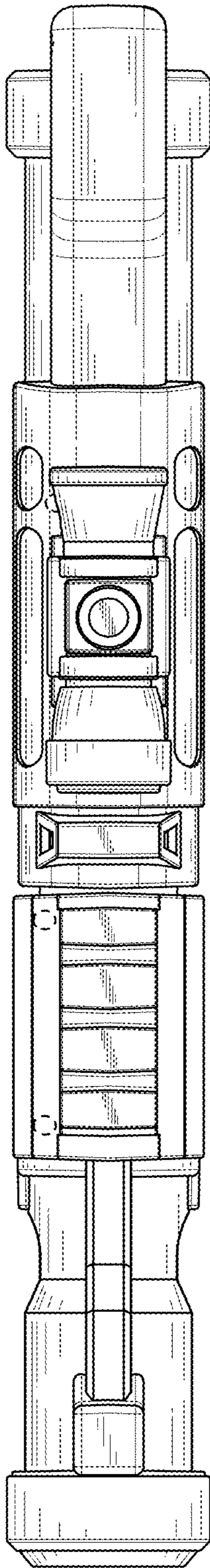


FIG. 8