



US00D948633S

(12) **United States Design Patent**
Kam

(10) **Patent No.:** **US D948,633 S**

(45) **Date of Patent:** **** Apr. 12, 2022**

(54) **TOY PROJECTILE LAUNCHER**

(71) Applicant: **Ao Jie Plastic Toys Factory Ltd.,**
Kwun Tong (HK)

(72) Inventor: **Chi Hang Kam,** Kwun Tong (HK)

(73) Assignee: **AO JIE Plastic Toys Factory Ltd.,**
Kwun Tong (HK)

(**) Term: **15 Years**

(21) Appl. No.: **29/706,410**

(22) Filed: **Sep. 19, 2019**

(51) **LOC (13) Cl.** **21-01**

(52) **U.S. Cl.**
USPC **D21/571; D21/567; D21/570**

(58) **Field of Classification Search**
USPC D21/566, 568, 567, 569, 570, 571, 436,
D21/441, 453, 454; D22/114, 107, 113,
D22/117
CPC F41B 11/00; F41B 11/14; F41B 11/642;
F41B 7/00; F41B 5/00; F41B 5/14; F41B
5/0094
See application file for complete search history.

(56) **References Cited**

U.S. PATENT DOCUMENTS

- 2,069,821 A 2/1937 Douglas
- 2,100,317 A * 11/1937 Hickman F41B 5/0015
124/23.1
- 2,214,224 A 9/1940 Douglas
- 4,086,901 A 5/1978 Clement
- D286,659 S * 11/1986 Chu D21/571
- D337,796 S * 7/1993 Sutyak D21/571
- 5,224,464 A * 7/1993 Burnham F41B 7/00
124/16
- 5,242,323 A * 9/1993 Rappaport F41B 11/642
124/63
- 5,830,029 A * 11/1998 Siegel A63H 33/28
446/15
- 6,267,108 B1 * 7/2001 McPherson F41B 5/105
124/25

- D659,203 S * 5/2012 Greiner D21/570
- D738,441 S * 9/2015 Cummings F41B 7/00
D21/571
- D738,442 S * 9/2015 Cummings D21/571
(Continued)

FOREIGN PATENT DOCUMENTS

- CN 304020558 * 2/2017
- CN 206198703 U * 5/2017 A63H 33/18
(Continued)

OTHER PUBLICATIONS

“Faux Bow Bow & Arrow,” customer review Oct. 25, 2017, amazon.com, site visited May 6, 2021, URL: https://www.amazon.com/Marky-Sparky-Faux-Bow-Archery/dp/B00ZL85BXM/ref=sr_1_9?crd=IV7GL0XIWZ0Z&dchild=1&keywords=toy%2Bcrossbow&qid=1620310856&sprefix=toy%2Bcross%2Caps%2C242&sr=8-9&th=1 (Year: 2017).*

(Continued)

Primary Examiner — Eric L Goodman
Assistant Examiner — Sarah L Smith
(74) *Attorney, Agent, or Firm* — LaMorte & Associates P.C.

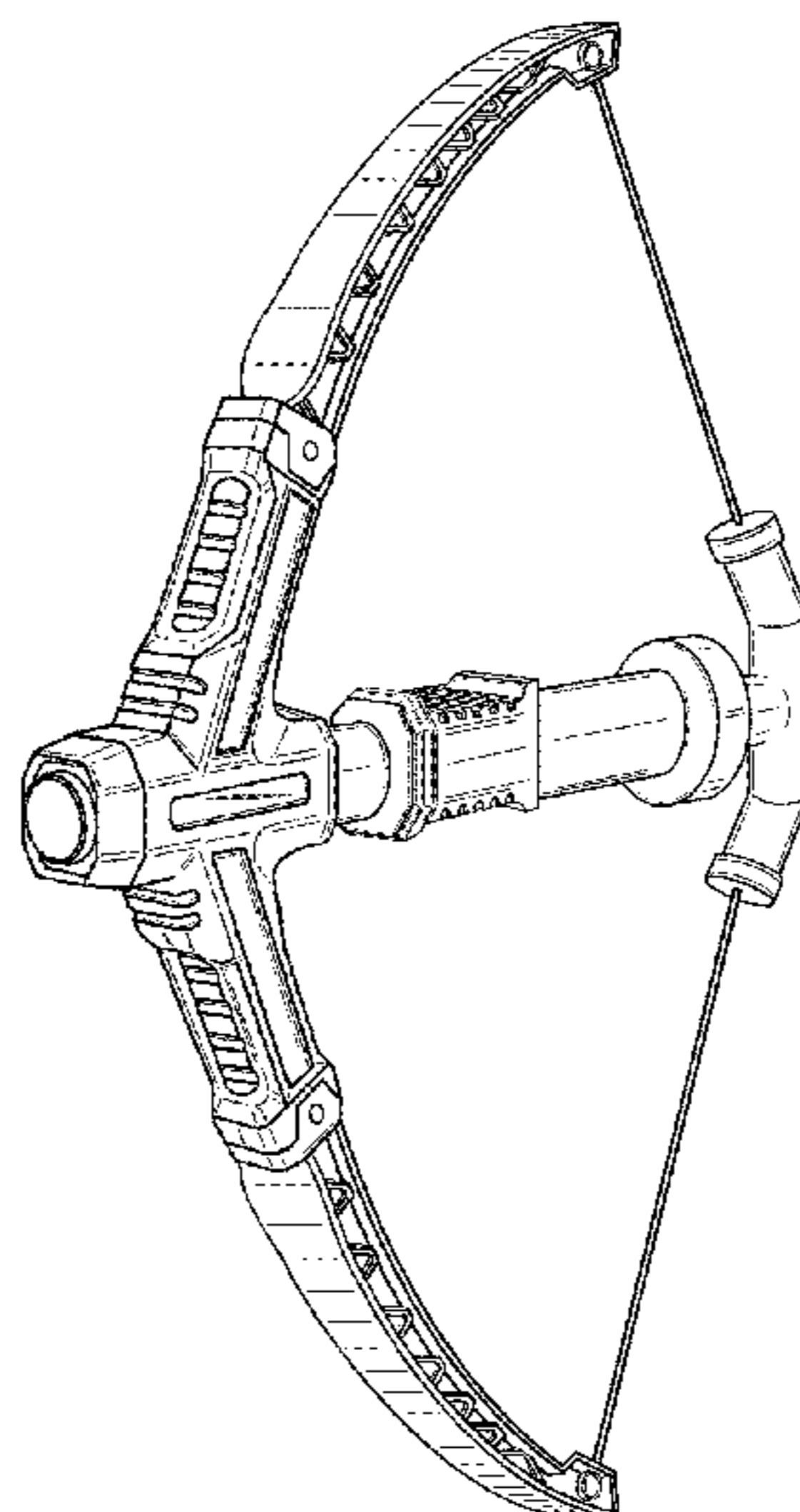
(57) **CLAIM**

The ornamental design for a toy projectile launcher, as shown and described.

DESCRIPTION

FIG. 1 is a front view of a toy projectile launcher; FIG. 2 is a rear view thereof; FIG. 3 is a left side view thereof; FIG. 4 is a right side view thereof; FIG. 5 is a top view thereof; FIG. 6 is a bottom view thereof; and, FIG. 7 is a perspective view thereof. Broken lines form no part of the claimed design.

1 Claim, 7 Drawing Sheets



(56)

References Cited

U.S. PATENT DOCUMENTS

D832,370 S 10/2018 Chen
D832,939 S 11/2018 Chen
10,928,154 B1* 2/2021 Kam F41B 11/646
2009/0050128 A1 2/2009 Mitchell
2016/0018175 A1* 1/2016 Lallier F41B 5/12
124/25.6

FOREIGN PATENT DOCUMENTS

CN 304438536 * 1/2018
GB 2031927 * 2/1994
GB 2037007 * 8/1994

OTHER PUBLICATIONS

“Zebra Bow and Mallow,” Oct. 10, 2018, amazon.com/au, site visited May 6, 2021, URL: https://www.amazon.com.au/Zebra-Bow-Mallow-Bag-Marshmallows/dp/B07J5MK9X9/ref=sr_1_62?dchild=1&keywords=toy+crossbow&qid=1620311275&sr=8-62 (Year: 2018).*
“ArtCreativity Red Super Bow and Arrow Shooter Set,” customer review Jul. 10, 2019, amazon.com, site visited May 6, 2021, URL: https://www.amazon.ca/ArtCreativity-Red-Super-Arrow-Shooter/dp/B07F9562TW/ref=sr_1_12?dchild=1&keywords=toy%2Barchery%2Bset&qid=1620311842&sr=8-12&th=1 (Year: 2019).*

* cited by examiner

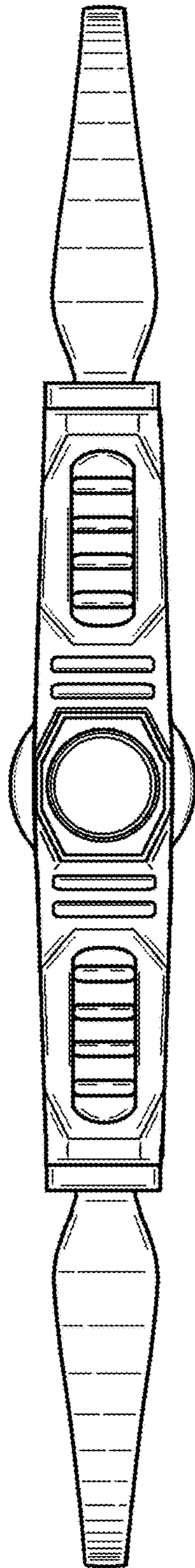


FIG. 1

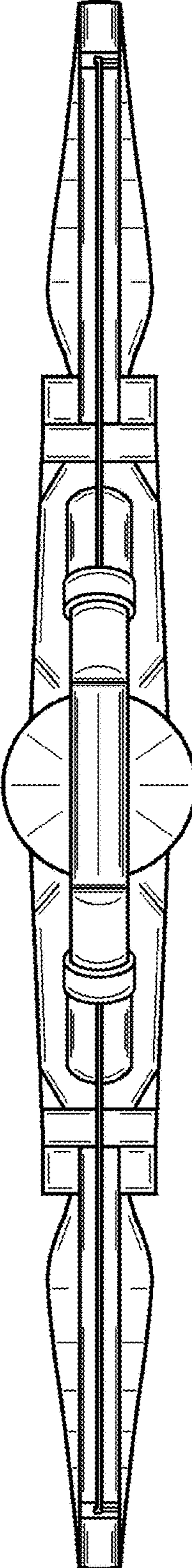


FIG. 2

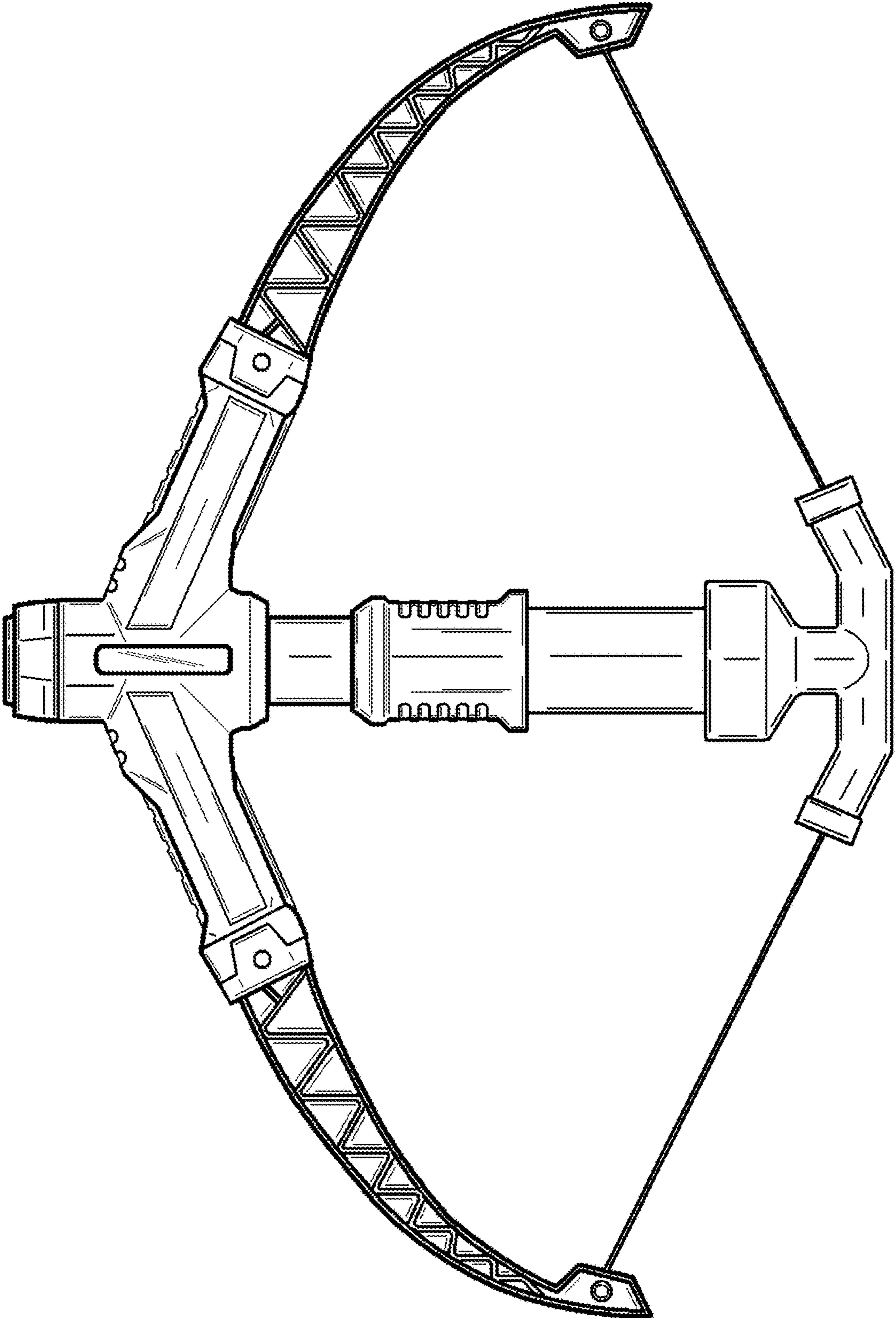


FIG. 3

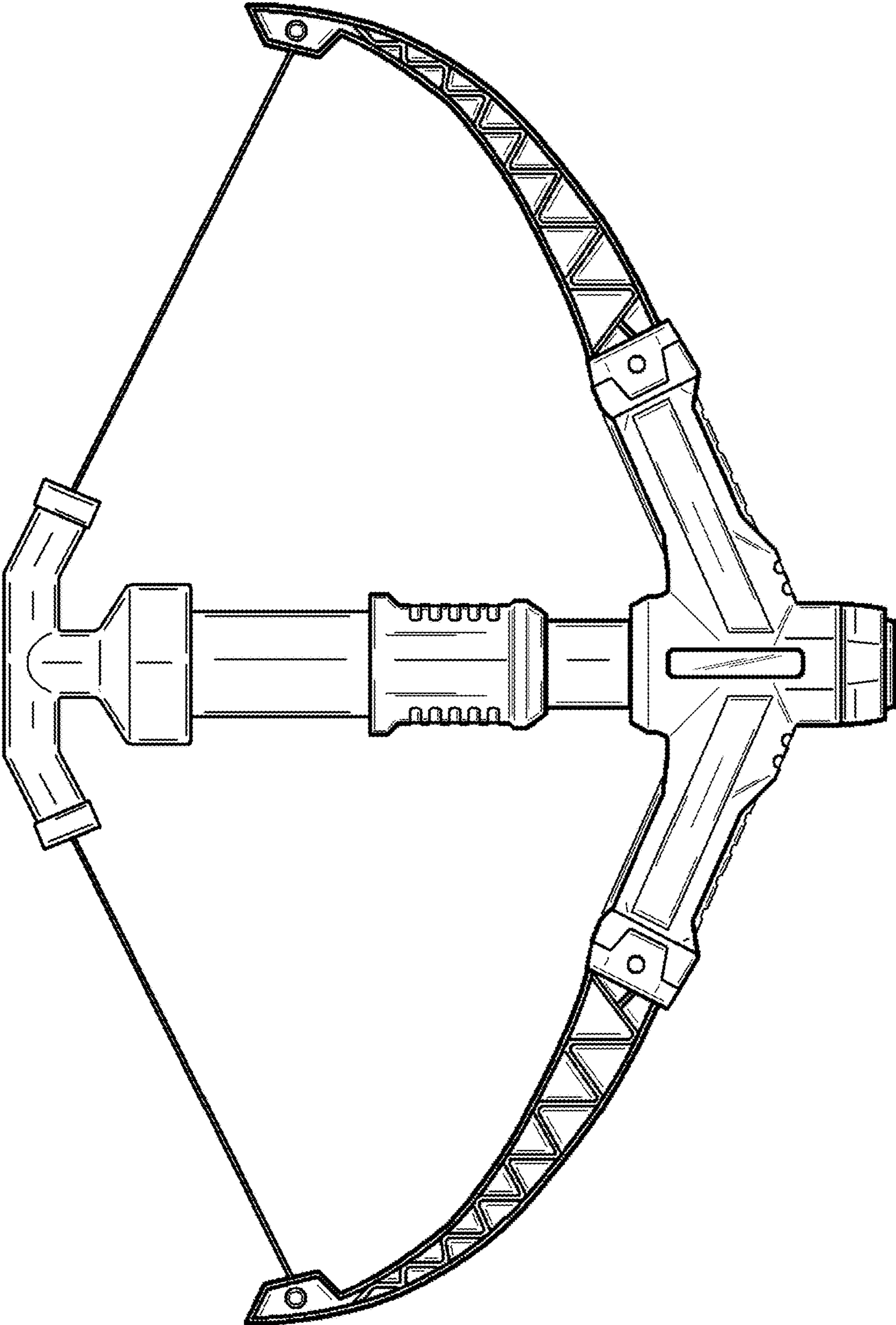


FIG. 4

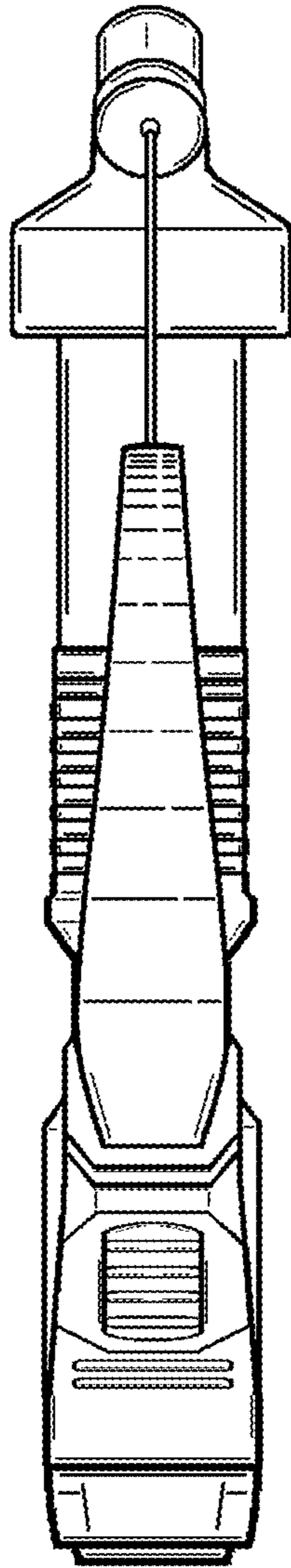


FIG. 5

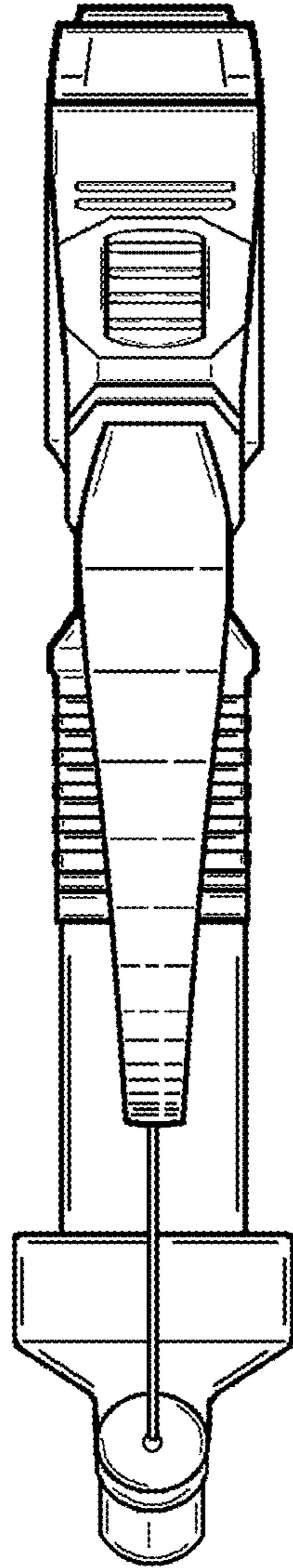


FIG. 6

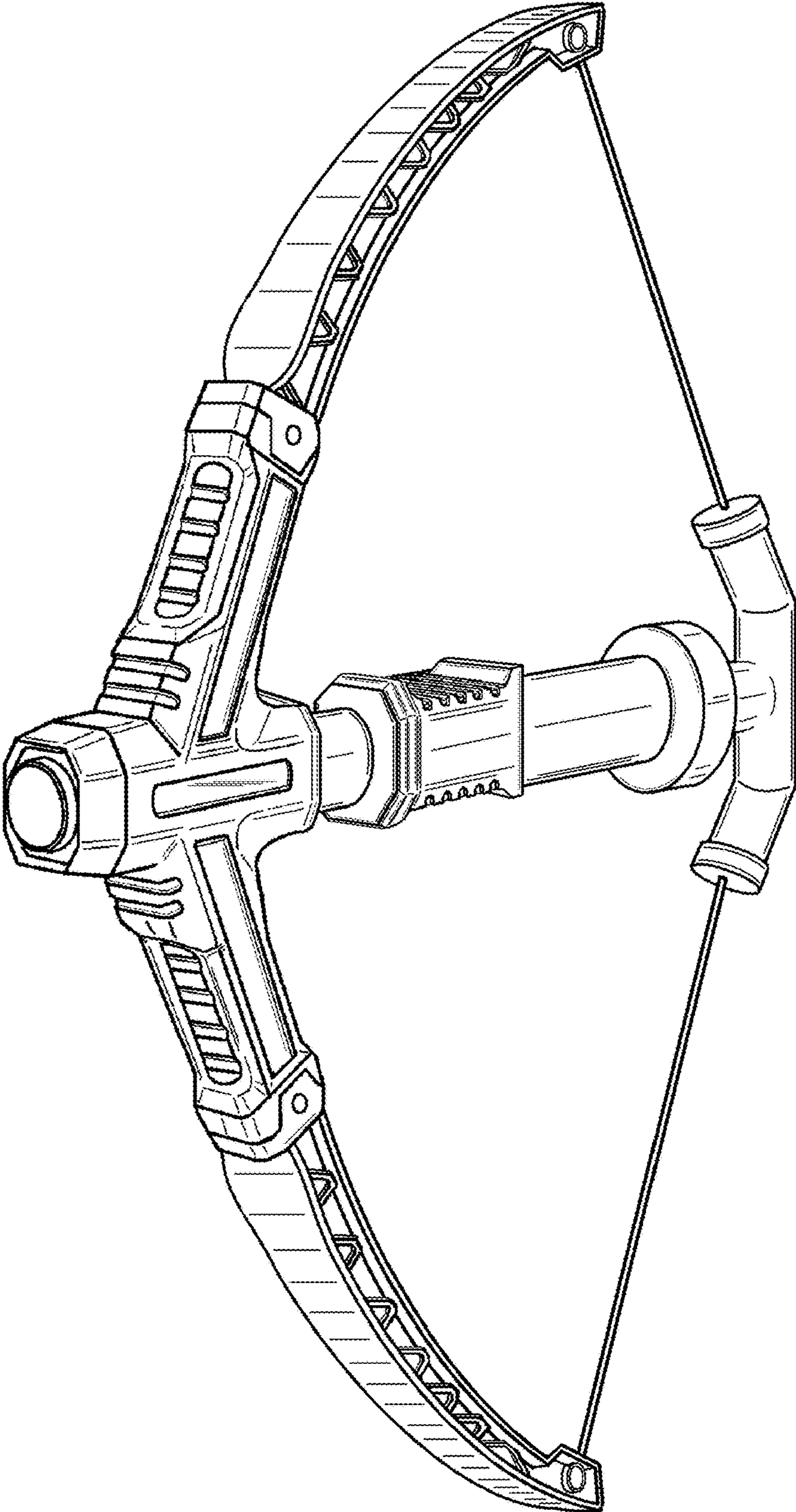


FIG. 7