



US00D948632S

(12) **United States Design Patent** (10) **Patent No.:** **US D948,632 S**  
**Talios et al.** (45) **Date of Patent:** **\*\* Apr. 12, 2022**

(54) **FOOD TRUCK RIDE-ON TOY**

- (71) Applicant: **Dynacraft BSC, Inc.**, Savannah, GA (US)
- (72) Inventors: **William Talios**, Petaluma, CA (US); **John Bisges**, Buford, GA (US); **David Castrucci**, Napa, CA (US)
- (73) Assignee: **Dynacraft BSC, Inc.**, Port Wentworth, GA (US)
- (\*\*) Term: **15 Years**
- (21) Appl. No.: **29/685,863**
- (22) Filed: **Apr. 1, 2019**

**Related U.S. Application Data**

- (62) Division of application No. 29/629,527, filed on Dec. 13, 2017, now Pat. No. Des. 861,082.
- (51) **LOC (13) Cl.** ..... **21-01**
- (52) **U.S. Cl.**  
USPC ..... **D21/552**
- (58) **Field of Classification Search**  
USPC ..... D21/433-434, 552, 833; D12/84, 93  
CPC ..... B62D 25/00; B62D 25/06; B62D 33/00;  
B62D 35/00  
See application file for complete search history.

(56) **References Cited**

**U.S. PATENT DOCUMENTS**

- 4,015,875 A 4/1977 Setina
- 4,055,250 A \* 10/1977 Mayhew ..... B65D 81/368  
206/457
- D259,730 S \* 6/1981 Arad ..... D21/434
- D279,589 S \* 7/1985 Marshall ..... D21/434
- D280,115 S \* 8/1985 Takeuchi ..... D21/558
- 4,639,646 A \* 1/1987 Harris ..... B60L 50/52  
318/13
- D295,772 S \* 5/1988 Kwan ..... D21/552
- D305,555 S \* 1/1990 Spielberg ..... D21/554

(Continued)

**OTHER PUBLICATIONS**

KidKraft 10084 Wondervan, Feb. 7, 2020, amazon.com Nov. 18, 2021, URL: <https://www.amazon.com/KidKraft-10084-Wondervan/dp/B084KZ7WTM/> (Year: 2020).\*  
(Continued)

*Primary Examiner* — Jack Reickel  
*Assistant Examiner* — Keith J Wilson  
(74) *Attorney, Agent, or Firm* — Michael Best & Friedrich LLP

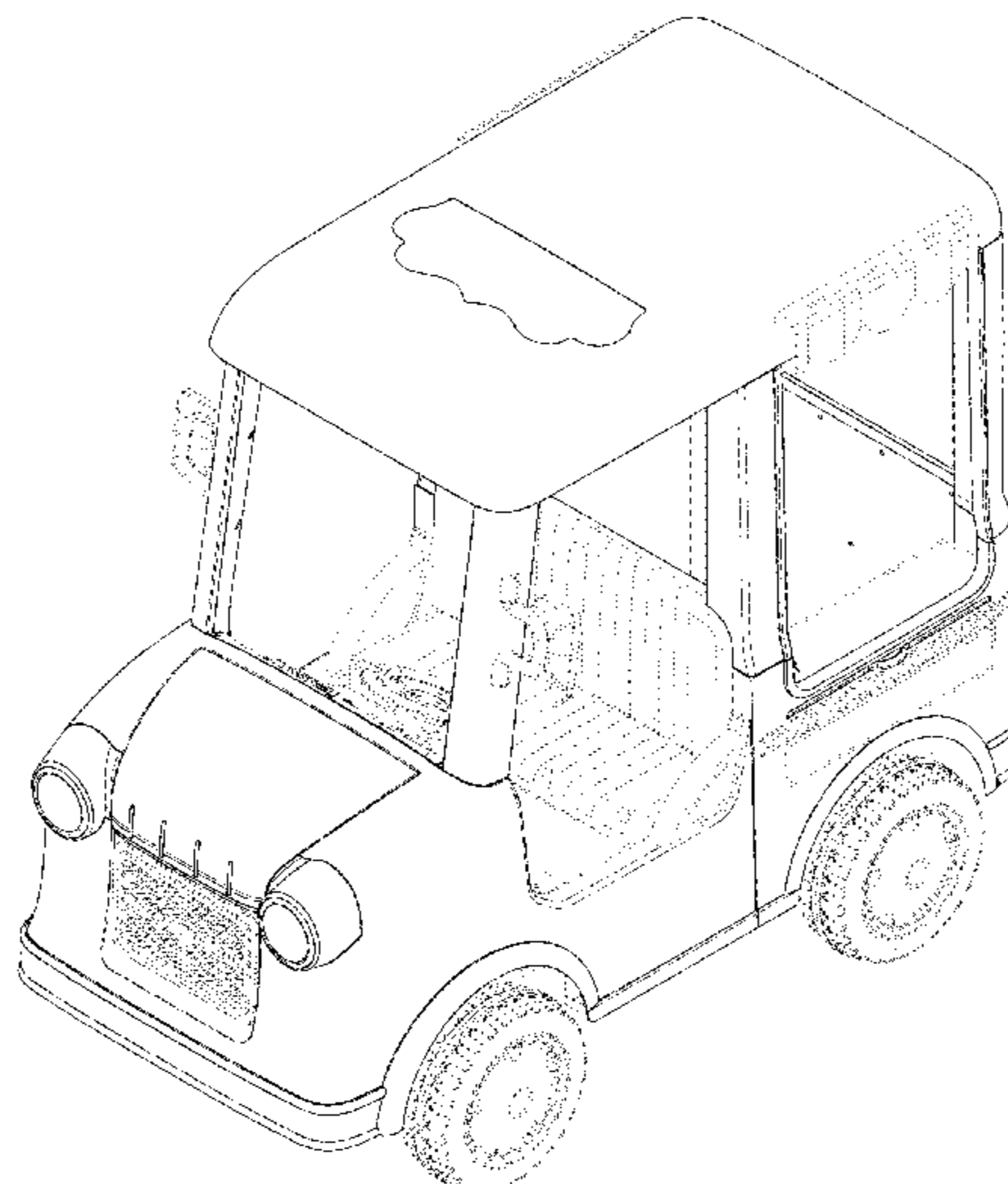
(57) **CLAIM**

The ornamental design for a food truck ride-on toy, as shown and described.

**DESCRIPTION**

FIG. 1 is a front perspective view of a first embodiment of the design;  
FIG. 2 is a rear perspective view of FIG. 1;  
FIG. 3 is a front plan view of FIG. 1;  
FIG. 4 is a rear plan view of FIG. 1;  
FIG. 5 is a left side plan view of FIG. 1;  
FIG. 6 is a right side plan view of FIG. 1;  
FIG. 7 is a top elevational view of FIG. 1;  
FIG. 8 is a front perspective view of the first embodiment of the design with moveable components shown in the extended position;  
FIG. 9 is a rear perspective view of FIG. 8;  
FIG. 10 is a front plan view of FIG. 8;  
FIG. 11 is a rear plan view of FIG. 8;  
FIG. 12 is a left side plan view of FIG. 8;  
FIG. 13 is a right side plan view of FIG. 8; and,  
FIG. 14 is a top elevational view of FIG. 8.  
The broken lines illustrate portions of the food truck ride-on that form no part of the claimed design.

**1 Claim, 14 Drawing Sheets**



(56)

References Cited

U.S. PATENT DOCUMENTS

5,229,703 A \* 7/1993 Harris ..... H02J 7/0031  
320/10  
D352,075 S \* 11/1994 Washington ..... D21/434  
5,439,071 A \* 8/1995 Rodriguez-Ferre .... A63G 25/00  
180/16  
D366,071 S \* 1/1996 Harrod ..... D21/431  
D382,922 S \* 8/1997 Dirden ..... D21/552  
5,845,724 A \* 12/1998 Barrett ..... A63H 17/38  
180/65  
5,859,509 A \* 1/1999 Bienz ..... B62K 9/00  
180/33  
5,934,727 A 8/1999 Storc et al.  
6,039,626 A \* 3/2000 Gerold ..... A63H 17/262  
446/175  
D445,465 S \* 7/2001 Ma ..... D21/552  
D445,466 S \* 7/2001 Ma ..... D21/552  
6,276,751 B1 8/2001 Ikarashi et al.  
6,349,786 B1 \* 2/2002 Gift ..... A63G 25/00  
180/27  
6,416,104 B1 7/2002 Fisher et al.  
6,478,355 B1 11/2002 Van Eden et al.  
6,771,034 B2 \* 8/2004 Reile ..... A63G 25/00  
318/13  
6,786,535 B1 9/2004 Grzegorzewski et al.  
7,243,746 B1 7/2007 Vasant  
D550,787 S \* 9/2007 Stewart ..... D21/552  
D569,449 S \* 5/2008 Chung ..... D21/431  
7,566,094 B2 7/2009 Polewarczyk et al.  
D601,207 S \* 9/2009 Chung ..... D21/434  
7,726,688 B2 6/2010 Setina  
7,735,896 B2 6/2010 Kubota  
8,136,857 B2 3/2012 Shimizu et al.  
D673,624 S \* 1/2013 Kasahara ..... D21/434  
8,708,388 B2 4/2014 Setina  
D710,460 S \* 8/2014 Hattori ..... D21/552  
D714,880 S \* 10/2014 Hattori ..... D21/551  
D730,864 S \* 6/2015 Stewart ..... D14/168  
D760,325 S \* 6/2016 Sano ..... D21/552  
9,771,017 B1 \* 9/2017 Talios ..... B62J 6/001  
D852,901 S \* 7/2019 Matsuyama ..... D21/552  
D861,082 S \* 9/2019 Talios ..... D21/552  
D872,812 S \* 1/2020 Chen ..... D21/552  
D875,185 S \* 2/2020 Zeng ..... D21/552

D888,164 S \* 6/2020 Hu ..... D21/552  
D923,518 S \* 6/2021 Lian ..... D12/93  
D924,726 S \* 7/2021 Kentley-Klay ..... D12/84  
D924,727 S \* 7/2021 Kentley-Klay ..... D12/84  
D926,084 S \* 7/2021 Borden ..... D12/93  
D926,085 S \* 7/2021 von Holzhausen ..... D12/93  
D928,244 S \* 8/2021 Bao ..... D21/552  
11,077,384 B2 \* 8/2021 Talios ..... A63H 29/22  
D931,949 S \* 9/2021 Chen ..... D21/552  
D931,950 S \* 9/2021 Chen ..... D21/556  
D932,563 S \* 10/2021 Chen ..... D21/552  
D932,566 S \* 10/2021 Chen ..... D21/556  
D933,532 S \* 10/2021 Kupitza ..... D12/93  
2002/0142702 A1 10/2002 Kim et al.  
2005/0202752 A1 \* 9/2005 Bryner ..... A63G 25/00  
446/46  
2006/0170236 A1 8/2006 Porter, II et al.  
2006/0175101 A1 8/2006 Drosendahl et al.  
2009/0039675 A1 2/2009 King et al.  
2010/0059968 A1 3/2010 Asbach et al.  
2011/0012548 A1 \* 1/2011 Wilcox ..... B60L 3/04  
318/46  
2014/0097634 A1 4/2014 Jones et al.  
2016/0045835 A1 2/2016 Choi  
2017/0088157 A1 3/2017 Young et al.  
2017/0115009 A1 \* 4/2017 Ramphos ..... F24C 15/2042  
2019/0176710 A1 6/2019 Loveday et al.

OTHER PUBLICATIONS

Li'l Woodzeez Food Truck—Honeysuckle Sweets & Treats, Nov. 27, 2019, amazon.com, Nov. 18, 2021, URL: <https://www.amazon.com/Lil-Woodzeez-Honeysuckle-Treats-Truck/dp/B017VQMXB4> (Year: 2019).\*  
Marvel Deadpool & Taco Truck Die-cast Car, Feb. 28, 2019, amazon.com, Nov. 18, 2021, URL: <https://www.amazon.com/Marvel-Deadpool-Taco-Truck-Die-Cast/dp/B07FYW1GRX> (Year: 2019).\*  
Instructables, “Power Wheels Mods—Master Kill Switch and Charging,” <<http://www.instructables.com/id/Power-Wheels-Mods-Master-Kill-Switch-and-Charging/>> webpage available at least as early as Aug. 22, 2015.\*  
Modified Power Wheels, “FAQ—Remote kill switches, and key switches,” <[http://www.modifiedpowerwheels.com/forum/topic.asp?TOPIC\\_ID=4821](http://www.modifiedpowerwheels.com/forum/topic.asp?TOPIC_ID=4821)> webpage available at least as early as Jun. 20, 2009.\*

\* cited by examiner

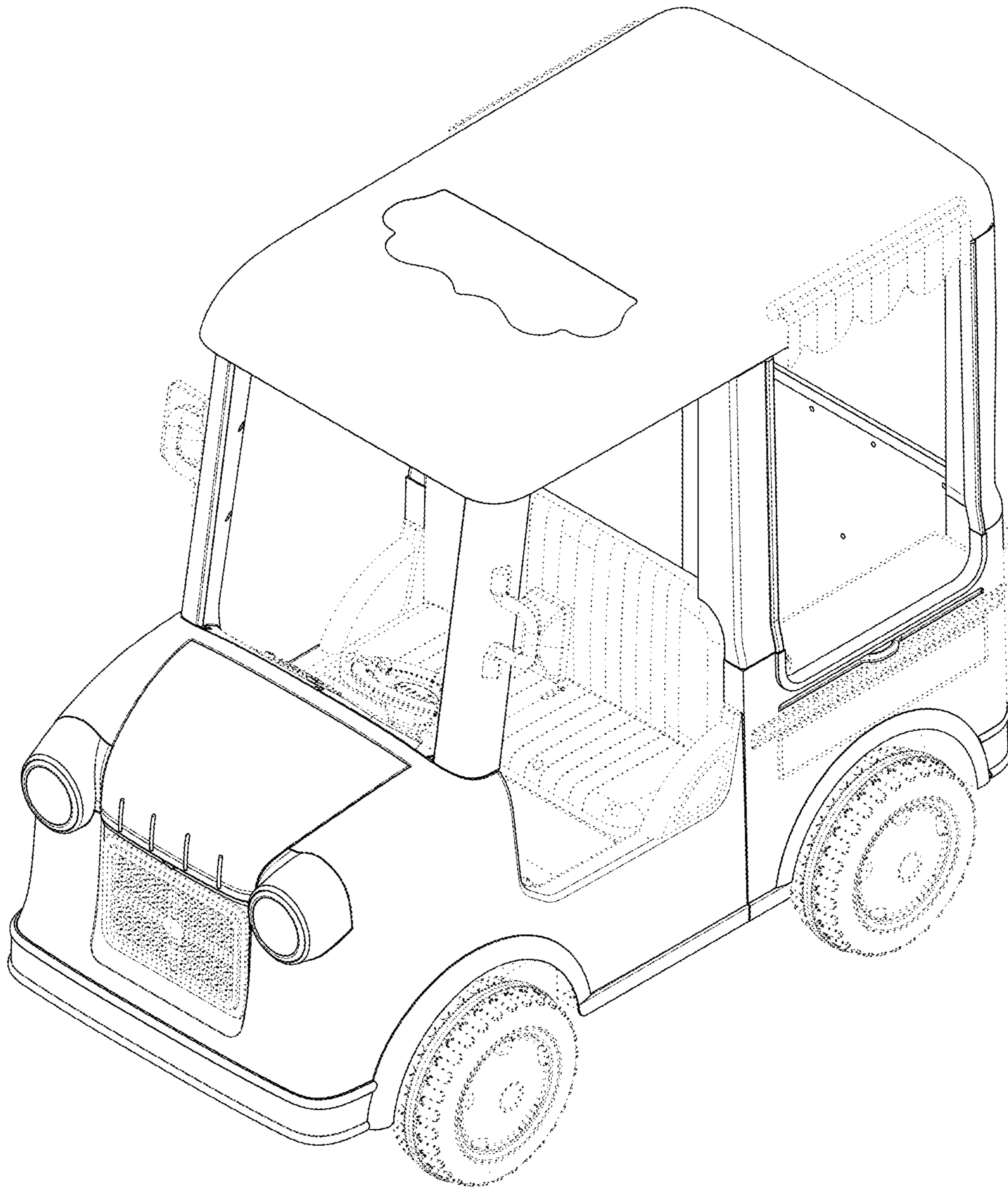


FIG. 1

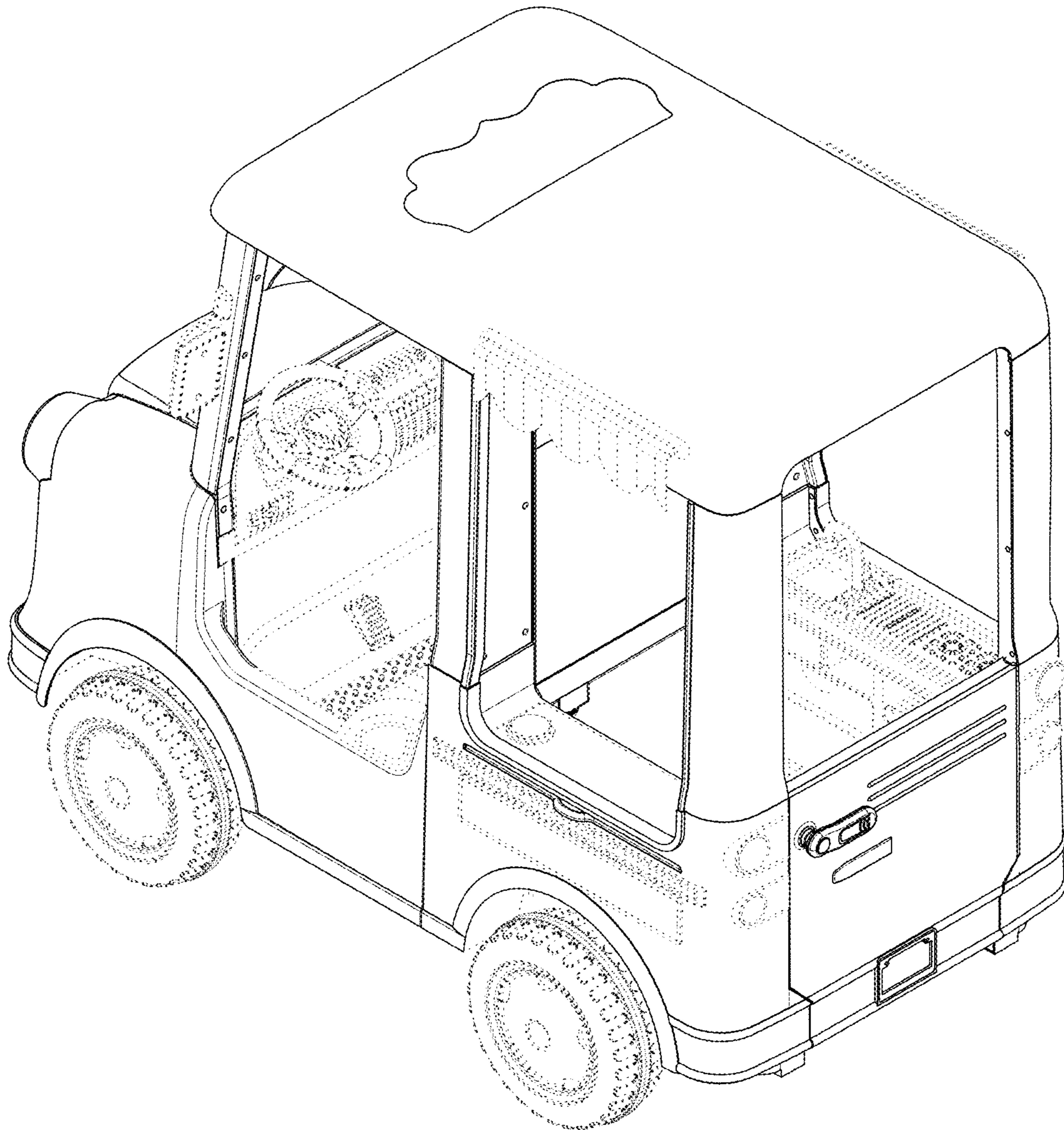


FIG. 2

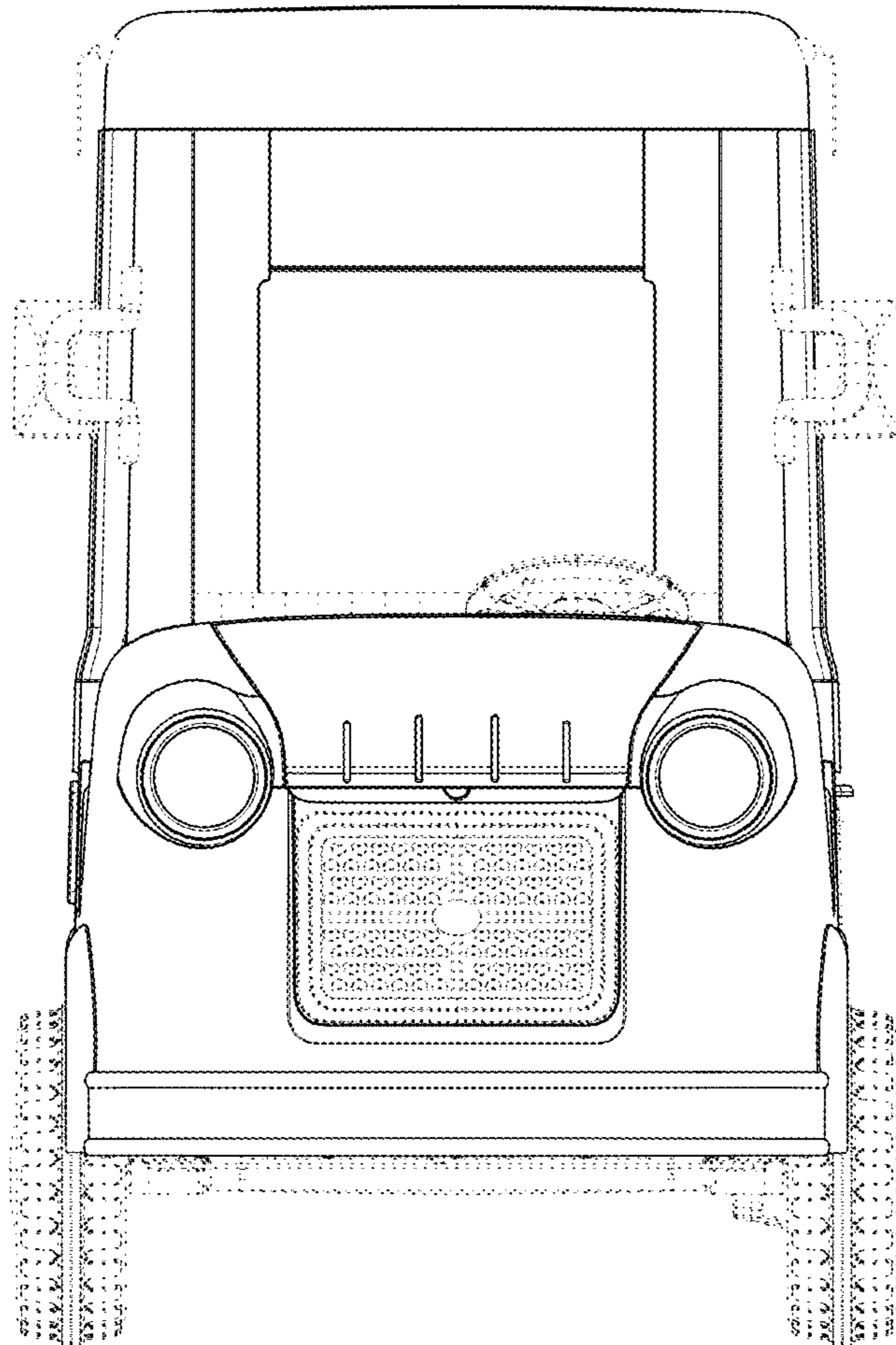


FIG. 3

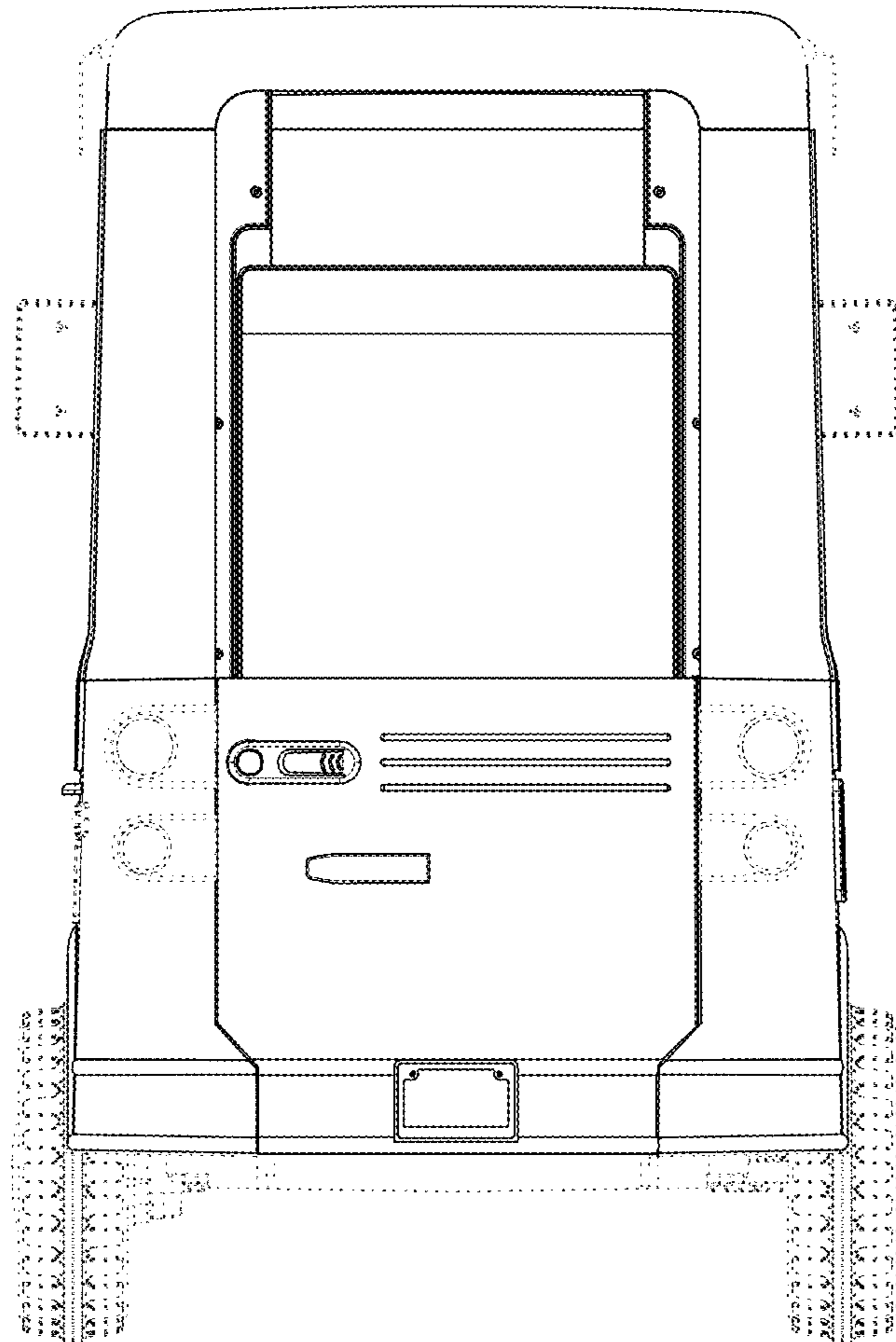


FIG. 4

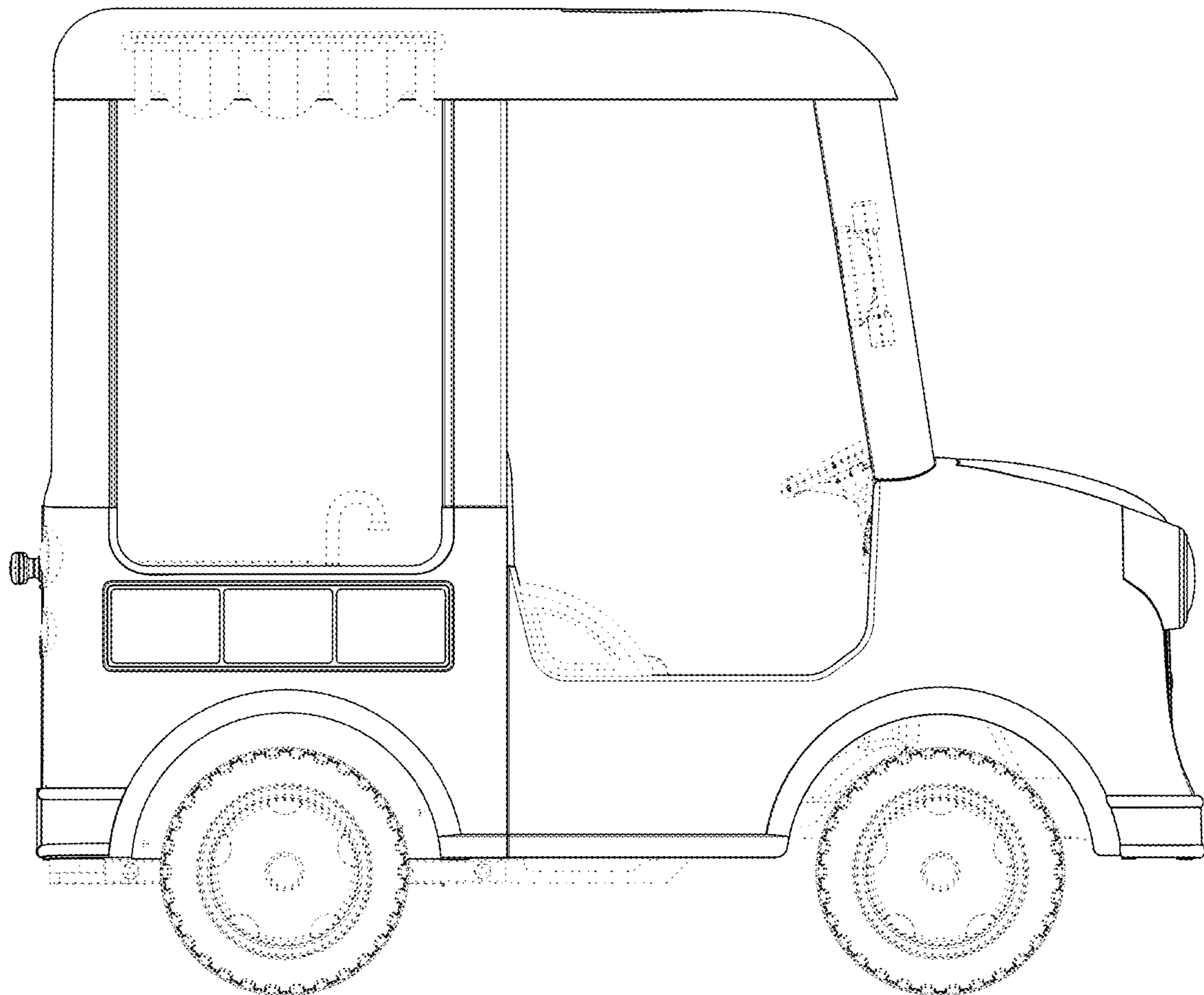


FIG. 5

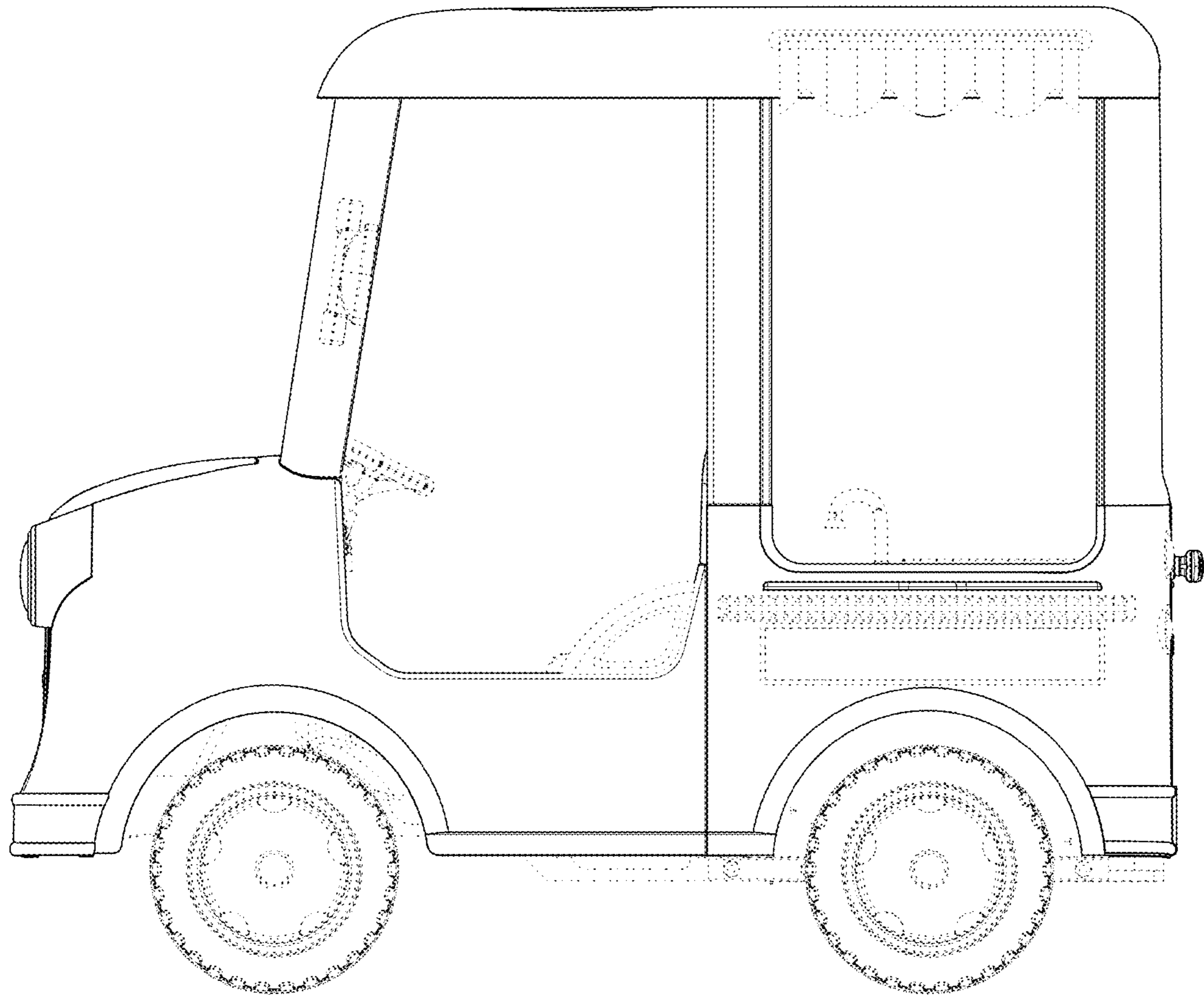


FIG. 6



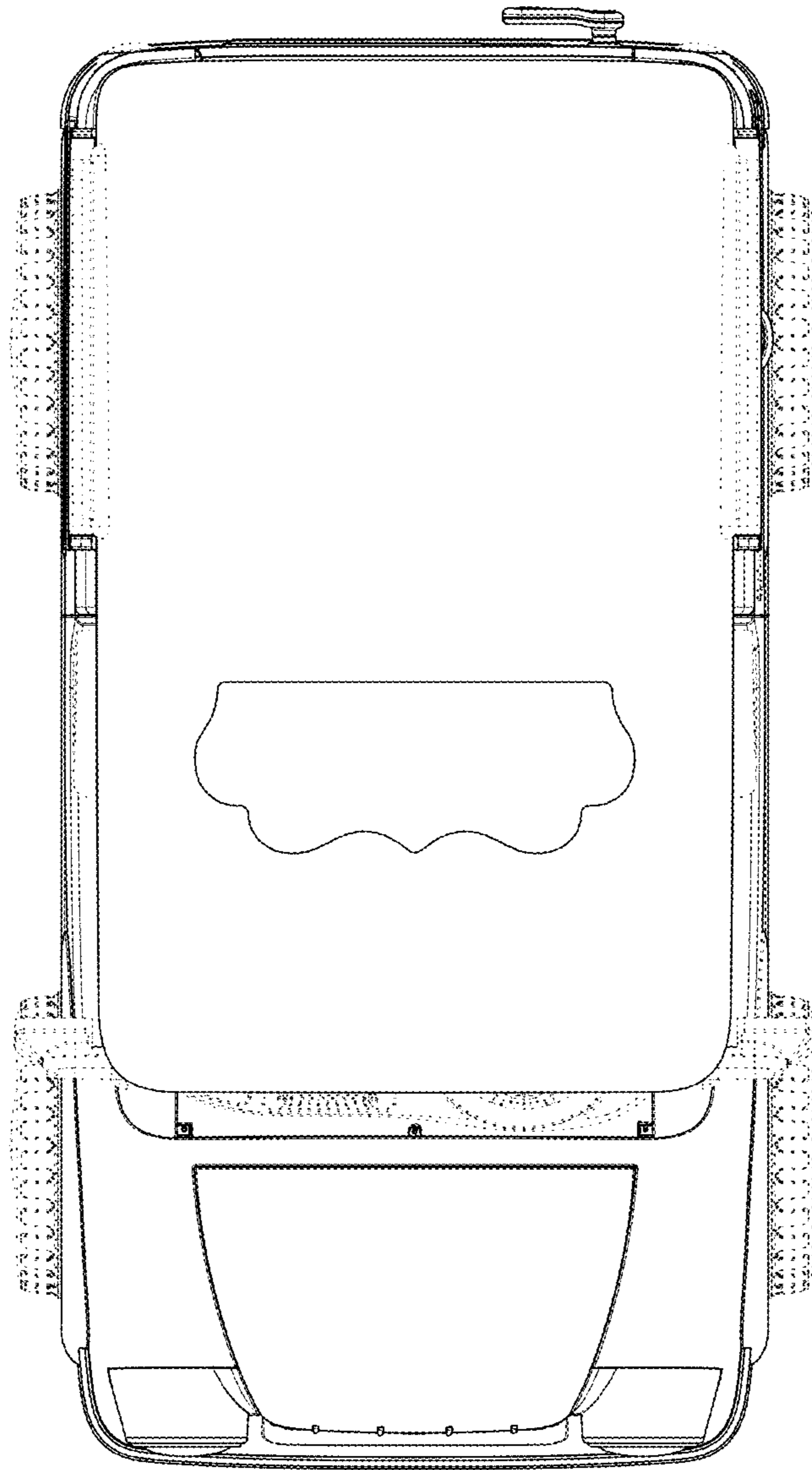


FIG. 7

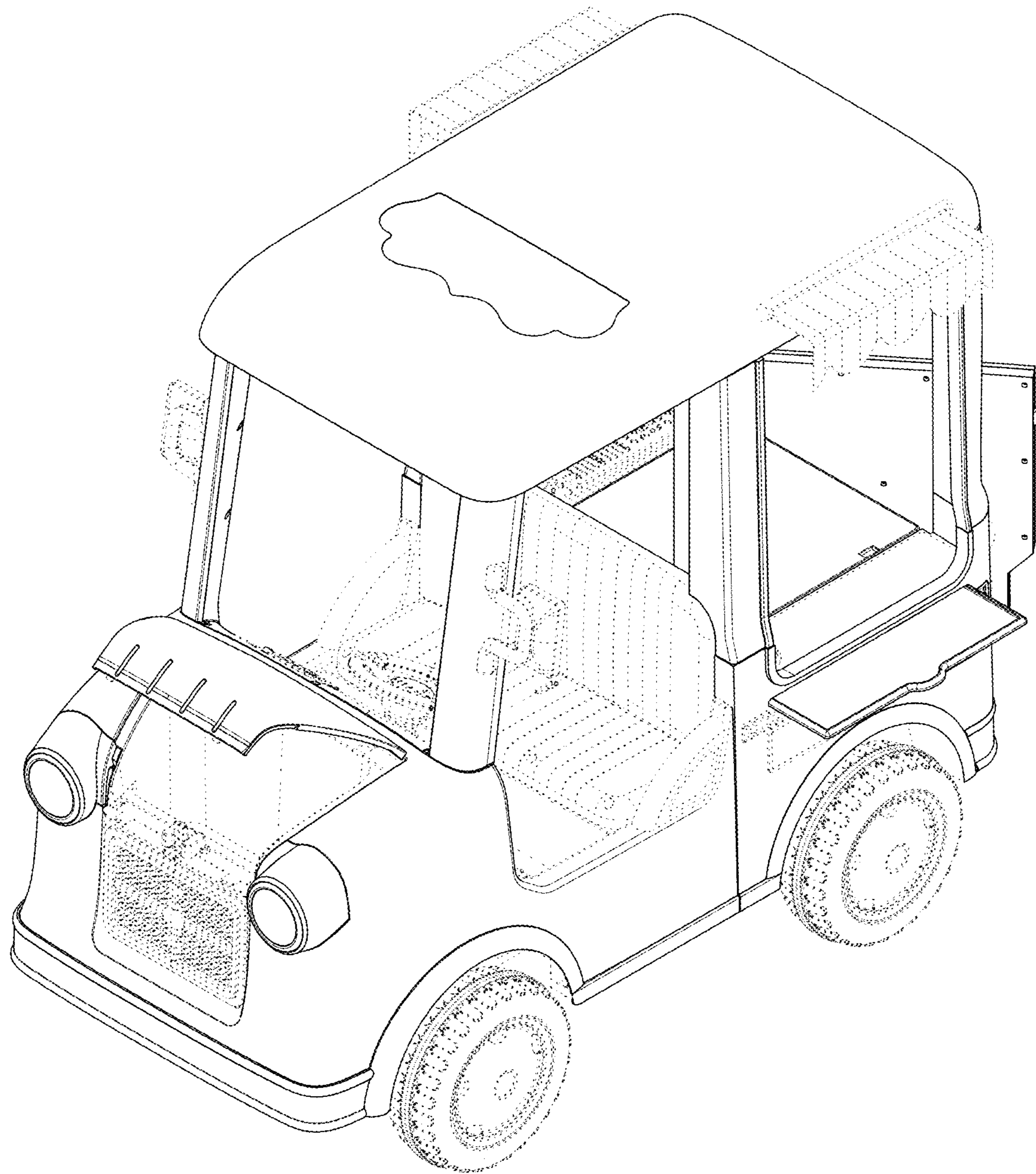


FIG. 8

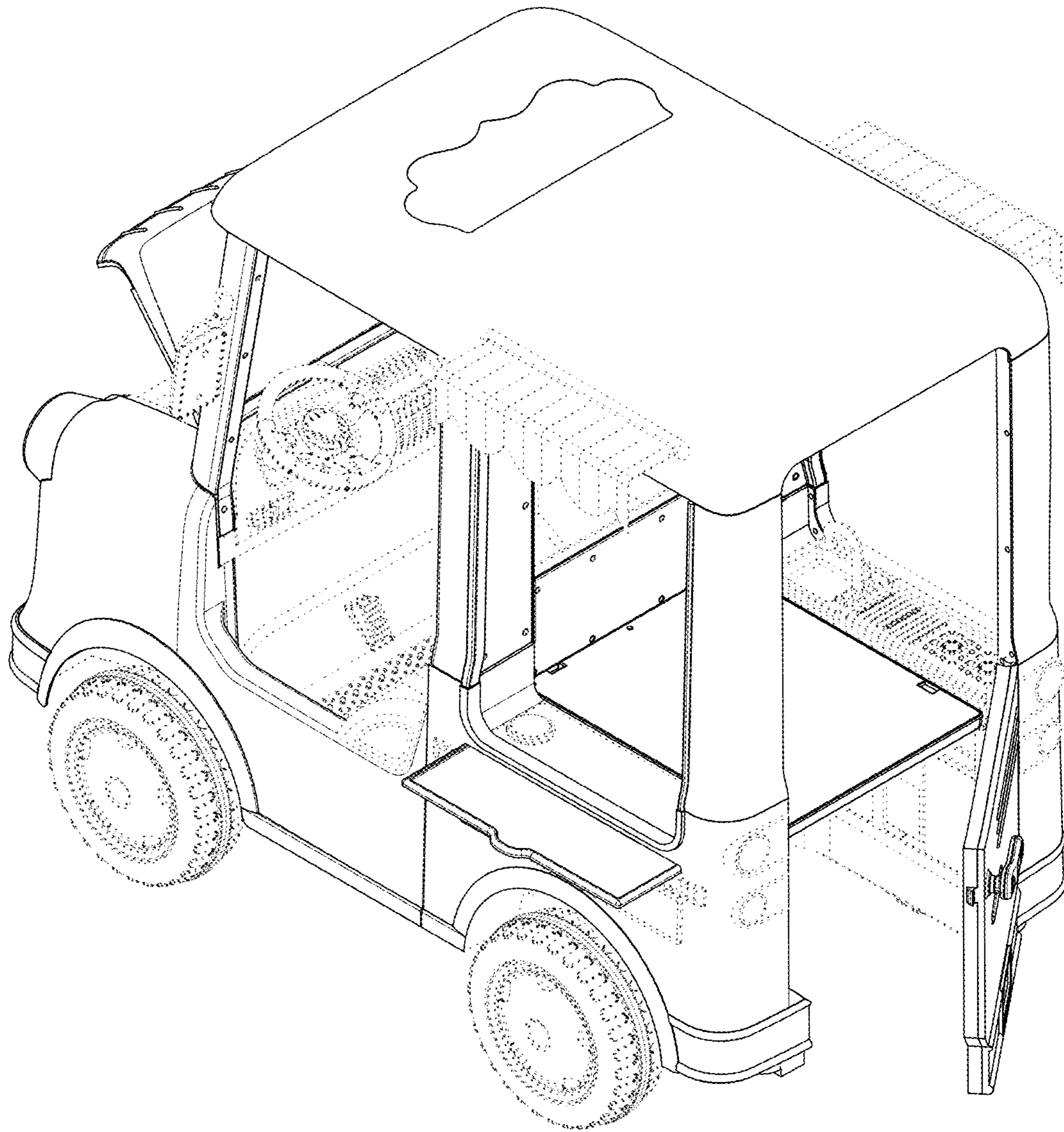


FIG. 9

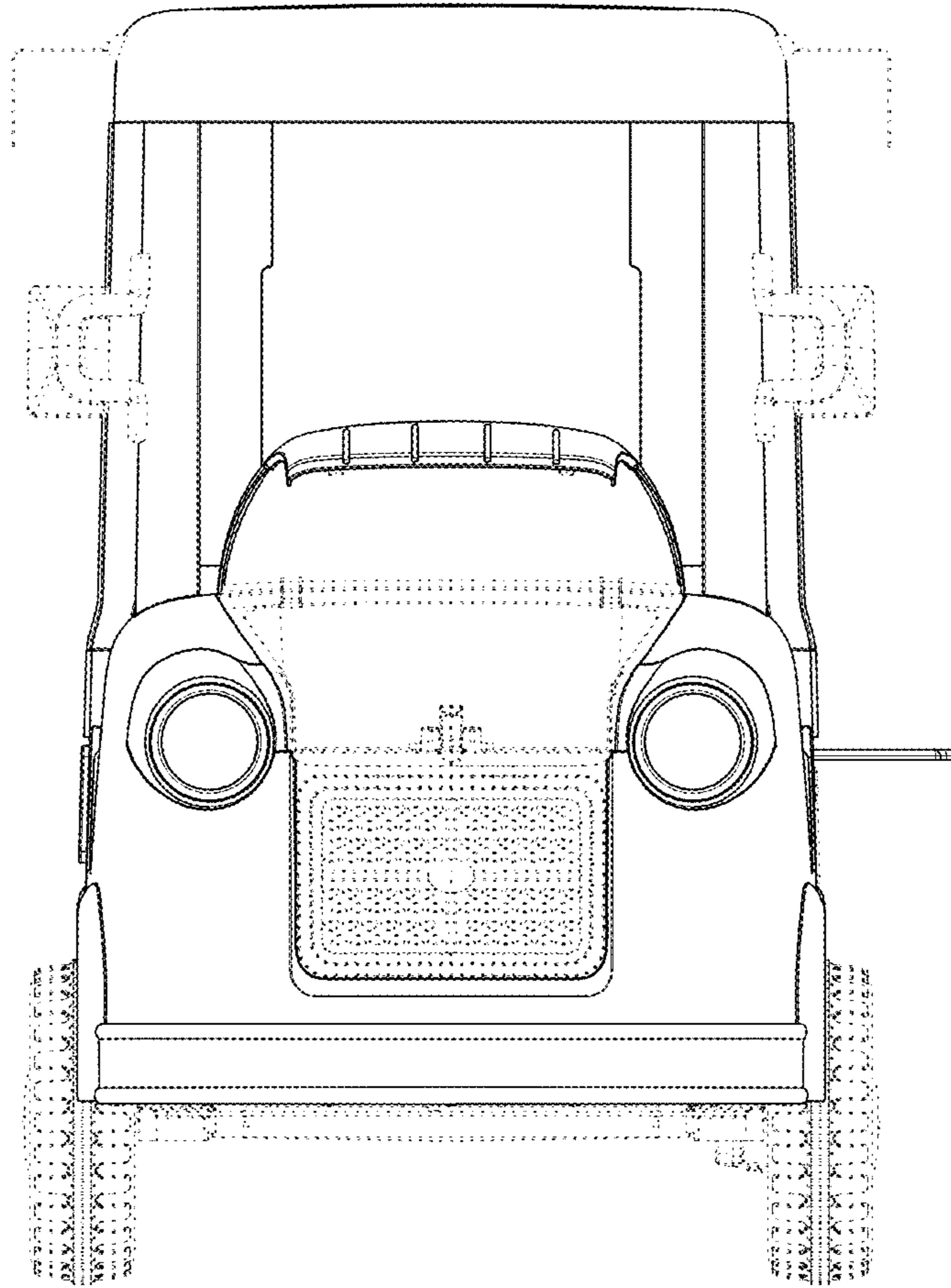


FIG. 10

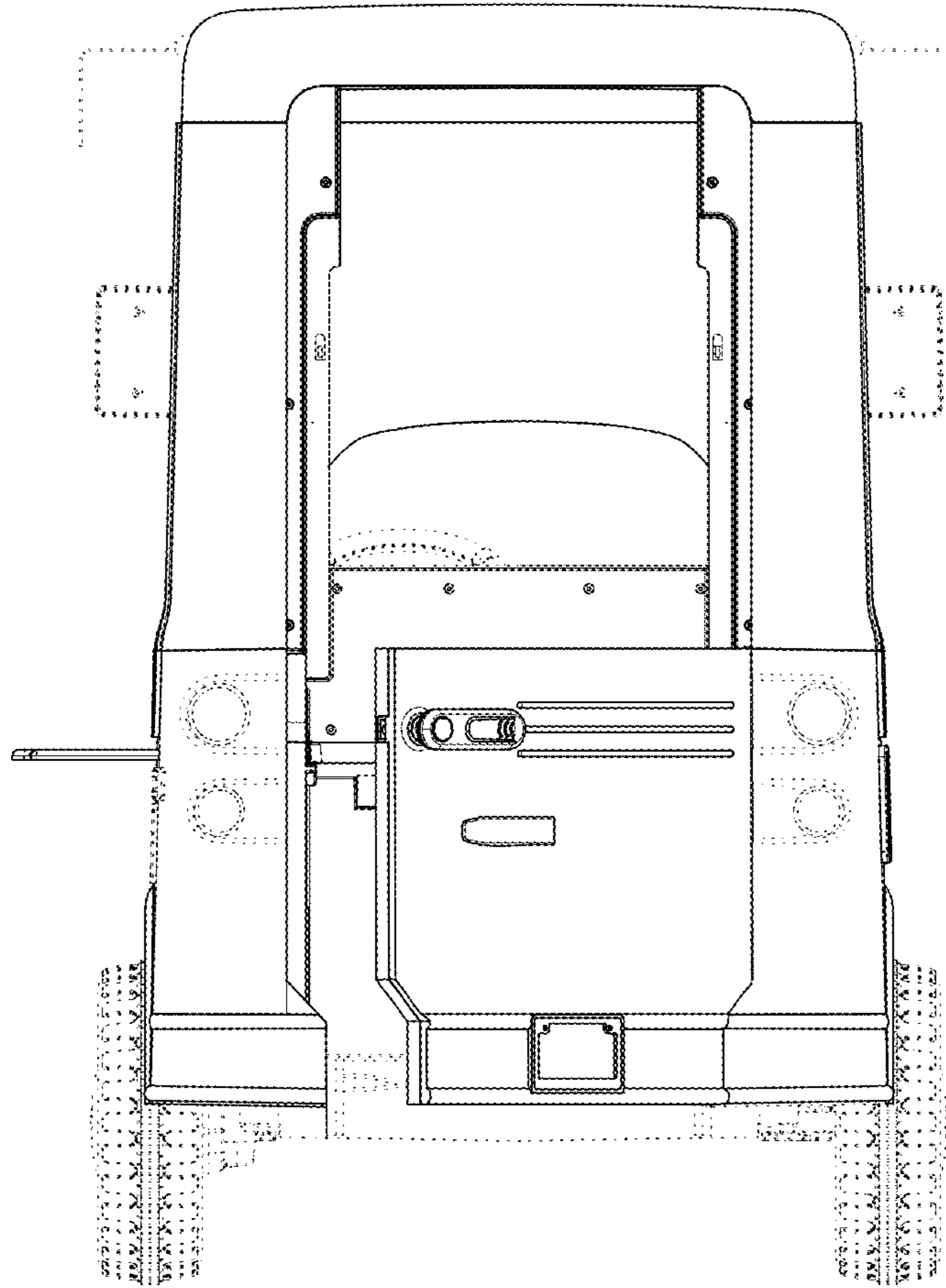


FIG. 11

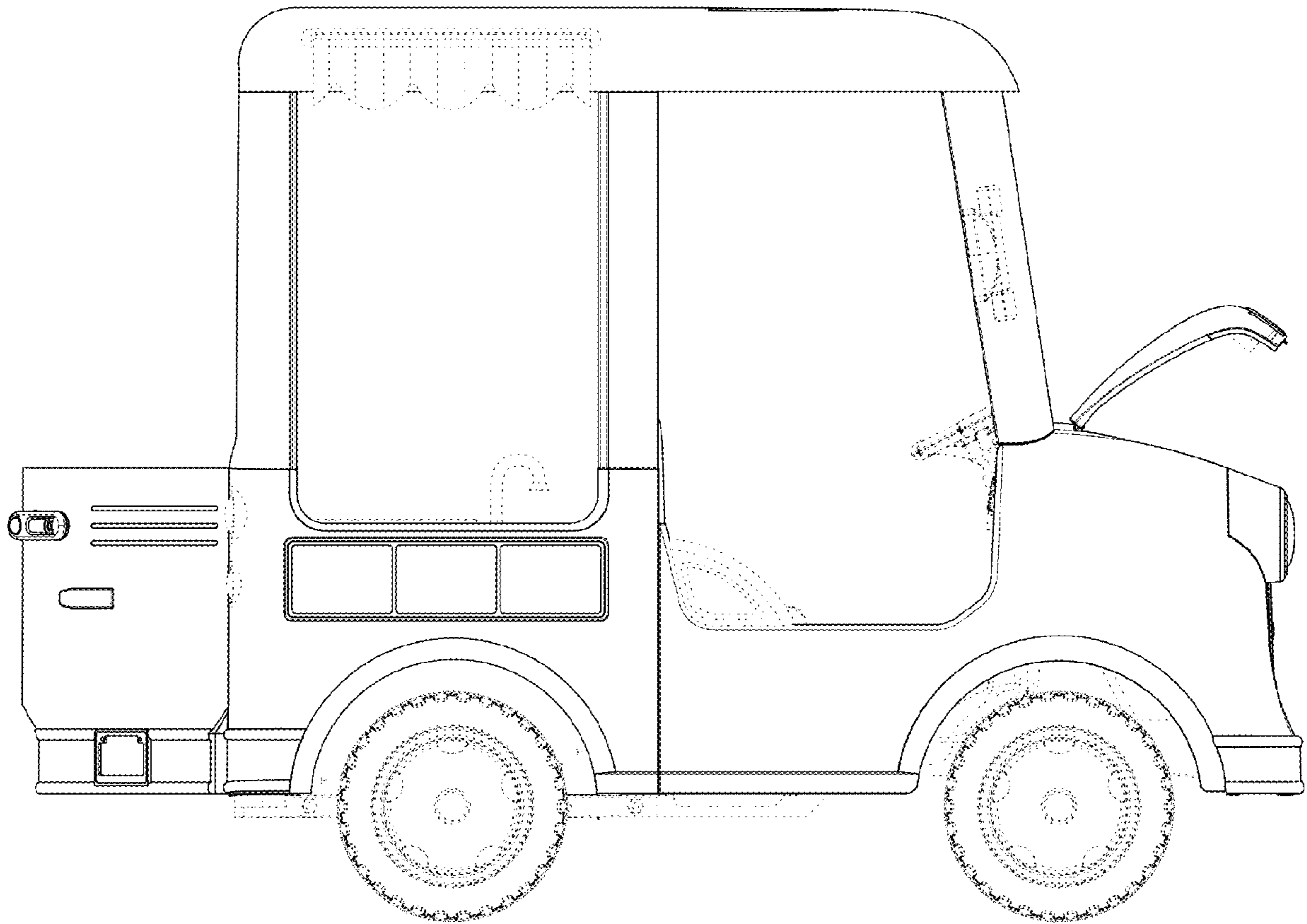


FIG. 12

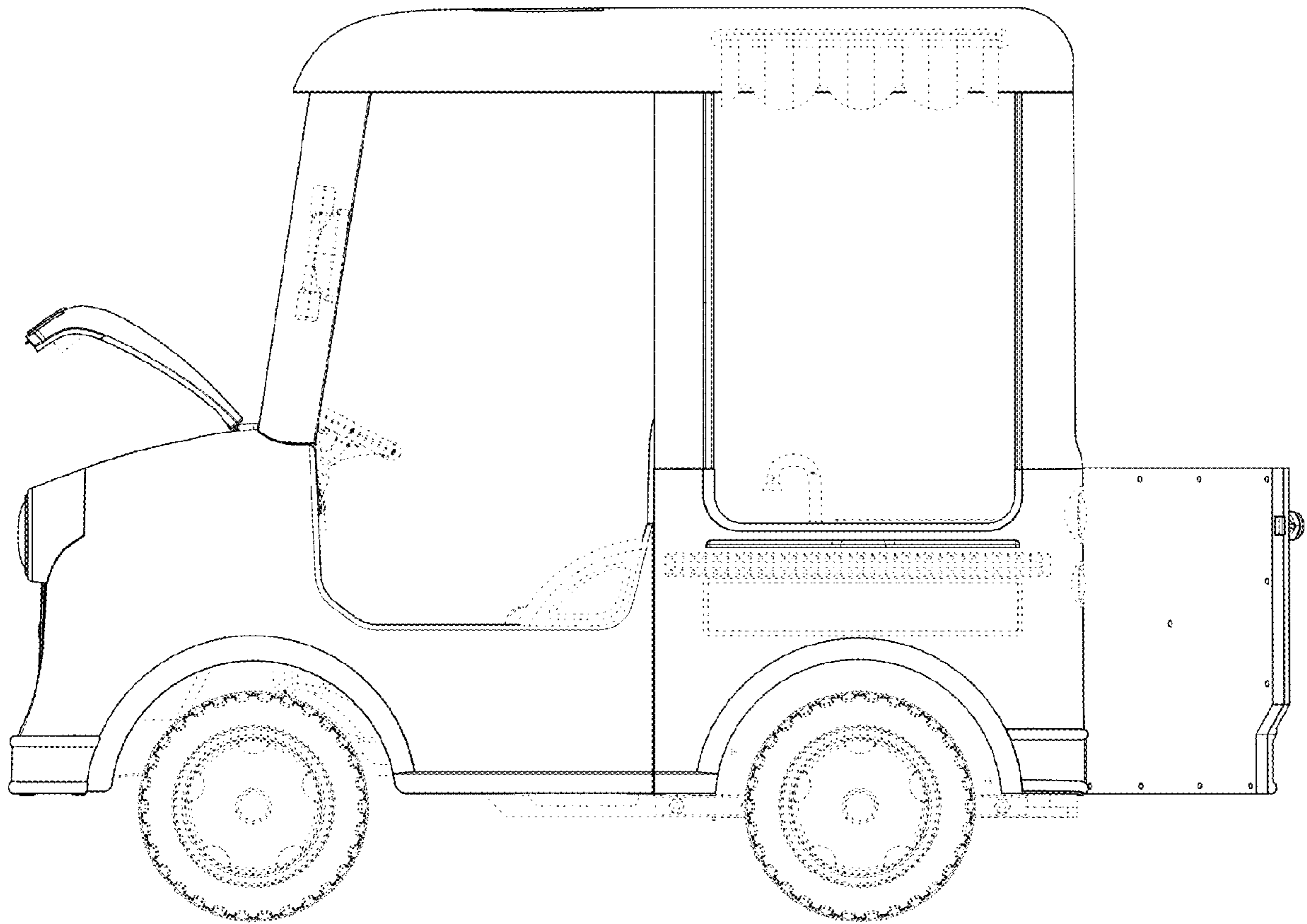


FIG. 13

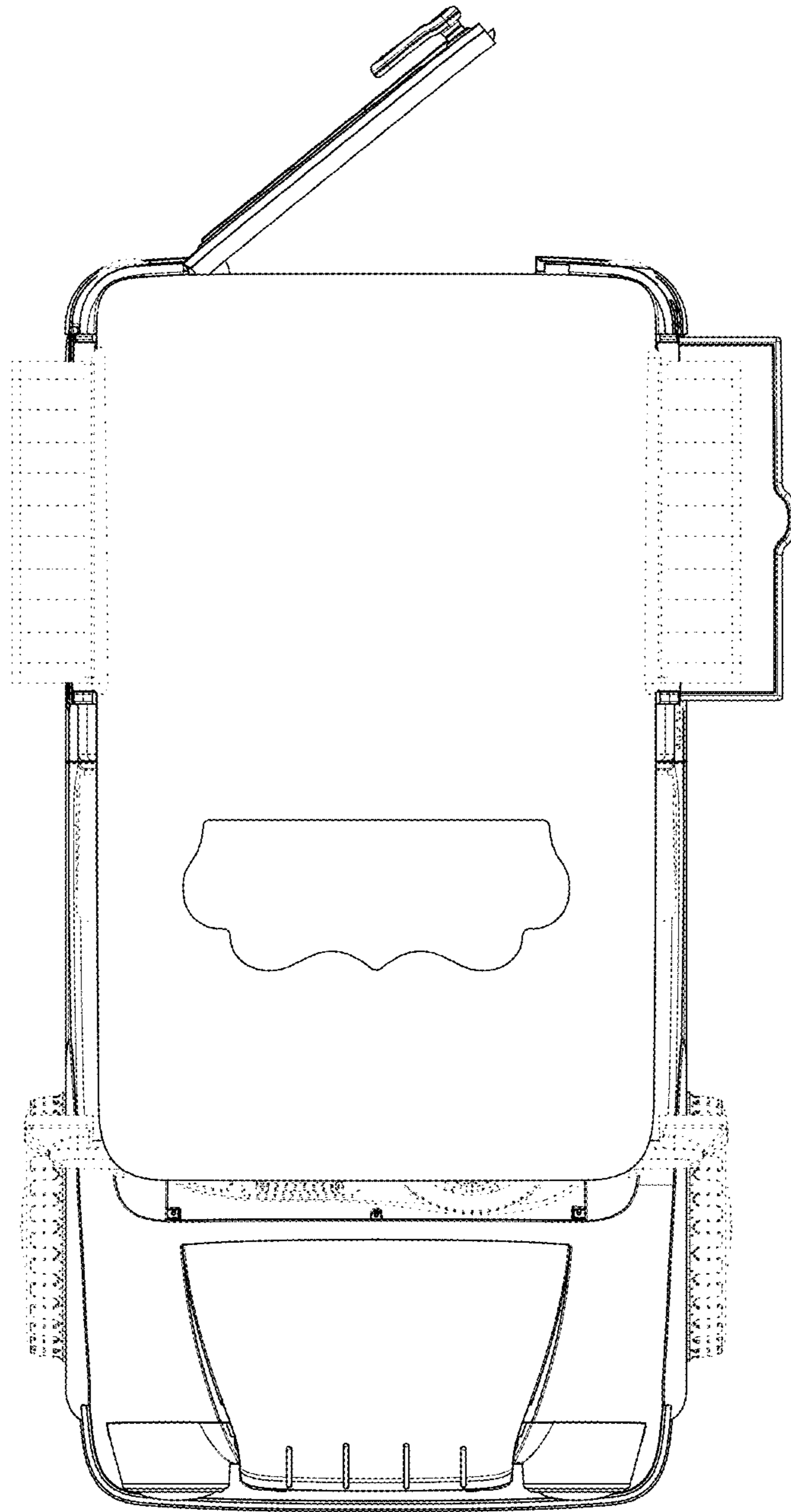


FIG. 14