



US00D948627S

(12) **United States Design Patent**
Lin

(10) **Patent No.:** **US D948,627 S**

(45) **Date of Patent:** **** Apr. 12, 2022**

(54) **TOY ROCKET**

(71) Applicant: **Yong Lin**, Shantou (CN)

(72) Inventor: **Yong Lin**, Shantou (CN)

(**) Term: **15 Years**

(21) Appl. No.: **29/779,501**

(22) Filed: **Apr. 20, 2021**

(51) **LOC (13) Cl.** **21-01**

(52) **U.S. Cl.**
USPC **D21/452**

(58) **Field of Classification Search**
USPC D12/319, 343, 345; D21/438, 447-449,
D21/452
See application file for complete search history.

(56) **References Cited**

U.S. PATENT DOCUMENTS

4,076,006	A *	2/1978	Breslow	A63H 27/14 124/64
D248,498	S *	7/1978	Kambayashi	D21/454
D283,242	S *	4/1986	Wang	D22/112
4,779,534	A *	10/1988	Wang	F42B 4/06 102/334
D317,003	S *	5/1991	Tribe	D12/16.1
D346,844	S *	5/1994	D'Andrade	D21/452
D351,432	S *	10/1994	Dudeck	D21/452
D353,414	S *	12/1994	Crane	D21/452
D377,326	S *	1/1997	Grossman	D12/16.1
D430,950	S *	9/2000	Lee	D26/104
6,460,531	B1 *	10/2002	Gourley	F41B 11/89 124/64
D543,593	S	5/2007	Lapointe		
7,228,802	B2 *	6/2007	Montefusco	F42B 8/16 102/501
7,297,043	B2 *	11/2007	Lam	F41B 11/89 124/65
D627,010	S *	11/2010	Routzong	D21/452

D679,339	S	4/2013	Genovese		
D679,340	S	4/2013	Genovese		
D710,712	S *	8/2014	Yarro	D9/674
D816,508	S *	5/2018	McArdle	D9/674
D903,005	S *	11/2020	Ma	D21/452
D933,746	S *	10/2021	Kinner	D21/302

OTHER PUBLICATIONS

“Lehoo Castle Rocket Launcher for Kids” Oct. 1, 2021, site visited Dec. 3, 2021: <https://www.amazon.com/Lehoo-Castle-Launcher-Upgrade-Continuous/dp/B09DCB6YQC> (Year: 2021).*

* cited by examiner

Primary Examiner — Michael C Stout

Assistant Examiner — Melvin L Davis

(74) *Attorney, Agent, or Firm* — True Shepherd LLC;
Andrew C. Cheng

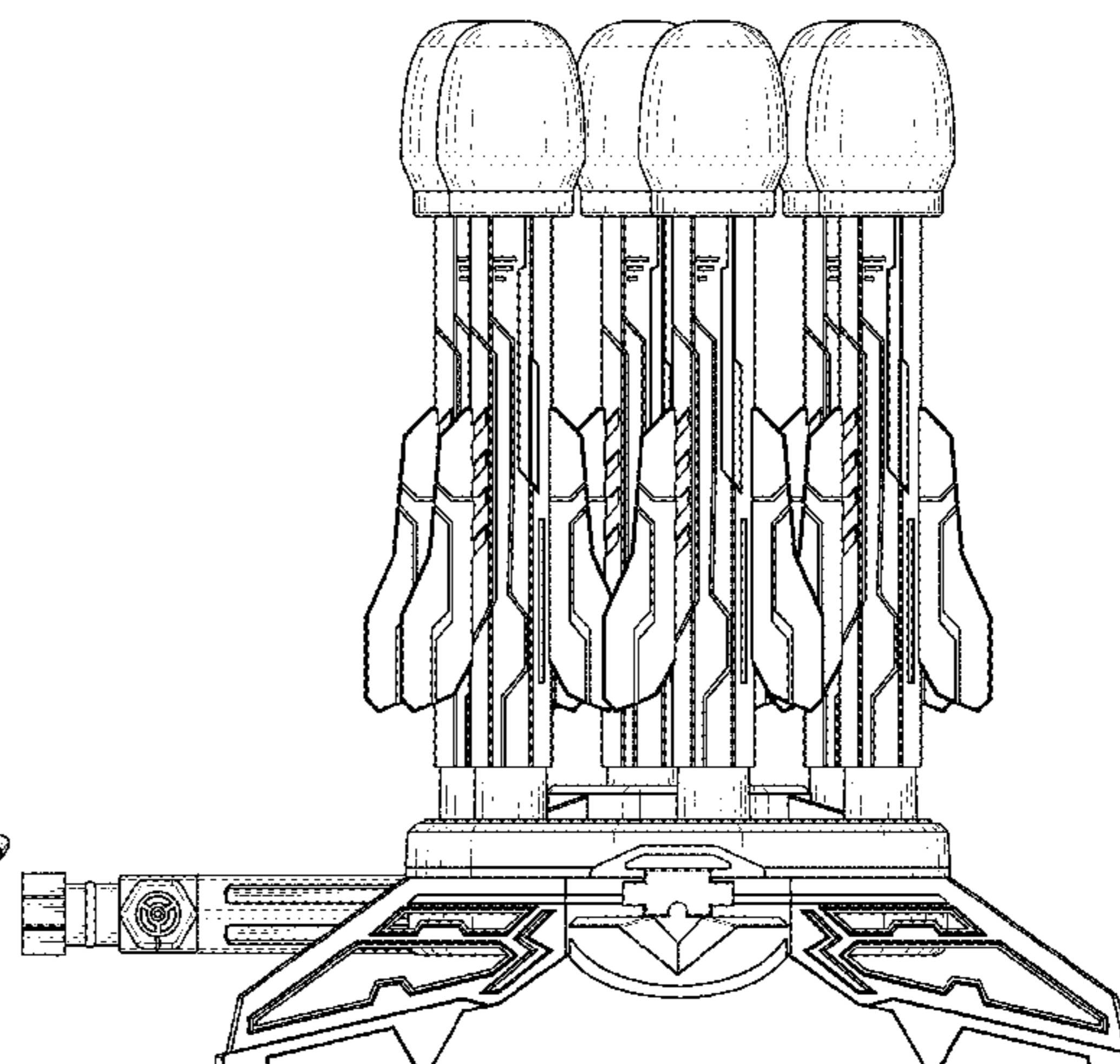
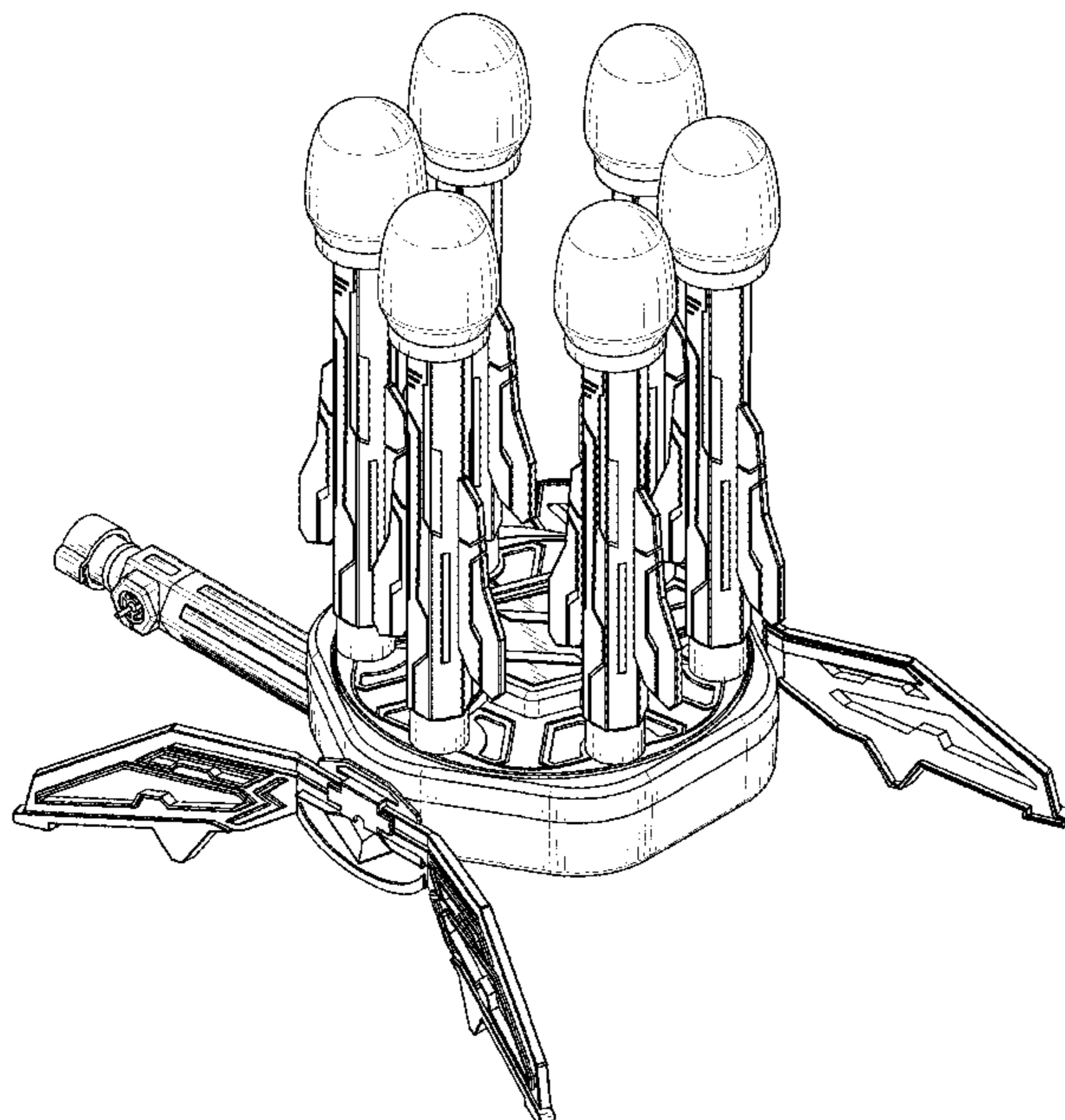
(57) **CLAIM**

The ornamental design for toy rocket, as shown and described.

DESCRIPTION

FIG. 1 is a perspective view of a toy rocket showing my new design;
FIG. 2 is a front view thereof;
FIG. 3 is a rear view thereof;
FIG. 4 is a left side view thereof;
FIG. 5 is a right side view thereof;
FIG. 6 is a top plan view thereof; and,
FIG. 7 is a bottom plan view thereof.
The broken lines depict portions of the toy rocket and form no part of the claimed design.

1 Claim, 7 Drawing Sheets



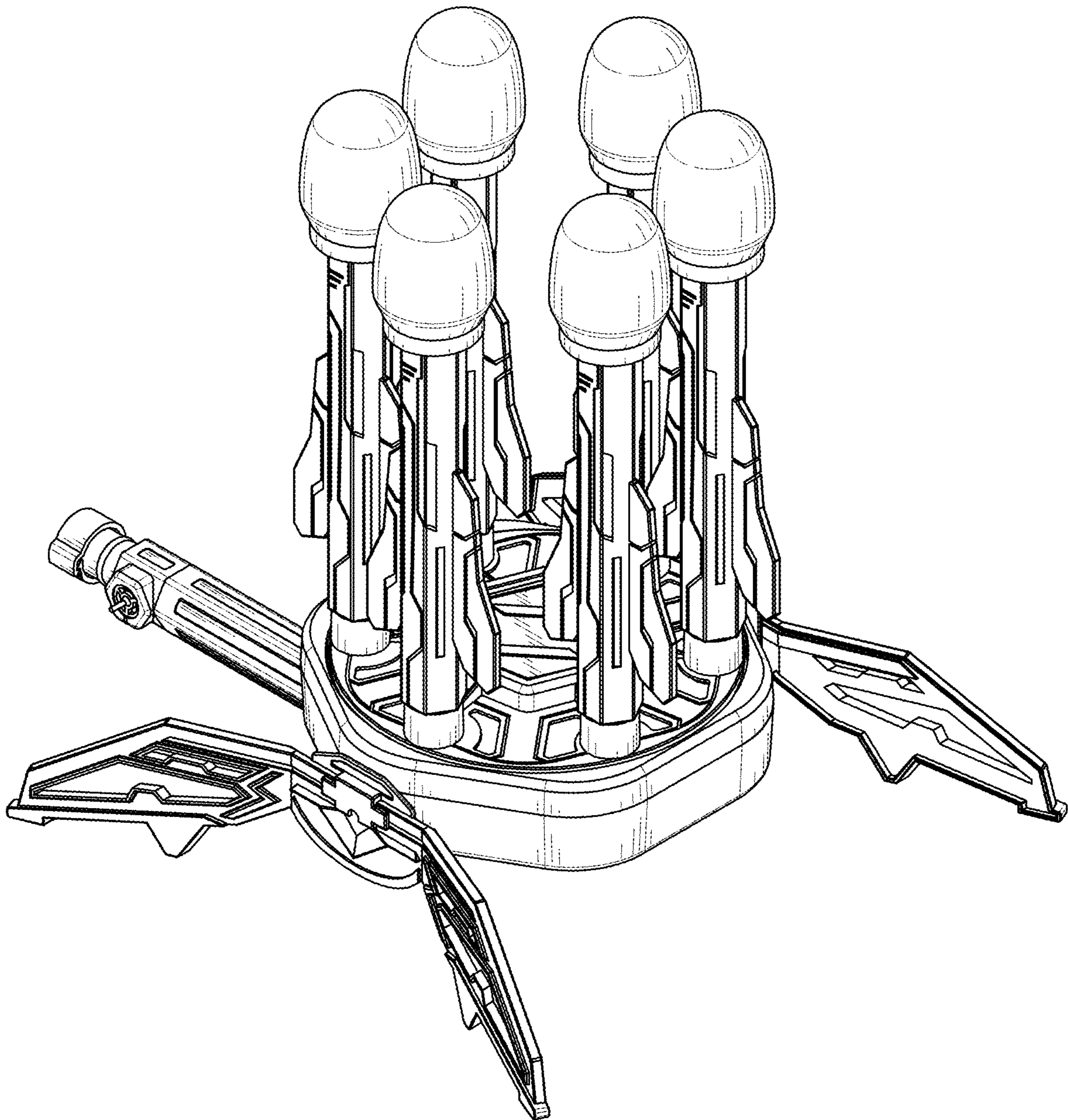


FIG. 1

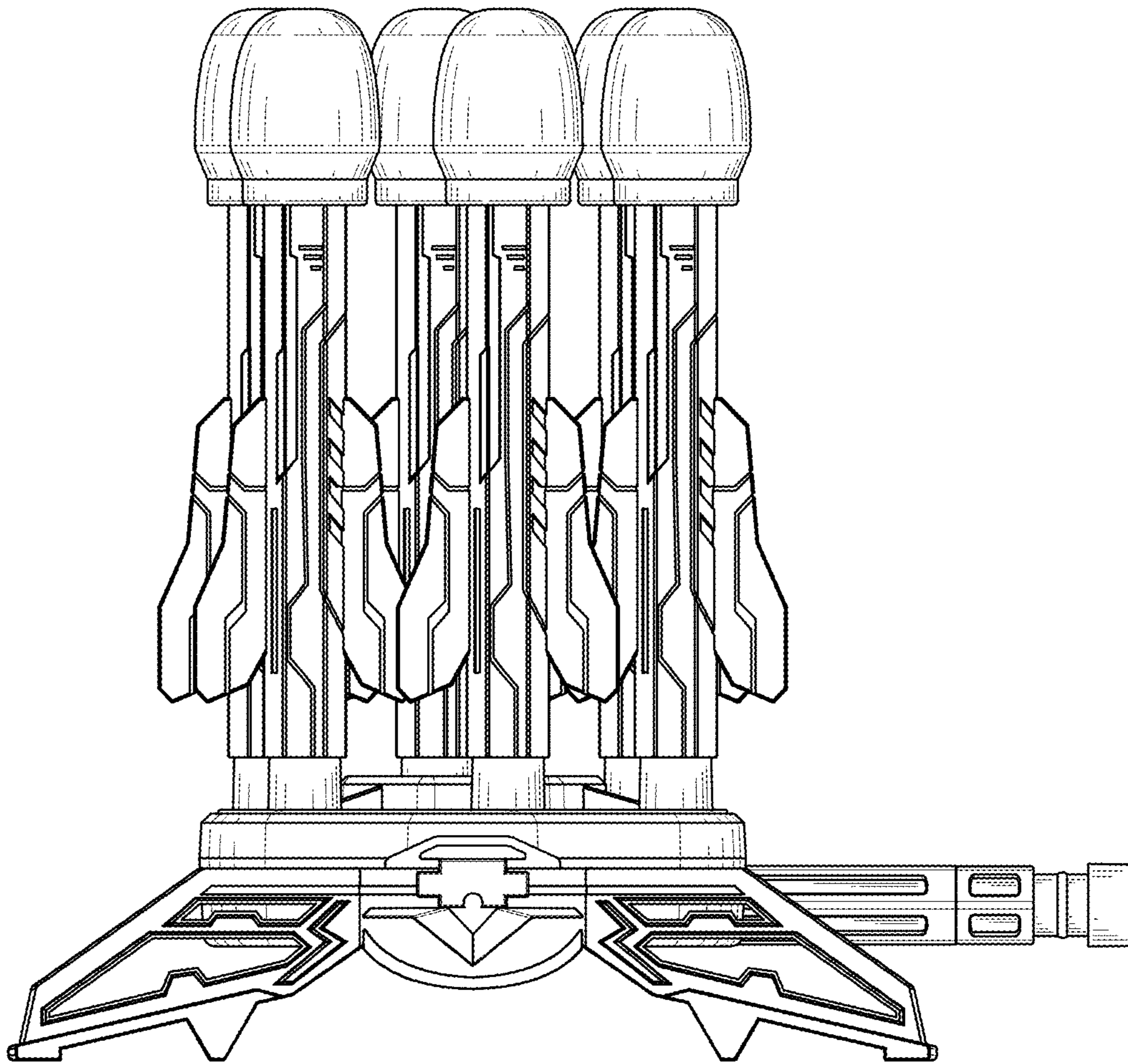


FIG. 2

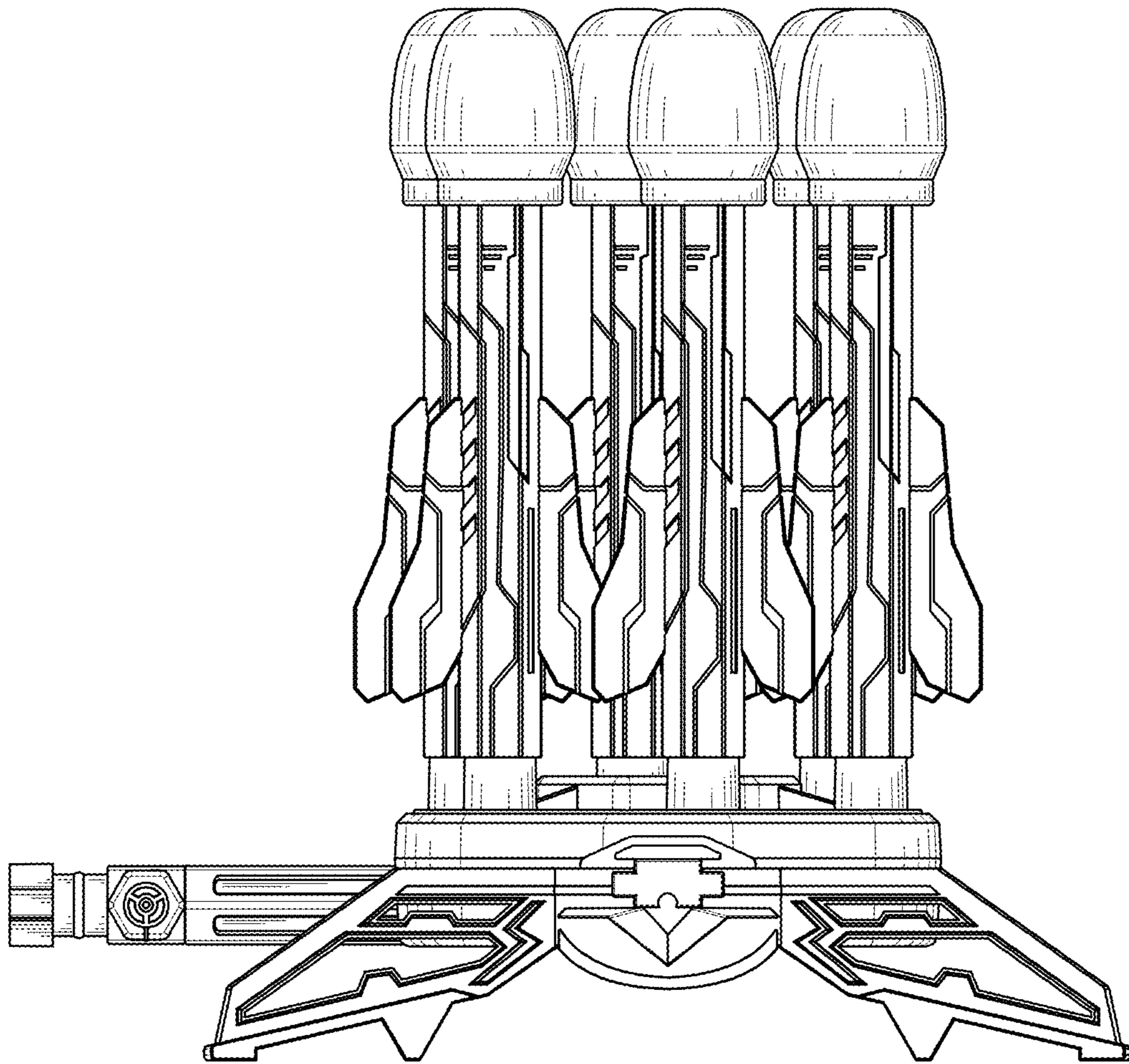


FIG. 3

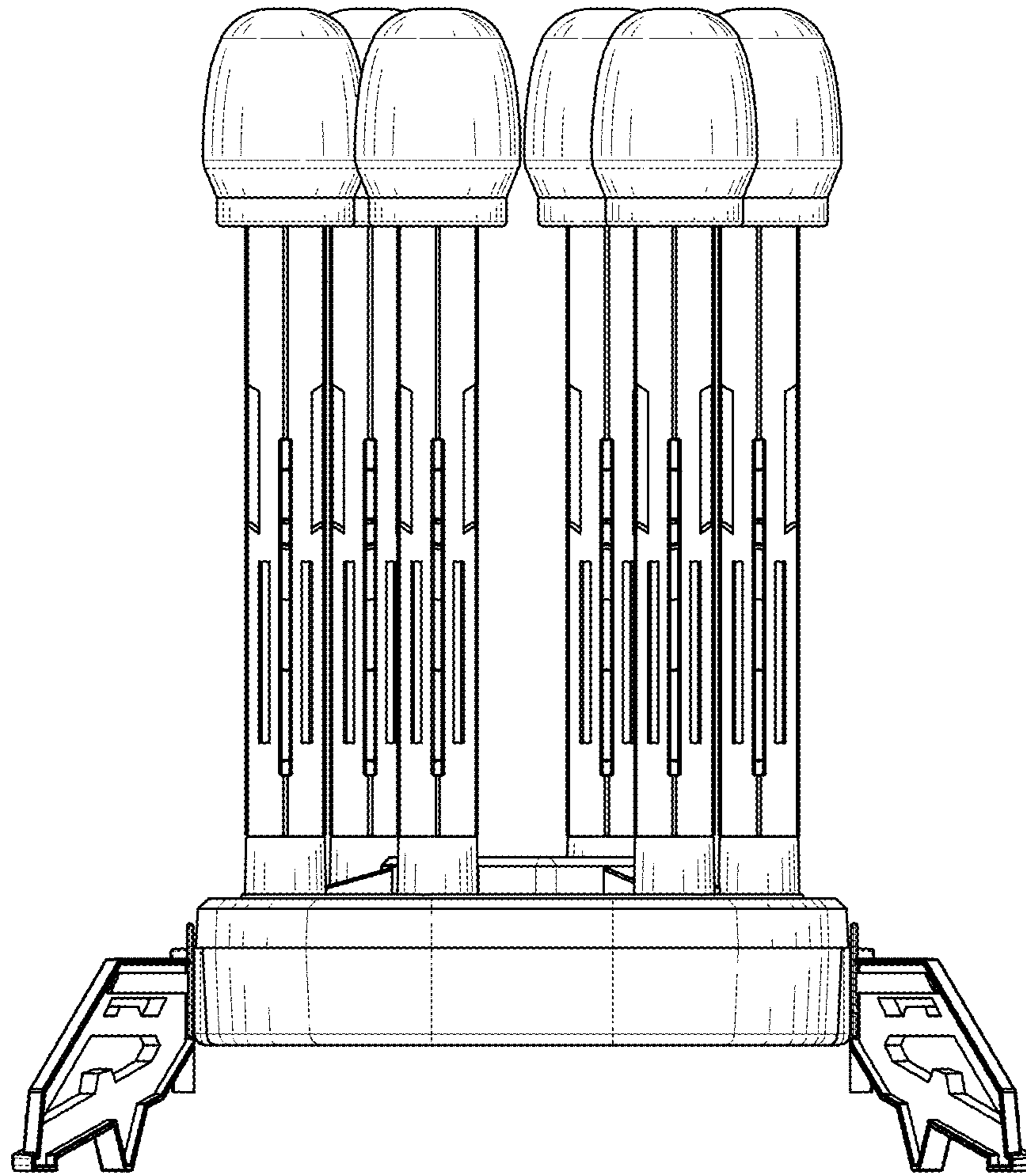


FIG. 4

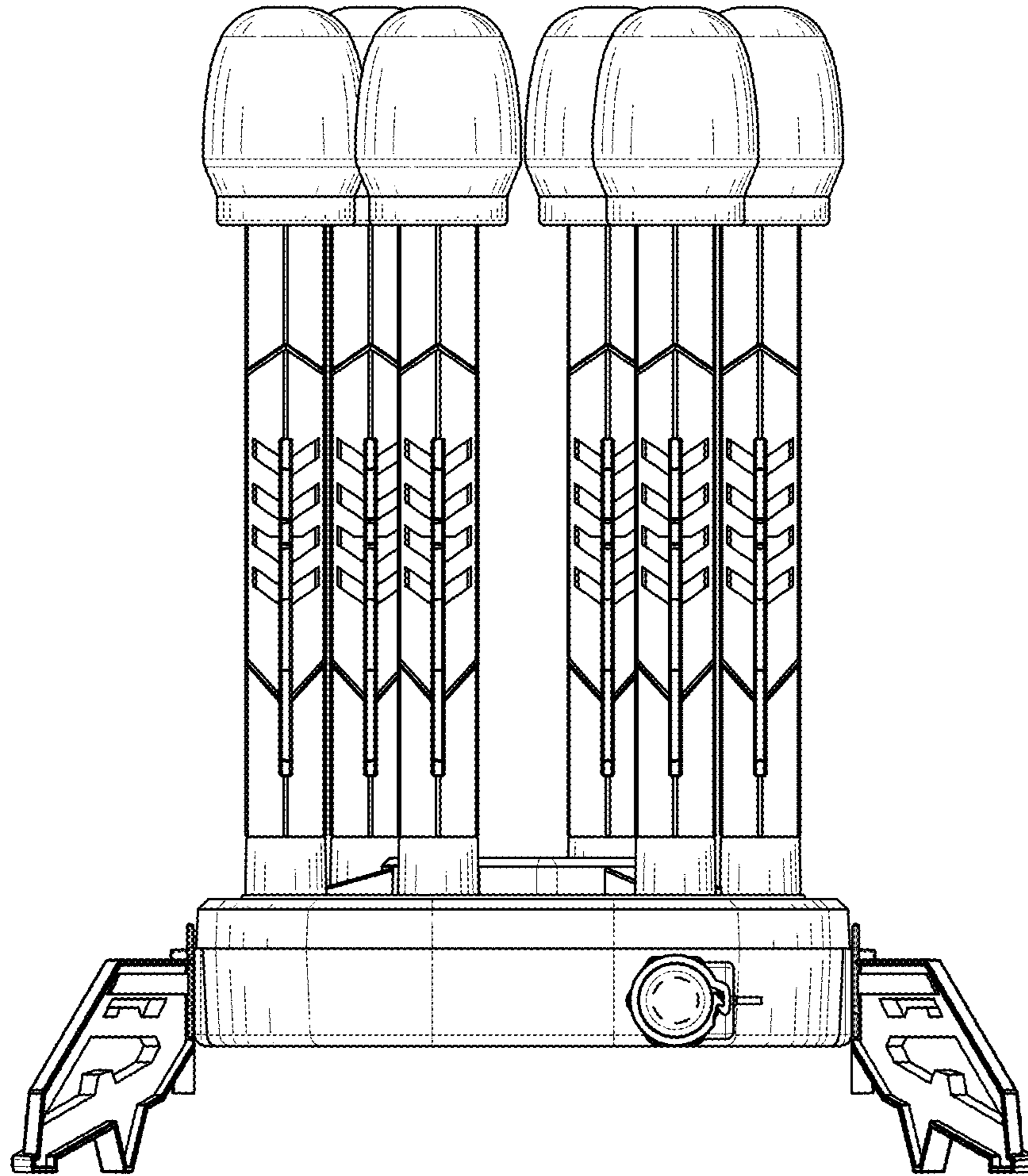


FIG. 5

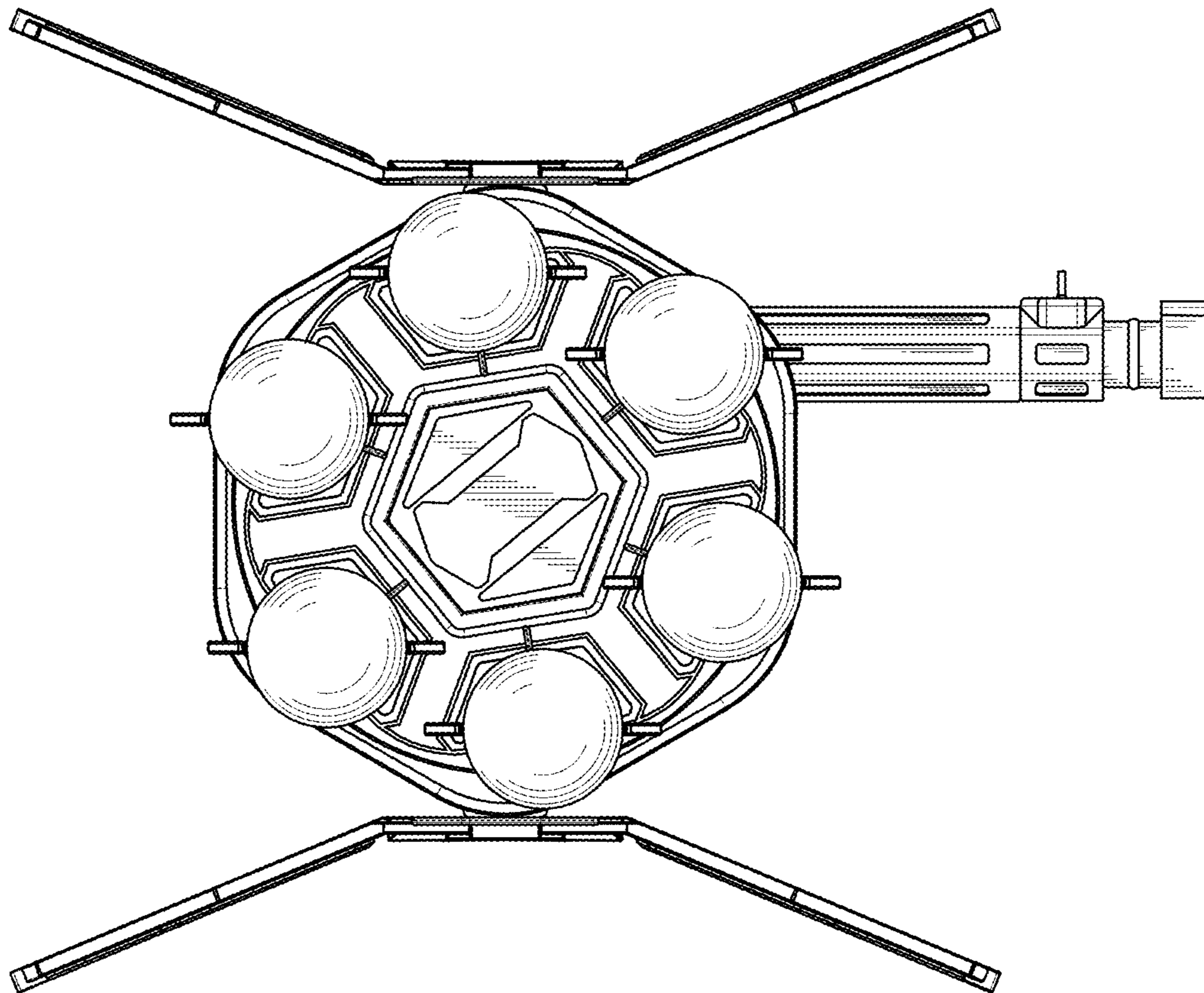


FIG. 6

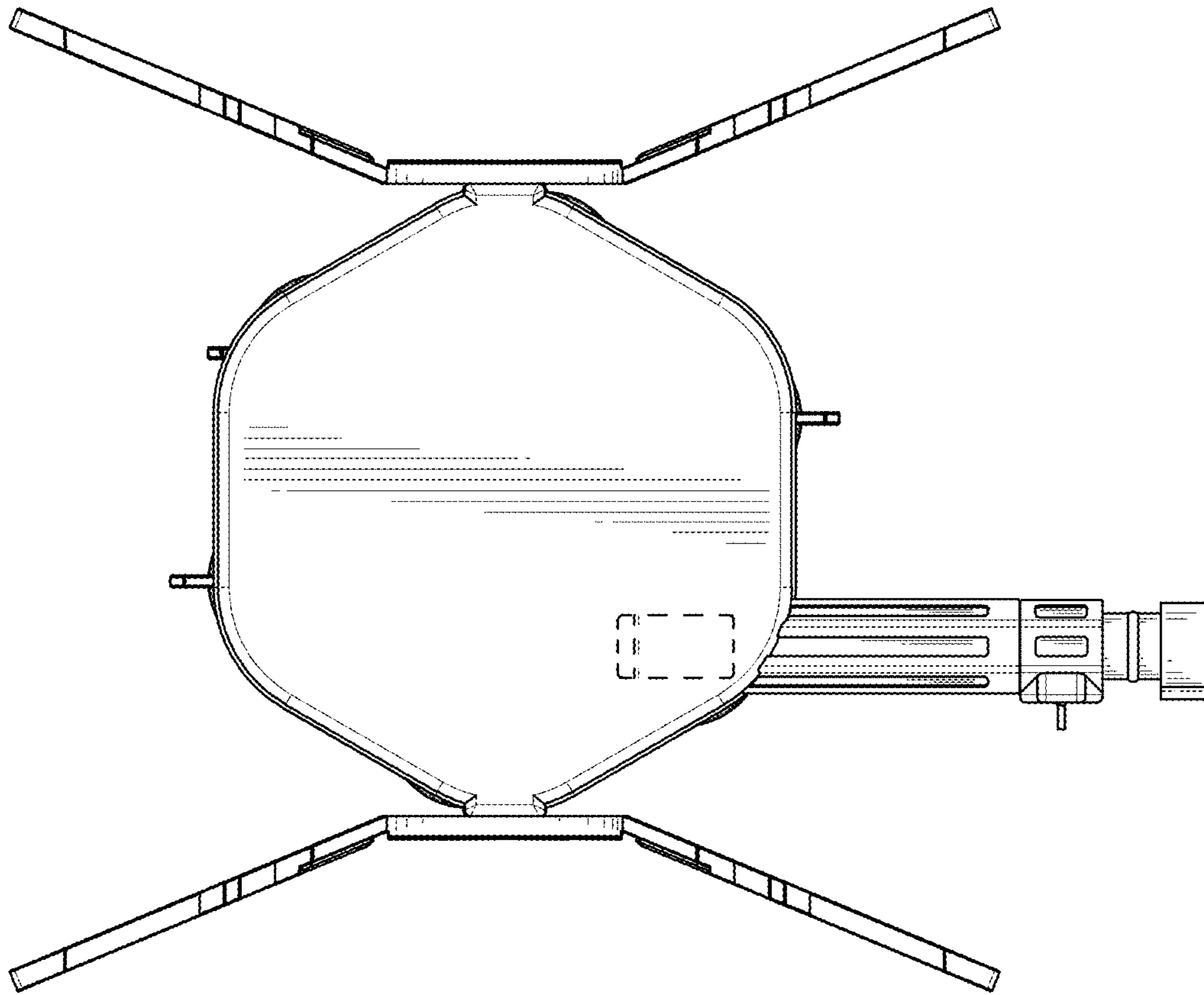


FIG. 7