



US00D948626S

(12) **United States Design Patent** (10) **Patent No.:** **US D948,626 S**  
**Lu et al.** (45) **Date of Patent:** **\*\* Apr. 12, 2022**

(54) **VEHICLE FRAME**  
(71) Applicant: **Yen-Ho Lu**, Taichung (TW)  
(72) Inventors: **Yen-Ho Lu**, Taichung (TW); **Yu-Jhan Lu**, Taichung (TW)  
(73) Assignee: **Yen-Ho Lu**, Taichung (TW)  
(\*\*) Term: **15 Years**  
(21) Appl. No.: **29/729,514**  
(22) Filed: **Mar. 27, 2020**  
(51) **LOC (13) Cl.** ..... **21-01**  
(52) **U.S. Cl.**  
USPC ..... **D21/423**  
(58) **Field of Classification Search**  
USPC .... D21/423; D12/6, 8, 9, 10, 107, 109, 110,  
D12/111, 112, 114, 117, 118, 119  
CPC ..... B62K 13/00; B62K 13/08; B62K 3/002;  
B62K 3/02; B62J 1/08  
See application file for complete search history.

(56) **References Cited**

**U.S. PATENT DOCUMENTS**

D410,058 S \* 5/1999 Friend ..... D21/771  
6,345,678 B1 \* 2/2002 Chang ..... B62K 3/002  
180/181  
D556,838 S \* 12/2007 Ming ..... D21/423  
D735,812 S \* 8/2015 Delgatty ..... D21/423  
D735,813 S \* 8/2015 Delgatty ..... D21/423  
D746,924 S \* 1/2016 Delgatty ..... D21/423  
D750,711 S \* 3/2016 Delgatty ..... D21/423  
D774,979 S \* 12/2016 Delgatty ..... D12/111  
10,023,254 B1 \* 7/2018 Nilsen ..... B62K 15/006  
D826,788 S \* 8/2018 Hu ..... D12/111  
D832,150 S \* 10/2018 Etzelsberger ..... D12/111  
D858,358 S \* 9/2019 Hutto ..... D12/110  
D908,543 S \* 1/2021 Richard ..... D12/111  
D921,537 S \* 6/2021 Letema ..... D12/112

2014/0203538 A1 \* 7/2014 Huang ..... B62K 3/00  
280/639  
2015/0042053 A1 \* 2/2015 Berndorfer ..... B62K 13/00  
280/7.1  
2015/0068828 A1 \* 3/2015 Delgatty ..... B62J 1/04  
180/210  
2016/0176470 A1 \* 6/2016 Broussard ..... B62J 15/02  
280/87.041  
2016/0200389 A1 \* 7/2016 Chen ..... B62K 3/002  
280/639  
2016/0347397 A1 \* 12/2016 Etzelsberger ..... B62J 9/20  
2019/0202519 A1 \* 7/2019 Etzelsberger ..... B62K 15/006  
2020/0189682 A1 \* 6/2020 Ko ..... B62K 5/06  
(Continued)

**FOREIGN PATENT DOCUMENTS**

WO WO-2004043772 A2 \* 5/2004 ..... B62K 3/002  
WO WO-2021051212 A1 \* 3/2021 ..... B62K 9/00

*Primary Examiner* — Sandra Snapp  
*Assistant Examiner* — Ieisha N Price  
(74) *Attorney, Agent, or Firm* — Muncy, Geissler, Olds & Lowe, P.C.

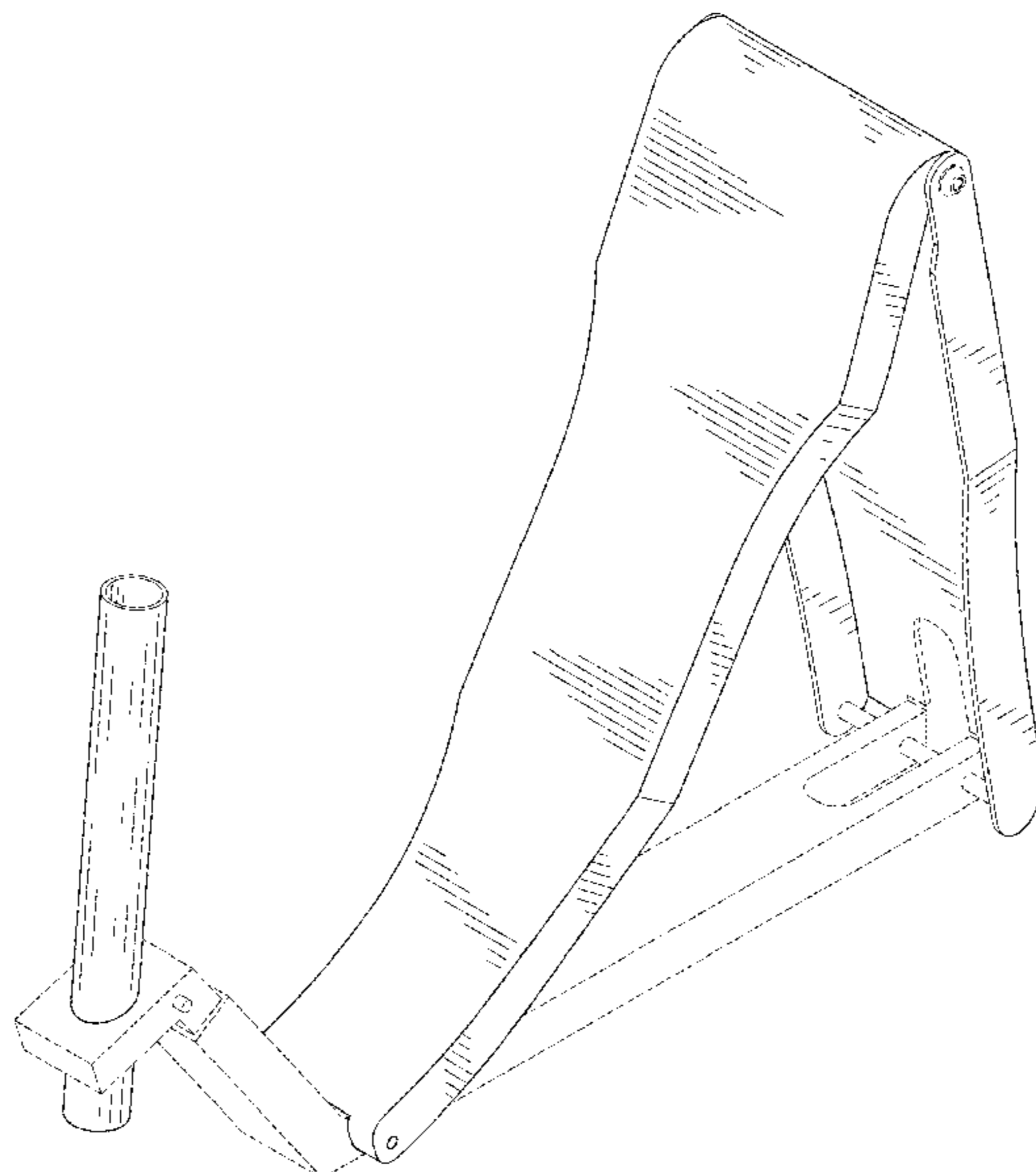
(57) **CLAIM**

We claim the ornamental design for a vehicle frame, as shown and described.

**DESCRIPTION**

FIG. 1 is a top, front, right perspective view of a vehicle frame showing our new design;  
FIG. 2 is a front elevational view thereof;  
FIG. 3 is a rear elevational view thereof;  
FIG. 4 is a left side elevation view thereof;  
FIG. 5 is a right side elevation view thereof;  
FIG. 6 is a top plan view thereof;  
FIG. 7 is a bottom plan view thereof; and,  
FIG. 8 is a top, front, left perspective view.  
The broken lines in the drawings illustrate portions of the vehicle frame which form no part of the claimed design.

**1 Claim, 6 Drawing Sheets**



(56)

**References Cited**

U.S. PATENT DOCUMENTS

2021/0086857 A1\* 3/2021 Lu ..... B62K 13/04  
2021/0155312 A1\* 5/2021 Seo ..... B62K 13/02

\* cited by examiner

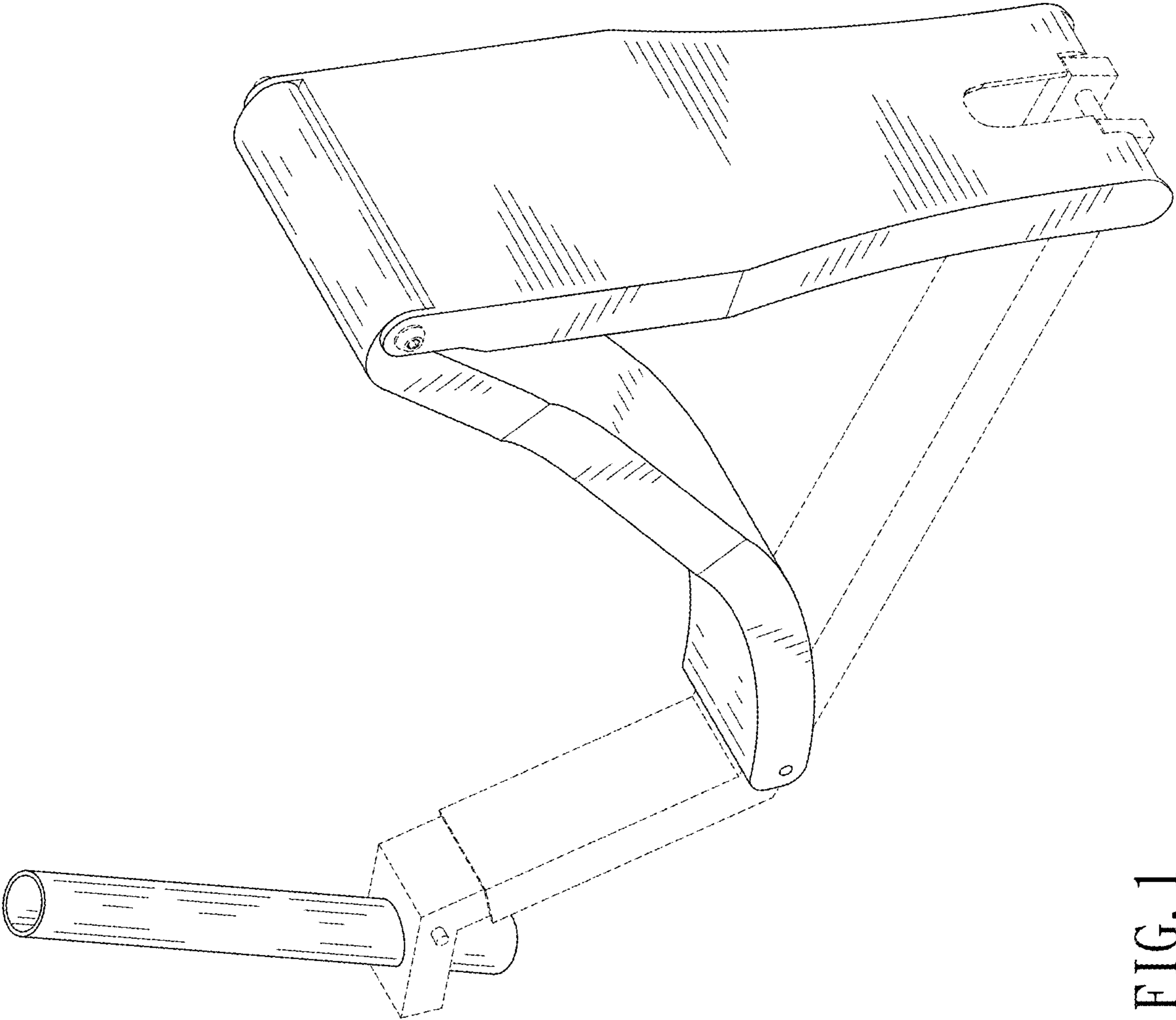


FIG. 1

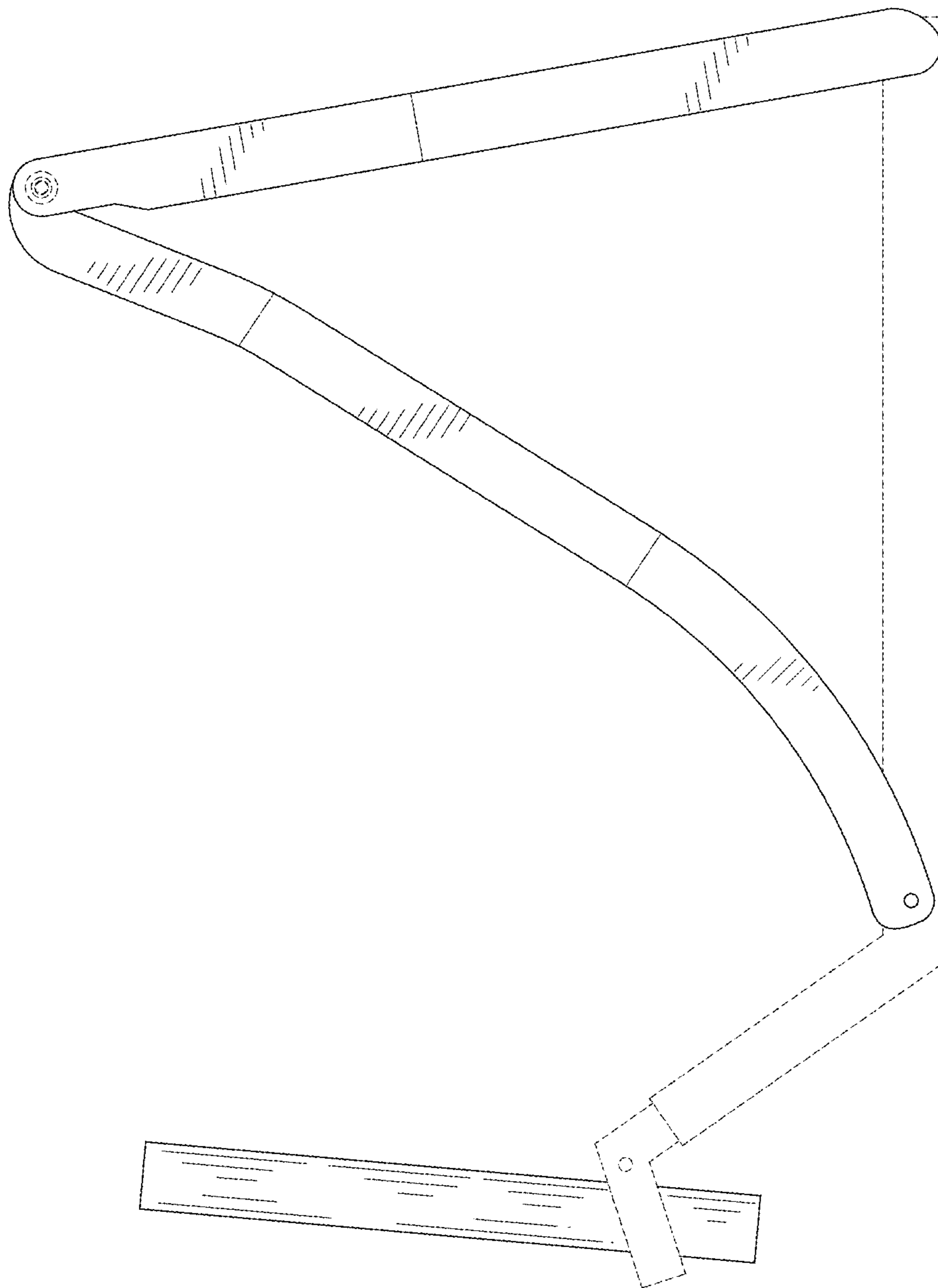


FIG. 2

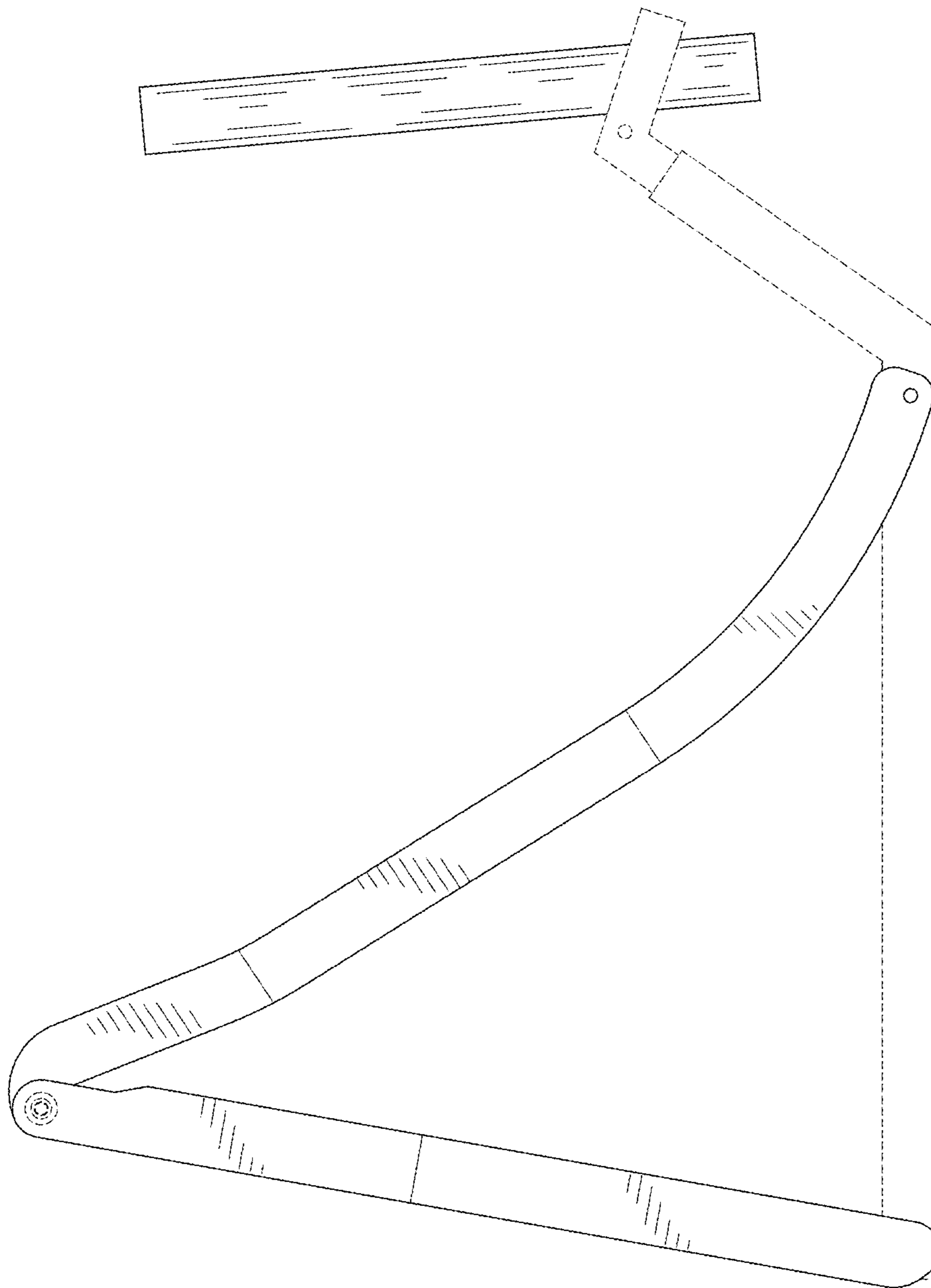


FIG. 3

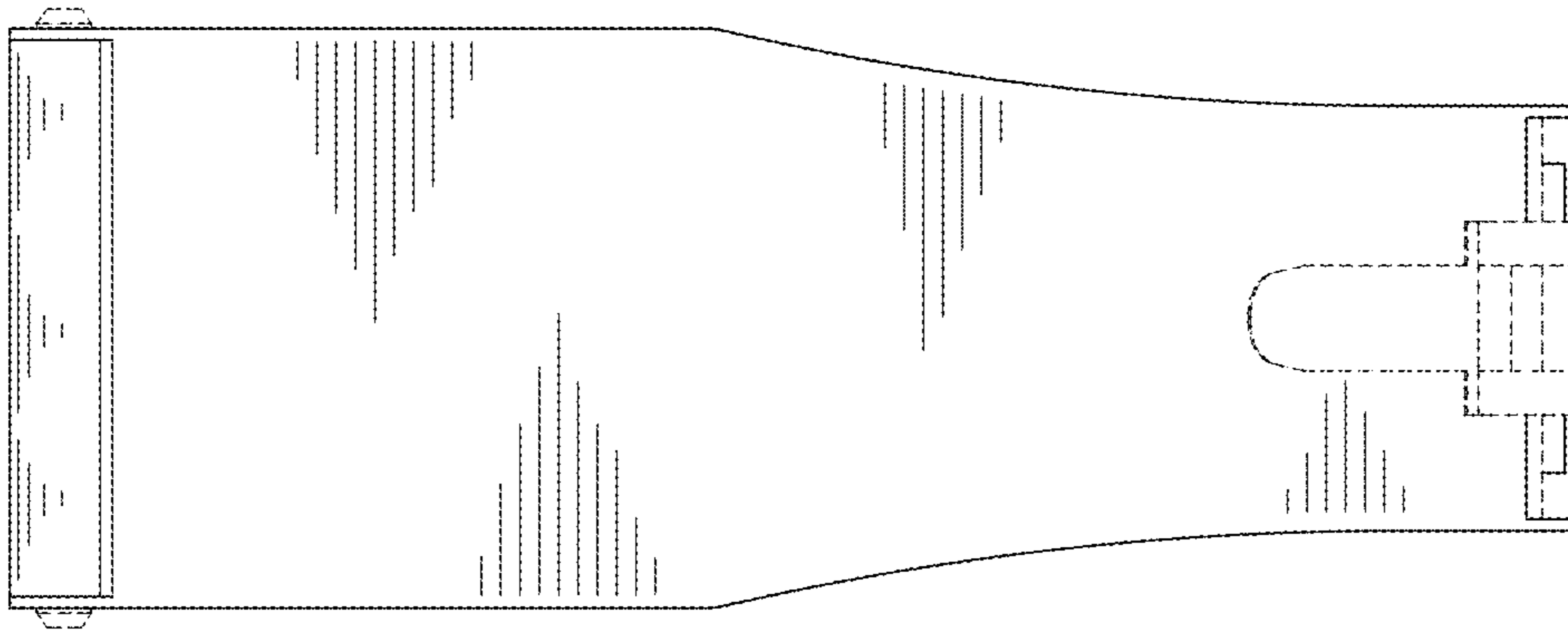


FIG. 5

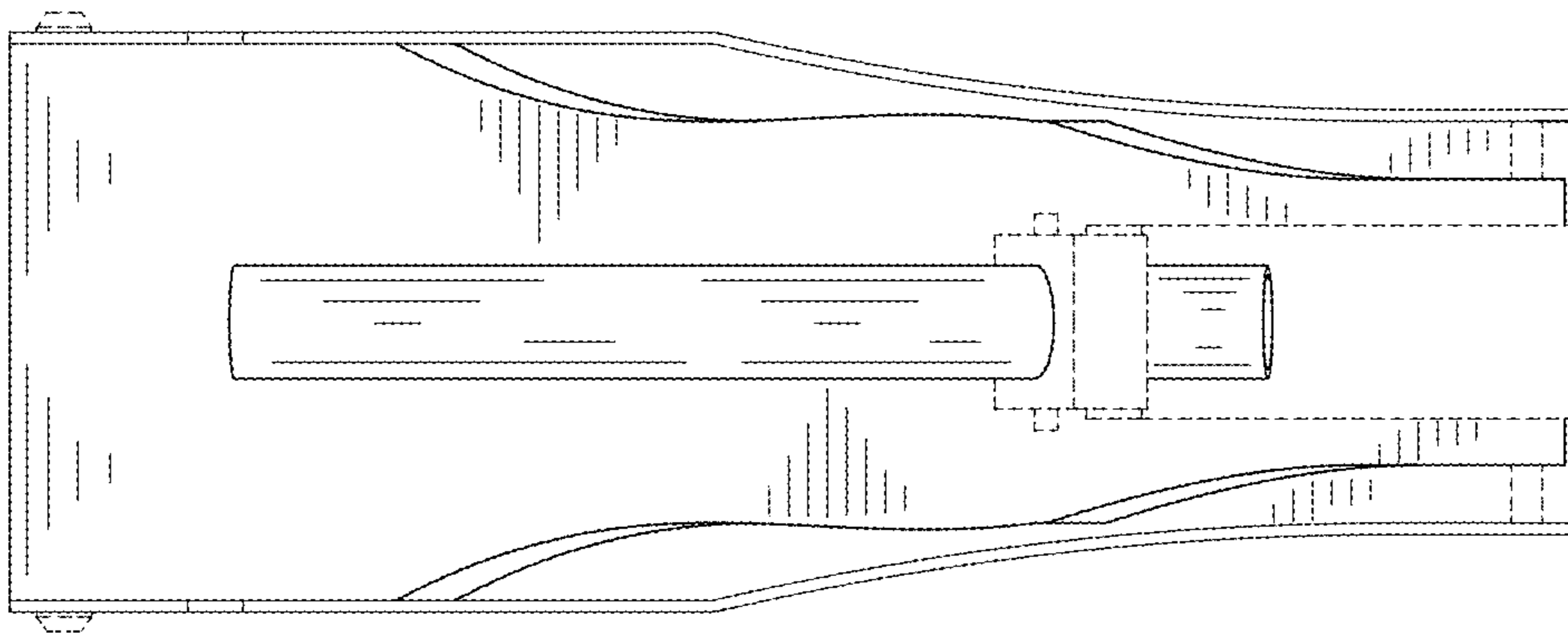


FIG. 4

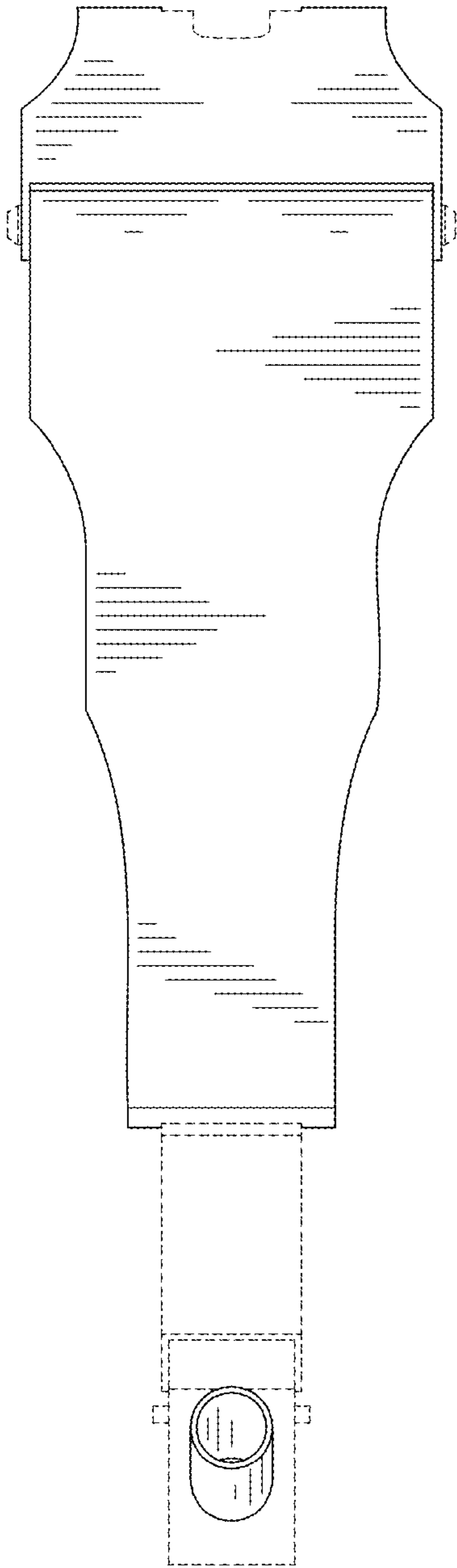


FIG. 6

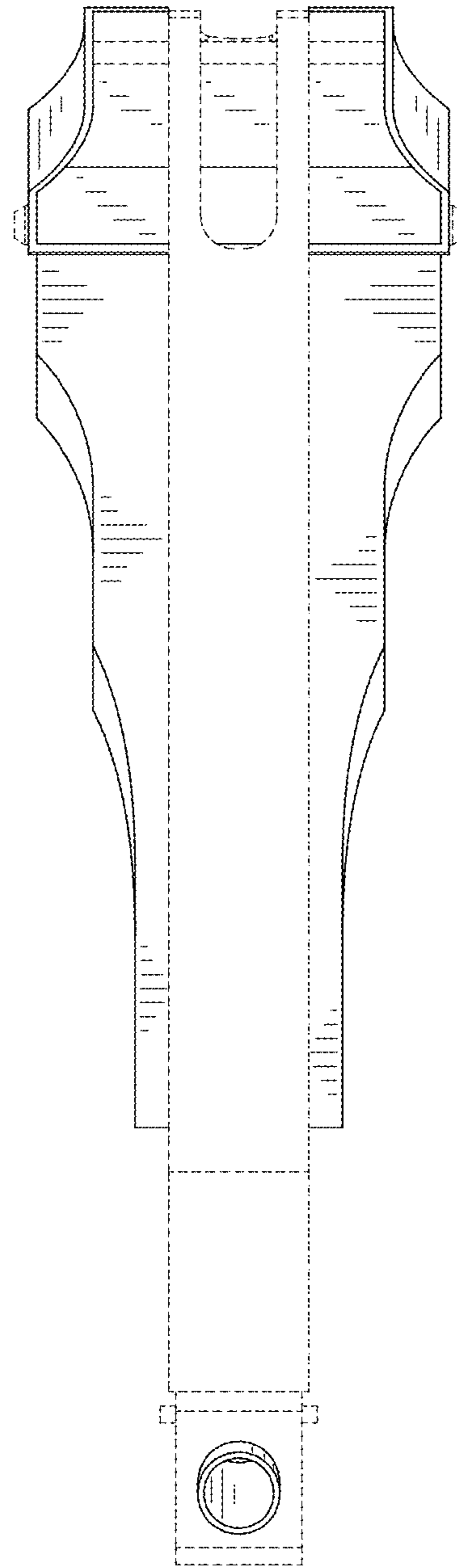


FIG. 7

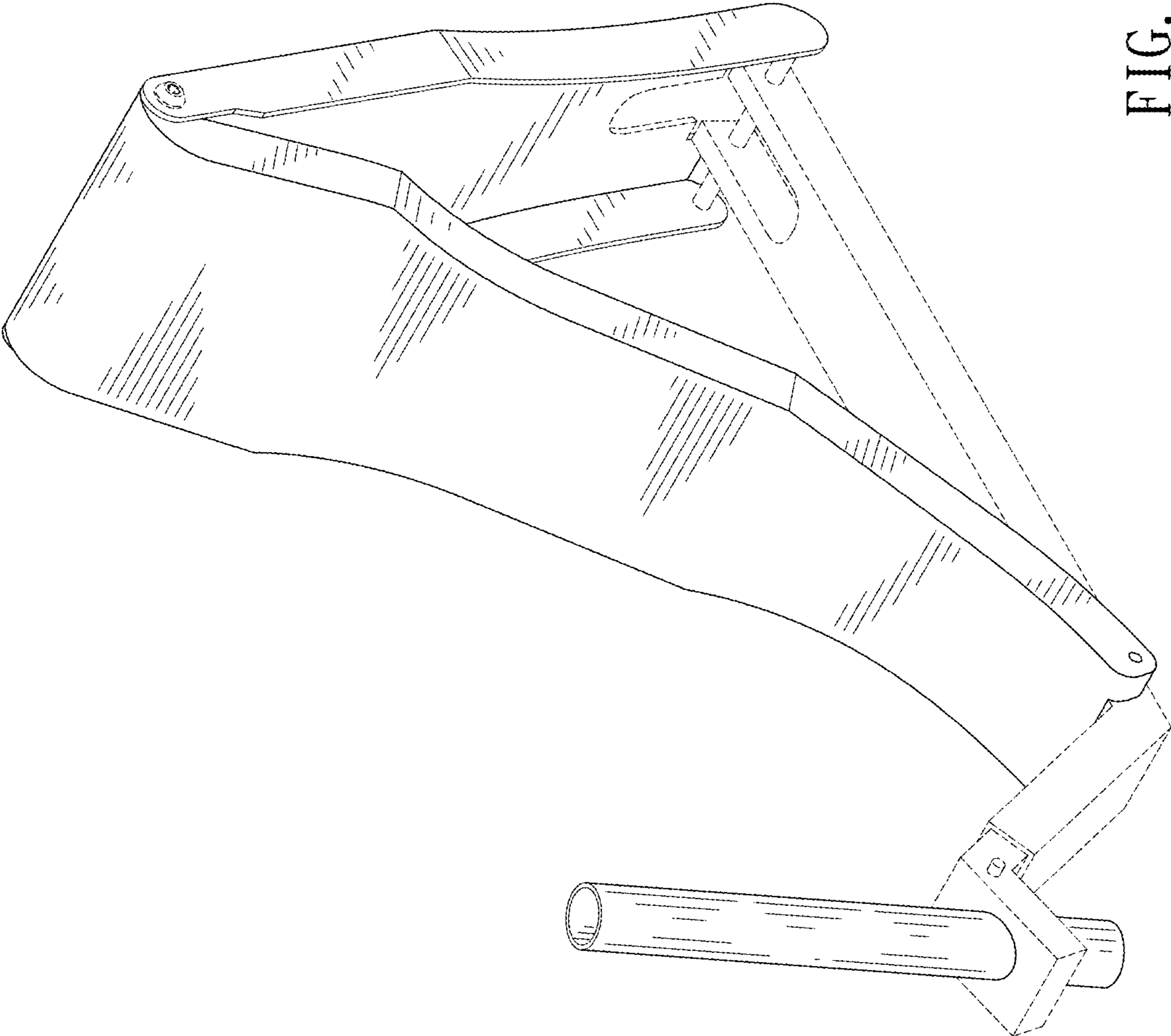


FIG. 8