



US00D948625S

(12) **United States Design Patent**  
**Yang**

(10) **Patent No.:** **US D948,625 S**

(45) **Date of Patent:** **\*\* Apr. 12, 2022**

(54) **BUBBLE SOLUTION DELIVERY MEMBER FOR A BUBBLE MACHINE**

4,044,496 A	8/1977	Jernstrom	
4,775,348 A	10/1988	Collins	
5,288,256 A *	2/1994	Lee	A63H 33/18 222/78
5,348,509 A *	9/1994	Riccardi	A63H 33/18 446/46
D353,166 S	12/1994	Kwak	
5,393,256 A *	2/1995	Mitchell	A63H 33/18 446/15
5,462,469 A	10/1995	Lei	

(Continued)

(71) Applicant: **Honor Metro Limited**, Kowloon (HK)

(72) Inventor: **Nai Cheng Yang**, Temple City, CA (US)

(73) Assignee: **HONOR METRO LIMITED**, Kowloon (HK)

(\*\*) Term: **15 Years**

(21) Appl. No.: **29/787,496**

(22) Filed: **Jun. 7, 2021**

FOREIGN PATENT DOCUMENTS

CA	2824412 A1	8/2012
CN	2103358 U	5/1992

(Continued)

*Primary Examiner* — Catherine A Tuttle

(74) *Attorney, Agent, or Firm* — Belles Katz LLC

**Related U.S. Application Data**

(62) Division of application No. 29/747,077, filed on Aug. 19, 2020, now Pat. No. Des. 924,982, which is a division of application No. 29/670,491, filed on Nov. 16, 2018, now Pat. No. Des. 896,894.

(51) **LOC (13) Cl.** ..... **21-01**

(52) **U.S. Cl.**  
USPC ..... **D21/401**

(58) **Field of Classification Search**  
USPC ..... D21/398, 401, 402, 405, 455, 468, 483,  
D21/513, 514, 516, 523, 525, 526, 528,  
D21/532; 446/15-21, 71, 74, 76, 475,  
446/484, 487, 491  
CPC ..... A63H 33/28  
See application file for complete search history.

(57) **CLAIM**

The ornamental design for a bubble solution delivery member for a bubble machine, as shown and described.

**DESCRIPTION**

FIG. 1 is a first top perspective view of a bubble solution delivery member for a bubble machine showing my new design;  
FIG. 2 is a second top perspective view thereof;  
FIG. 3 is a bottom perspective view thereof;  
FIG. 4 is a front view thereof;  
FIG. 5 is a rear view thereof;  
FIG. 6 is a right side view thereof;  
FIG. 7 is a left side view thereof;  
FIG. 8 is a top view thereof; and,  
FIG. 9 is a bottom view thereof.

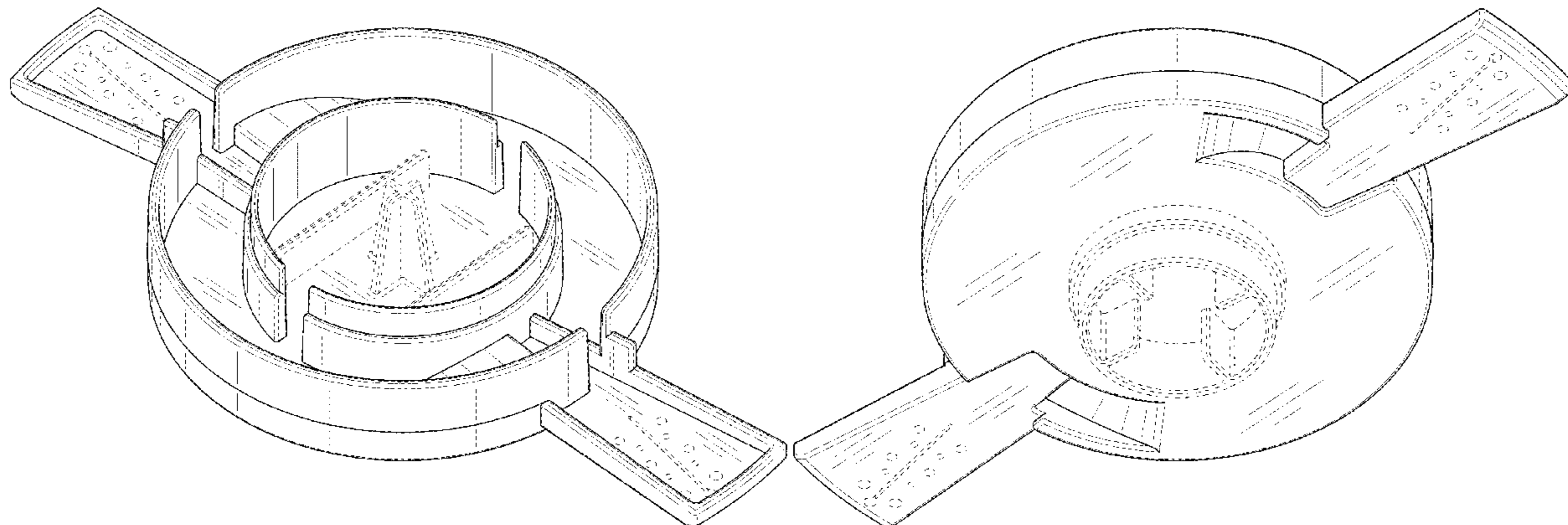
The broken lines in the drawings illustrate portions of the bubble solution delivery member for a bubble machine that form no part of the claimed design.

(56) **References Cited**

U.S. PATENT DOCUMENTS

2,452,794 A	11/1948	Saachy
2,632,281 A	3/1953	Schmidt, Jr.
2,720,723 A	10/1955	Peretti
2,942,375 A	6/1960	Bucic, Jr.
4,016,673 A	4/1977	Constance

**1 Claim, 8 Drawing Sheets**



(56)

References Cited

U.S. PATENT DOCUMENTS

5,832,969	A	11/1998	Schramm
6,102,764	A	8/2000	Thai
6,200,184	B1	3/2001	Rich et al.
6,328,286	B1	12/2001	Sanchez et al.
6,331,130	B1	12/2001	Thai
6,544,091	B1 *	4/2003	Thai ..... A63H 33/28 446/15
6,572,427	B1	6/2003	Thai
6,616,498	B1	9/2003	Thai
6,682,570	B2	1/2004	Thai
D490,861	S	6/2004	Buzzelli
6,820,662	B2	11/2004	Crawford et al.
7,021,986	B2	4/2006	Thai
7,144,291	B1	12/2006	Thai
7,172,484	B2	2/2007	Thai
7,780,497	B2	8/2010	Thai
8,123,584	B2	2/2012	Thai
8,272,915	B2	9/2012	Thai
8,272,916	B2	9/2012	Thai
9,339,737	B2	5/2016	Chan
D790,009	S	6/2017	Lo et al.
9,884,262	B2	2/2018	Huey

10,363,492	B1	7/2019	Thai
D896,894	S	9/2020	Yang
10,807,015	B2	10/2020	Chan
10,905,968	B2 *	2/2021	Huey ..... A63H 33/28
2002/0090878	A1	7/2002	Holmes
2003/0116224	A1	6/2003	Crawford et al.
2009/0163109	A1	6/2009	Thai
2009/0209163	A1	8/2009	Thai
2010/0173558	A1	7/2010	Huey
2012/0220184	A1	8/2012	Orem et al.
2015/0133021	A1	5/2015	Huey
2018/0272245	A1	9/2018	Pogue
2020/0155957	A1	5/2020	Clayton

FOREIGN PATENT DOCUMENTS

CN	2907803	Y	6/2007
CN	2907813	Y	6/2007
CN	2930817	Y	8/2007
CN	201055703	Y	5/2008
CN	20167639	Y	6/2008
CN	202427173	U	9/2012
EP	2921213	A1	9/2015
WO	WO 2004/012831	A2	2/2004

\* cited by examiner

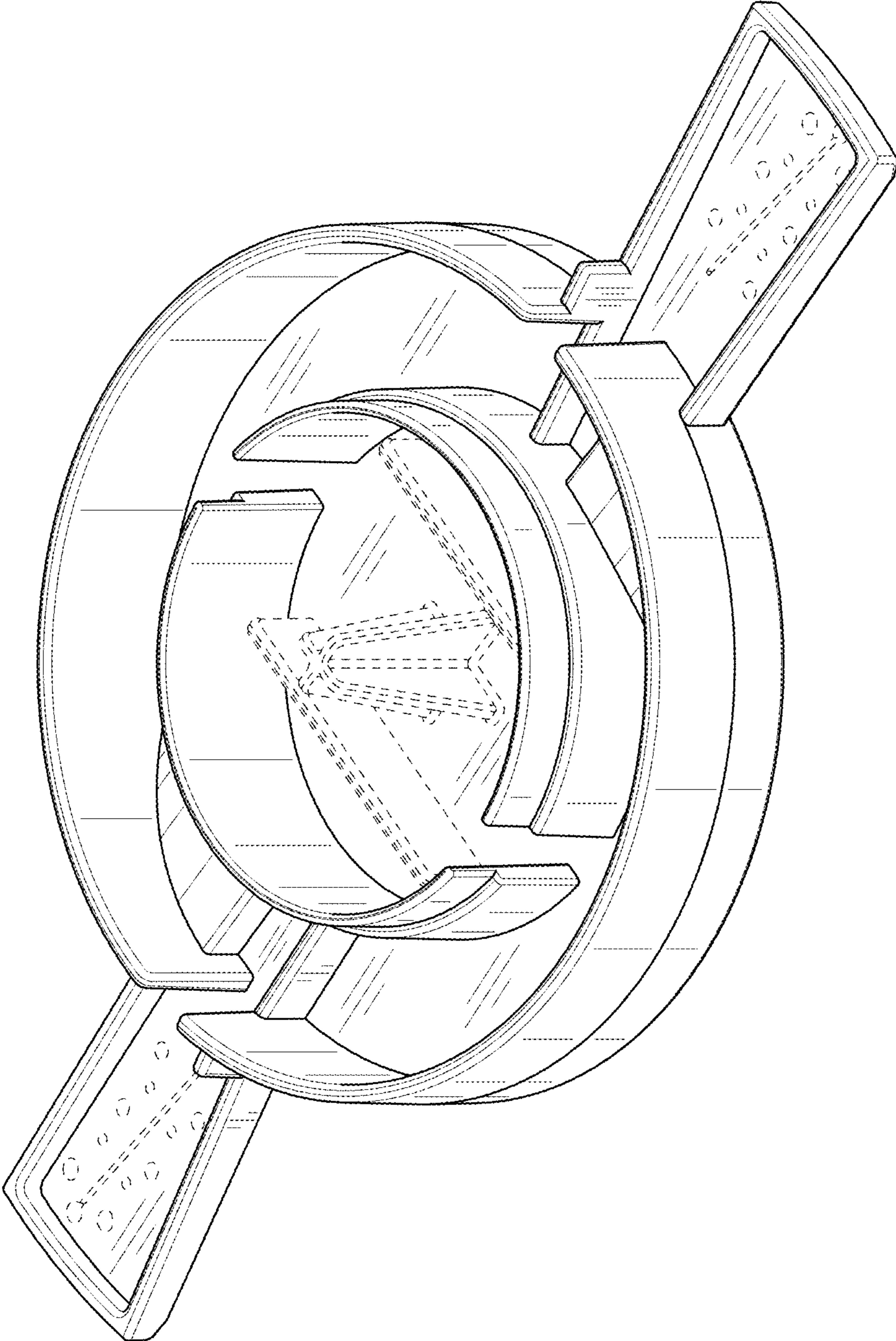


FIG. 1

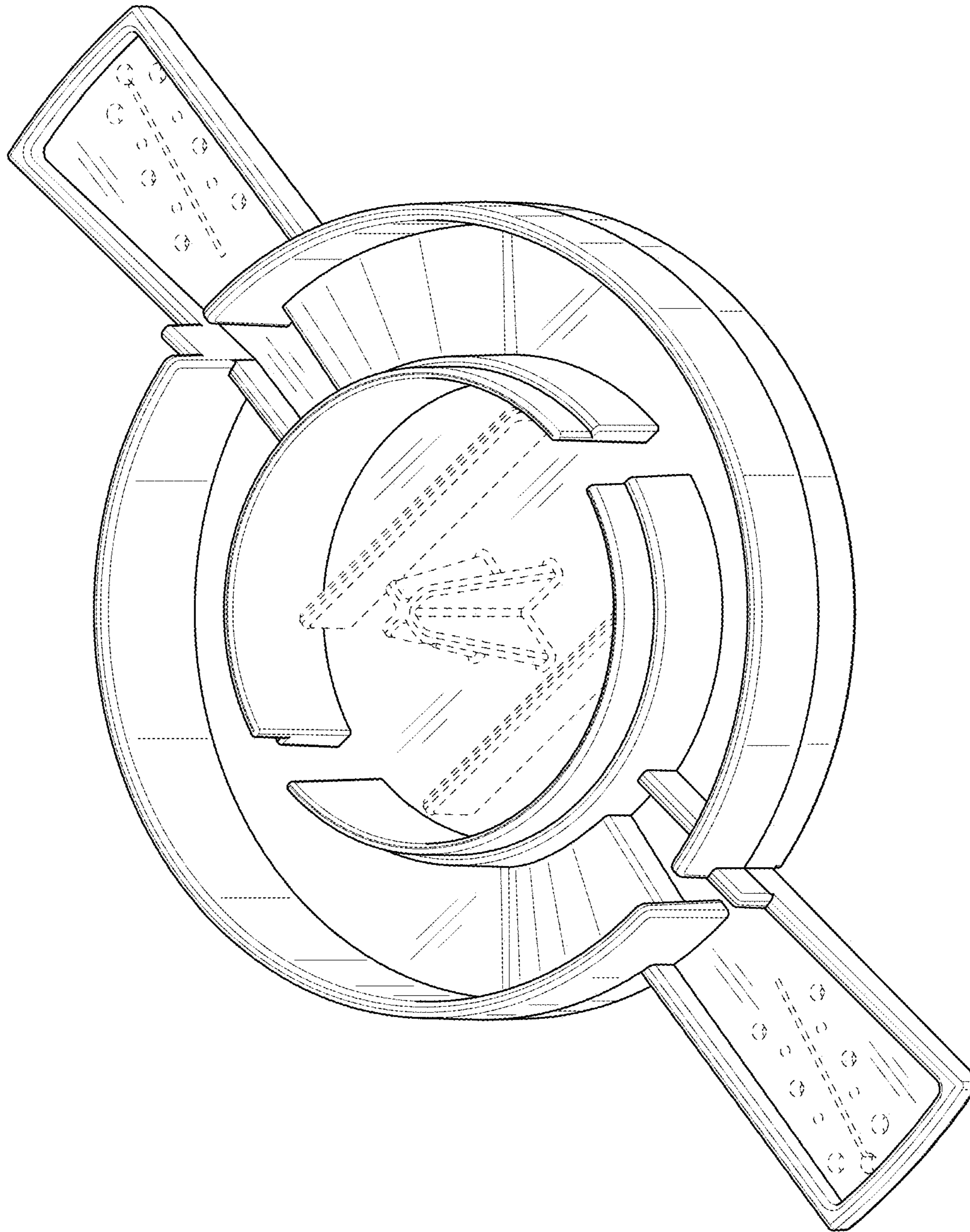


FIG. 2

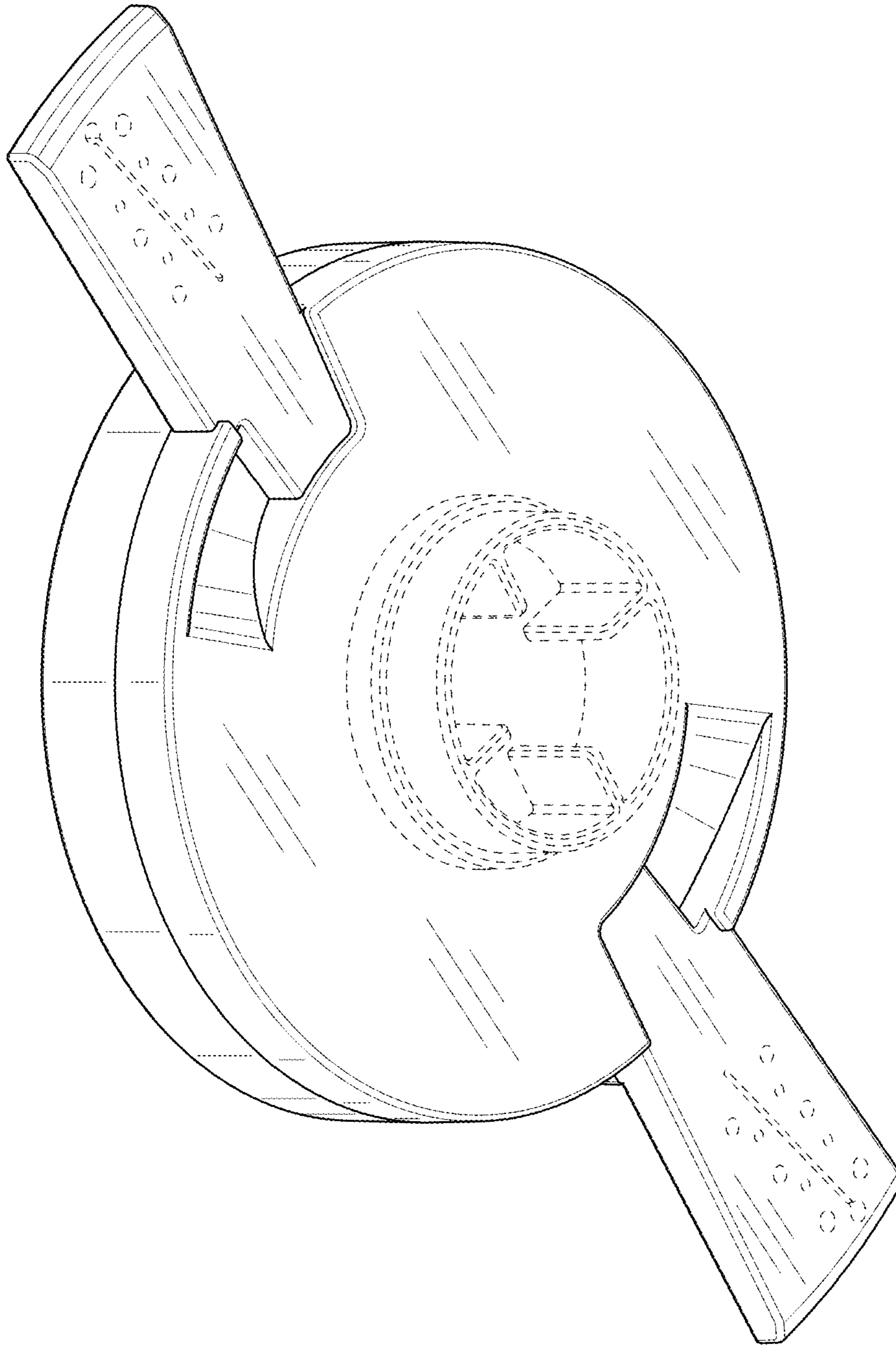


FIG. 3

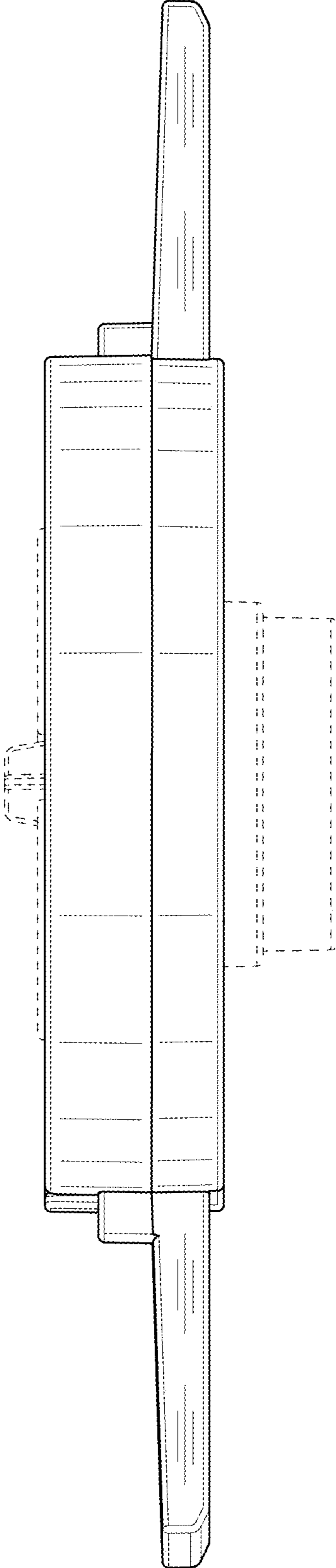


FIG. 4

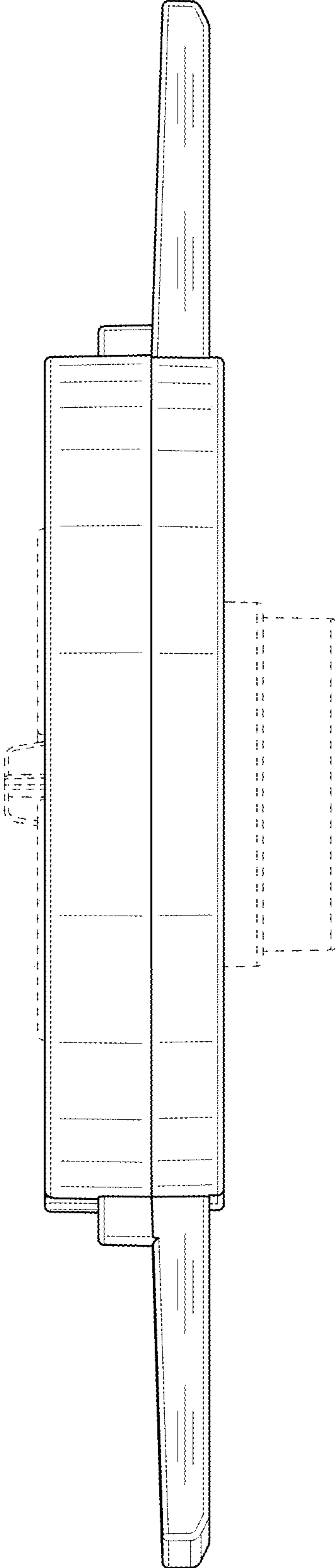


FIG. 5

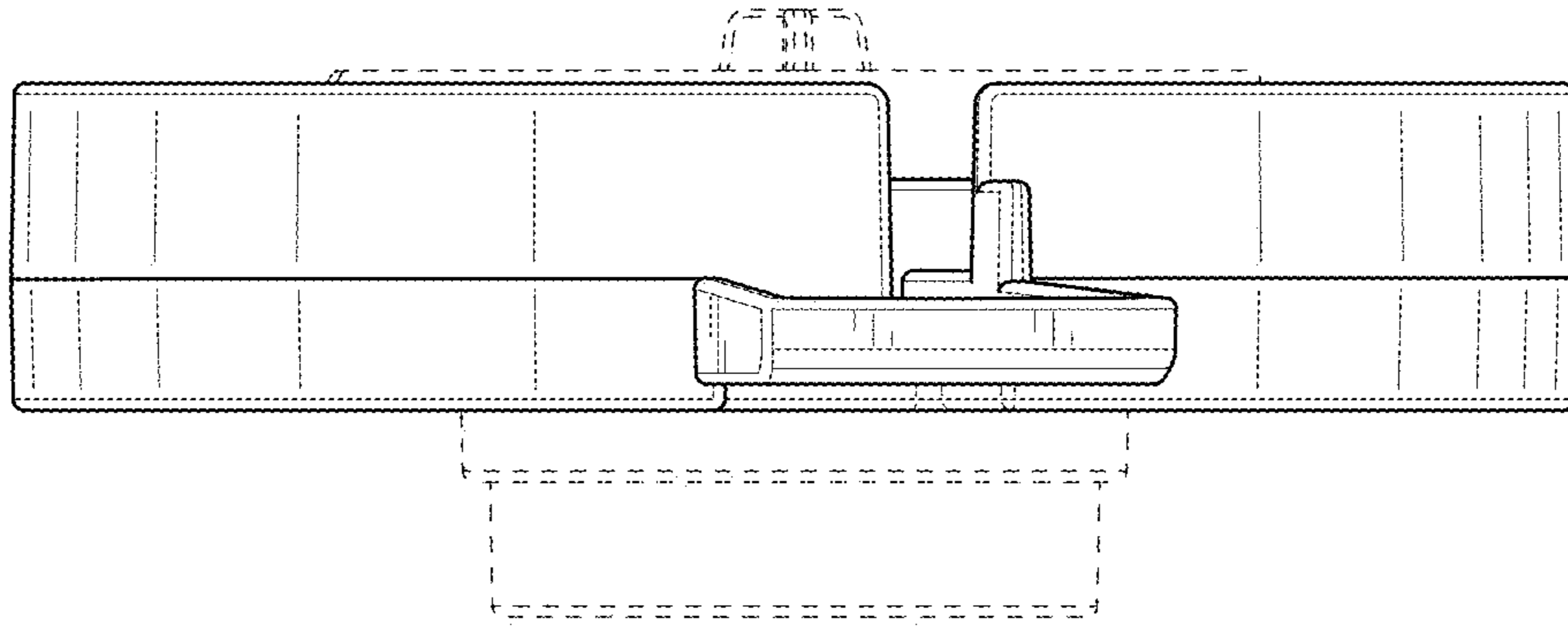


FIG. 6

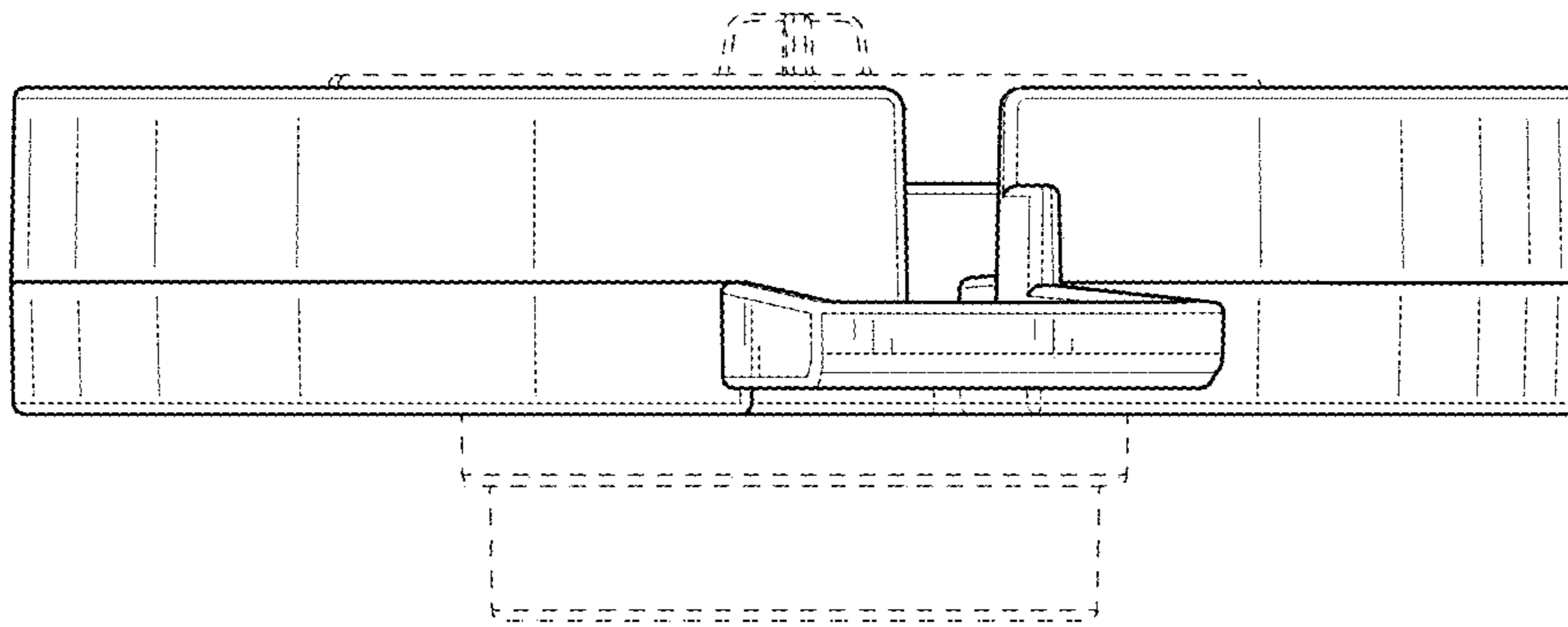


FIG. 7



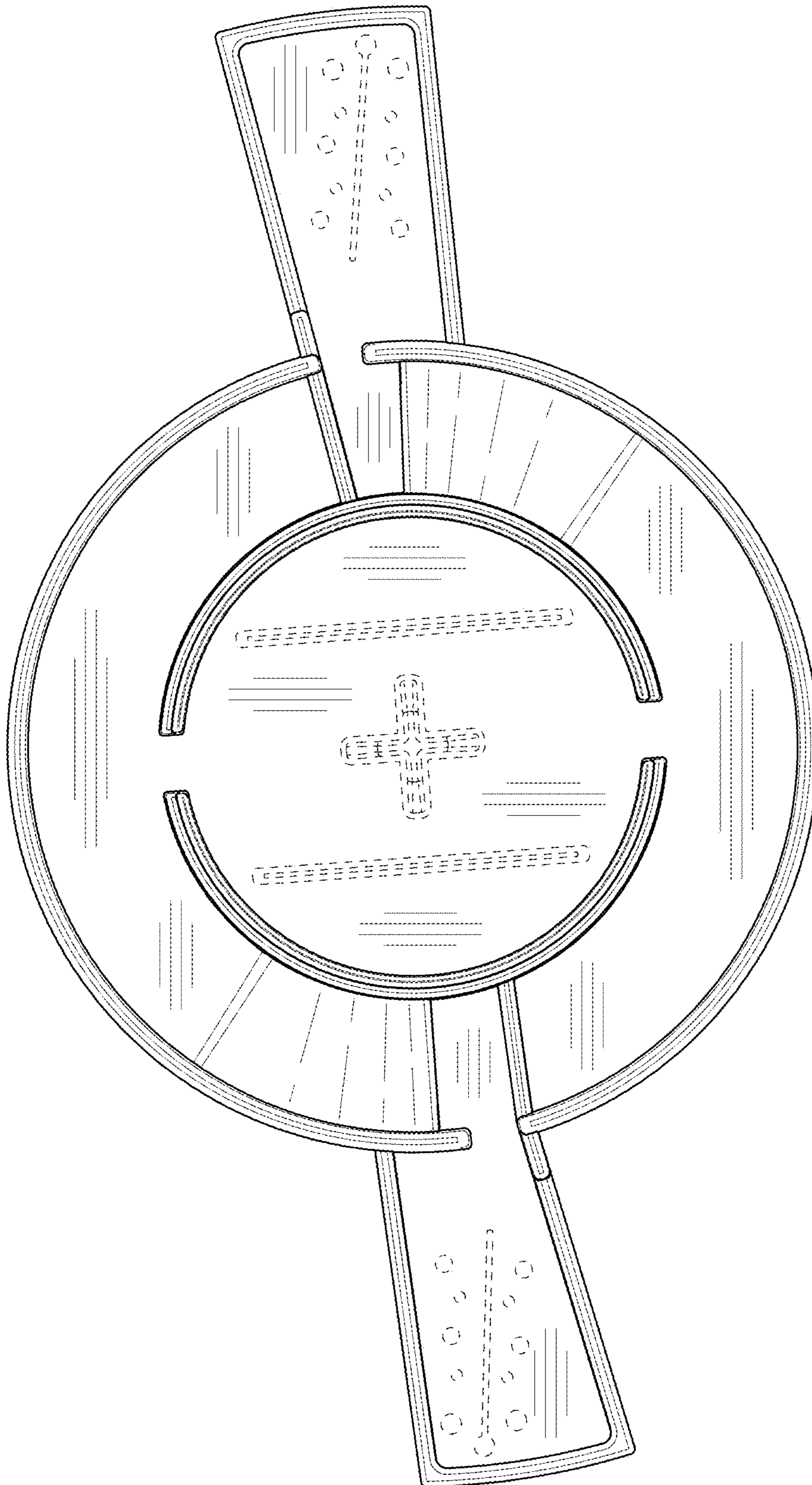


FIG. 8

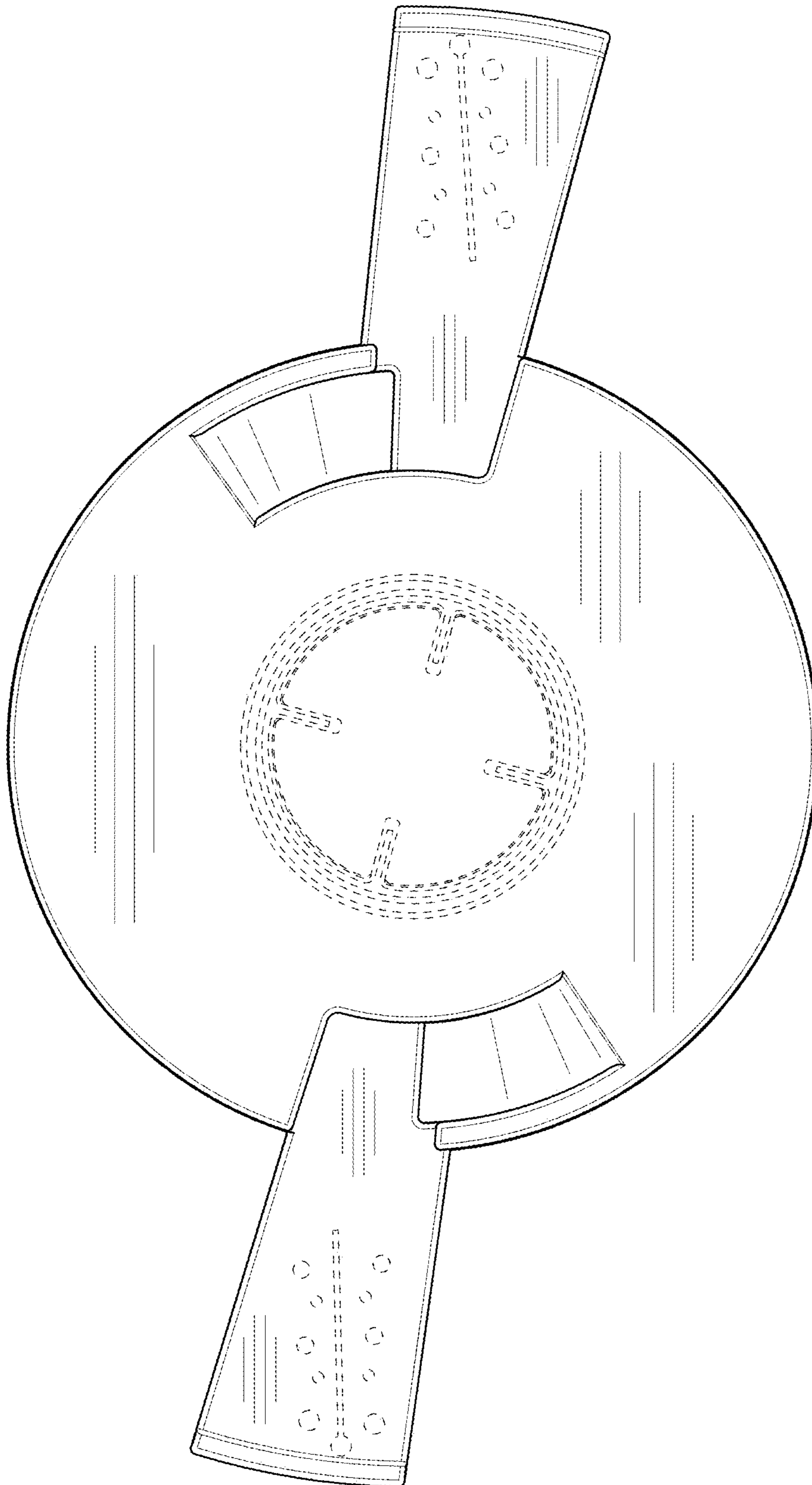


FIG. 9