



US00D948621S

(12) **United States Design Patent**  
**Jadeja**

(10) **Patent No.:** **US D948,621 S**  
(45) **Date of Patent:** **\*\* Apr. 12, 2022**

(54) **DISPLAY SET FOR AN ELECTRONIC GAMING MACHINE**

6,439,993 B1 8/2002 O'Halloran  
D481,078 S 10/2003 Stephan  
D508,719 S \* 8/2005 de Haas ..... D21/325

(Continued)

(71) Applicant: **Aristocrat Technologies Australia Pty Limited**, North Ryde (AU)

FOREIGN PATENT DOCUMENTS

(72) Inventor: **Rajendrasinh B. Jadeja**, Las Vegas, NV (US)

EM 000535752-0001 \* 7/2006  
JP D1589479 \* 10/2017

(73) Assignee: **Aristocrat Technologies Australia Pty Limited**, North Ryde (AU)

OTHER PUBLICATIONS

(\*\*) Term: **15 Years**

Aristocrat Helix, date not available, [retrieved Sep. 26, 2021], Retrieved from Internet, URL: <<https://www.prosperitygaming.eu/aristocrat-1/aristocrat-helix>> (Year: 2021).\*

(21) Appl. No.: **29/788,408**

(Continued)

(22) Filed: **May 18, 2021**

**Related U.S. Application Data**

(63) Continuation of application No. 29/673,951, filed on Dec. 18, 2018, now Pat. No. Des. 923,592.

(51) **LOC (13) Cl.** ..... **21-03**

(52) **U.S. Cl.**  
USPC ..... **D21/369**; D21/370

(58) **Field of Classification Search**  
USPC ... D14/125-137, 138 AA, 138 AB, 138 AC, D14/138 AD, 138 C, 138 G, 248, D14/315-318, 341-347, 371, 374; D6/308, 310; D10/50, 65, 98, 104.1; D18/6-7; D19/26, 59-60; D21/324, D21/329-330, 332, 369-370; D24/158, D24/160, 186

CPC .. H04M 1/0202; H04M 1/0266; H04M 1/725; G06F 1/1626

See application file for complete search history.

(56) **References Cited**

U.S. PATENT DOCUMENTS

D370,058 S 5/1996 Bostrom  
D415,124 S \* 10/1999 Rooyackers ..... D14/306

*Primary Examiner* — Barbara Fox

*Assistant Examiner* — Aram Kwon

(74) *Attorney, Agent, or Firm* — Weaver Austin Villeneuve & Sampson LLP

(57) **CLAIM**

The ornamental design for a display set for an electronic gaming machine, as shown and described.

**DESCRIPTION**

FIG. 1 is a front isometric view of a display set for an electronic gaming machine showing the new design;

FIG. 2 is a front view of FIG. 1.

FIG. 3 is a side view of FIG. 1.

FIG. 4 is an opposing side view (as compared to FIG. 3) of FIG. 1.

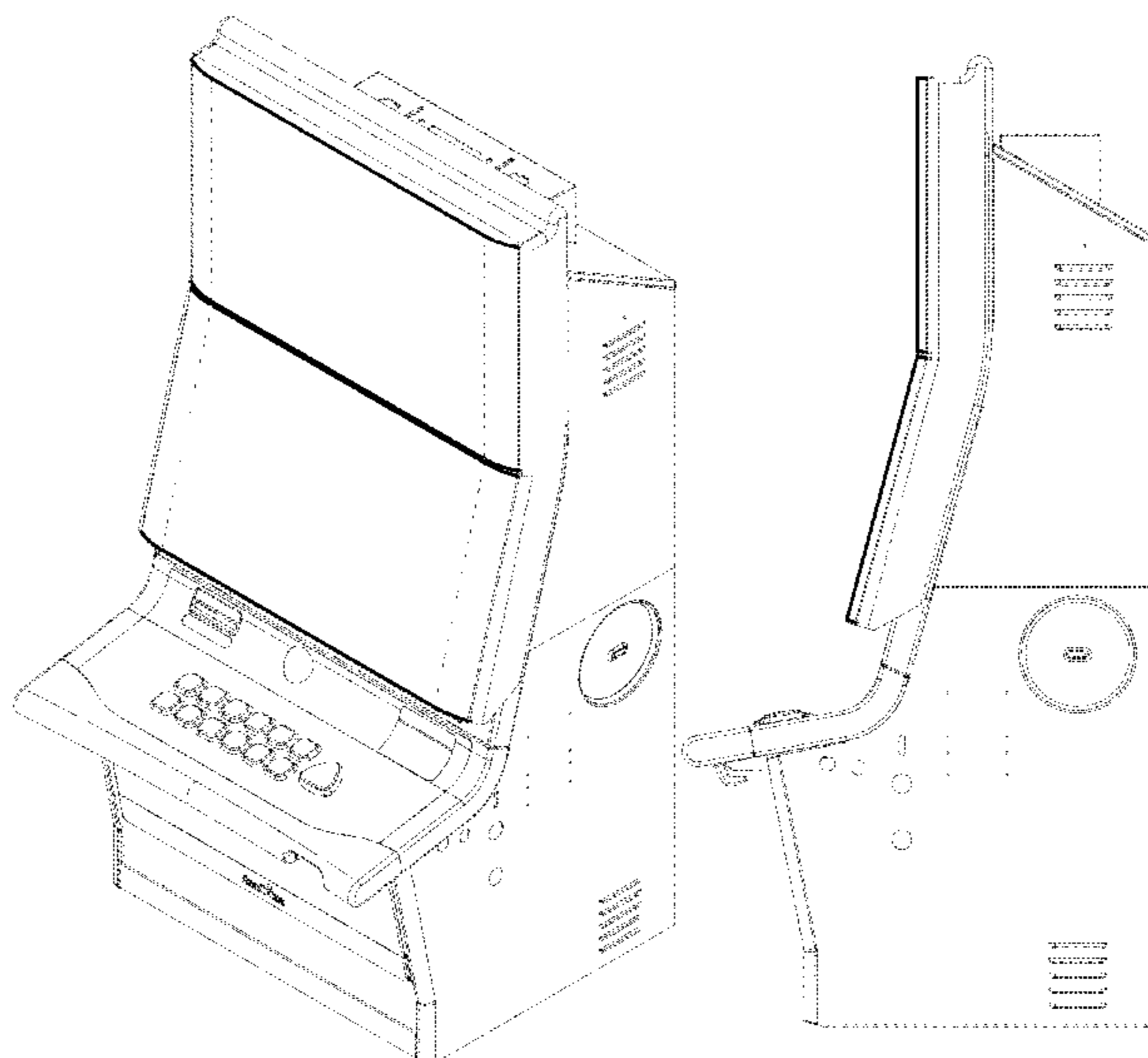
FIG. 5 is a top view of FIG. 1.

FIG. 6 is a rear view of FIG. 1; and,

FIG. 7 is a bottom view of FIG. 1.

The dash-dot lines seen in FIGS. 1, 2, and 5 indicate tangent edges. The remaining broken lines shown in the drawings depict portions of the display set for an electronic gaming machine that form no part of the claimed design.

**1 Claim, 7 Drawing Sheets**



(56)

References Cited

U.S. PATENT DOCUMENTS

D523,092 S *	6/2006	Karlsson	D21/329	D889,553 S	7/2020	Glenn, II	
7,364,505 B2	4/2008	Mattice		D890,849 S	7/2020	Johnson	
D572,314 S	7/2008	Vallejo		10,719,160 B2 *	7/2020	Lee	G06F 3/0414
7,396,282 B2	7/2008	Gauselmann		D893,628 S	8/2020	Thoeni	
D581,380 S *	11/2008	Derocher	D14/127	10,733,830 B2	8/2020	Jadeja	
D591,799 S *	5/2009	Yang	D14/307	D898,128 S	10/2020	Urban	
D596,678 S *	7/2009	Myers	D21/370	D900,088 S	10/2020	Aughney	
D605,231 S	12/2009	Hashimoto		10,839,639 B2	11/2020	Demarco	
D622,780 S *	8/2010	Lesley	D21/369	D904,522 S *	12/2020	Kim	D21/369
D622,781 S *	8/2010	Lesley	D21/369	D907,120 S	1/2021	Demarco	
7,985,139 B2	7/2011	Lind		D908,171 S *	1/2021	DeMarco	D21/369
8,128,483 B2	3/2012	Vann		D908,172 S *	1/2021	DeMarco	D21/369
D667,412 S	9/2012	Wang		D910,119 S *	2/2021	DeMarco	D21/369
8,442,600 B1	5/2013	Tseng		D913,378 S *	3/2021	Glenn, II	D21/369
D697,558 S	1/2014	Myers		D913,379 S *	3/2021	Calhoun Lewis	D21/369
D700,605 S	3/2014	Hong		D915,523 S *	4/2021	Glenn, II	D21/369
D714,270 S	9/2014	Lee		D918,303 S *	5/2021	DeMarco	D21/369
D714,875 S	10/2014	Wudtke		D920,439 S *	5/2021	Jadeja	D21/385
D719,116 S	12/2014	Bang		D920,440 S *	5/2021	Jadeja	D21/385
D719,615 S	12/2014	Inoue		D923,592 S *	6/2021	Jadeja	D14/126
D719,616 S	12/2014	Inoue		D926,889 S *	8/2021	Bruzzese	D21/369
8,951,121 B2	2/2015	Lyons		D931,377 S *	9/2021	McGahn	D21/370
D727,431 S	4/2015	Themann		2008/0186415 A1 *	8/2008	Boud	H04N 9/3185 348/744
D727,869 S	4/2015	Jarema, III		2008/0188293 A1 *	8/2008	Rasmussen	G07F 17/3211 463/25
D730,857 S	6/2015	Park		2009/0143141 A1	6/2009	Wells	
D732,520 S	6/2015	Themann		2010/0062838 A1	3/2010	Nguyen	
9,081,540 B1	7/2015	Cho		2011/0136573 A1 *	6/2011	McComb	A63F 13/90 463/31
D740,241 S	10/2015	Kim		2012/0004030 A1	1/2012	Kelly	
D740,887 S *	10/2015	Randazzo	D21/370	2013/0154971 A1	6/2013	Kang	
D744,990 S	12/2015	Lee		2013/0217491 A1	8/2013	Hilbert	
D748,082 S	1/2016	Lee		2013/0296057 A1	11/2013	Gagner	
9,256,250 B2	2/2016	Raff		2013/0331184 A1	12/2013	Kelly	
9,367,095 B2	6/2016	Myers		2014/0035869 A1	2/2014	Il-Kook	
D760,846 S *	7/2016	Castro	D21/385	2014/0357364 A1 *	12/2014	Chudek	G07F 17/3211 463/31
9,478,097 B2	10/2016	Hennessy		2015/0087403 A1 *	3/2015	Castro	G07F 17/3209 463/25
9,504,170 B2	11/2016	Rothkopf		2015/0168792 A1	6/2015	Woo	
D778,365 S	2/2017	Kott		2016/0048031 A1	2/2016	Gu	
9,614,168 B2	4/2017	Zhang		2016/0055703 A1	2/2016	Woels	
D801,435 S *	10/2017	Themann	D21/369	2016/0062391 A1	3/2016	Choi	
D808,354 S *	1/2018	Castro	D14/127	2016/0093143 A1	3/2016	Lamb	
D818,048 S *	5/2018	Calhoun	D21/369	2016/0187122 A1	6/2016	Krimon	
D836,164 S *	12/2018	Castro	D21/369	2016/0274719 A1	9/2016	Yang	
10,203,433 B2	2/2019	Yoon		2016/0316541 A1	10/2016	Ka	
D842,932 S	3/2019	Stair		2016/0352878 A1	12/2016	Kim	
D843,466 S	3/2019	Castro		2016/0364941 A1	12/2016	Castro	
D843,477 S	3/2019	Lesley		2016/0364946 A1 *	12/2016	Castro	G02B 6/0096
D843,482 S *	3/2019	Holland	D21/396	2017/0039803 A1 *	2/2017	Lesley	G07F 17/3216
D844,062 S	3/2019	Lesley		2017/0092052 A1	3/2017	McKay	
D846,650 S	4/2019	Stair		2017/0118849 A1	4/2017	Kim	
D847,109 S	4/2019	Kang		2017/0118850 A1	4/2017	Kwon	
10,303,218 B2	5/2019	Jones		2017/0153671 A1	6/2017	Yamazaki	
10,306,783 B2	5/2019	Seo		2017/0178444 A1	6/2017	Lee	
D850,536 S *	6/2019	Stair	D21/370	2017/0315589 A1	11/2017	Isa	
D858,641 S	9/2019	Legras		2018/0018907 A1	1/2018	Kim	
D858,642 S	9/2019	Legras		2018/0078854 A1 *	3/2018	Achmueller	G07F 17/3206
D862,295 S	10/2019	Kim		2018/0136750 A1 *	5/2018	Namkung	G06F 1/1626
D863,122 S	10/2019	Cha		2018/0143669 A1 *	5/2018	Bok	G06F 3/0446
D865,066 S	10/2019	Ortiz De Viveiros		2018/0188874 A1 *	7/2018	Cho	G06F 3/0447
D866,667 S *	11/2019	Stair	D21/369	2018/0270975 A1	9/2018	Ishikawa	
D868,165 S	11/2019	Ortiz De Viveiros		2018/0276942 A1 *	9/2018	Whelan	G07F 17/3216
D870,818 S	12/2019	Curbbun		2018/0342129 A1 *	11/2018	Wudtke	G07F 17/3211
D870,820 S *	12/2019	Urban	D21/369	2019/0066433 A1	2/2019	Jadeja	
D871,506 S	12/2019	Castro		2019/0096169 A1	3/2019	Tovar	
D871,507 S *	12/2019	Urban	D21/369	2019/0102971 A1 *	4/2019	Schoonmaker	F16M 11/06
D873,273 S	1/2020	Guacho		2019/0102975 A1	4/2019	Lapalme	
D882,696 S	4/2020	Lesley		2019/0150332 A1	5/2019	Son	
D882,697 S	4/2020	Lesley		2019/0273217 A1	9/2019	Lee	
D882,699 S	4/2020	Bernard		2019/0302849 A1	10/2019	Lee	
D882,700 S	4/2020	Wudtke		2019/0392672 A1 *	12/2019	Idris	G07F 17/3209
D883,391 S *	5/2020	Urban	D21/369	2020/0042137 A1	2/2020	Kano	
D883,393 S	5/2020	Bernard		2020/0111285 A1 *	4/2020	Phillips, Jr.	G07F 17/3216
10,665,646 B2	5/2020	Yang		2020/0111328 A1 *	4/2020	Bland	G07F 17/3213
D887,496 S *	6/2020	Urban	D21/370				
D889,545 S *	7/2020	Jones	D21/325				
D889,547 S *	7/2020	Jones	D21/326				

(56)

**References Cited**

## U.S. PATENT DOCUMENTS

2020/0133331 A1 4/2020 Ferris  
 2021/0027574 A1\* 1/2021 Rodriguez ..... G07F 17/34

## OTHER PUBLICATIONS

Aristocrat Introduces All-New Buffalo Grand Slot Machine, Aug. 3, 2015, [retrieved Sep. 26, 2021], Retrieved from Internet, URL: <<https://www.vegasnews.com/139410/aristocrat-introduces-all-new-buffalo-grand-slot-machine.html>> (Year: 2015).\*

Aristocrat Leisure Hopes Its Bets Pay Off, Aug. 25, 2013, [retrieved Sep. 26, 2021], Retrieved from Internet, URL: <<https://www.wsj.com/articles/SB10001424127887323665504579028420024314700>> (Year: 2013).\*

Aristocrat's Dragon Link™ Showing Much Eastern and Western Promise, Jan. 31, 2018, [retrieved Sep. 26, 2021], Retrieved from Internet, URL: <<https://www.casinolifemagazine.com/news/aristocrat%E2%80%99s-dragon-link%E2%84%A2-showing-much-eastern-and-western-promise>> (Year: 2018).\*

Aristocrat's All-new Edge X™, Jul. 3, 2019, [retrieved Sep. 26, 2021], Retrieved from Internet, URL: <<https://markets.businessinsider.com/news/stocks/aristocrat-s-all-new-edge-x-cabinet-now-appearing-in-casinos-nationwide-with-launch-titles-farmville%E2%80%A6>> (Year: 2019).\*

Helix slant cabinet—Aristocrat Leisure Ltd, May 13, 2014, [retrieved Sep. 26, 2021], Retrieved from Internet, URL: <<https://www.ggrasia.com/helix-slant-cabinet-aristocrat-leisure-ltd/>> (Year: 2014).\*

U.S. Office Action dated Apr. 30, 2020 for U.S. Appl. No. 29/673,951 (pp. 1-12).

LG OLED displays to feature smartphone style curved edges?, (C) 2019 [online], [retrieved Apr. 16, 2020], Retrieved from internet, URL: <<https://www.avforums.com/news/lg-oled-displays-to-feature-smartphone-style-curved-edges.16774>> (Year 2019).

Oppo shows off 'waterfall screen' phone with ultra-curved edges, (C) 2019 [online], [retrieved Apr. 16, 2020], Retrieved from internet, URL: <https://www.theverge.com/circuitbreaker/2019/7/29/8934593/oppo-waterfall-display-phone-curved-screen-announced> (Year: 2019).

Office Action dated Nov. 1, 2019, for U.S. Appl. No. 16/209,900 (pp. 1-14).

Office Action dated Jan. 10, 2020, for U.S. Appl. No. 16/224,661 (pp. 1-16).

Notice of Allowance dated Apr. 22, 2020 for U.S. Appl. No. 16/209,900 (pp. 1-11).

Notice of Allowance dated Apr. 20, 2020 for U.S. Appl. No. 16/224,661 (pp. 1-8).

Office Action dated Jul. 24, 2020 for U.S. Appl. No. 29/673,951 (pp. 1-9).

Notice of Allowance dated Jun. 24, 2020 for U.S. Appl. No. 16/224,661 (pp. 1-5).

Corrected Notice of Allowability dated Jul. 1, 2020 for U.S. Appl. No. 16/209,900 (pp. 1-2).

Office Action dated Jan. 25, 2021 for U.S. Appl. No. 29/673,951 (pp. 1-9).

Aristocrat Helix, date not available, [retrieved Jan. 7, 2021], Retrieved from Internet, URL: <<https://www.prosperitygaming.eu/aristocrat-1/aristocrat-helix>> (Year: 2020).

Helix X, date not available, [retrieved Jan. 7, 2021], Retrieved from Internet, URL: <<https://www.aristocrat.com/anz/products-services/cabinets/#helix-x>> (Year: 2020).

Helix slant slot cabinets—Aristocrat Technologies, May 22, 2014, [retrieved Jan. 7, 2021], Retrieved from Internet, URL: <<https://www.casinojournal.com/articles/88977-helix-slant-slot-cabinets-aristocrat-technologies>> (Year: 2014).

Notice of Allowance dated Apr. 6, 2021 for U.S. Appl. No. 29/673,951 (pp. 1-8).

Notice of Allowance dated Mar. 8, 2021 for U.S. Appl. No. 29/672,326 (pp. 1-6).

Notice of Allowance dated Mar. 8, 2021 for U.S. Appl. No. 29/672,327 (pp. 1-6).

Notice of Allowance dated Mar. 17, 2021 for U.S. Appl. No. 29/672,329 (pp. 1-6).

Corrected Notice of Allowability dated Apr. 27, 2021 for U.S. Appl. No. 29/672,326 (pp. 1-2).

Corrected Notice of Allowability dated Apr. 27, 2021 for U.S. Appl. No. 29/672,327 (pp. 1-2).

Corrected Notice of Allowability dated Apr. 27, 2021 for U.S. Appl. No. 29/672,329 (pp. 1-2).

Corrected Notice of Allowability dated May 26, 2021 for U.S. Appl. No. 29/673,951 (pp. 1-4).

Office Action dated Oct. 28, 2020 for U.S. Appl. No. 29/672,326 (pp. 1-7).

Office Action dated Oct. 28, 2020 for U.S. Appl. No. 29/672,327 (pp. 1-7).

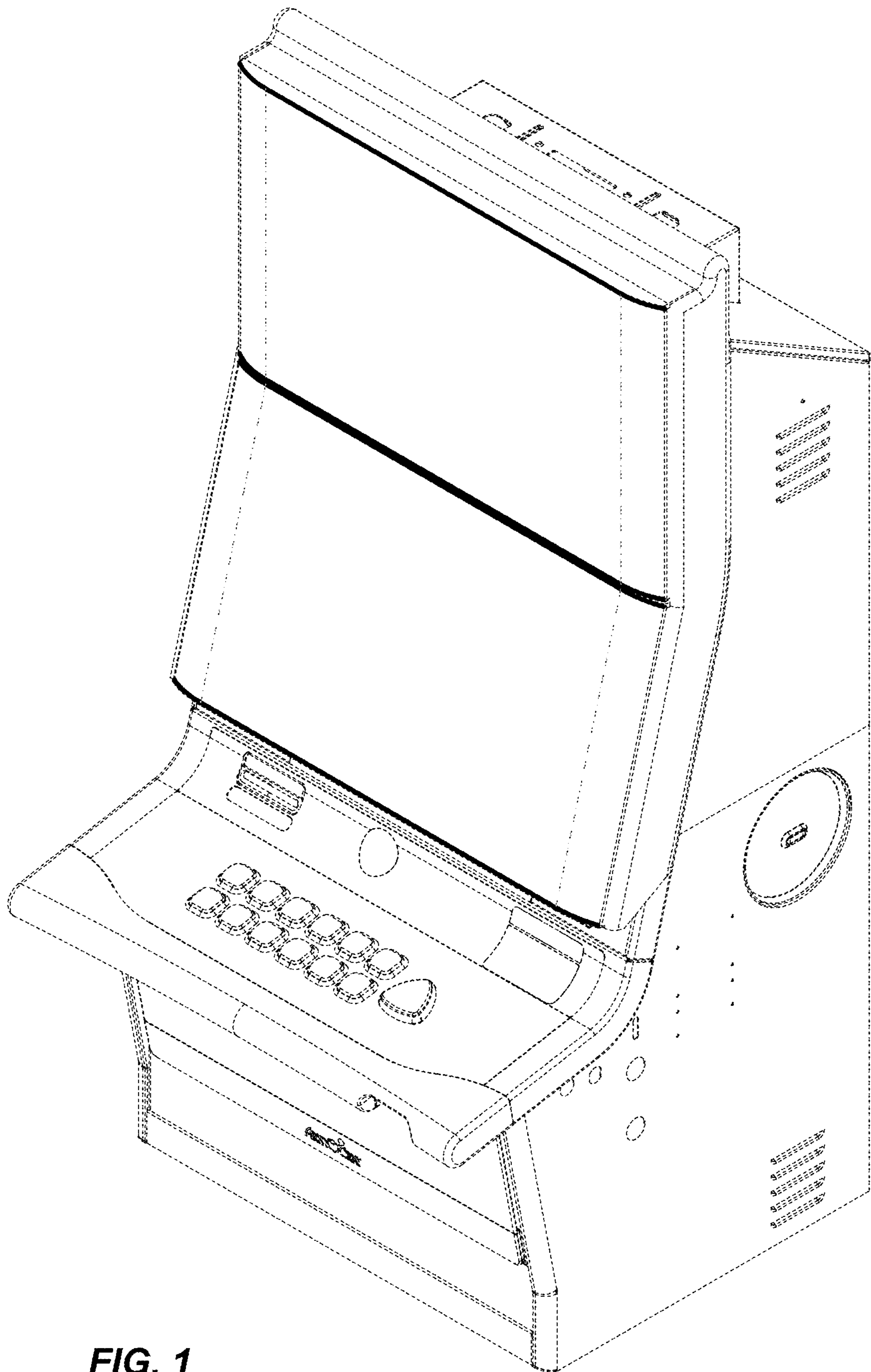
Office Action dated Oct. 28, 2020 for U.S. Appl. No. 29/672,329 (pp. 1-7).

Notice of Allowance dated Jan. 8, 2021 for U.S. Appl. No. 29/672,326 (pp. 1-5).

Notice of Allowance dated Jan. 11, 2021 for U.S. Appl. No. 29/672,327 (pp. 1-5).

Notice of Allowance dated Jan. 8, 2021 for U.S. Appl. No. 29/672,329 (pp. 1-5).

\* cited by examiner



**FIG. 1**

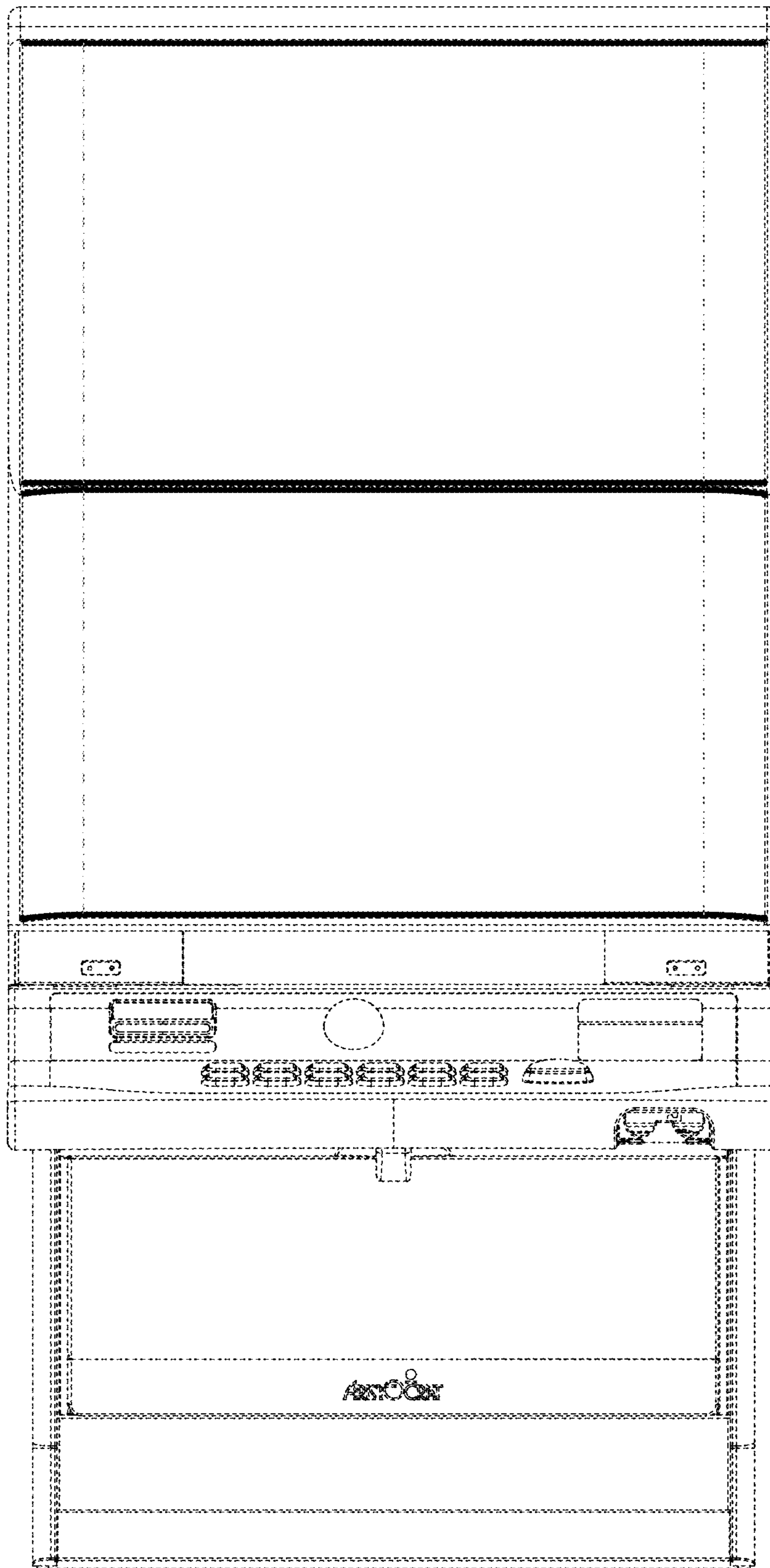
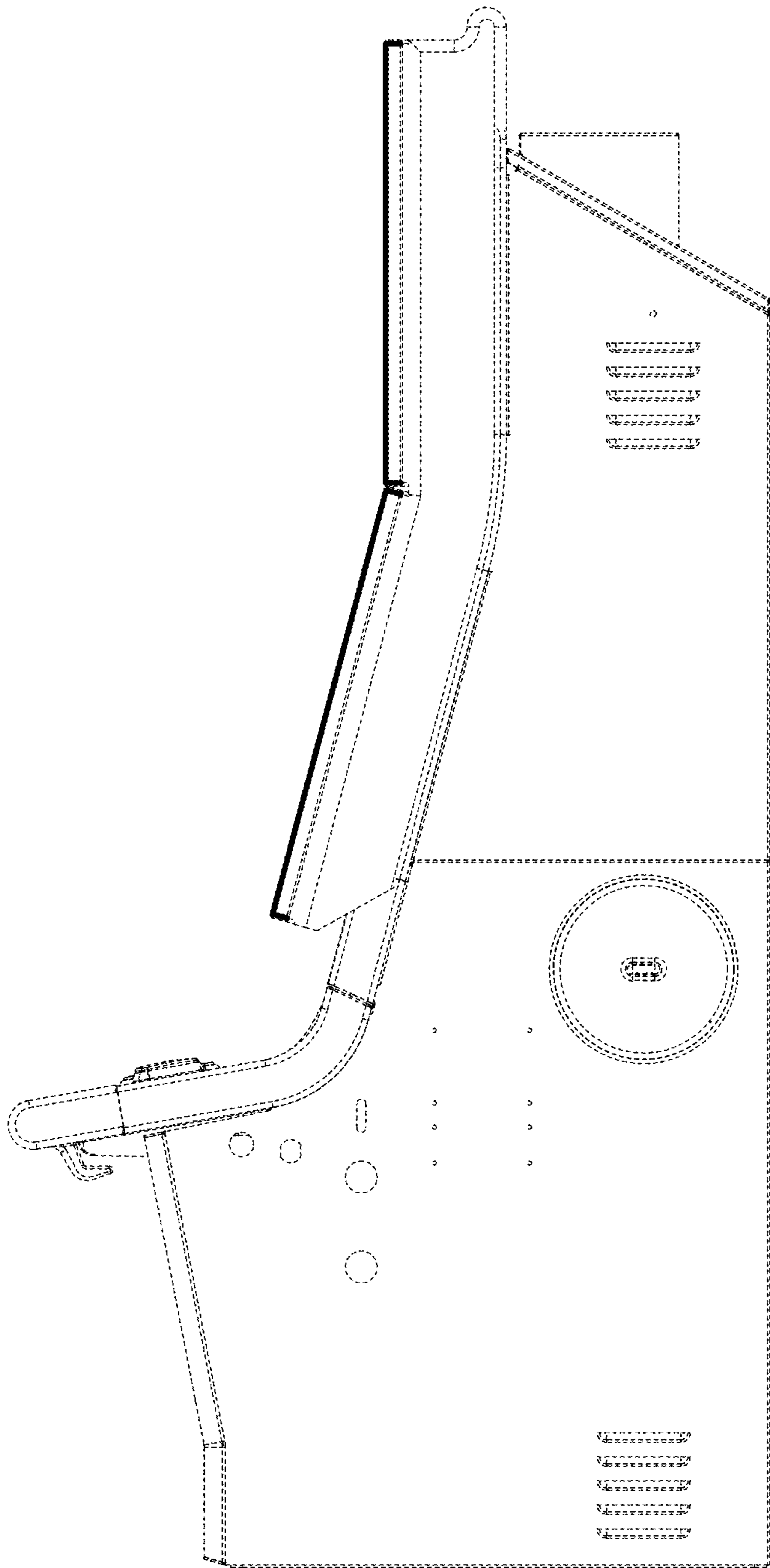
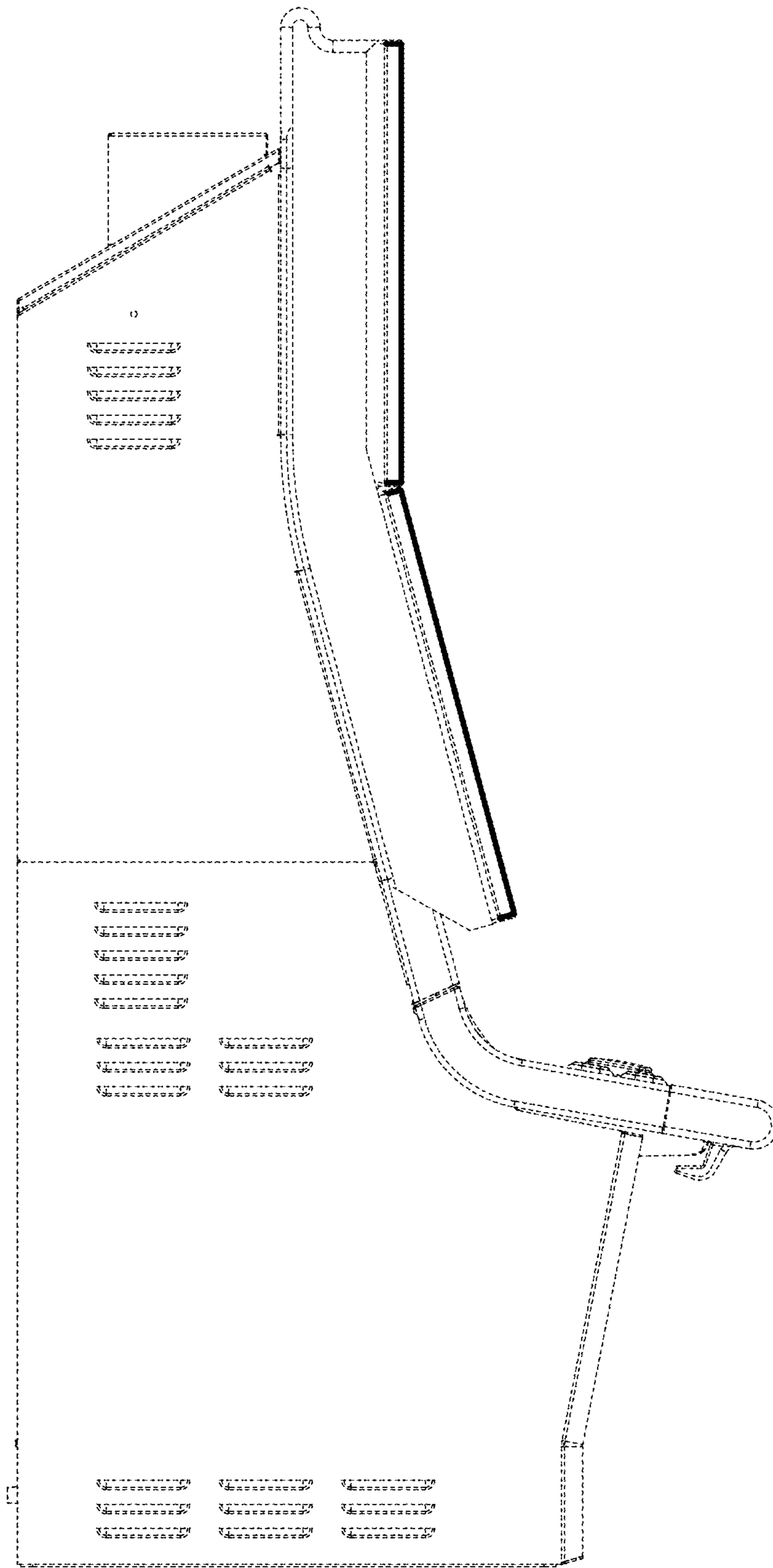


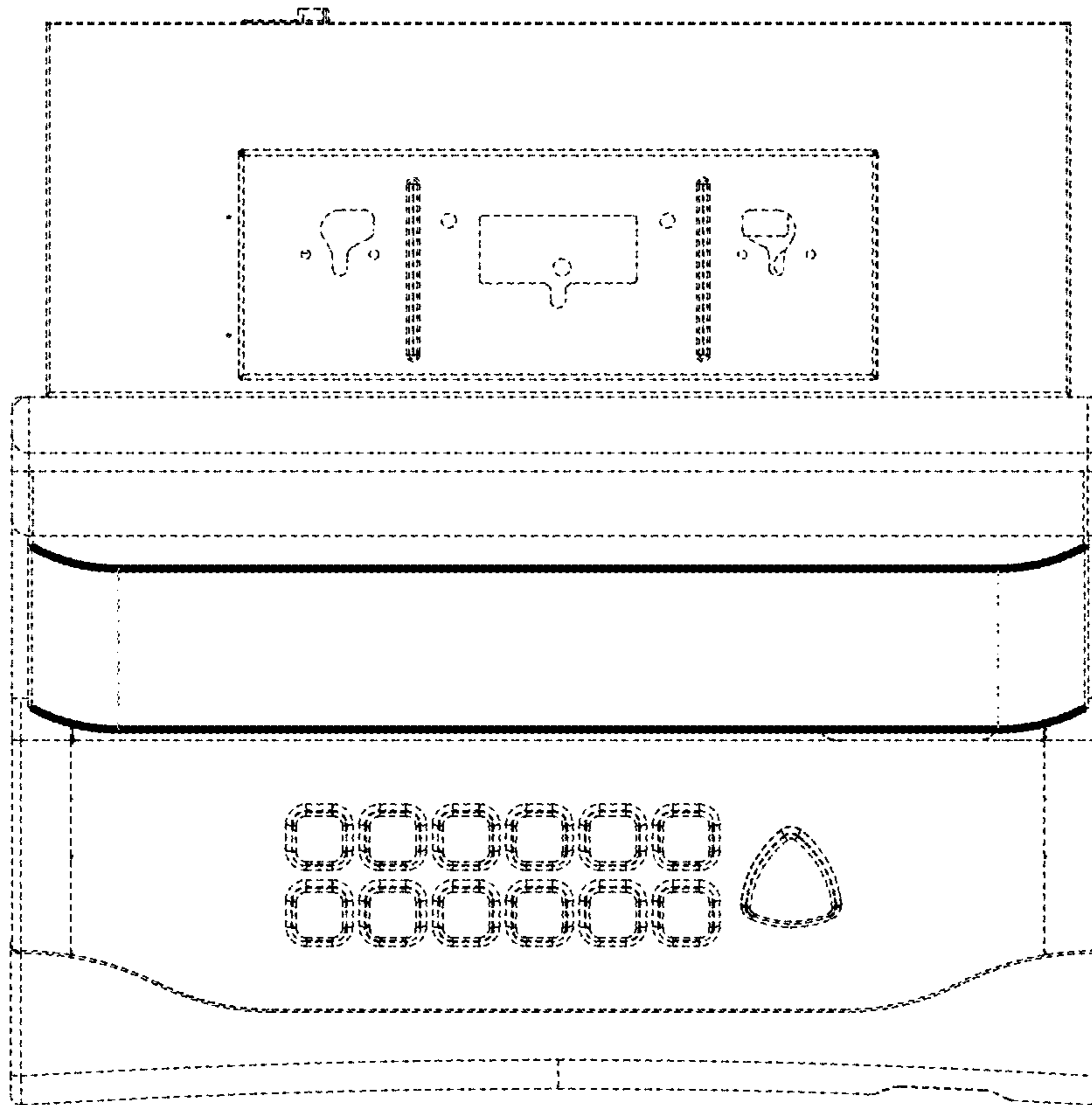
FIG. 2



**FIG. 3**

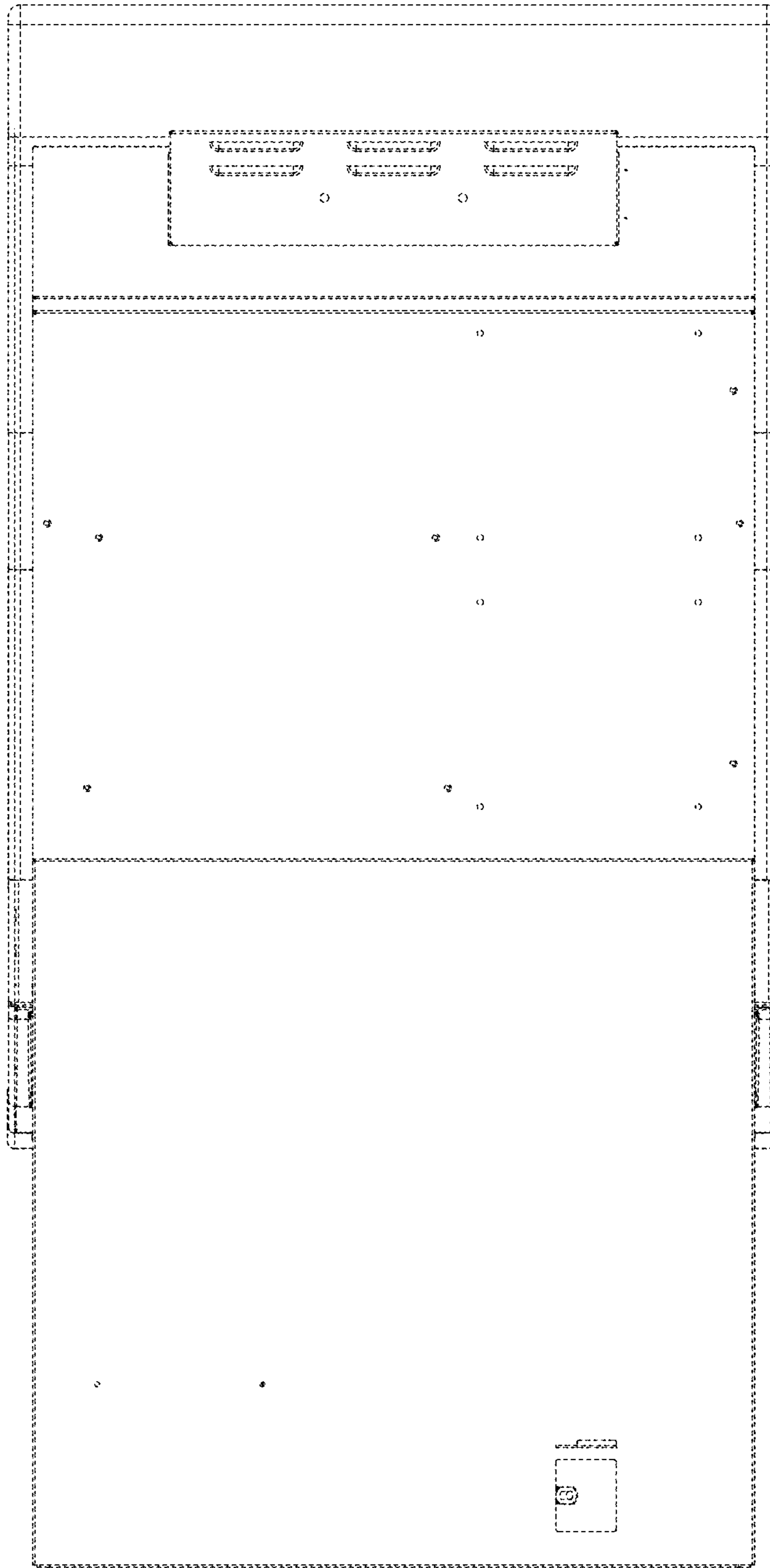


**FIG. 4**

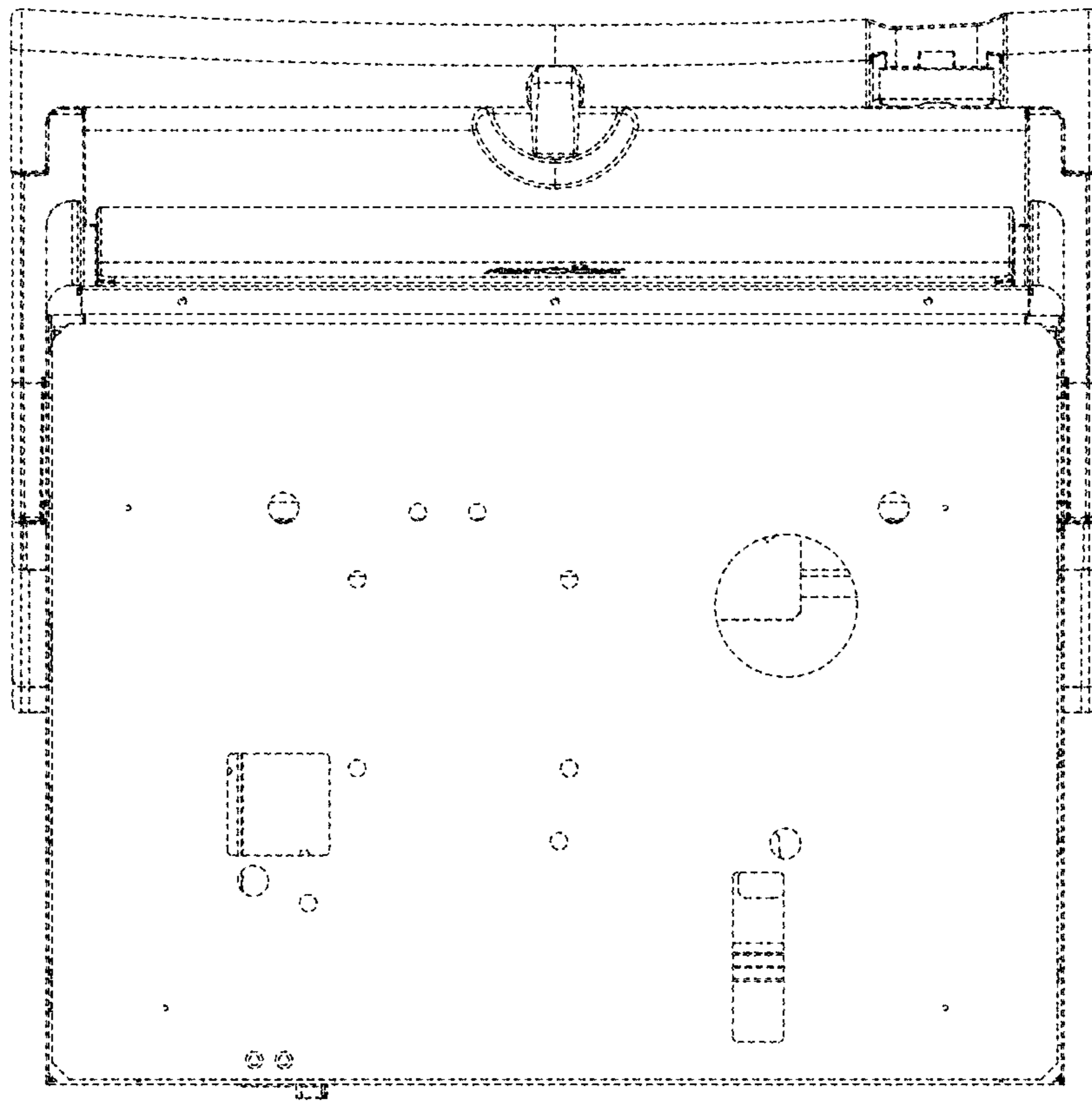


**FIG. 5**





**FIG. 6**



**FIG. 7**