

US00D948620S

(12) **United States Design Patent** (10) **Patent No.:** **US D948,620 S**
Berry et al. (45) **Date of Patent:** **** Apr. 12, 2022**

(54) **GAMING MACHINE**

(56) **References Cited**

(71) Applicant: **ARISTOCRAT TECHNOLOGIES AUSTRALIA PTY LIMITED**, North Ryde (AU)

U.S. PATENT DOCUMENTS

D352,738 S * 11/1994 Anghelo D21/325
D460,496 S * 7/2002 Cole D21/325
6,729,618 B1 * 5/2004 Koenig G07F 17/32
273/138.2
D498,267 S * 11/2004 Crouch D21/370

(Continued)

(72) Inventors: **Michael Berry**, Nashville, TN (US); **Timothy Francis Barbour**, Nolensville, TN (US); **Bruce Edward Urban**, Las Vegas, NV (US); **Daniel Harden**, Palo Alto, CA (US); **Hiroto Teranishi**, San Jose, CA (US); **Jase Ruggles**, Chicago, IL (US); **Cheng-Fu Hsieh**, Palo Alto, CA (US); **Ariel David Turgel**, San Francisco, CA (US)

OTHER PUBLICATIONS

Interblock by Interblock dated no date given. Found online [Sep. 29, 2021] <https://www.interblockgaming.com/product/starbar/starbar/>.*

(Continued)

(73) Assignee: **ARISTOCRAT TECHNOLOGIES AUSTRALIA PTY LIMITED**, North Ryde (AU)

Primary Examiner — Ryan Harvey

(74) *Attorney, Agent, or Firm* — Armstrong Teasdale LLP

(**) Term: **15 Years**

(57) **CLAIM**

(21) Appl. No.: **29/665,593**

We claim the ornamental design for a gaming machine, as shown and described.

(22) Filed: **Oct. 4, 2018**

DESCRIPTION

(51) **LOC (13) Cl.** **21-01**

(52) **U.S. Cl.**
USPC **D21/369**

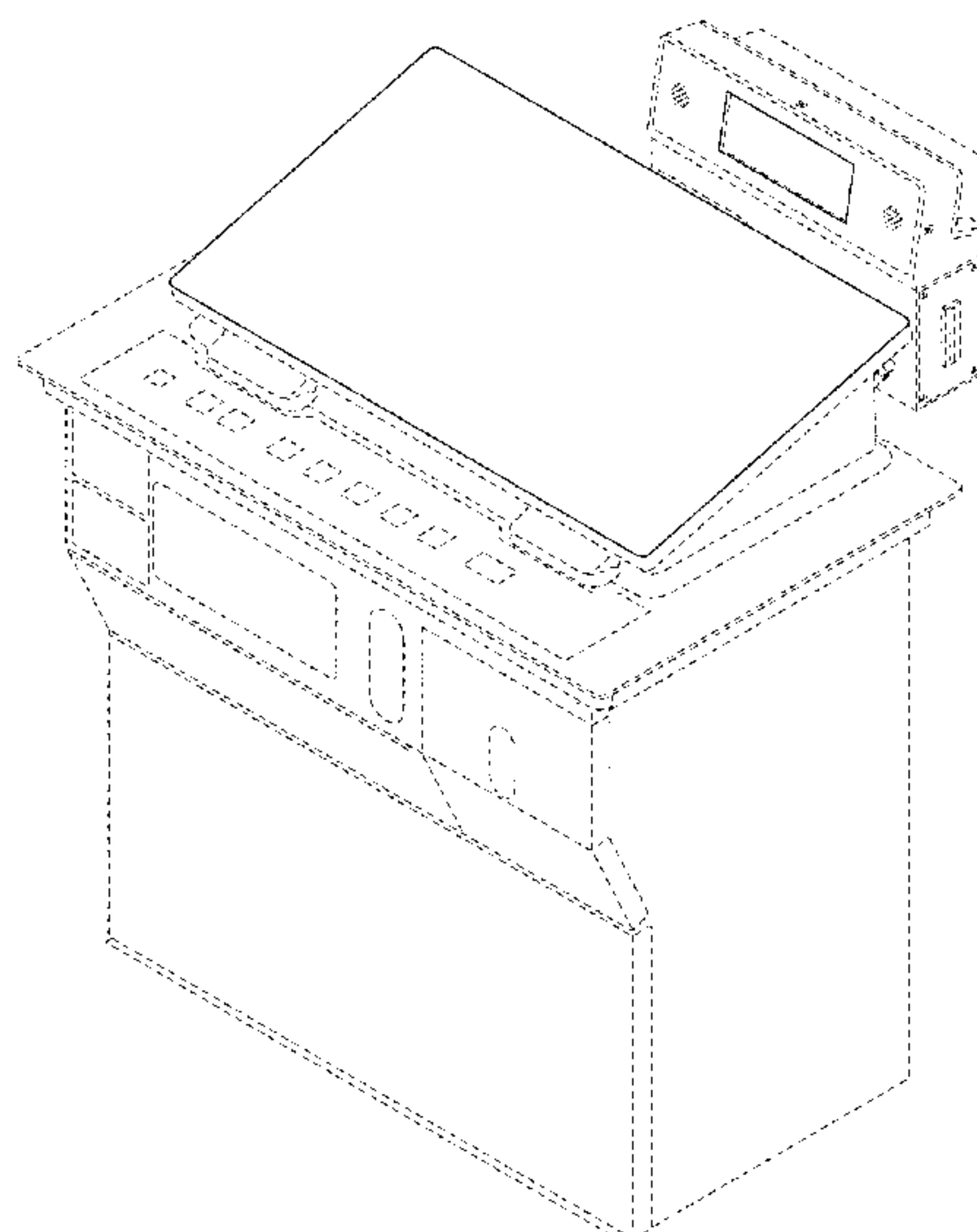
(58) **Field of Classification Search**
USPC D21/369, 397, 385, 370, 329, 325, 326;
D14/374, 341, 307, 173, 140.8, 138 R,
D14/127, 486, 172, 107; D13/107;
463/31, 25, 23, 20
CPC .. G07F 17/3211; G07F 17/32; G07F 17/3213;
G07F 17/34; G07F 17/3267; G07F
17/3202; G07F 17/3262; G07F 17/3286;
G07F 17/3272; G07F 17/3216; G07F
17/322; G07F 17/3209; G07F 17/3244;
G07F 17/3227; A63F 9/0406; A63F
5/045; A63F 3/00157; A63F 5/02; A63F
13/25; A63F 13/20

FIG. 1 is a front perspective view of a gaming machine showing our new design;
FIG. 2 is a front view of the gaming machine shown in FIG. 1;
FIG. 3 is a right side view of the gaming machine shown in FIG. 1;
FIG. 4 is a left side view of the gaming machine shown in FIG. 1;
FIG. 5 is a top view of the gaming machine shown in FIG. 1; and,
FIG. 6 is a bottom view of the gaming machine shown in FIG. 1.

In these drawings, broken lines illustrate unclaimed environmental features and form no part of the claimed design.

See application file for complete search history.

1 Claim, 4 Drawing Sheets



(56)

References Cited

U.S. PATENT DOCUMENTS

6,832,957 B2 * 12/2004 Falconer G07F 17/34
463/20
D513,626 S * 1/2006 Boyd D21/369
D513,627 S * 1/2006 Martin D21/369
D515,145 S * 2/2006 Martin D21/369
D525,664 S * 7/2006 Cole D21/369
D635,198 S * 3/2011 Antonopoulos G07F 9/0235
D21/369
D641,047 S * 7/2011 Tahara D21/325
D642,628 S * 8/2011 Plakas D21/369
D673,621 S * 1/2013 Johnson D21/369
D675,609 S * 2/2013 Ono D14/307
D678,955 S * 3/2013 Lesley D21/385
D678,956 S * 3/2013 Lesley D21/385
D678,957 S * 3/2013 Cesaroni D21/385
D678,958 S * 3/2013 Cesaroni D21/385
D681,130 S * 4/2013 Lesley D21/385
D682,948 S * 5/2013 Cesaroni D21/385
D691,666 S * 10/2013 Lesley D21/370
D693,343 S * 11/2013 Haller D14/374
D696,658 S * 12/2013 Winston D14/307
8,613,663 B2 * 12/2013 Harvey G07F 17/32
463/31
8,721,436 B2 * 5/2014 Hamlin G07F 17/3244
463/25
D716,246 S * 10/2014 Yun D14/138 R
D723,626 S * 3/2015 Vasquez D21/370
D732,015 S * 6/2015 Alekhin D14/307
D761,918 S * 7/2016 Kelly D21/397
D762,778 S * 8/2016 Knesek D21/325
D772,838 S * 11/2016 Tooker D14/173
9,569,936 B2 * 2/2017 Mastropietro G07F 17/3225
D783,596 S * 4/2017 Payne D14/307
9,704,337 B2 * 7/2017 Riggs G07F 17/3258
D807,424 S * 1/2018 Chang D18/4.4
D808,467 S * 1/2018 Huang D21/369
9,858,751 B2 * 1/2018 Bytnar G07F 17/3209
D813,313 S * 3/2018 Bussey D21/369
D816,077 S * 4/2018 Benic D14/307
D826,338 S * 8/2018 Bussey D21/369
D833,534 S * 11/2018 Lee D21/369
D834,652 S * 11/2018 Lee D21/369
D835,093 S * 12/2018 Lowenstein D14/307
D842,929 S * 3/2019 Hung D21/325
D843,471 S * 3/2019 Castro D21/369
D843,472 S * 3/2019 Castro D21/369
D847,905 S * 5/2019 Lewis D21/369
D849,149 S * 5/2019 Bussey D21/369
D849,150 S * 5/2019 Gallagher D21/369
D850,438 S * 6/2019 Koenigsknecht D14/307
D853,346 S * 7/2019 Jang D14/140.8
10,445,972 B2 * 10/2019 Pellegrini G07F 17/3216
D866,666 S * 11/2019 Ditton D21/369

D866,668 S * 11/2019 Ditton D21/369
D867,461 S * 11/2019 Huang D21/369
D868,714 S * 12/2019 Hodgson D14/127
D868,715 S * 12/2019 Hodgson D14/127
D868,716 S * 12/2019 Hodgson D14/127
D868,717 S * 12/2019 Hodgson D14/127
D868,718 S * 12/2019 Hodgson D14/127
D868,719 S * 12/2019 Hodgson D14/127
D870,721 S * 12/2019 Vasi D14/307
D870,819 S * 12/2019 Huang D21/369
D875,091 S * 2/2020 Kwon D14/341
D876,431 S * 2/2020 Pendse D14/341
D878,473 S * 3/2020 Thoeni D21/329
D880,605 S * 4/2020 Bussey D21/369
D880,608 S * 4/2020 Glenn, II D21/369
D883,391 S * 5/2020 Urban D21/369
D886,199 S * 6/2020 Surmacz D21/329
D887,496 S * 6/2020 Urban D21/370
D888,159 S * 6/2020 Schoonmaker D21/369
D888,836 S * 6/2020 Lee D21/369
D889,552 S * 7/2020 Glenn, II D21/369
D889,553 S * 7/2020 Glenn, II D21/369
D889,554 S * 7/2020 Calhoun Lewis D21/369
10,706,688 B2 * 7/2020 Kelly G07F 17/3223
D893,414 S * 8/2020 Mercer D13/107
2012/0170233 A1 * 7/2012 Ku G06F 1/184
361/752
2013/0084948 A1 * 4/2013 Watkins G07F 17/3276
463/23
2013/0274004 A1 * 10/2013 Johnson G07F 17/3234
463/27
2018/0075707 A1 * 3/2018 Hirai G07F 17/3211
2018/0082523 A1 * 3/2018 Palermo G07F 17/3244
2019/0080547 A1 * 3/2019 Urban A63F 13/25
2019/0102974 A1 * 4/2019 Bussey G07F 17/3211
2019/0102983 A1 * 4/2019 Gallagher G07F 17/3211
2019/0102984 A1 * 4/2019 Gallagher G07F 17/3202
2020/0035061 A1 * 1/2020 Froy G07F 17/3213
2020/0045396 A1 * 2/2020 Keilwert H04R 5/023
2020/0111297 A1 * 4/2020 Kazama G07F 17/3225
2020/0202660 A1 * 6/2020 Knipp G07F 17/34
2020/0234392 A1 * 7/2020 Edick G06Q 50/34
2020/0246684 A1 * 8/2020 Koga A63F 7/027

OTHER PUBLICATIONS

Gaming Machine Display, Design U.S. Appl. No. 29/616,827, filed Sep. 8, 2017.
Gaming Machine Display, Design U.S. Appl. No. 29/619,620, filed Sep. 29, 2018.
“Bartop U1”, Gaming Today, Nov. 2, 2010. 2 Pages. https://www.gamingtoday.com/Fantasy/industry/article/28064-Bartop_U1.
U1 Gaming, Machines, Copyright 2017. Accessed Aug. 2019. 1 Page. <http://u1gaming.com/machines.html>.

* cited by examiner

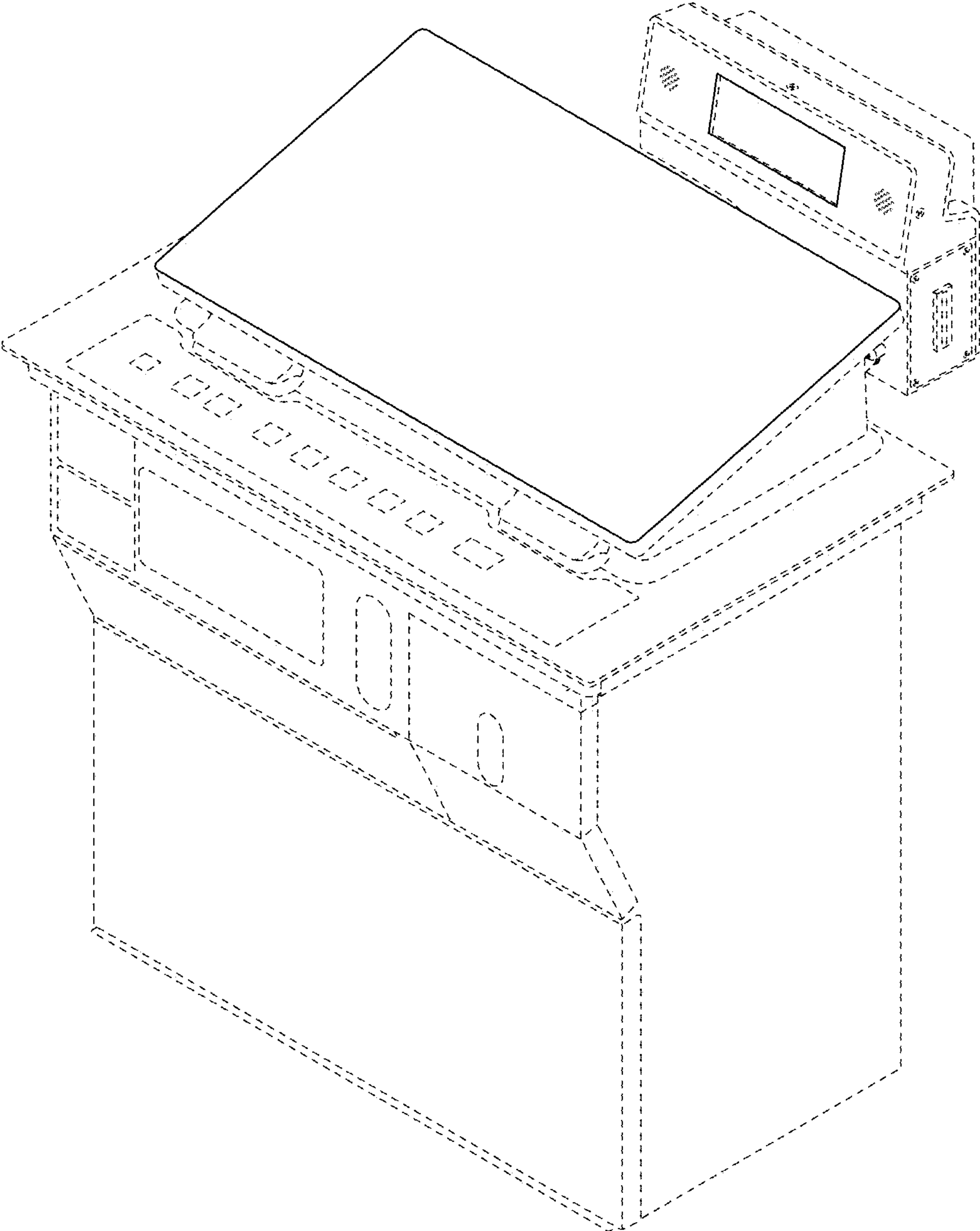


FIG. 1

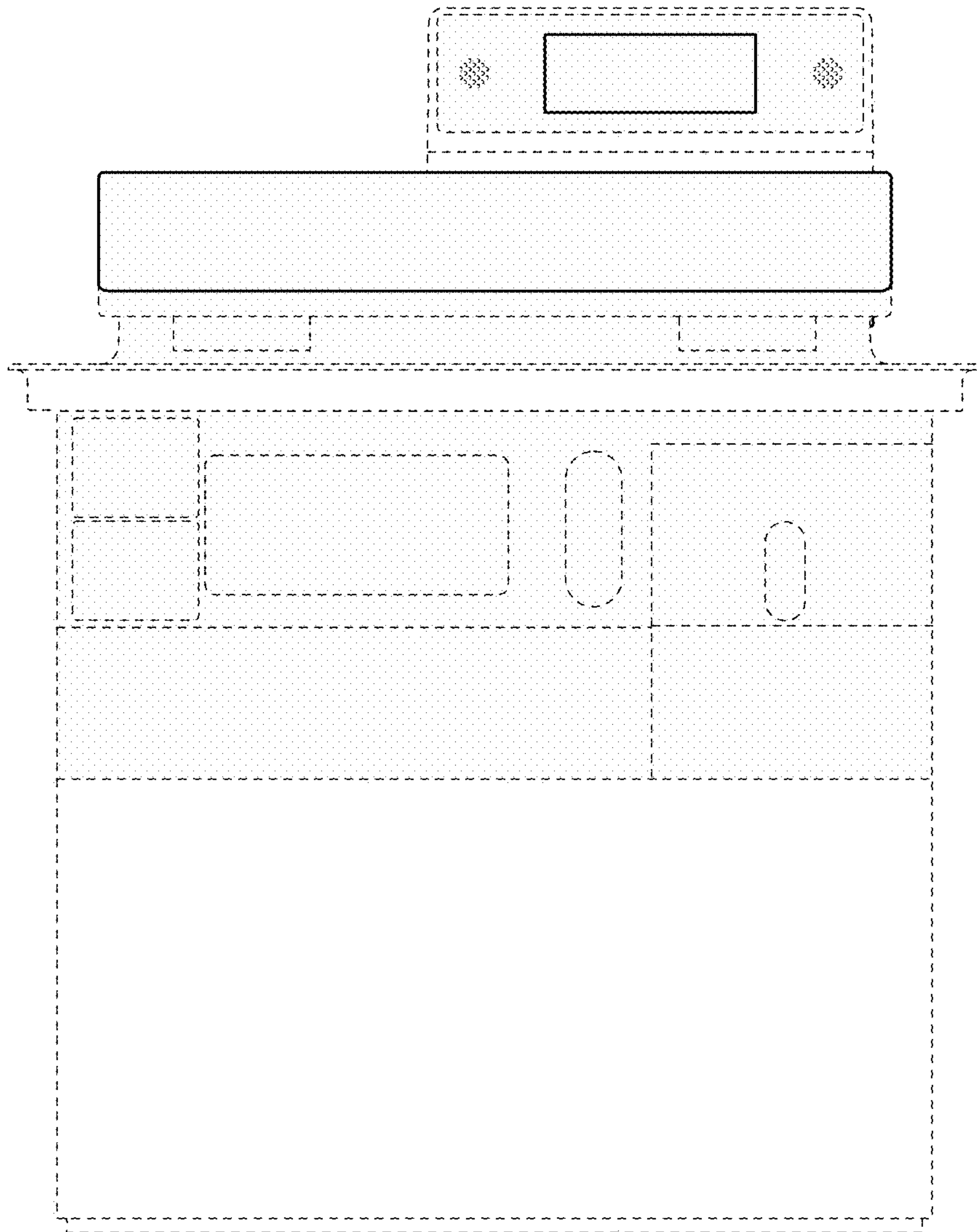


FIG. 2

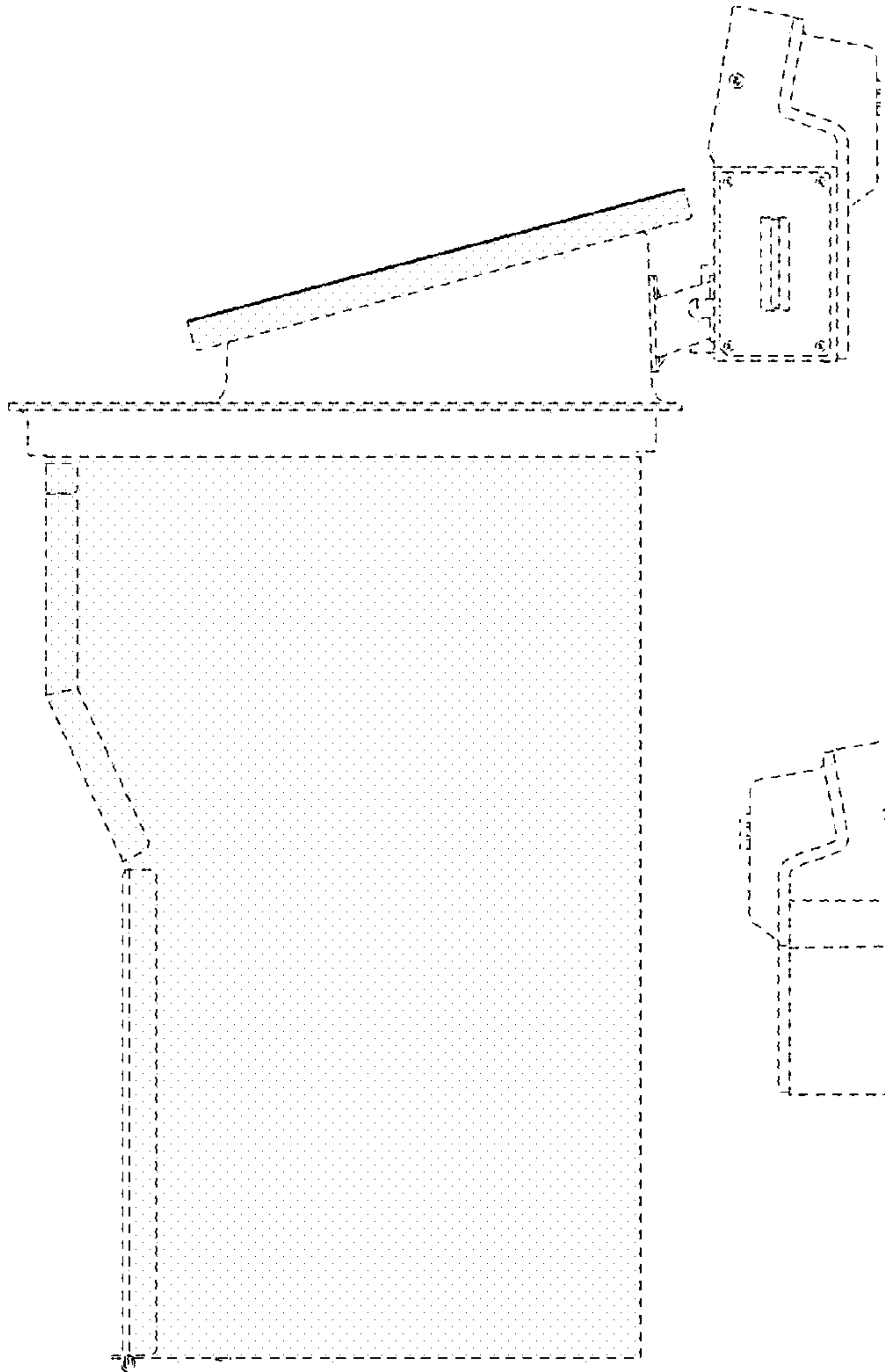


FIG. 3

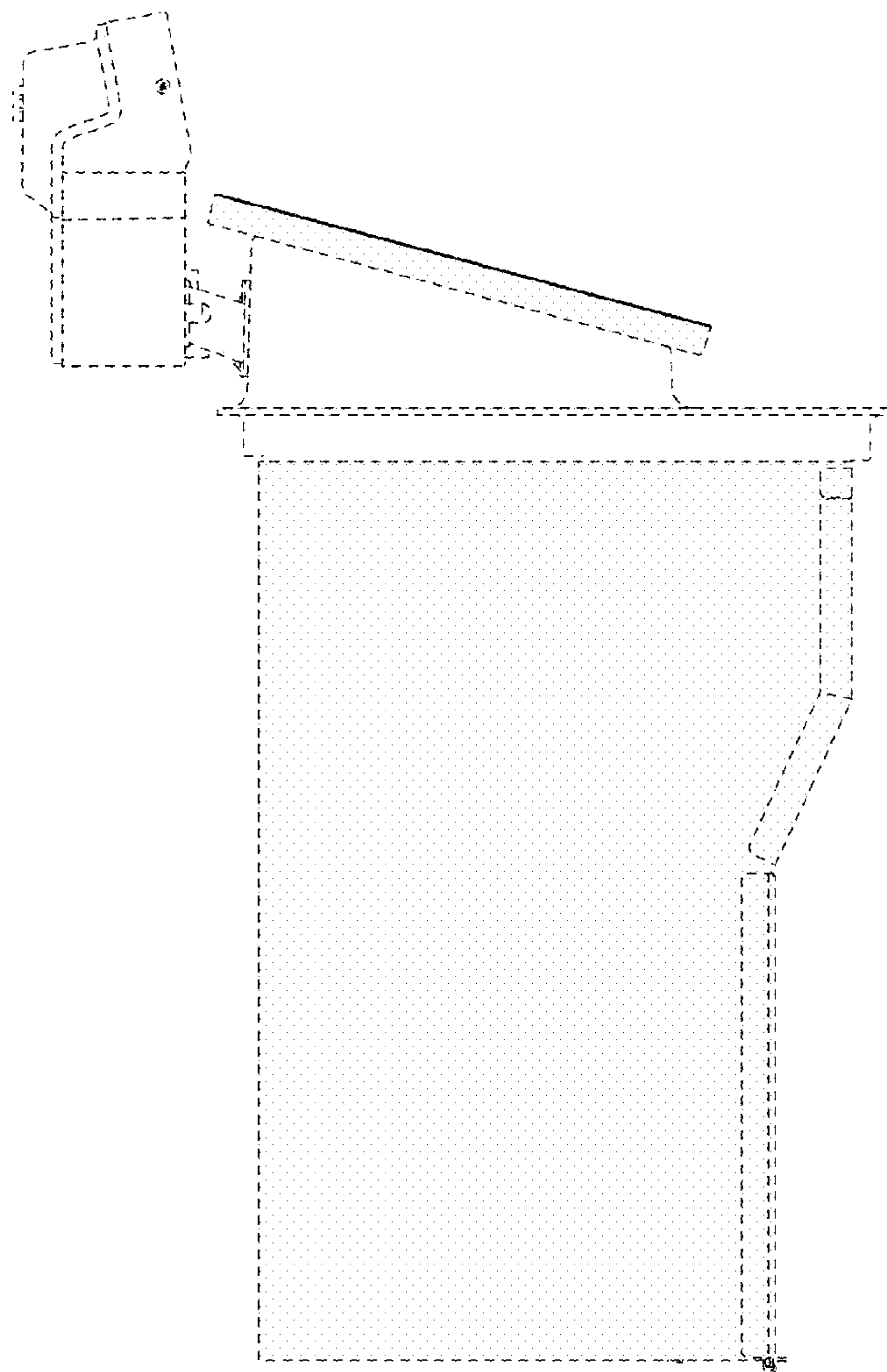


FIG. 4

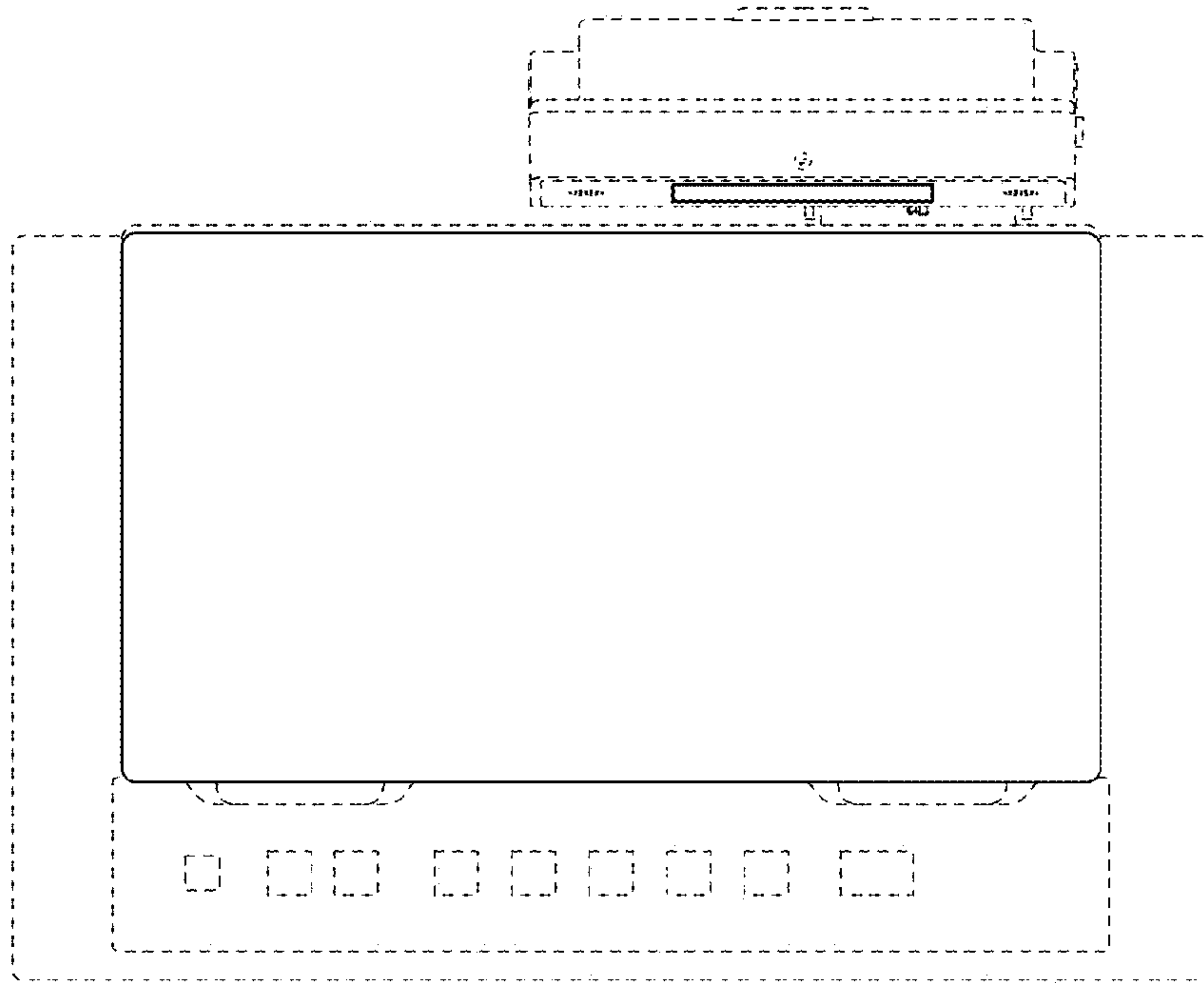


FIG. 5

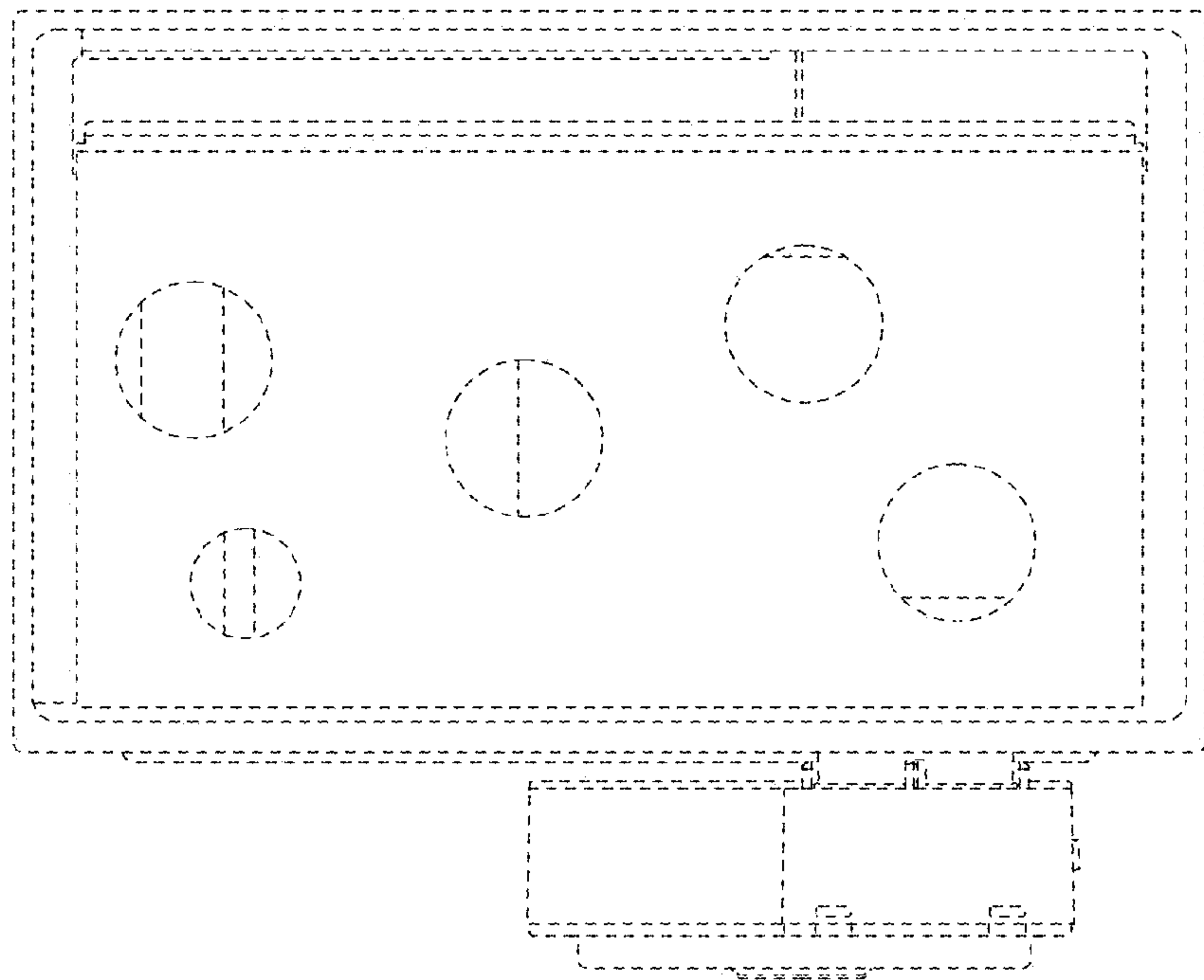


FIG. 6