

US00D948619S

(12) **United States Design Patent** (10) Patent No.: **US D948,619 S**
Yoo et al. (45) Date of Patent: **** Apr. 12, 2022**

(54) **GAME CONTROLLER**

(56) **References Cited**

(71) Applicant: **Aksys Co., Ltd.**, Uiwang-si (KR)

U.S. PATENT DOCUMENTS

(72) Inventors: **Ki Jun Yoo**, Seongnam (KR); **Paolo Villa**, Seregno (IT)

D720,342 S	*	12/2014	Starrett	D14/252
D766,902 S	*	9/2016	Bellinghausen	D14/401
D819,642 S	*	6/2018	Ehara	D14/401
D870,207 S	*	12/2019	Ali	D21/333
D875,836 S	*	2/2020	Ehara	D21/333
D876,550 S	*	2/2020	Ehara	D21/333
D878,474 S	*	3/2020	Ehara	D21/333
D884,796 S	*	5/2020	Zhou	D21/333
D909,481 S	*	2/2021	Liu	D21/333
D912,153 S	*	3/2021	Ehara	D21/333
D912,155 S	*	3/2021	Yang	D21/333
D928,884 S	*	8/2021	Zhou	D21/333

(**) Term: **15 Years**

(21) Appl. No.: **35/510,924**

(22) Filed: **May 26, 2020**

(80) **Hague Agreement Data**

Int. Filing Date: **May 26, 2020**
 Int. Reg. No.: **DM/211560**
 Int. Reg. Date: **May 26, 2020**
 Int. Reg. Pub. Date: **Dec. 11, 2020**

* cited by examiner

Primary Examiner — Joseph Kukella
 (74) *Attorney, Agent, or Firm* — Rabin & Berdo, P.C.

(30) **Foreign Application Priority Data**

Mar. 16, 2020 (KR) 30-2020-0011811

(51) **LOC (13) Cl.** **21-01**

(52) **U.S. Cl.**
 USPC **D21/333**

(58) **Field of Classification Search**
 USPC D14/388, 389, 390, 412–417, 454, 455;
 D21/324, 333
 CPC A63F 13/20; A63F 13/24; A63F 13/245;
 A63F 13/98
 See application file for complete search history.

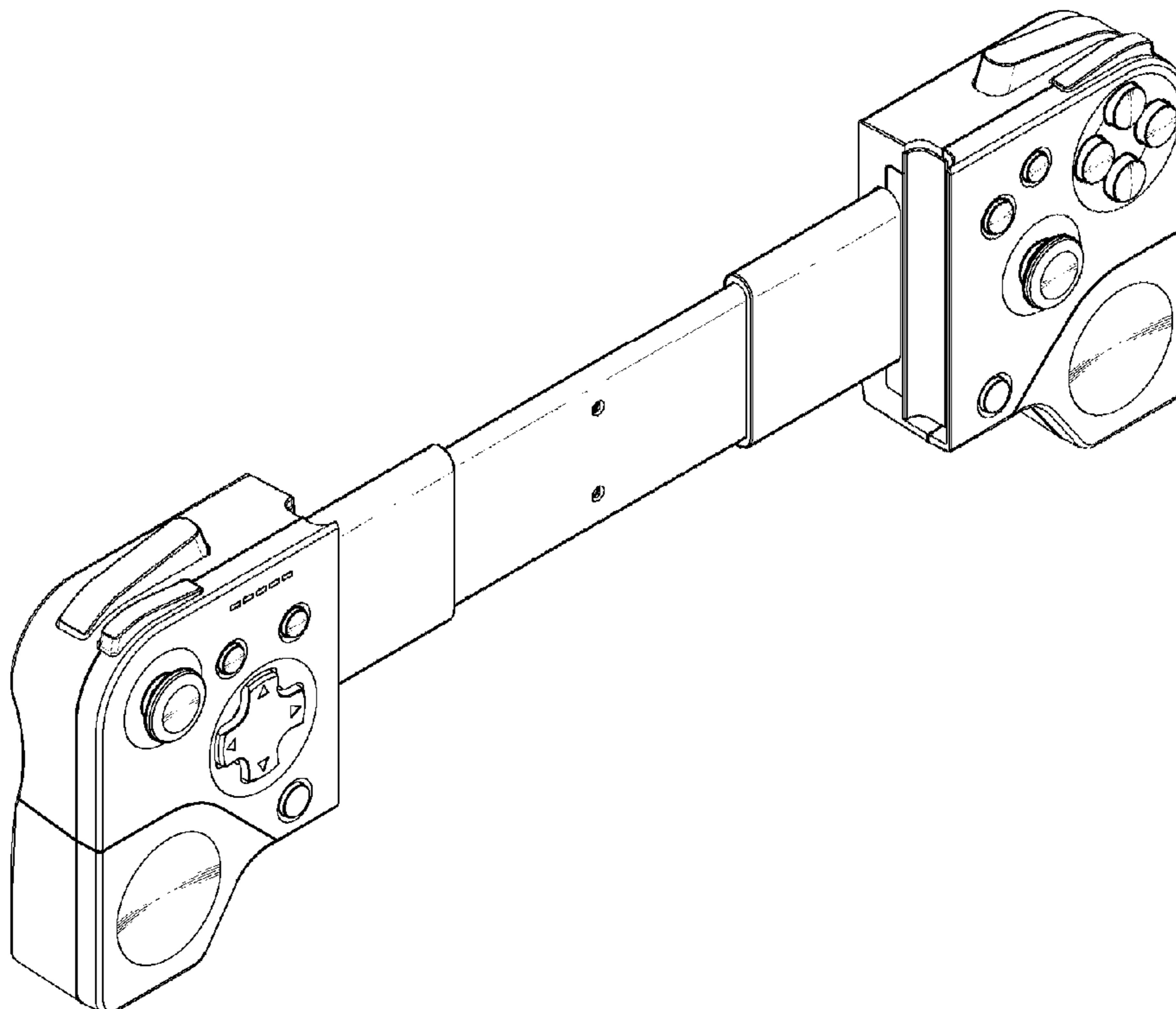
(57) **CLAIM**

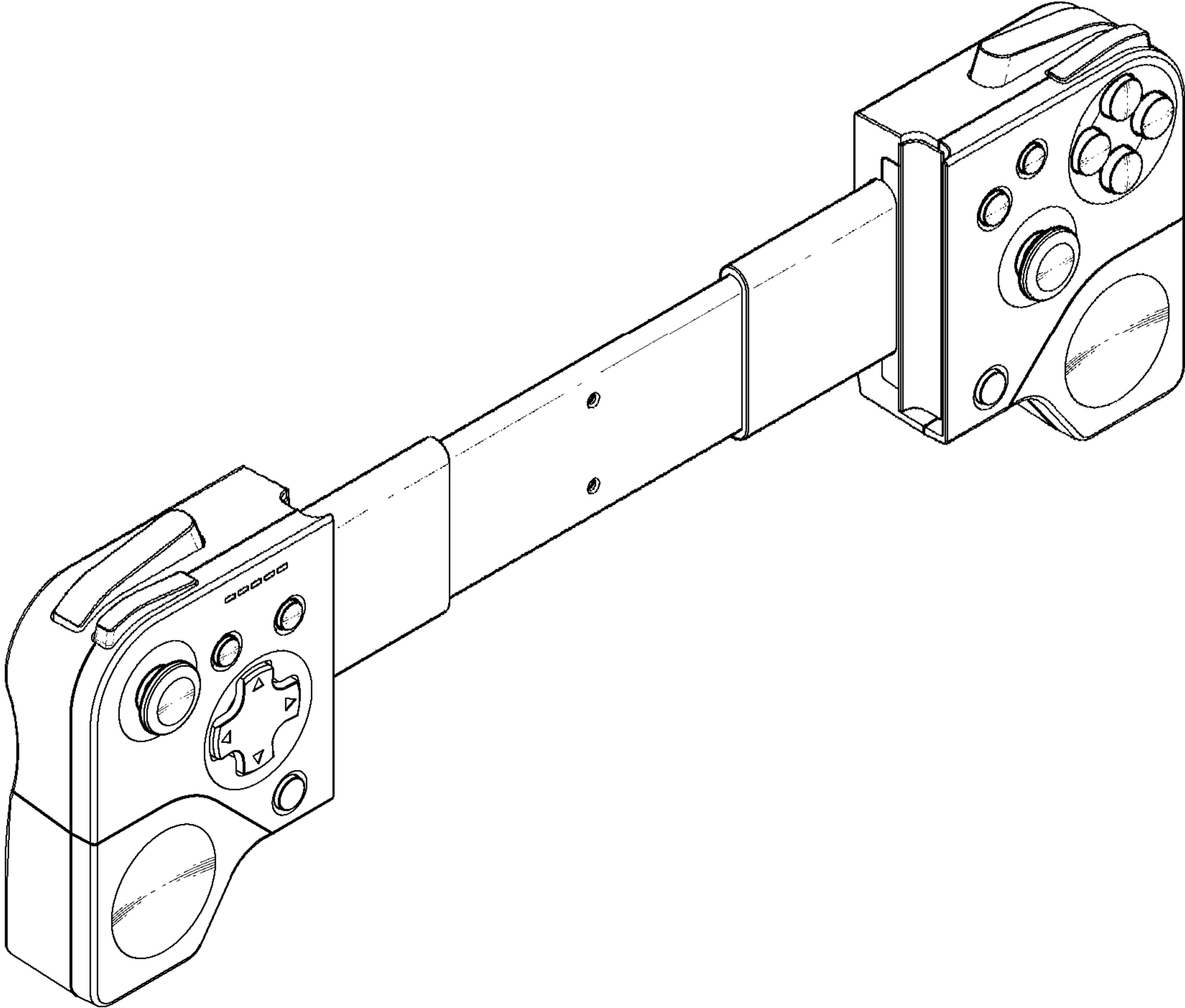
The ornamental design for a game controller, as shown and described.

DESCRIPTION

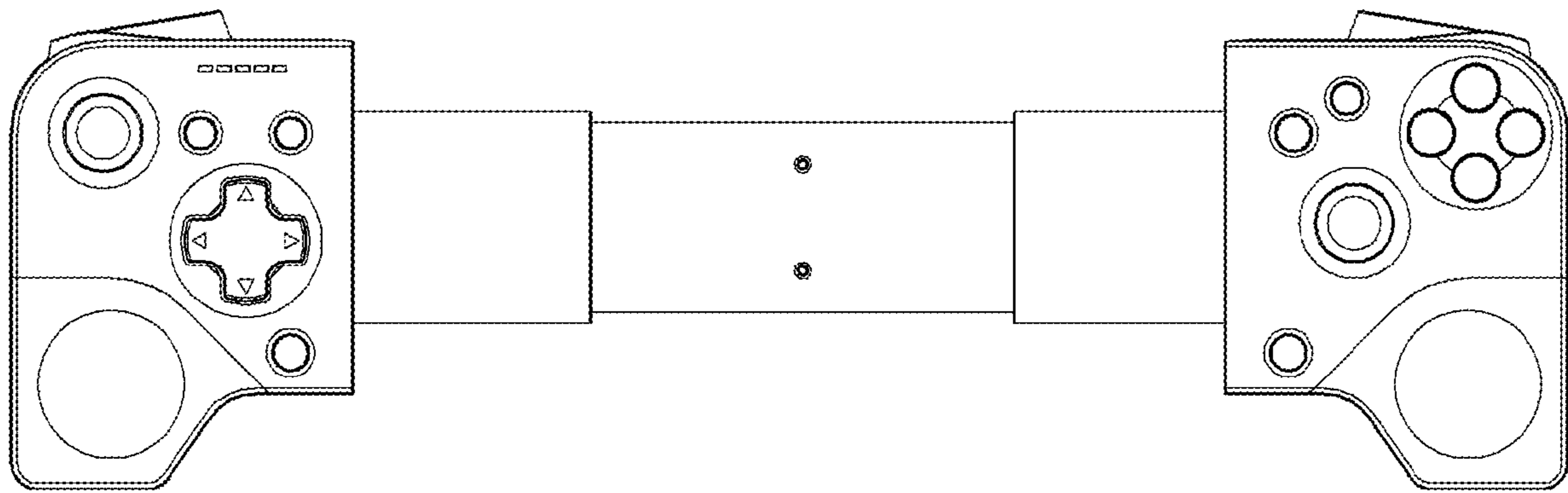
- 1.1: Perspective
- 1.2: Front
- 1.3: Back
- 1.4: Left
- 1.5: Right
- 1.6: Top
- 1.7: Bottom
- 1.8: Perspective

1 Claim, 8 Drawing Sheets

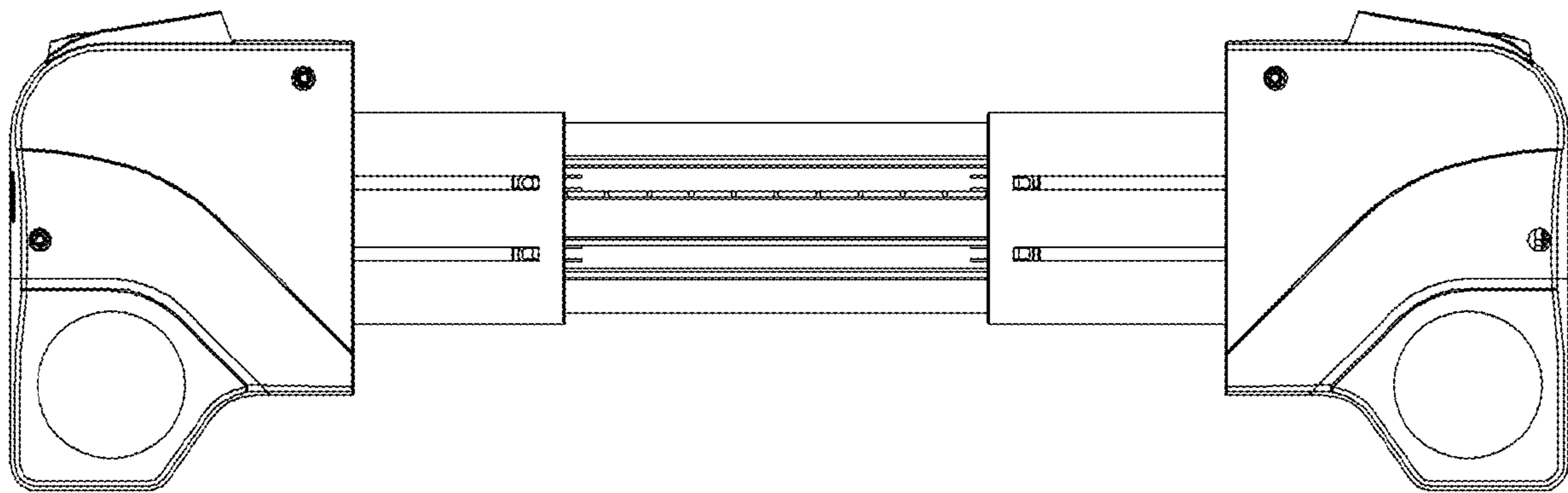




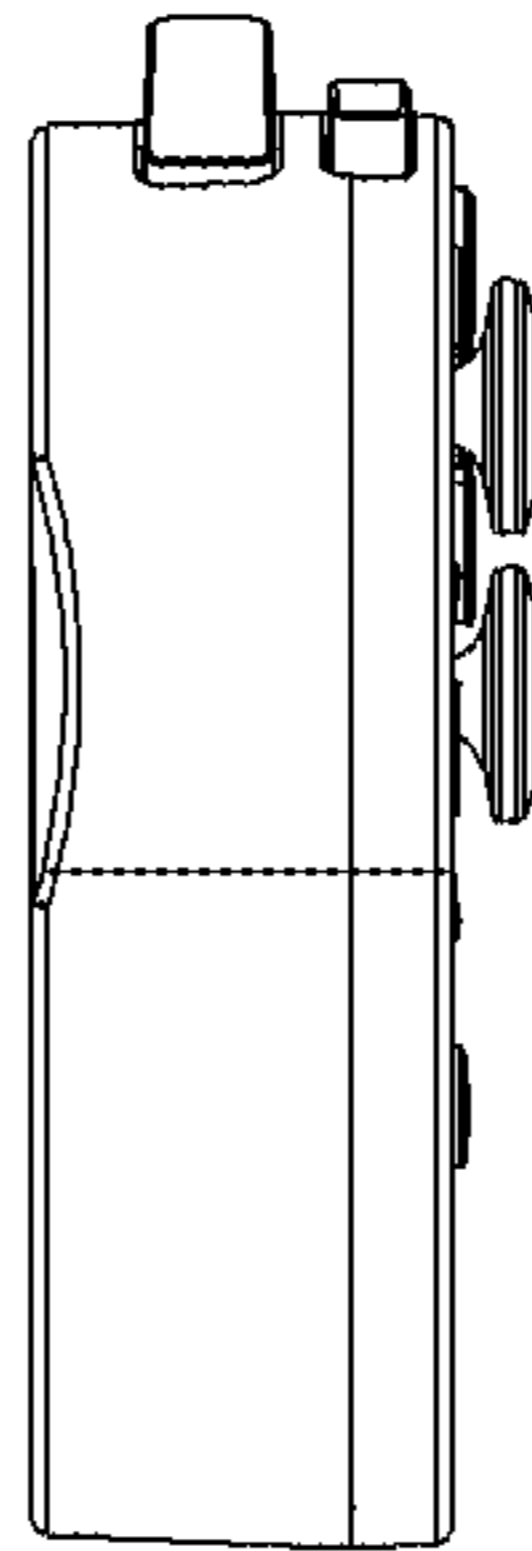
1.1



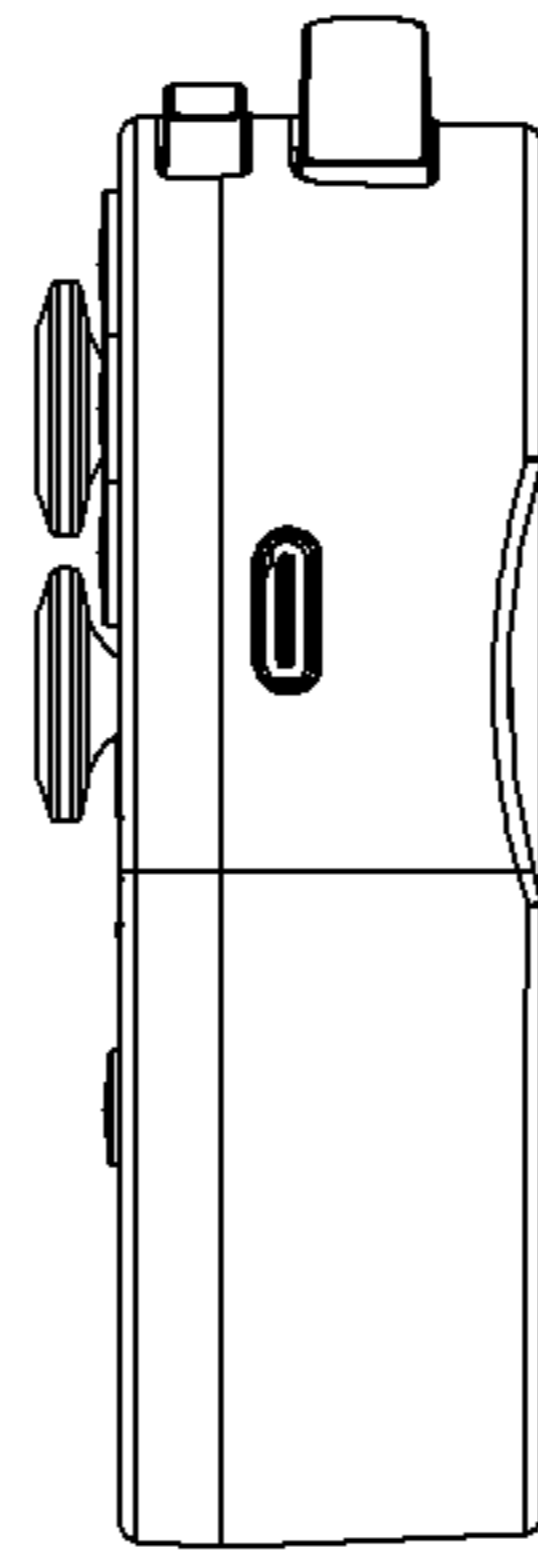
1.2



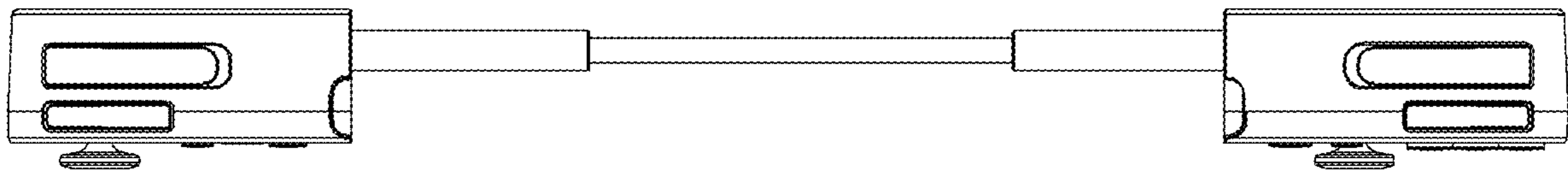
1.3



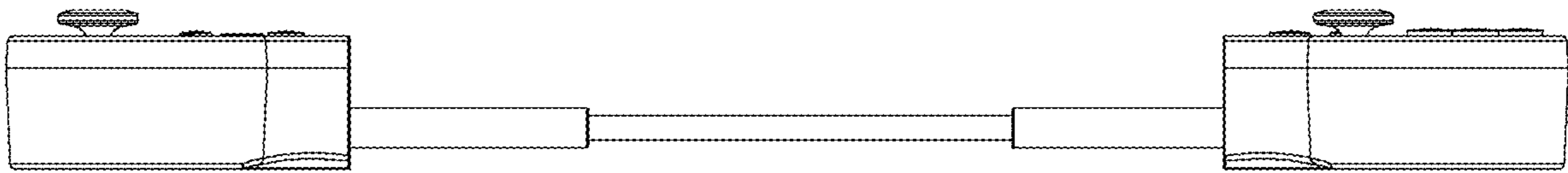
1.4



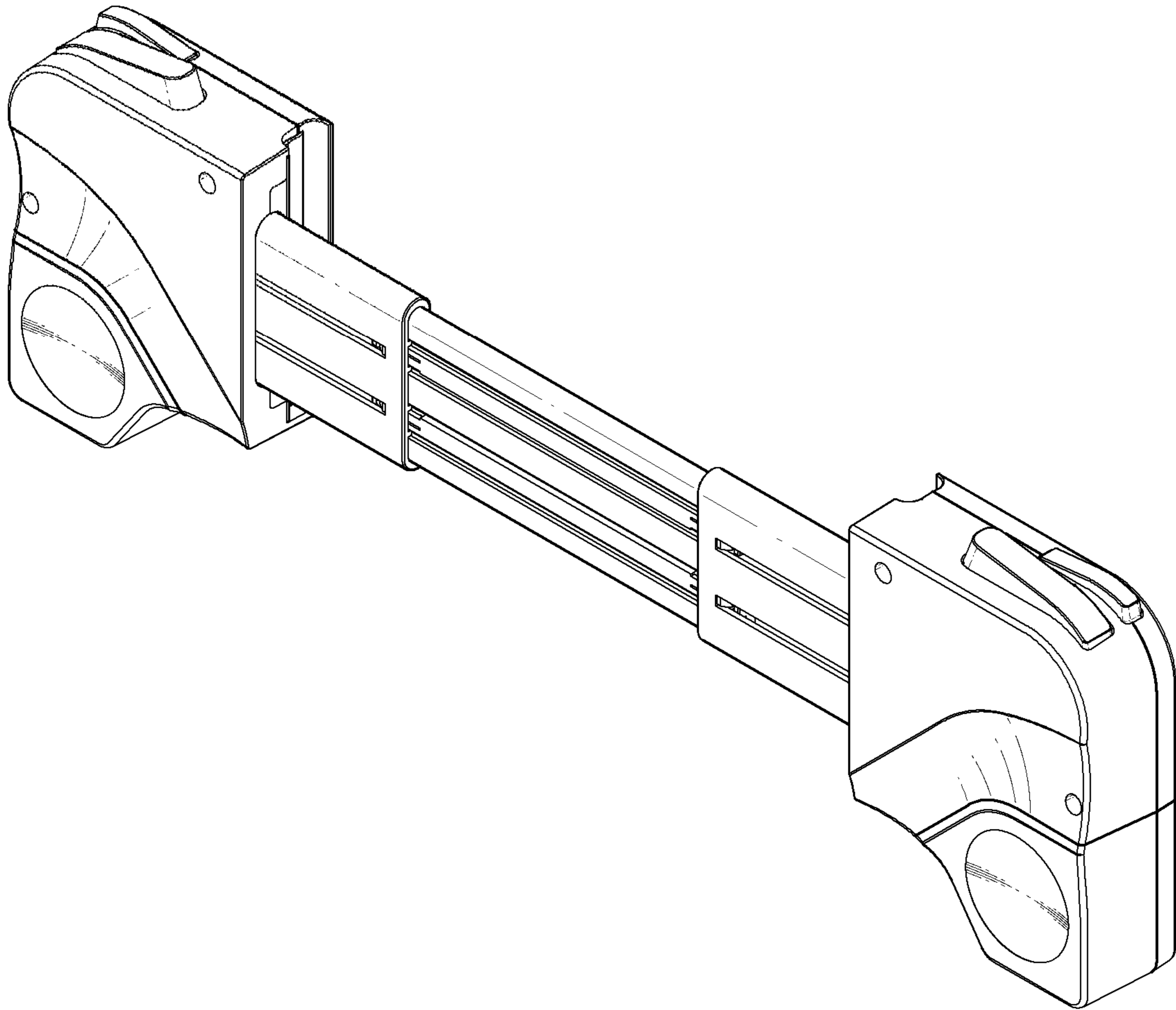
1.5



1.6



1.7



1.8