



US00D948618S

(12) **United States Design Patent** (10) **Patent No.:** **US D948,618 S**
Ustach et al. (45) **Date of Patent:** **** Apr. 12, 2022**

(54) **SIGN DISPLAY**
(71) Applicant: **McCue Corporation**, Peabody, MA (US)
(72) Inventors: **Thomas Ustach**, Boston, MA (US); **Teodoro A. Mesa**, Lynn, MA (US)
(73) Assignee: **McCue Corporation**, Danvers, MA (US)
(**) Term: **15 Years**
(21) Appl. No.: **29/762,856**
(22) Filed: **Dec. 18, 2020**
(51) **LOC (13) Cl.** **20-03**
(52) **U.S. Cl.**
USPC **D20/10**
(58) **Field of Classification Search**
USPC D10/113.4; D14/125, 126, 371; D20/10, D20/19, 22, 27, 39, 41, 42, 99
CPC G09F 7/00; G09F 7/02; G09F 7/16; G09F 9/00; G09F 9/3026; G09F 9/33; G09F 9/35; G09F 13/00; G09F 13/22; G09F 15/00; G09F 15/0056; G09F 15/0068; G06F 3/14; H01R 13/514
See application file for complete search history.

(56) **References Cited**

U.S. PATENT DOCUMENTS

D654,450 S * 2/2012 McManigal D14/129
D661,266 S * 6/2012 Laube D14/126
D691,818 S * 10/2013 Shibata D6/308
D704,702 S * 5/2014 Akana D14/341
D730,853 S * 6/2015 Choi D14/126
D749,564 S * 2/2016 Cho D14/341
D784,270 S * 4/2017 Bhattacharya D13/162
D795,202 S * 8/2017 Dimberg D13/168
D810,710 S * 2/2018 Kim D14/125

D844,010 S * 3/2019 Owens D14/434
D849,701 S * 5/2019 Lee D14/126
D850,440 S * 6/2019 Gentle D14/336
D856,410 S * 8/2019 Lee D18/4.4
D857,007 S * 8/2019 Pitallano D14/307
D867,308 S * 11/2019 Dimberg D13/168
D882,567 S * 4/2020 Parfitt D14/371
D899,390 S * 10/2020 Park D14/126
D900,814 S * 11/2020 Lee D14/371
D901,416 S * 11/2020 Park D14/126
D927,439 S * 8/2021 McConnell D14/126
D930,604 S * 9/2021 Pyo D14/126
D933,067 S * 10/2021 Parfitt D14/371
2002/0135974 A1 * 9/2002 Bell G06F 1/1632
361/679.41
2009/0201254 A1 * 8/2009 Rais G06F 1/1616
345/168
2019/0066076 A1 * 2/2019 Lee G07G 1/0009

* cited by examiner

Primary Examiner — Mary Ann Calabrese

Assistant Examiner — Catherine Ho

(74) *Attorney, Agent, or Firm* — Occhiuti & Rohlicek LLP

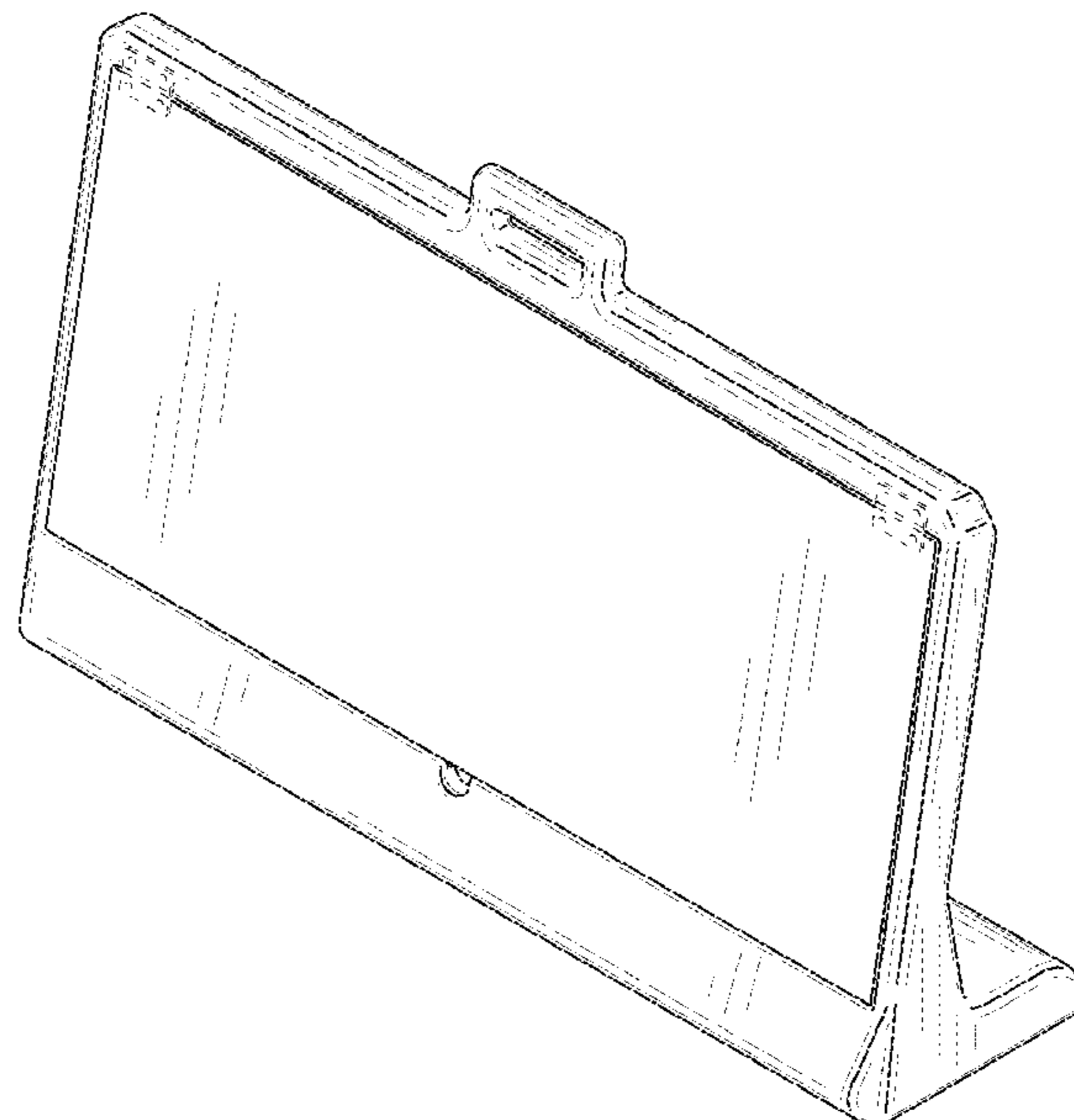
(57) **CLAIM**

The ornamental design for a sign display, as shown and described.

DESCRIPTION

FIG. 1 is a front perspective view of a sign display according to our new design;
FIG. 2 is a front view of the sign display of FIG. 1;
FIG. 3 is a rear view of the sign display of FIG. 1;
FIG. 4 is a top view of the sign display of FIG. 1;
FIG. 5 is a bottom view of the sign display of FIG. 1;
FIG. 6 is a left-side view of the sign display of FIG. 1; and,
FIG. 7 is a right-side view of the sign display of FIG. 1.
The features shown in broken lines form no part of the claimed design.

1 Claim, 3 Drawing Sheets



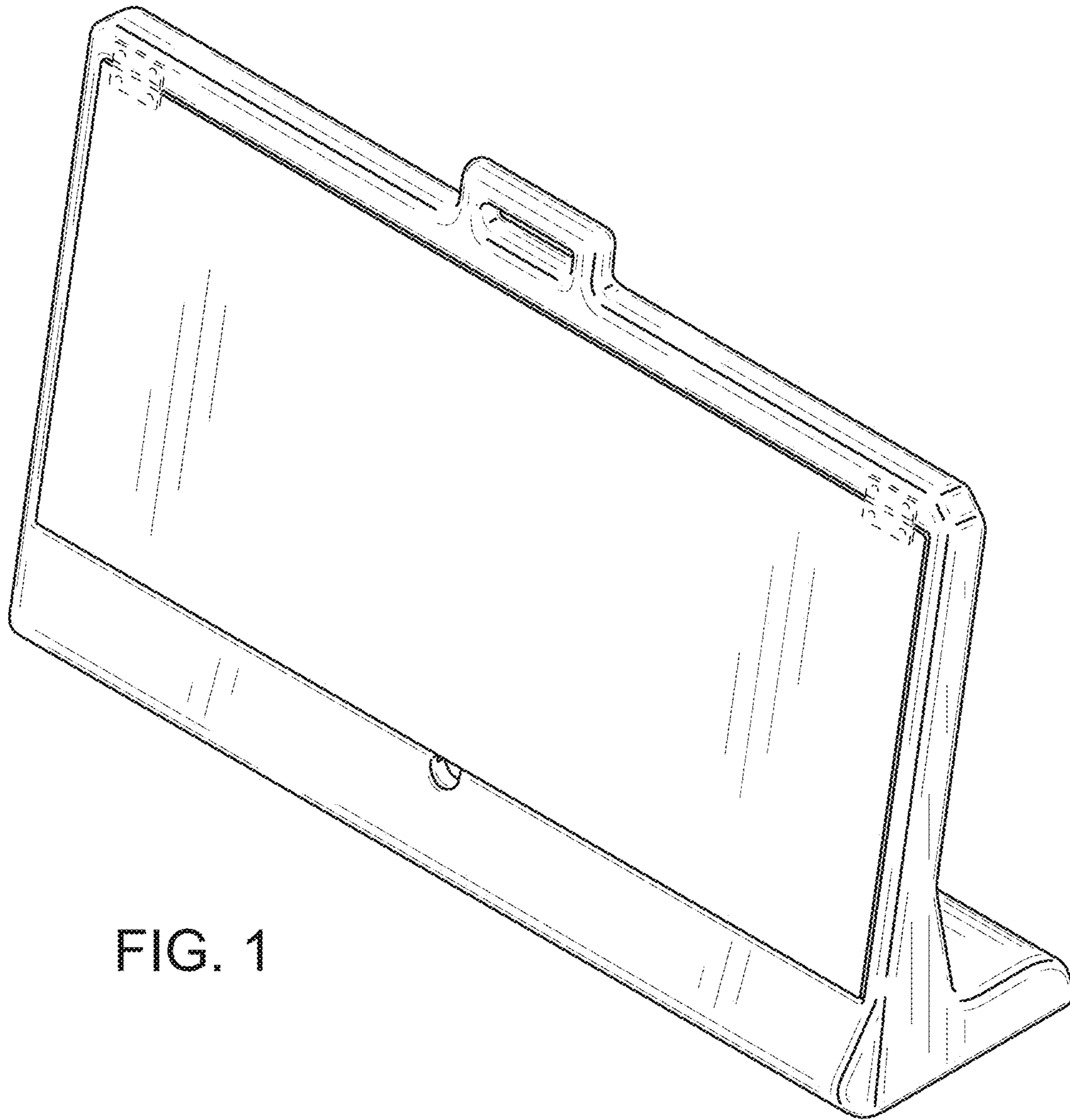


FIG. 1

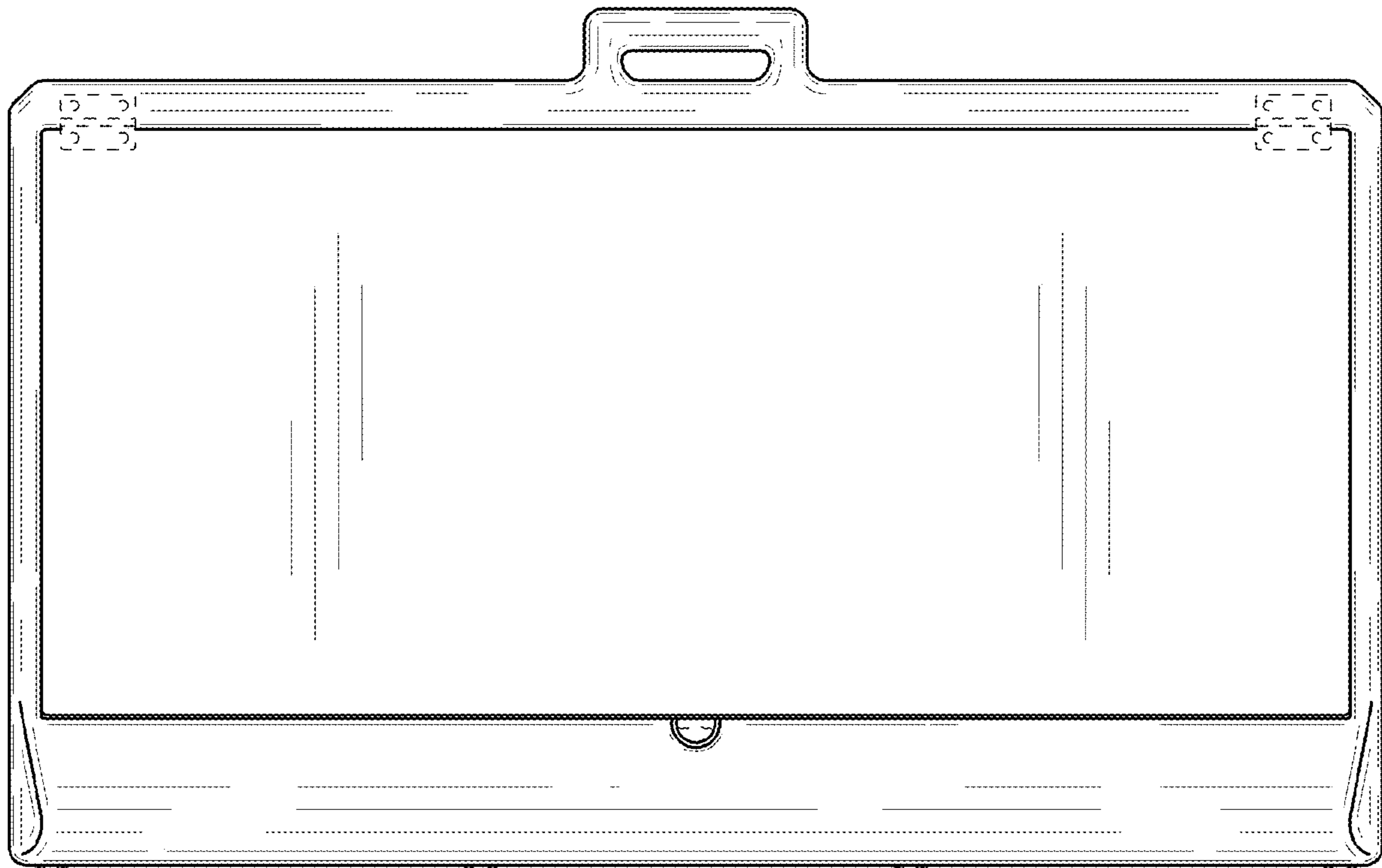


FIG. 2

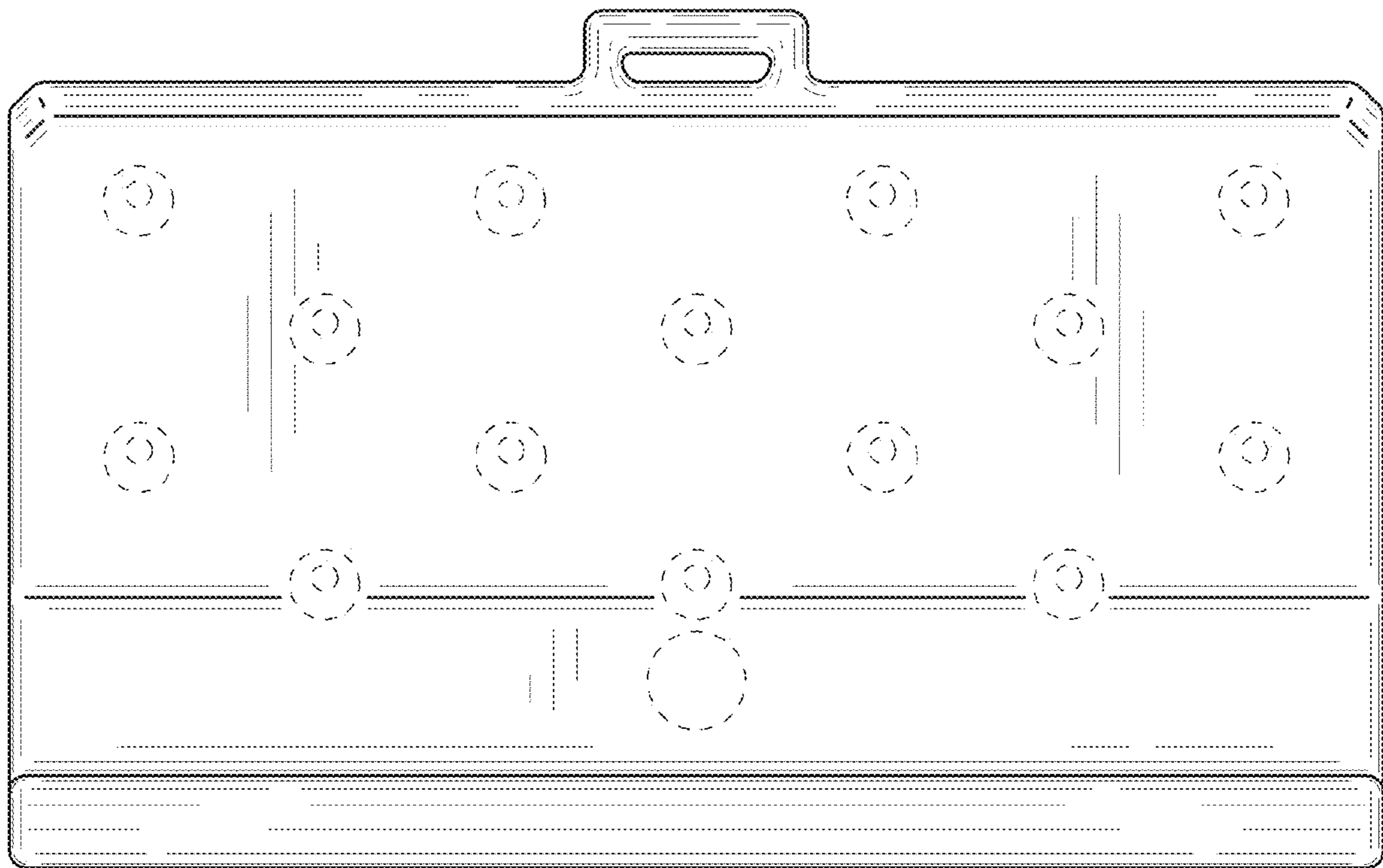


FIG. 3

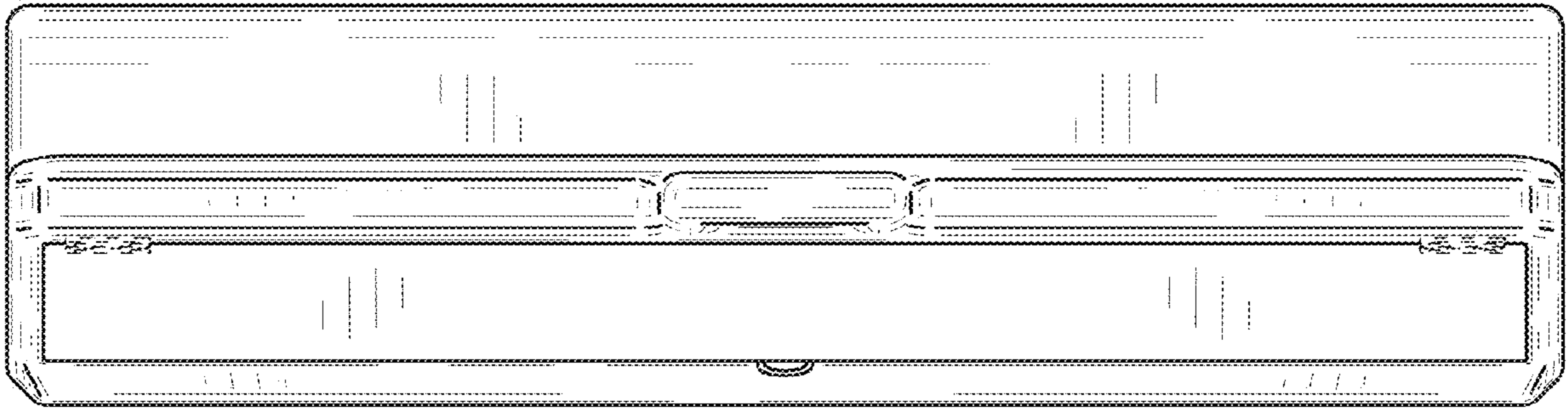


FIG. 4

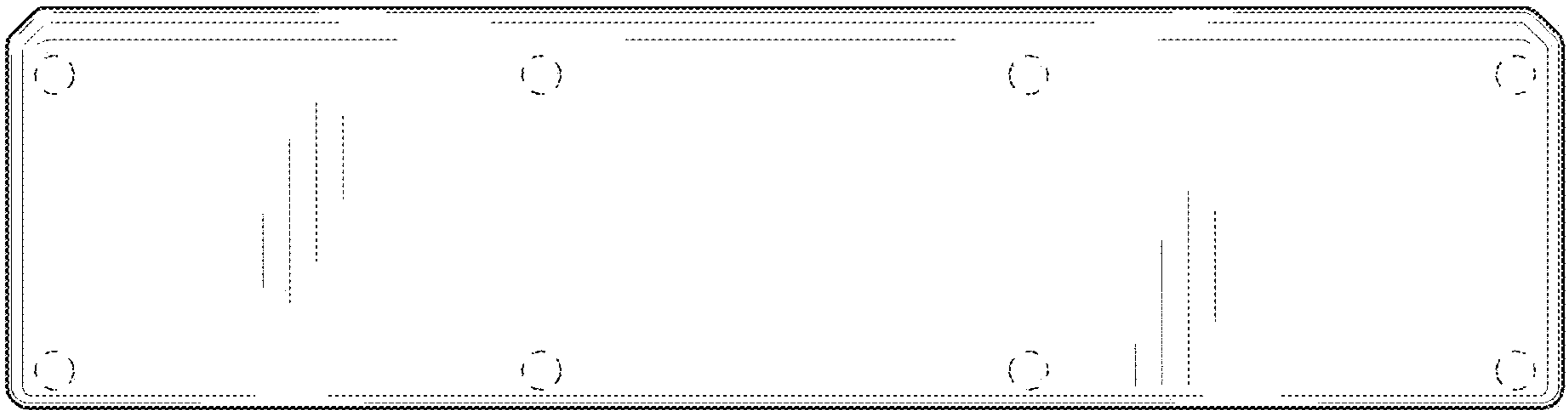


FIG. 5

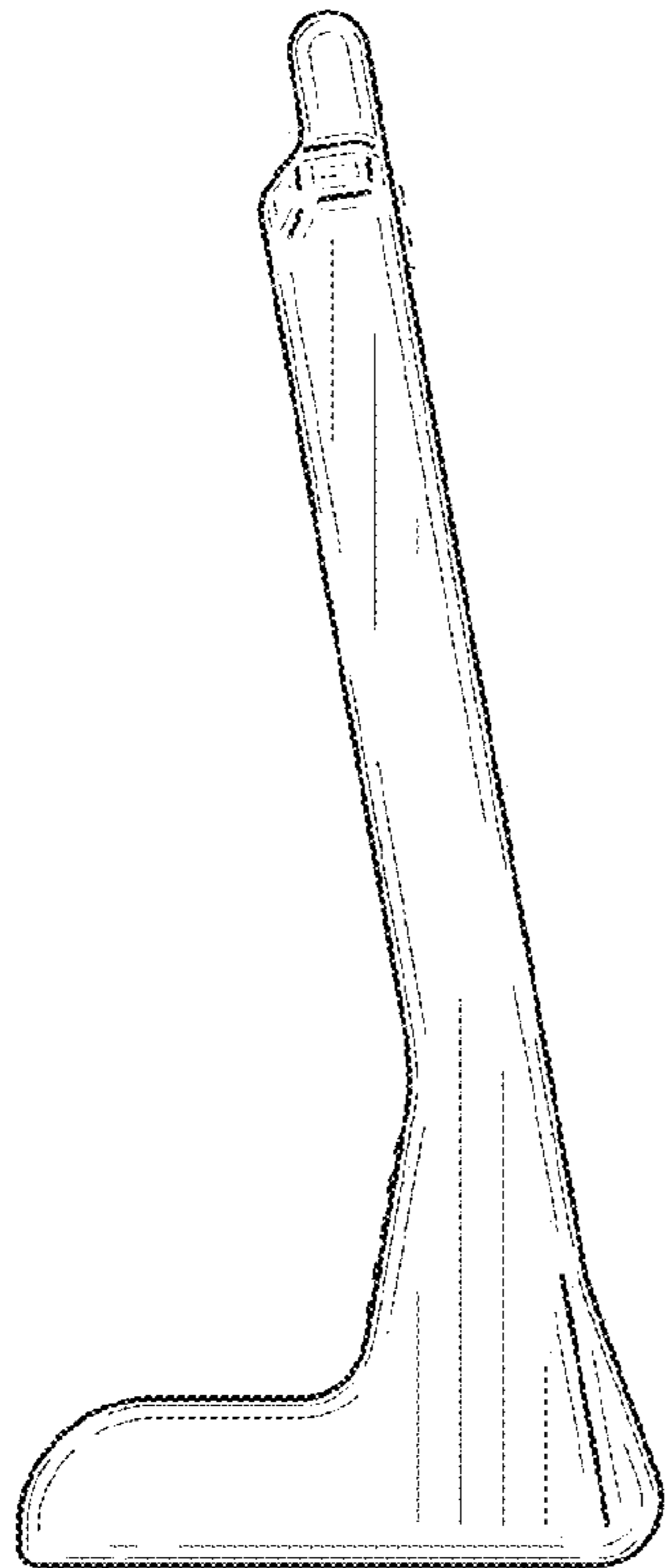


FIG. 6

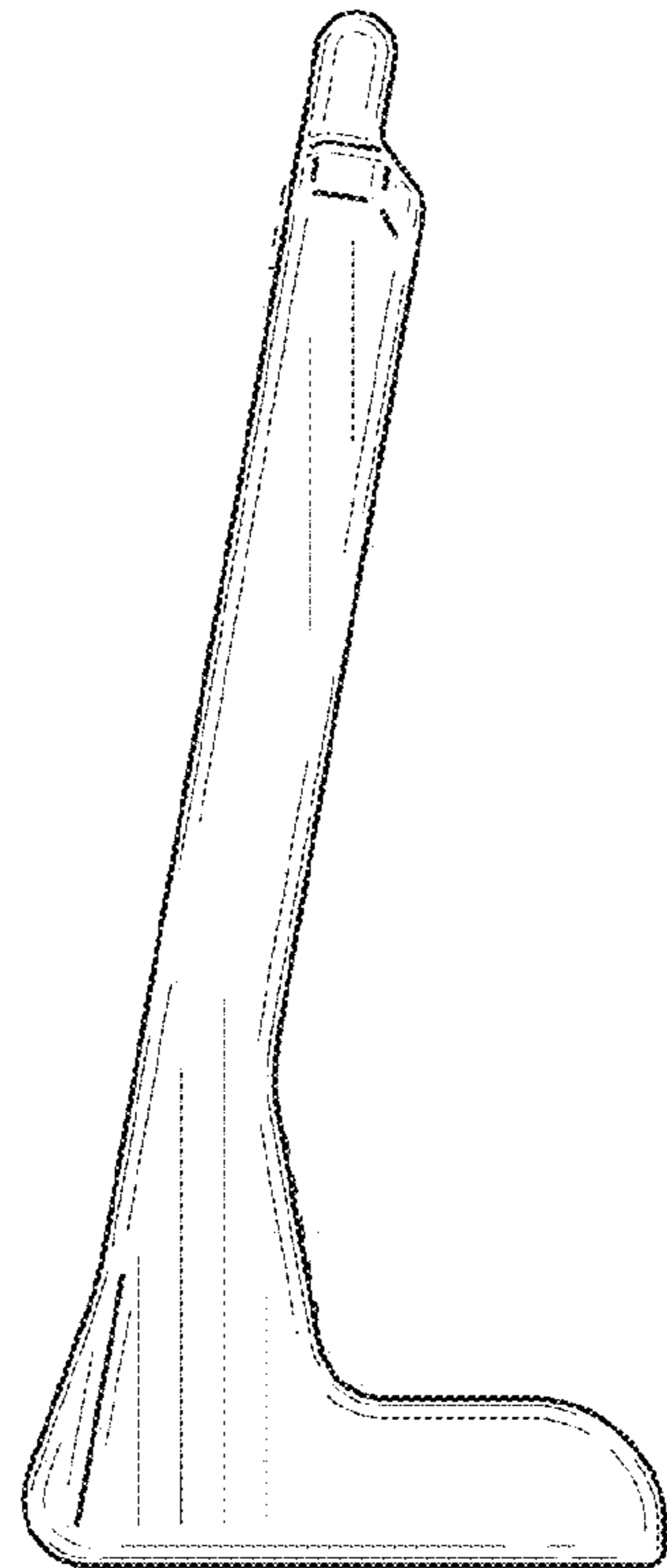


FIG. 7