



US00D948617S

(12) **United States Design Patent**
Zhao

(10) **Patent No.:** **US D948,617 S**
(45) **Date of Patent:** **** Apr. 12, 2022**

(54) **WRITING BOARD**
(71) Applicant: **SHENZHEN BINZHEN HONGTUO INDUSTRIAL CO., LTD.**, Shenzhen (CN)
(72) Inventor: **Kaidong Zhao**, Tianshui (CN)
(73) Assignee: **SHENZHEN BINZHEN HONGTUO INDUSTRIAL CO., LTD.**, Shenzhen (CN)
(**) Term: **15 Years**

D513,614 S * 1/2006 Tsao D14/371
D515,566 S * 2/2006 Hwang D14/371
D515,568 S * 2/2006 Hoehn D14/371
D515,569 S * 2/2006 Hoehn D14/371
D515,570 S * 2/2006 Hoehn D14/371
D515,571 S * 2/2006 Hsieh D14/371
D515,572 S * 2/2006 Hsieh D14/371
D515,573 S * 2/2006 Liaw D14/371
D516,067 S * 2/2006 Hsieh D14/371
D518,045 S * 3/2006 Tsao D14/371
D521,960 S * 5/2006 Hoehn D14/126
D546,789 S * 7/2007 Lee D14/126
D577,207 S * 9/2008 Tsai D14/371
D591,801 S * 5/2009 Mak D21/469
D592,624 S * 5/2009 Chen D14/129

(Continued)

(21) Appl. No.: **29/820,967**
(22) Filed: **Dec. 27, 2021**
(51) **LOC (13) Cl.** **19-06**
(52) **U.S. Cl.**
USPC **D19/113**
(58) **Field of Classification Search**
USPC D19/113, 114; D6/304, 406.1, 406.3;
D14/129, 371; D21/329, 469
CPC B43L 1/00; B43L 1/008; B43L 1/04; B43L
1/06; B43L 1/08; B43L 1/10; B43L 1/12;
B43L 1/126; B43L 5/00
See application file for complete search history.

FOREIGN PATENT DOCUMENTS

EM 008816466-0002 * 1/2022
GB 9007362348-0001 * 12/2019

Primary Examiner — Elizabeth A. Albert

(56) **References Cited**

U.S. PATENT DOCUMENTS

D158,527 S * 5/1950 Steele D21/617
D292,011 S * 9/1987 Thomson D21/652
D312,557 S * 12/1990 Maddocks D19/113
5,820,385 A * 10/1998 Ohashi B43L 1/008
434/408
D406,613 S * 3/1999 Nakanishi D21/329
D419,190 S * 1/2000 Mak D21/469
D476,653 S * 7/2003 Zuege D14/371
D485,556 S * 1/2004 Hoehn D14/371
D495,705 S * 9/2004 Borsboom D14/371
D496,360 S * 9/2004 Borsboom D14/371

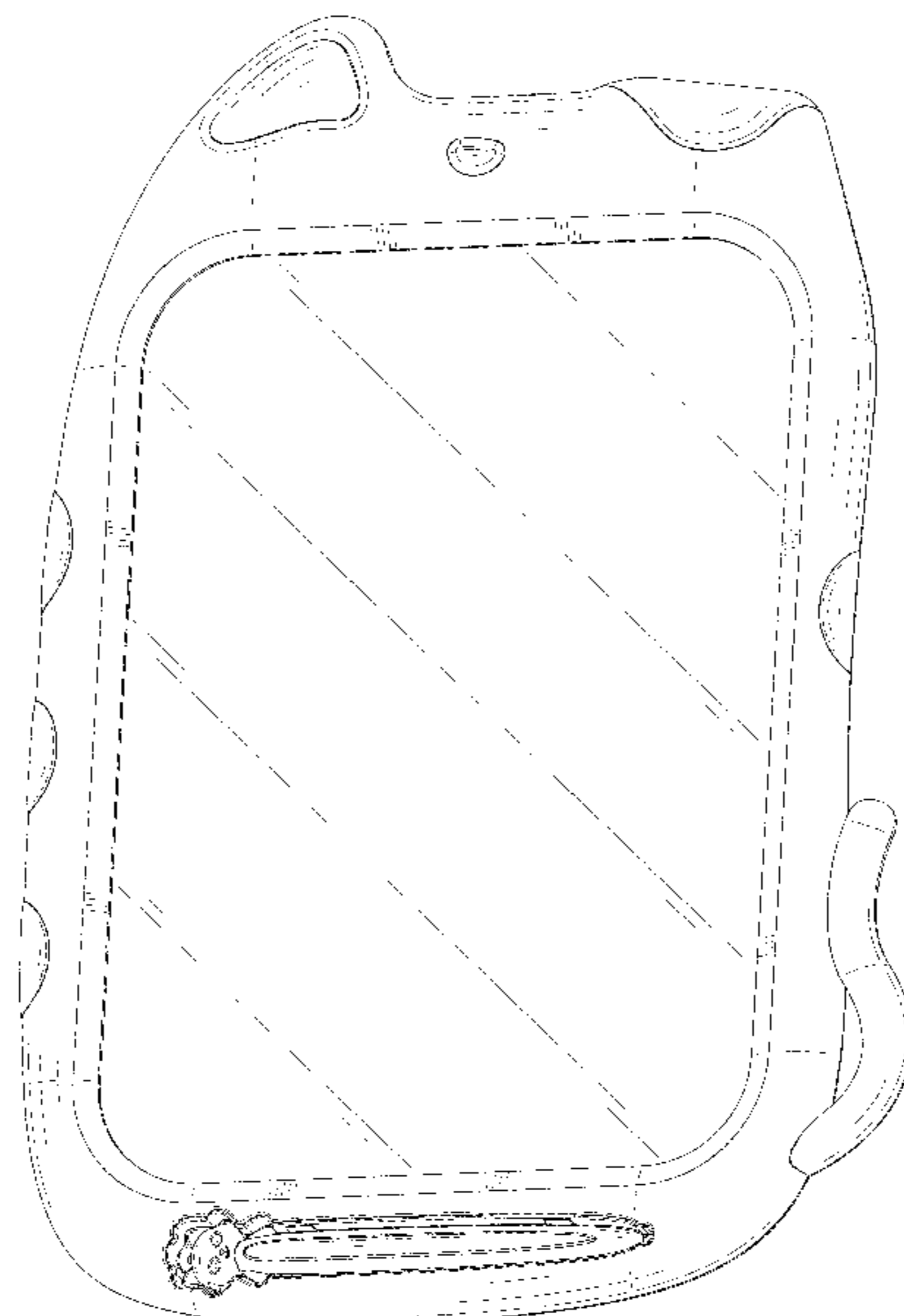
(57) **CLAIM**

The ornamental design for a writing board, as shown and described.

DESCRIPTION

FIG. 1 is a perspective view of a writing board showing my new design;
FIG. 2 is another perspective view thereof;
FIG. 3 is a front elevational view thereof;
FIG. 4 is a rear elevational view thereof;
FIG. 5 is a left side elevational view thereof;
FIG. 6 is a right side elevational view thereof;
FIG. 7 is a top plan view thereof;
FIG. 8 is a bottom plan view thereof; and,
FIG. 9 is an exploded perspective view of the writing board.
The broken lines in the drawings depict portions of the writing board that form no part of the claimed design.

1 Claim, 9 Drawing Sheets



(56)

References Cited

U.S. PATENT DOCUMENTS

D595,714 S	*	7/2009	Chu	D14/371
D596,178 S	*	7/2009	Chu	D14/371
D599,562 S	*	9/2009	Chen	D14/371
D599,796 S	*	9/2009	Chu	D14/371
D606,997 S	*	12/2009	Chiu	D14/371
D644,224 S	*	8/2011	Chu	D14/371
D667,650 S	*	9/2012	Roizin	D6/406.3
D696,039 S	*	12/2013	Woodard	D6/406.3
D740,572 S	*	10/2015	Sudhakar	D6/304
D867,452 S		11/2019	Morris		
D899,521 S	*	10/2020	Li	D19/113
D928,230 S	*	8/2021	Li	D19/113
D933,622 S	*	10/2021	Li	D14/371
D935,525 S		11/2021	Ji		

* cited by examiner

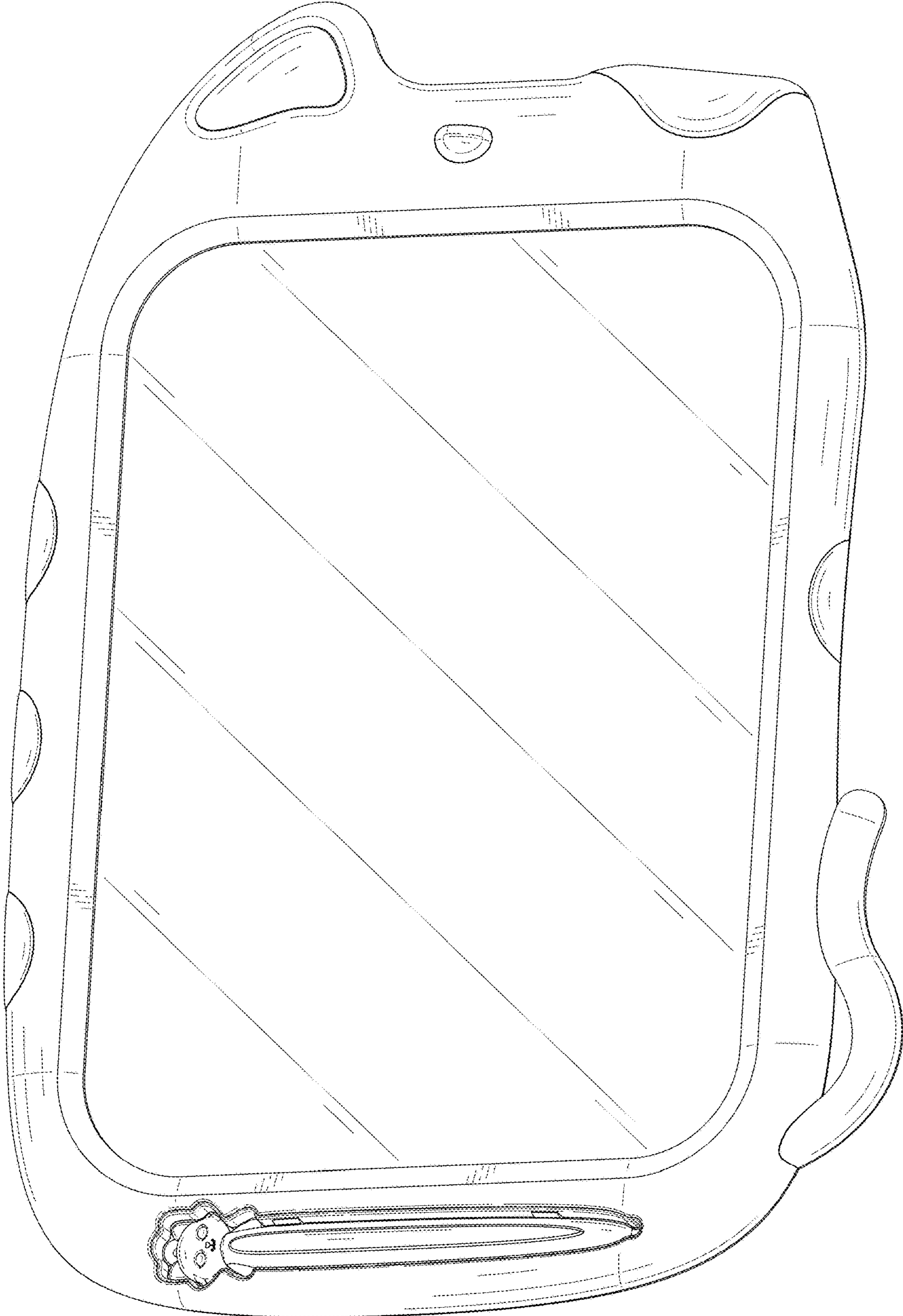


FIG. 1

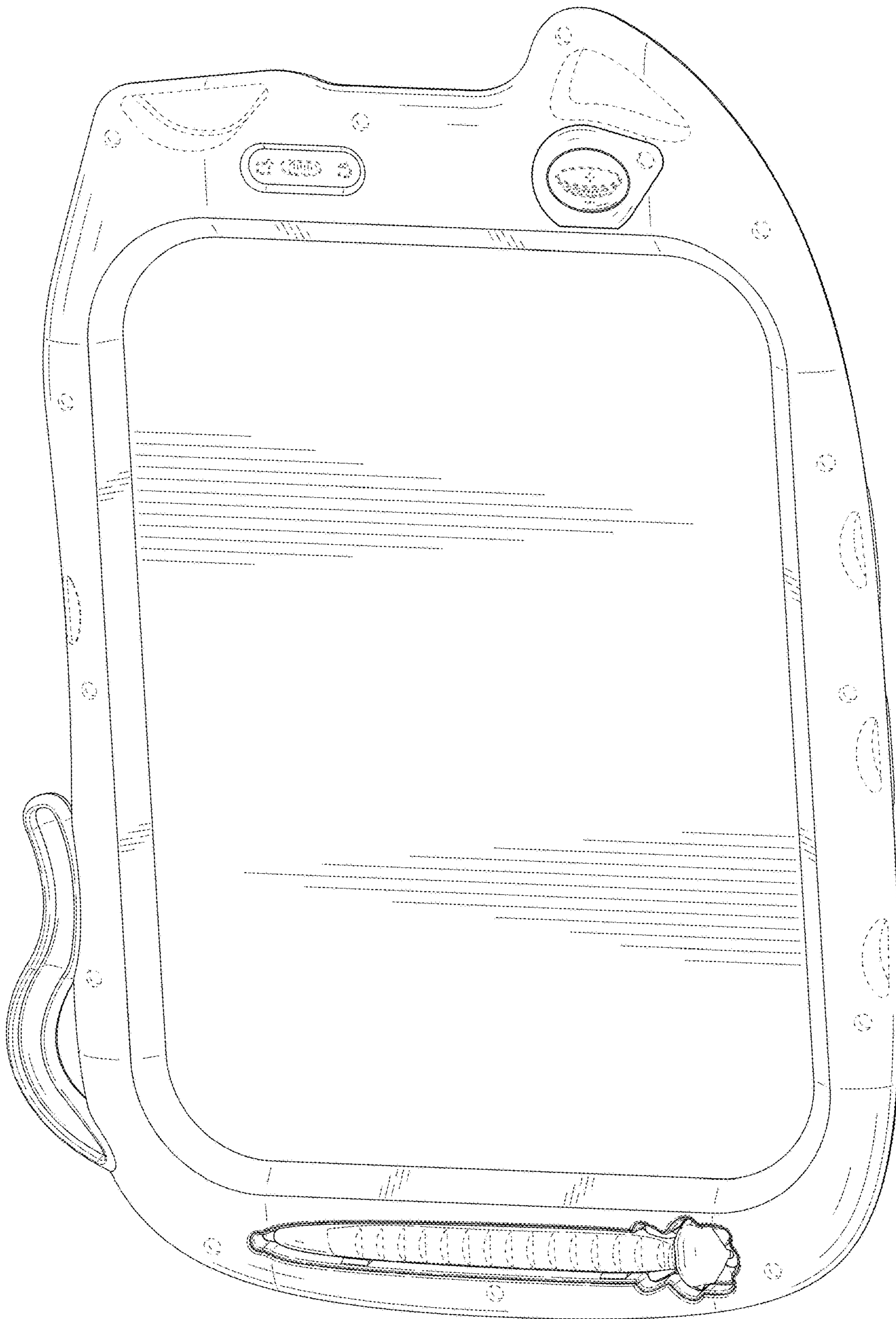


FIG. 2

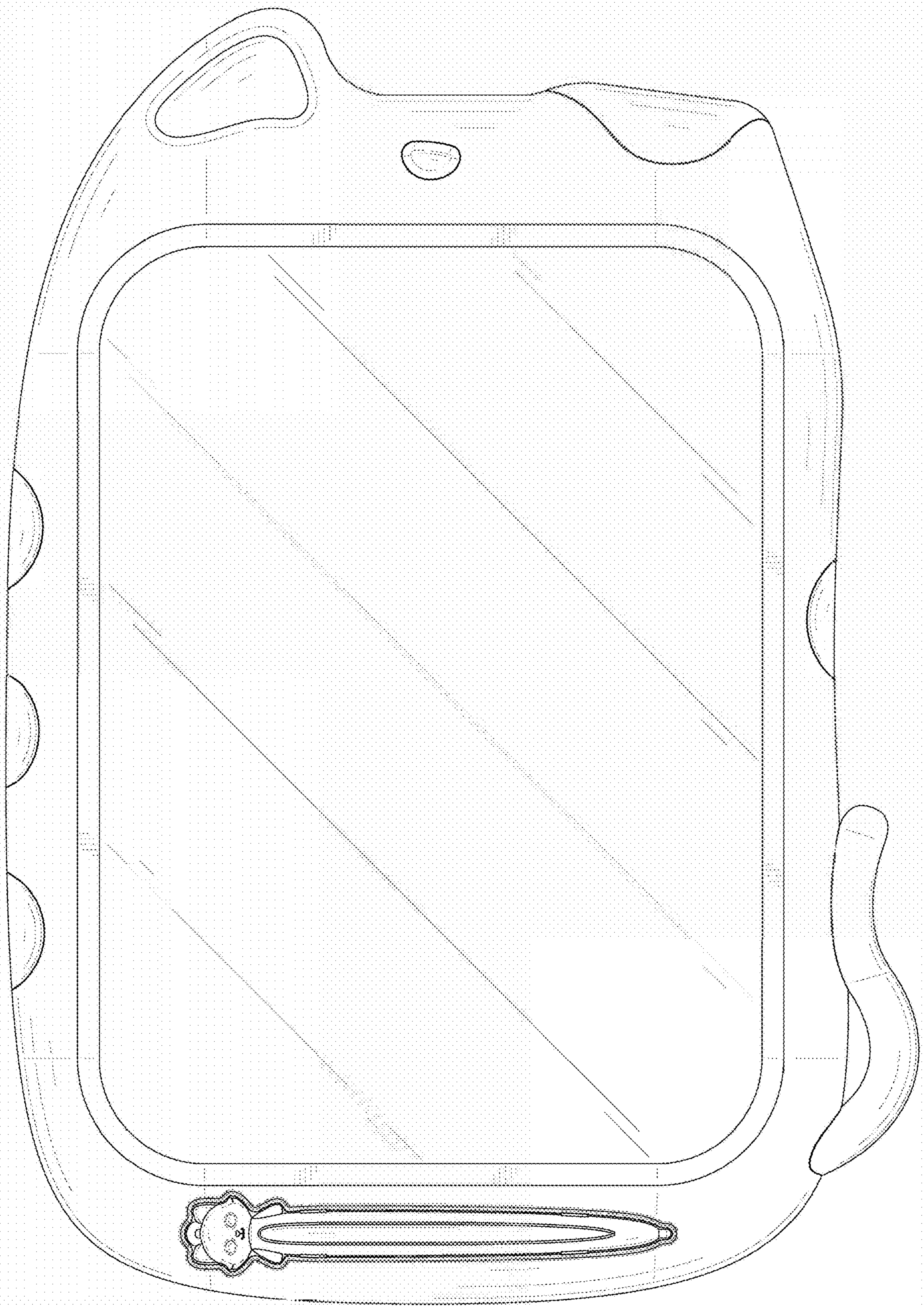


FIG. 3

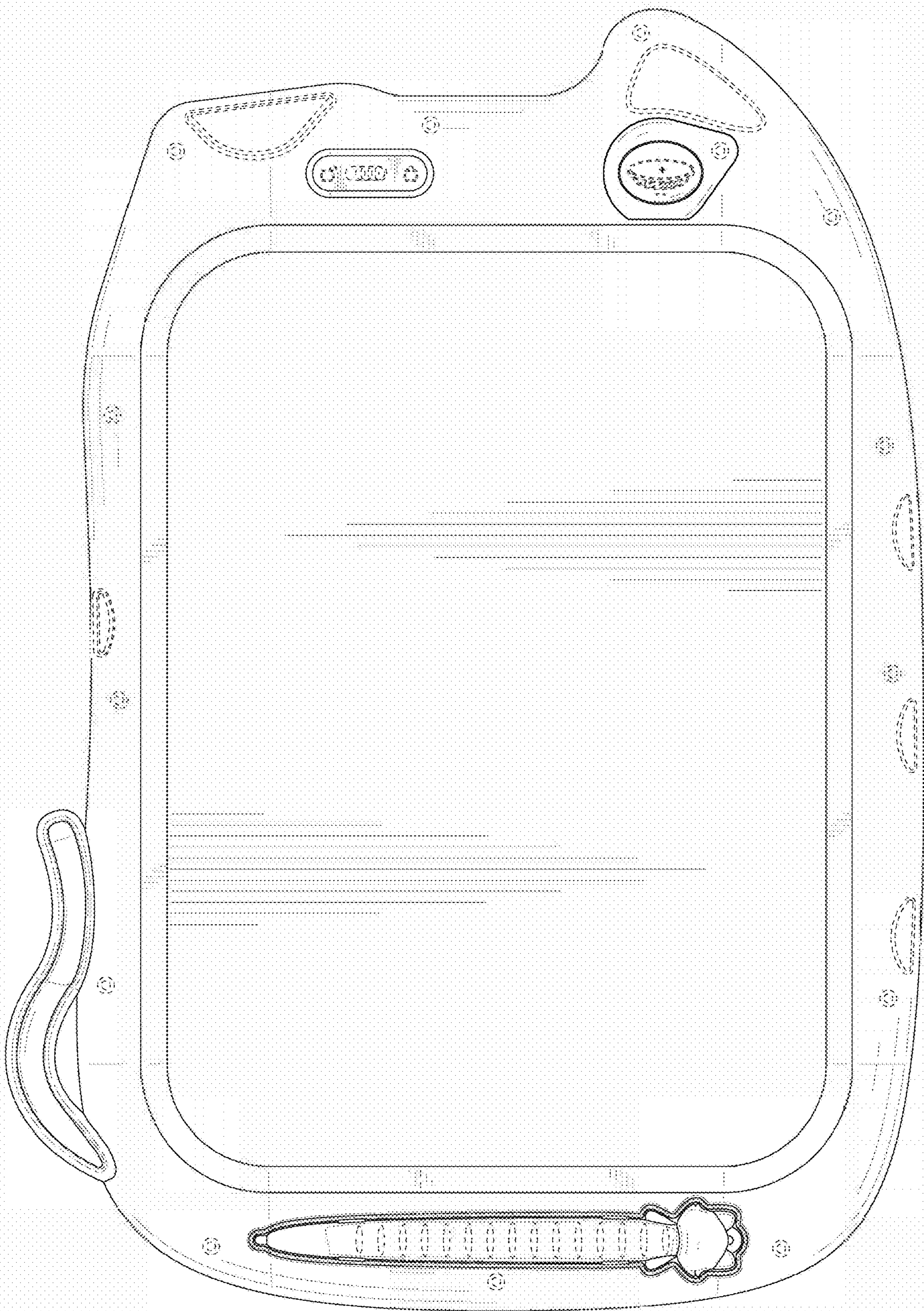


FIG. 4

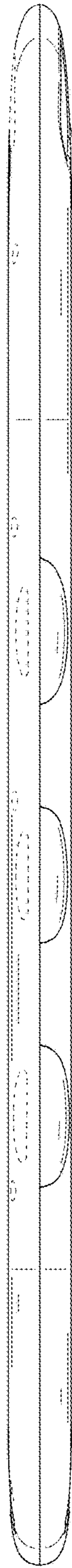


FIG. 5

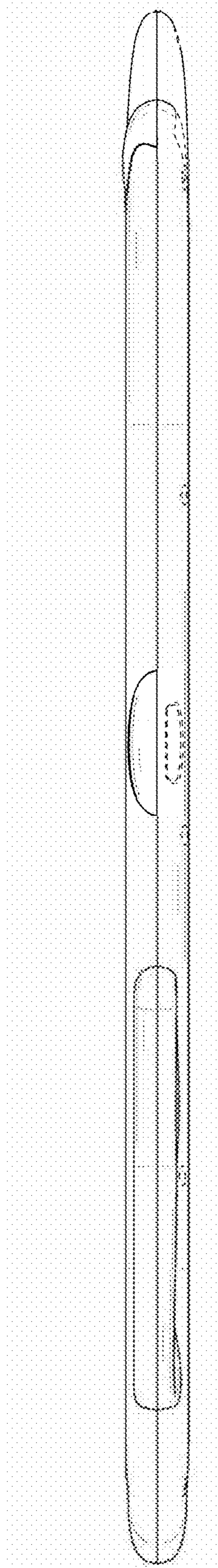


FIG. 6

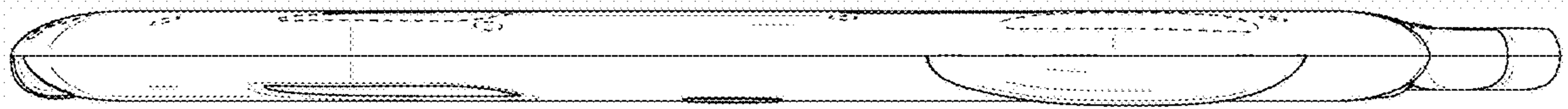


FIG. 7

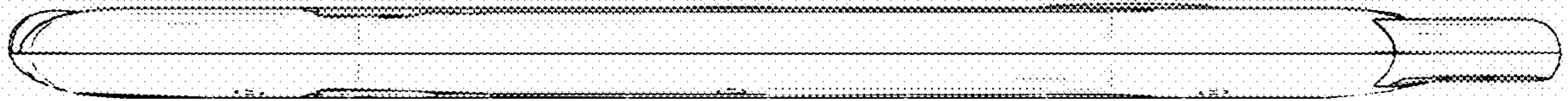


FIG. 8

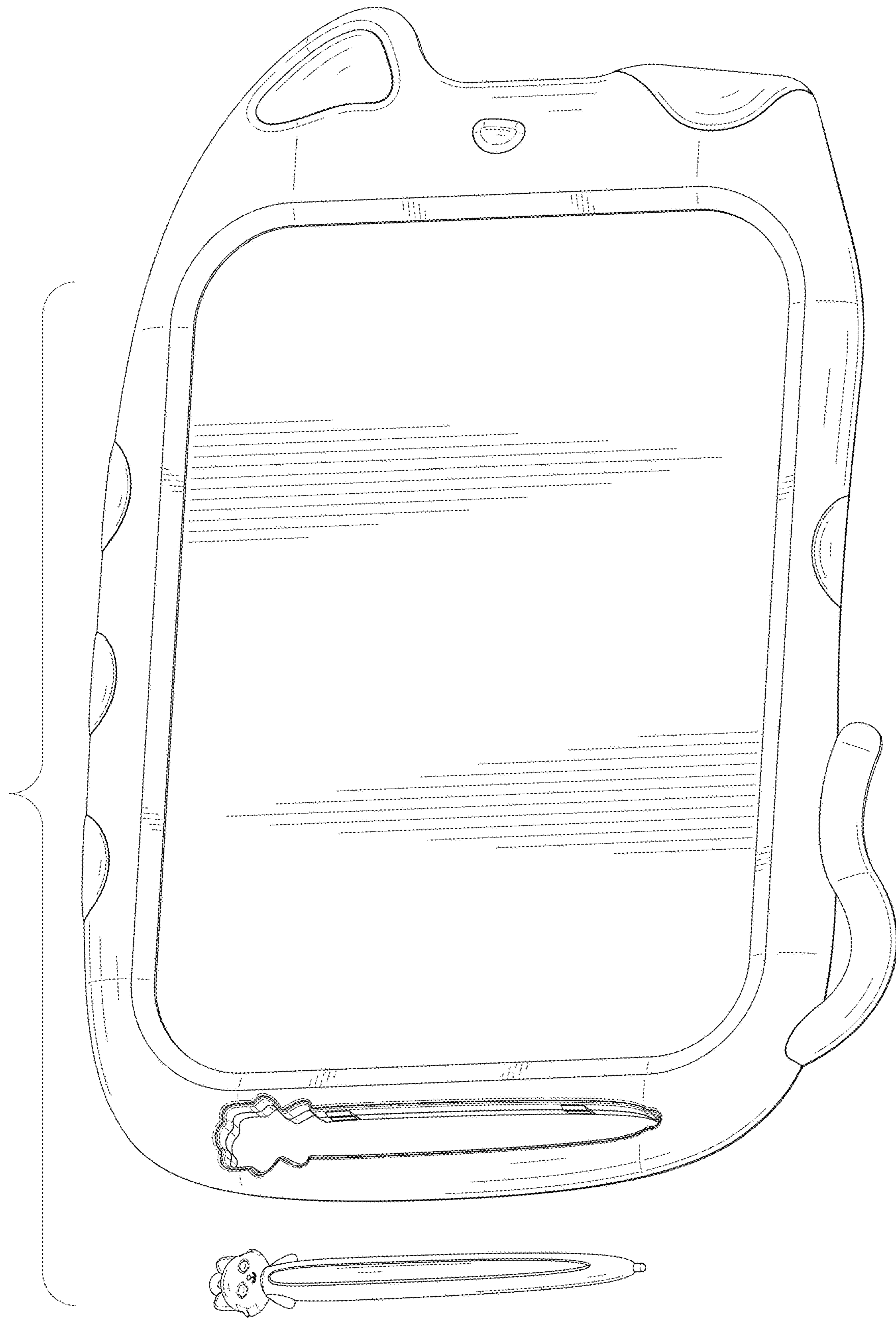


FIG. 9