



US00D948616S

(12) **United States Design Patent** (10) **Patent No.:** **US D948,616 S**  
**Zhao** (45) **Date of Patent:** **\*\* Apr. 12, 2022**

(54) **WRITING BOARD**  
(71) Applicant: **SHENZHEN BINZHEN HONGTUO INDUSTRIAL CO., LTD.**, Shenzhen (CN)  
(72) Inventor: **Kaidong Zhao**, Tianshui (CN)  
(73) Assignee: **SHENZHEN BINZHEN HONGTUO INDUSTRIAL CO., LTD.**, Shenzhen (CN)  
(\*\*) Term: **15 Years**

D495,705 S \* 9/2004 Borsboom ..... D14/371  
D496,360 S \* 9/2004 Borsboom ..... D14/371  
D513,614 S \* 1/2006 Tsao ..... D14/371  
D515,566 S \* 2/2006 Hwang ..... D14/371  
D515,568 S \* 2/2006 Hoehn ..... D14/371  
D515,569 S \* 2/2006 Hoehn ..... D14/371  
D515,570 S \* 2/2006 Hoehn ..... D14/371  
D515,571 S \* 2/2006 Hsieh ..... D14/371  
D515,572 S \* 2/2006 Hsieh ..... D14/371  
D515,573 S \* 2/2006 Liaw ..... D14/371  
D516,067 S \* 2/2006 Hsieh ..... D14/371  
D518,045 S \* 3/2006 Tsao ..... D14/371  
D521,960 S \* 5/2006 Hoehn ..... D14/126  
D546,789 S \* 7/2007 Lee ..... D14/126  
D577,207 S \* 9/2008 Tsai ..... D14/371  
D591,801 S \* 5/2009 Mak ..... D21/469

(Continued)

(21) Appl. No.: **29/820,657**  
(22) Filed: **Dec. 23, 2021**  
(51) **LOC (13) Cl.** ..... **19-06**  
(52) **U.S. Cl.**  
USPC ..... **D19/113**  
(58) **Field of Classification Search**  
USPC ..... D19/113, 114; D6/304, 406.1, 406.3;  
D14/129, 371; D21/329, 469  
CPC .... B43L 1/00; B43L 1/008; B43L 1/04; B43L  
1/06; B43L 1/08; B43L 1/10; B43L 1/12;  
B43L 1/126; B43L 5/00  
See application file for complete search history.

**FOREIGN PATENT DOCUMENTS**

EM 008816466-0001 \* 1/2021  
*Primary Examiner* — Elizabeth A. Albert

(57) **CLAIM**

The ornamental design for a writing board, as shown and described.

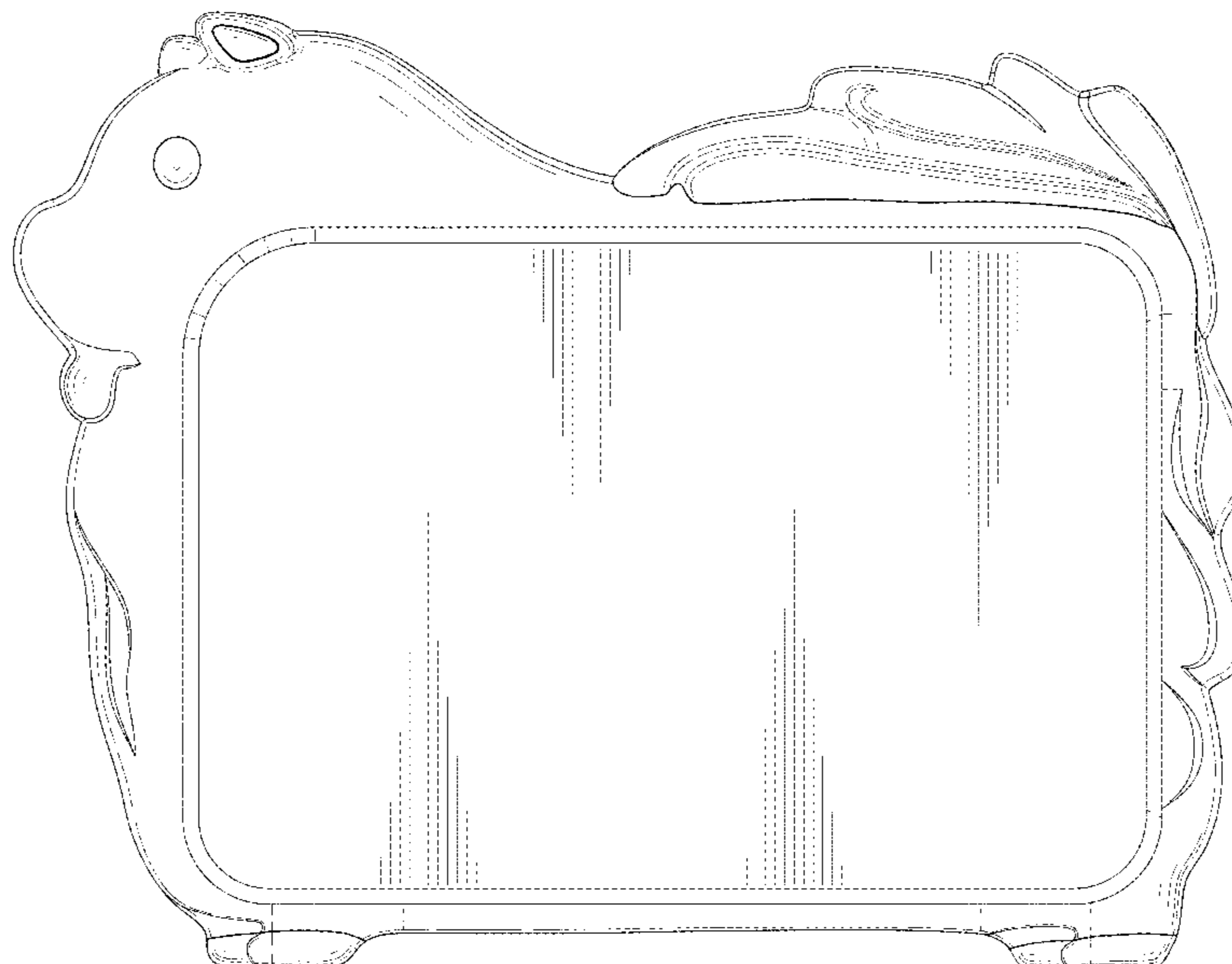
**DESCRIPTION**

FIG. 1 is a perspective view of a writing board showing my new design;  
FIG. 2 is another perspective view thereof;  
FIG. 3 is a front elevational view thereof;  
FIG. 4 is a rear elevational view thereof;  
FIG. 5 is a left side elevational view thereof;  
FIG. 6 is a right side elevational view thereof;  
FIG. 7 is a top plan view thereof;  
FIG. 8 is a bottom plan view thereof; and,  
FIG. 9 is an exploded perspective view of the writing board.  
The broken lines in the drawings depict portions of the writing board that form no part of the claimed design.

**1 Claim, 9 Drawing Sheets**

(56) **References Cited**  
U.S. PATENT DOCUMENTS

D158,527 S \* 5/1950 Steele ..... D21/617  
D292,011 S \* 9/1987 Thomson ..... D21/652  
D312,557 S \* 12/1990 Maddocks ..... D19/113  
5,674,104 A \* 10/1997 Ohashi ..... B43K 23/04  
446/131  
5,820,385 A \* 10/1998 Ohashi ..... B43L 1/008  
434/408  
D406,613 S \* 3/1999 Nakanishi ..... D21/329  
D419,190 S \* 1/2000 Mak ..... D21/469  
D476,653 S \* 7/2003 Zuege ..... D14/371  
D485,556 S \* 1/2004 Hoehn ..... D14/371



(56)

**References Cited**

U.S. PATENT DOCUMENTS

D592,624 S *	5/2009	Chen .....	D14/129
D595,714 S *	7/2009	Chu .....	D14/371
D596,178 S *	7/2009	Chu .....	D14/371
D599,562 S *	9/2009	Chen .....	D14/371
D599,796 S *	9/2009	Chu .....	D14/371
D606,997 S *	12/2009	Chiu .....	D14/371
D644,224 S *	8/2011	Chu .....	D14/371
D667,650 S *	9/2012	Roizin .....	D6/406.3
D696,039 S *	12/2013	Woodard .....	D6/406.3
D740,572 S *	10/2015	Sudhakar .....	D6/304
D867,452 S	11/2019	Morris	
D899,521 S *	10/2020	Li .....	D19/113
D928,230 S *	8/2021	Li .....	D19/113
D933,622 S *	10/2021	Li .....	D14/371
D935,525 S	11/2021	Ji	

\* cited by examiner

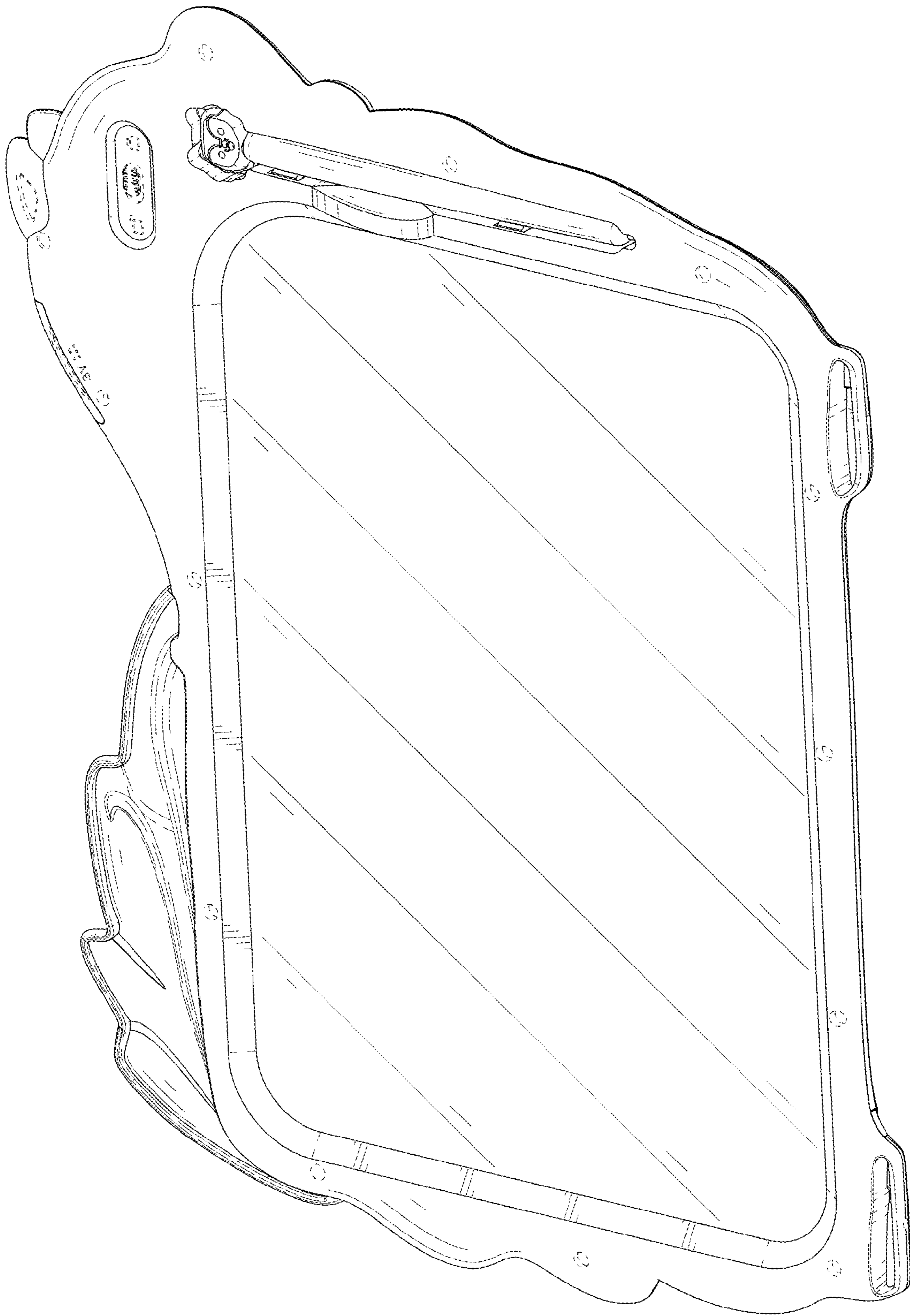


FIG. 1

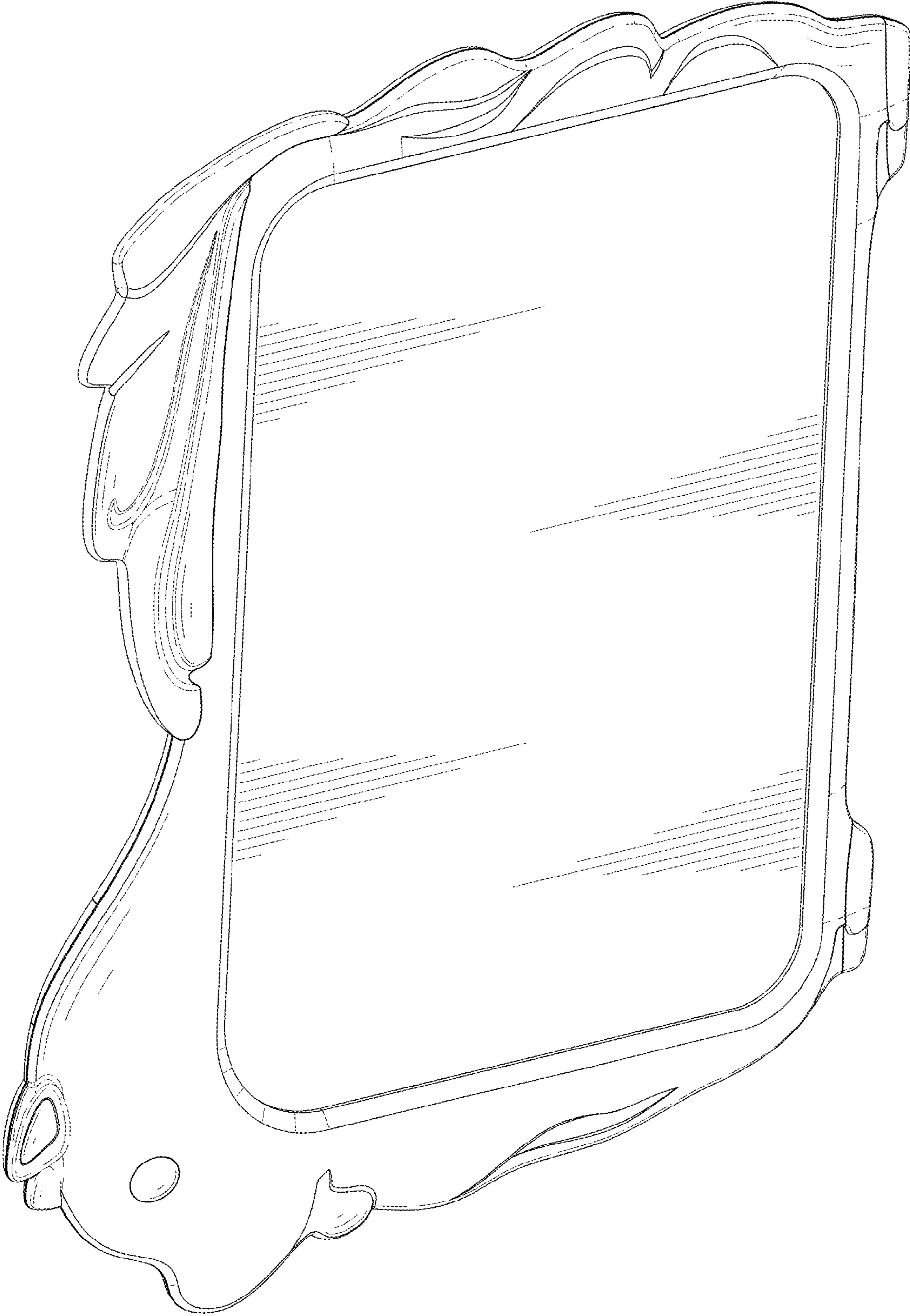


FIG. 2

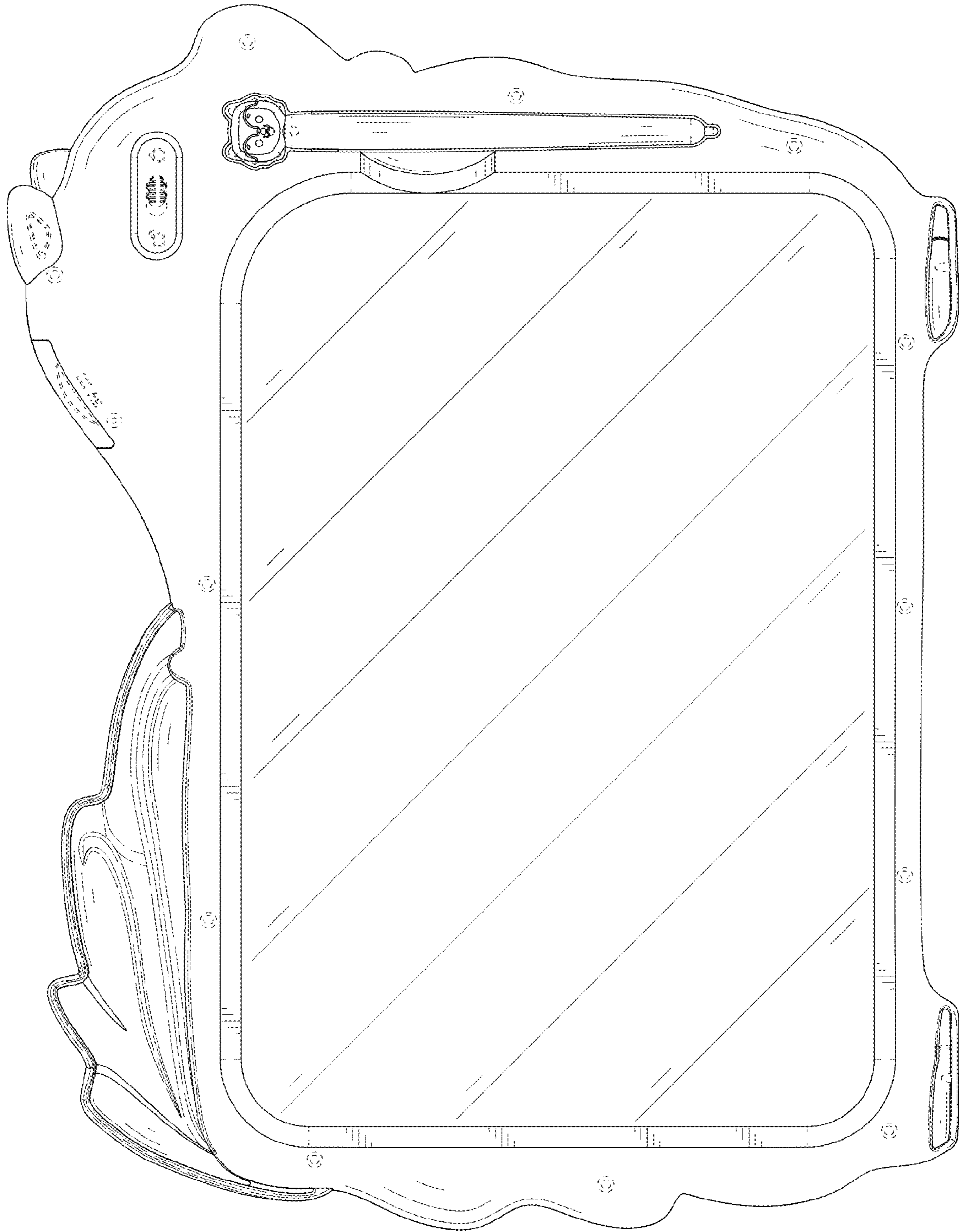


FIG. 3

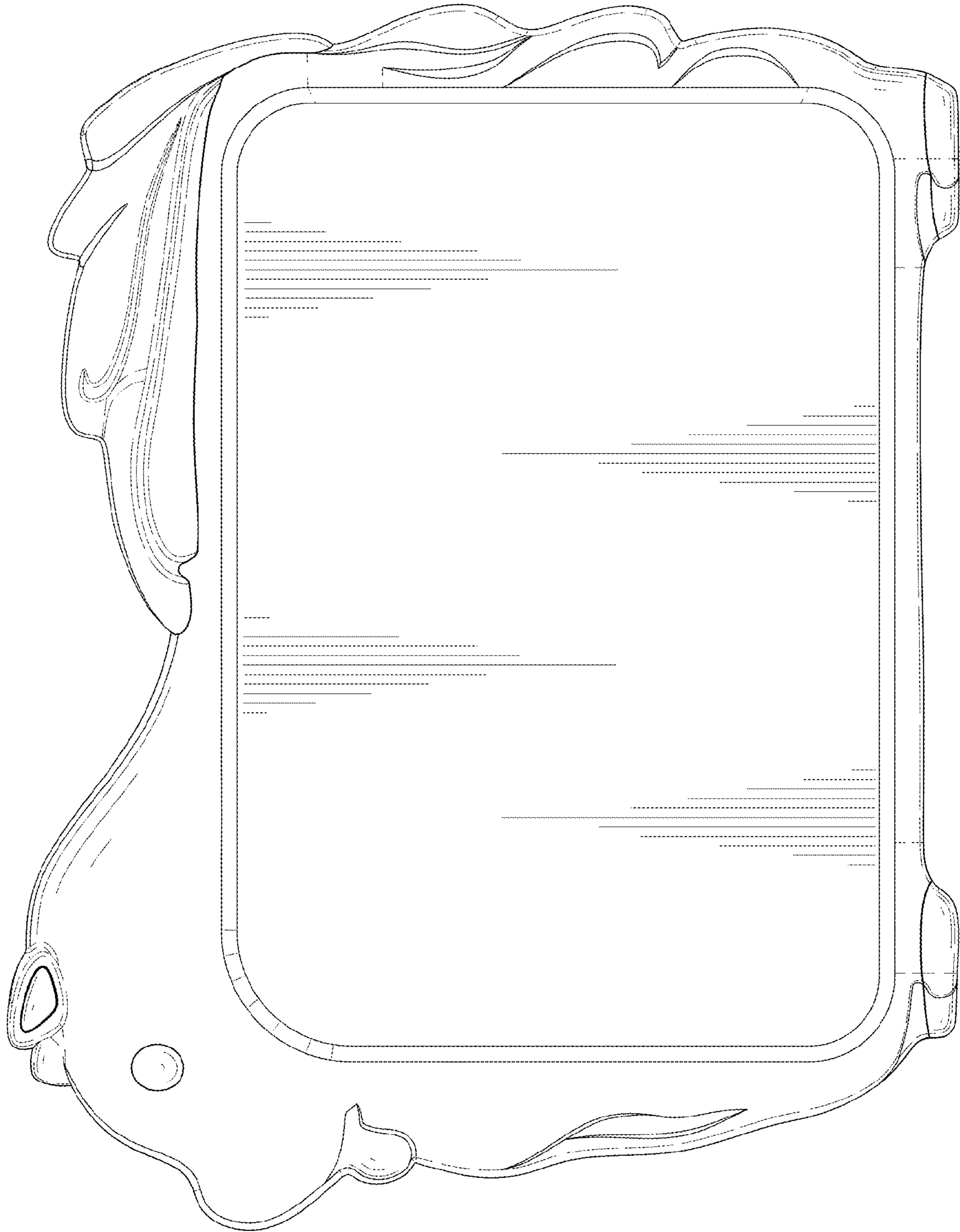


FIG. 4

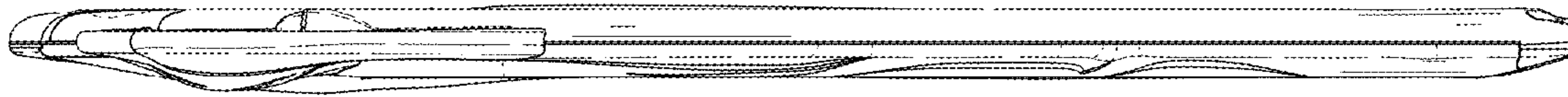


FIG. 5

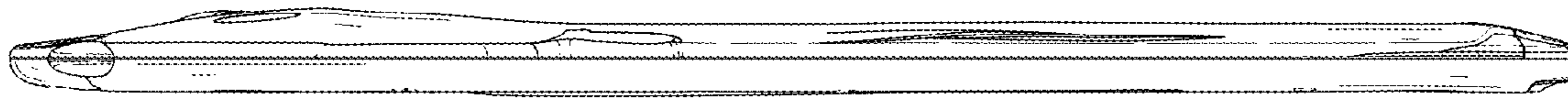


FIG. 6



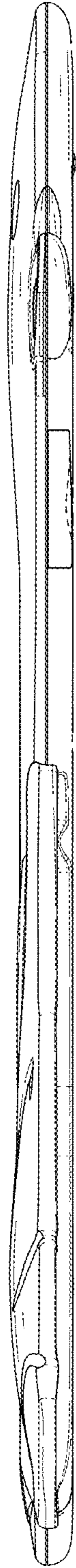


FIG. 7

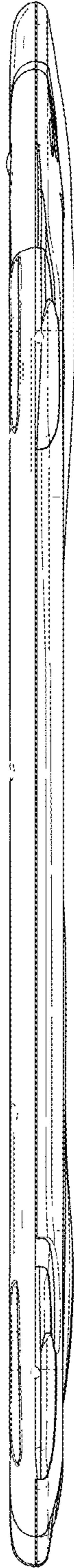


FIG. 8

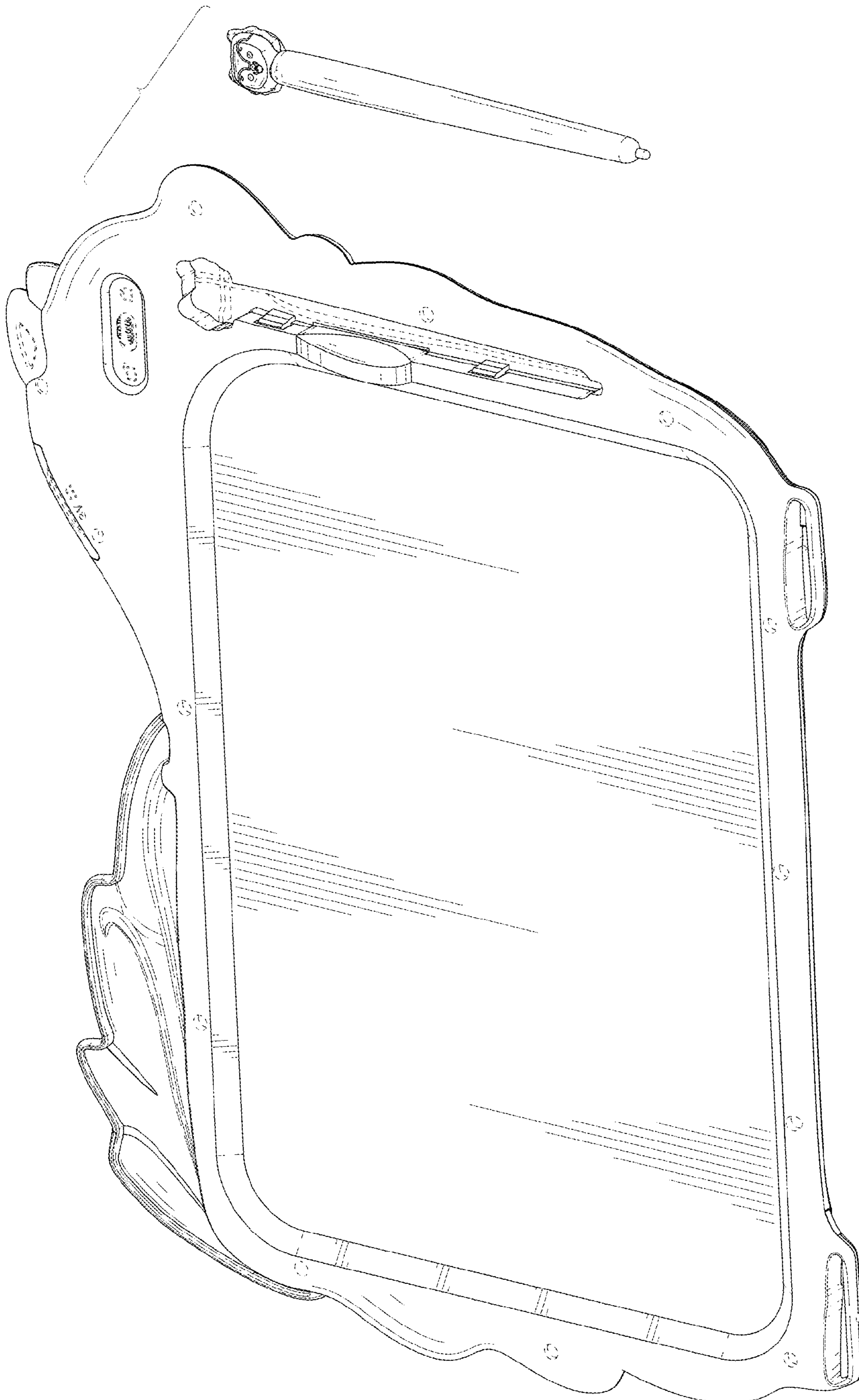


FIG. 9