



US00D948615S

(12) **United States Design Patent**  
**Li et al.**

(10) **Patent No.:** **US D948,615 S**  
(45) **Date of Patent:** **\*\* Apr. 12, 2022**

- (54) **SUPPLY ORGANIZER**
- (71) Applicant: **Guangzhou Shoujia Electronic Technology Co., Ltd.,** Guangzhou (CN)
- (72) Inventors: **Wanping Li,** Guangzhou (CN); **Danhua Zhu,** Guangzhou (CN); **Feiyi Chen,** Guangzhou (CN)
- (\*\*) Term: **15 Years**
- (21) Appl. No.: **29/779,997**
- (22) Filed: **Apr. 22, 2021**
- (51) **LOC (13) Cl.** ..... **19-06**
- (52) **U.S. Cl.**  
USPC ..... **D19/107**
- (58) **Field of Classification Search**  
USPC ..... D19/102, 107, 75, 77, 81-85; D3/313, D3/314; D7/601, 640, 641; D28/73  
CPC ..... A45C 11/36; B43M 99/00; B43M 99/001; B43M 99/008; B43M 99/009  
See application file for complete search history.

- D214,768 S \* 7/1969 Hillis ..... D19/23
- 3,489,289 A \* 1/1970 Scott-Fenton ..... B25H 3/06
- 211/78
- D222,636 S \* 11/1971 Nichols ..... D8/358
- 4,112,619 A \* 9/1978 Morsani ..... A01G 9/02
- 47/66.1
- 4,117,629 A \* 10/1978 Ekdahl ..... A01G 9/02
- 211/107
- D251,763 S \* 5/1979 Sovey ..... D11/130.1
- 4,305,511 A \* 12/1981 Denholtz ..... B25H 3/04
- 211/70
- D279,950 S \* 8/1985 Wan ..... D6/680
- 4,534,474 A \* 8/1985 Ng ..... B25H 3/04
- 206/501

(Continued)

(56) **References Cited**

**U.S. PATENT DOCUMENTS**

- 226,645 A \* 4/1880 Albaugh ..... A47F 5/13
- 211/129.1
- 254,006 A \* 2/1882 Hake ..... A47G 7/07
- 47/41.11
- 417,082 A \* 12/1889 Pichereau ..... B43L 25/10
- 211/69.2
- 908,338 A \* 12/1908 Sheble et al. .... B65D 25/04
- 217/7
- 986,395 A \* 3/1911 King ..... A01G 9/28
- 47/33
- 2,457,875 A \* 1/1949 Day ..... A45C 11/02
- 206/8
- 2,496,758 A \* 2/1950 Tingley ..... A47G 7/07
- 47/41.13
- 3,397,804 A \* 8/1968 Davis ..... B65D 71/00
- 220/506

**OTHER PUBLICATIONS**

Gamenote Rotating Art Supply Organizer, 191 ratings, Part No. SO1, ASIN: B08RRWP81Z, online on Amazon.com, Date First Available: Dec. 31, 2020.\*

*Primary Examiner* — Elizabeth A. Albert

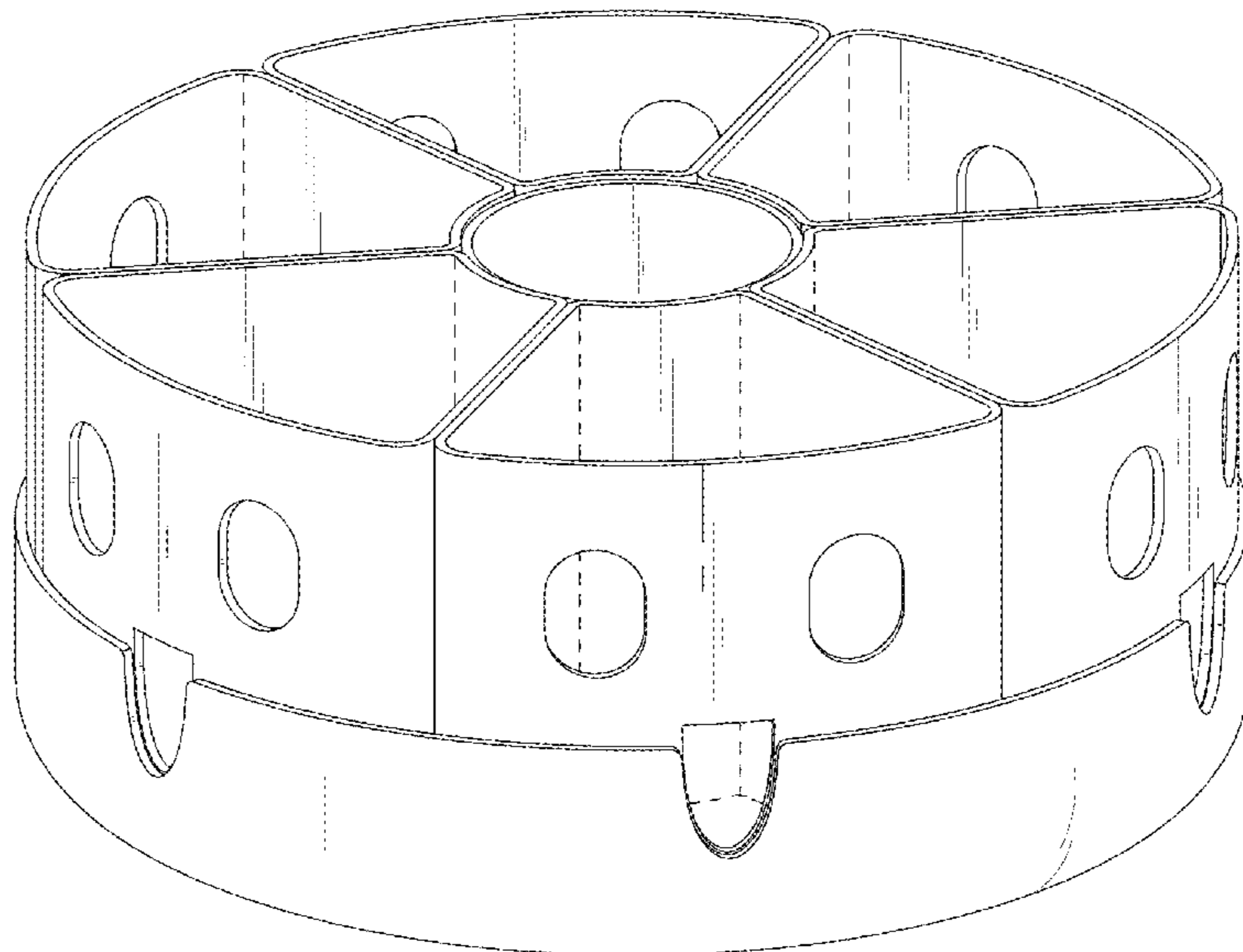
(57) **CLAIM**

The ornamental design for a supply organizer, as shown and described.

**DESCRIPTION**

FIG. 1 is a front and top perspective view of a supply organizer, showing our new design; FIG. 2 is a top plan view thereof; FIG. 3 is a left side elevation view thereof; FIG. 4 is a front elevation view thereof; FIG. 5 is a right side elevation view thereof; FIG. 6 is a rear elevation view thereof; and, FIG. 7 is a bottom plan view thereof. The broken lines in the figures illustrate portions of the article that form no part of the claimed design.

**1 Claim, 7 Drawing Sheets**



(56)

**References Cited**

## U.S. PATENT DOCUMENTS

4,708,256 A \* 11/1987 Intardonato ..... A47G 23/06  
220/23.4  
4,788,792 A \* 12/1988 Womick ..... A01G 9/028  
47/41.12  
5,406,745 A \* 4/1995 Lin ..... A01G 9/033  
47/1.01 F  
5,441,164 A \* 8/1995 Beck ..... A47G 19/06  
220/574  
D367,408 S \* 2/1996 Fordyce ..... D19/77  
D407,753 S \* 4/1999 Kwok ..... D19/77  
D418,947 S \* 1/2000 Greiner ..... D19/77  
D490,848 S \* 6/2004 Pope ..... D19/107  
6,942,109 B2 \* 9/2005 Aros ..... A47F 5/02  
211/131.1  
D575,986 S \* 9/2008 Cetera ..... D7/501  
D583,870 S \* 12/2008 Allen ..... D19/85  
D587,529 S \* 3/2009 Pratt ..... D7/553.8  
D609,058 S \* 2/2010 Roth ..... D7/602  
D617,383 S \* 6/2010 Yoon ..... D19/85  
D619,364 S \* 7/2010 Barrick ..... D3/315  
7,980,387 B2 \* 7/2011 Allen ..... B43K 23/001  
206/214  
D650,861 S \* 12/2011 Chuang ..... D19/77  
D669,322 S \* 10/2012 Evans ..... D7/640  
D701,567 S \* 3/2014 Abdullah ..... D19/77  
D708,257 S \* 7/2014 Camarata ..... D19/77  
9,345,344 B1 \* 5/2016 Arabi-Beam ..... A45C 5/005  
D834,891 S \* 12/2018 Greenwood ..... D7/501  
D898,116 S 10/2020 Snell  
D910,348 S \* 2/2021 Snell ..... D6/677

\* cited by examiner

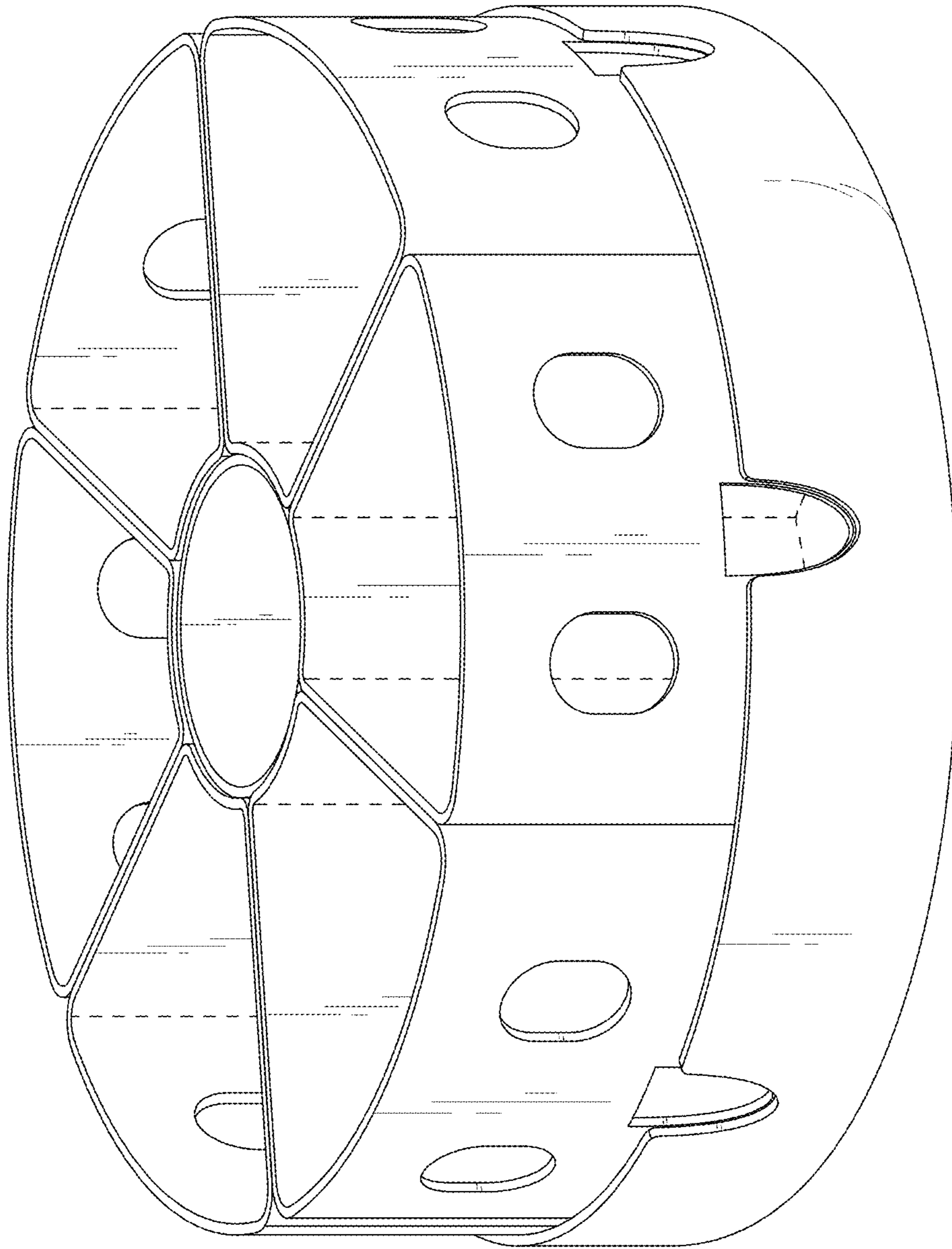


FIG. 1

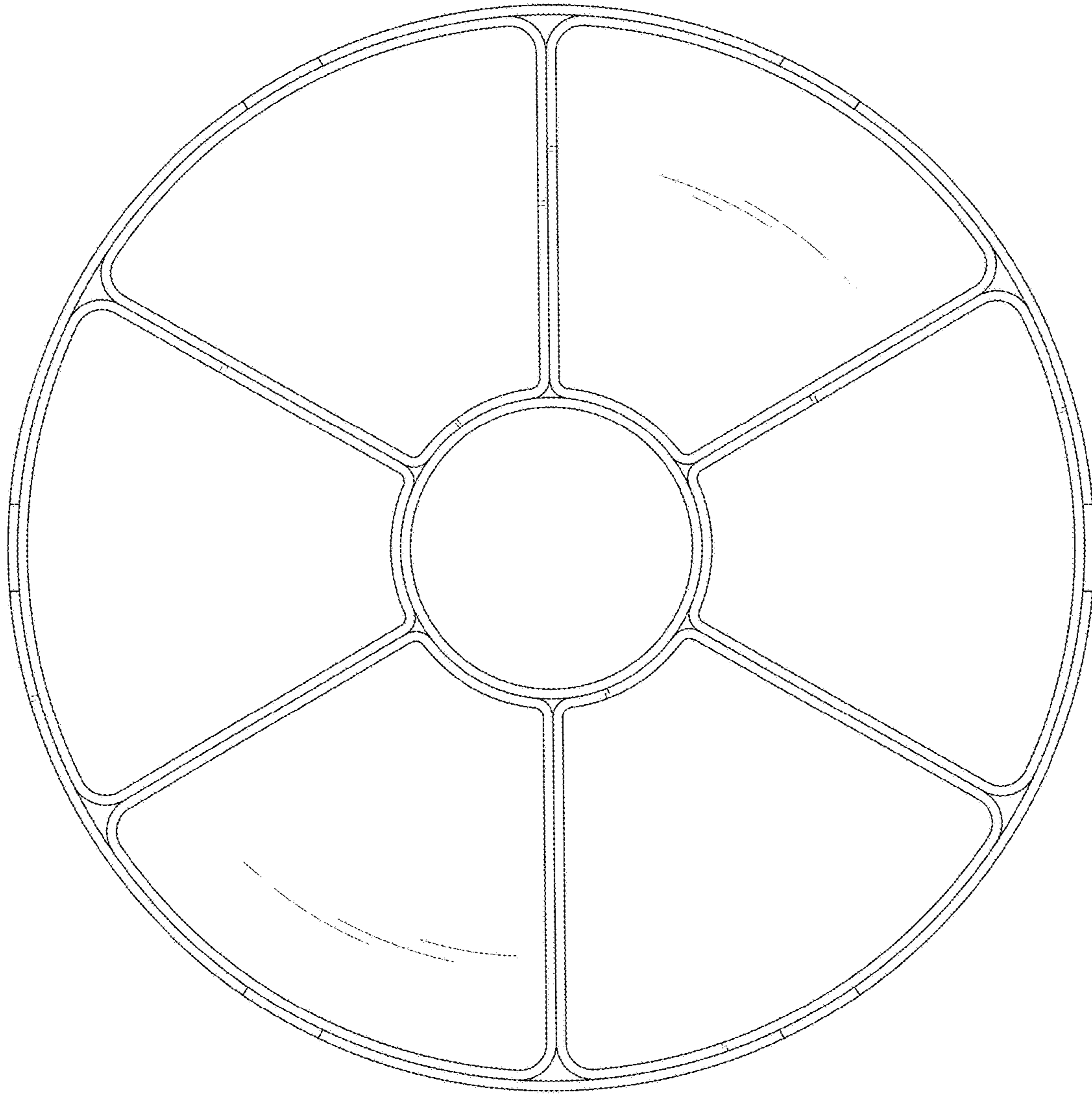


FIG. 2

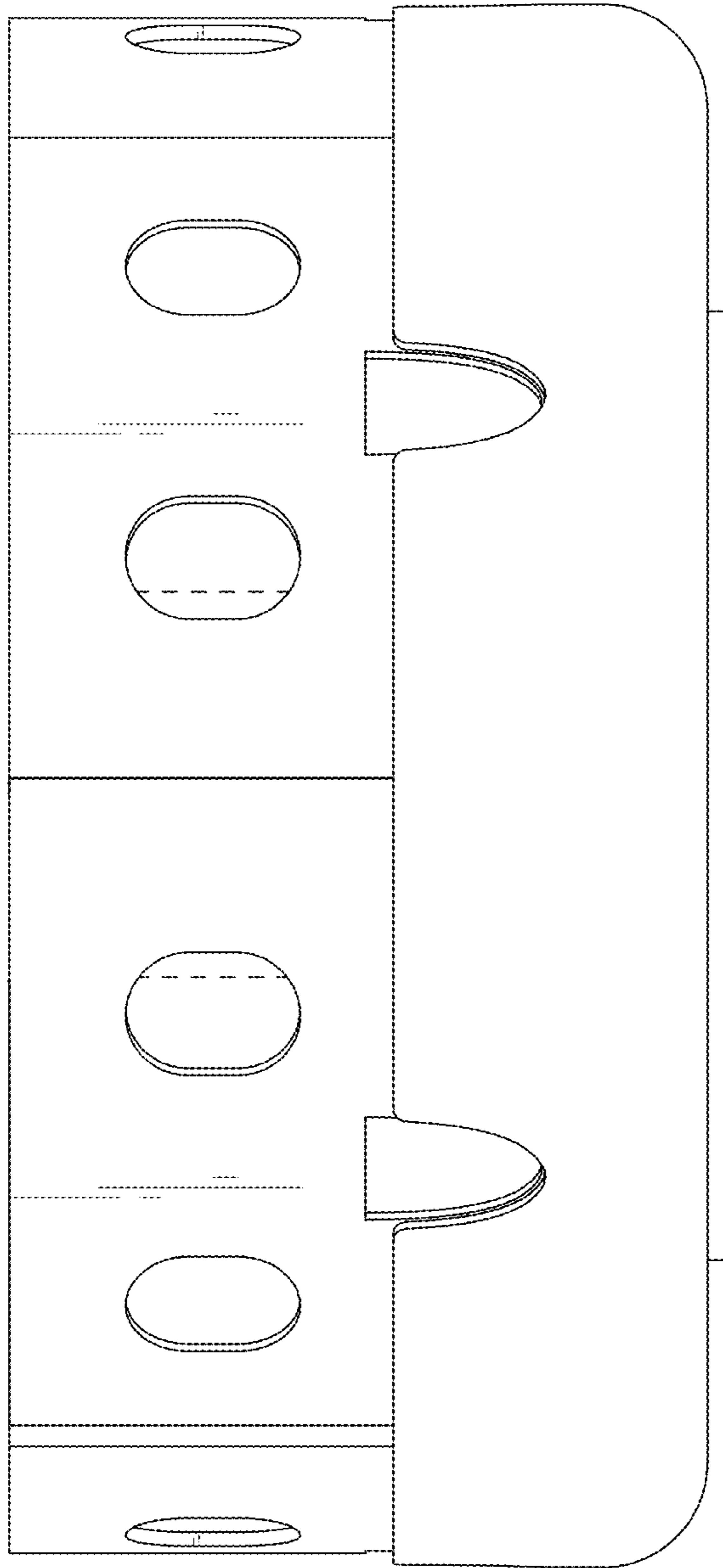


FIG. 3



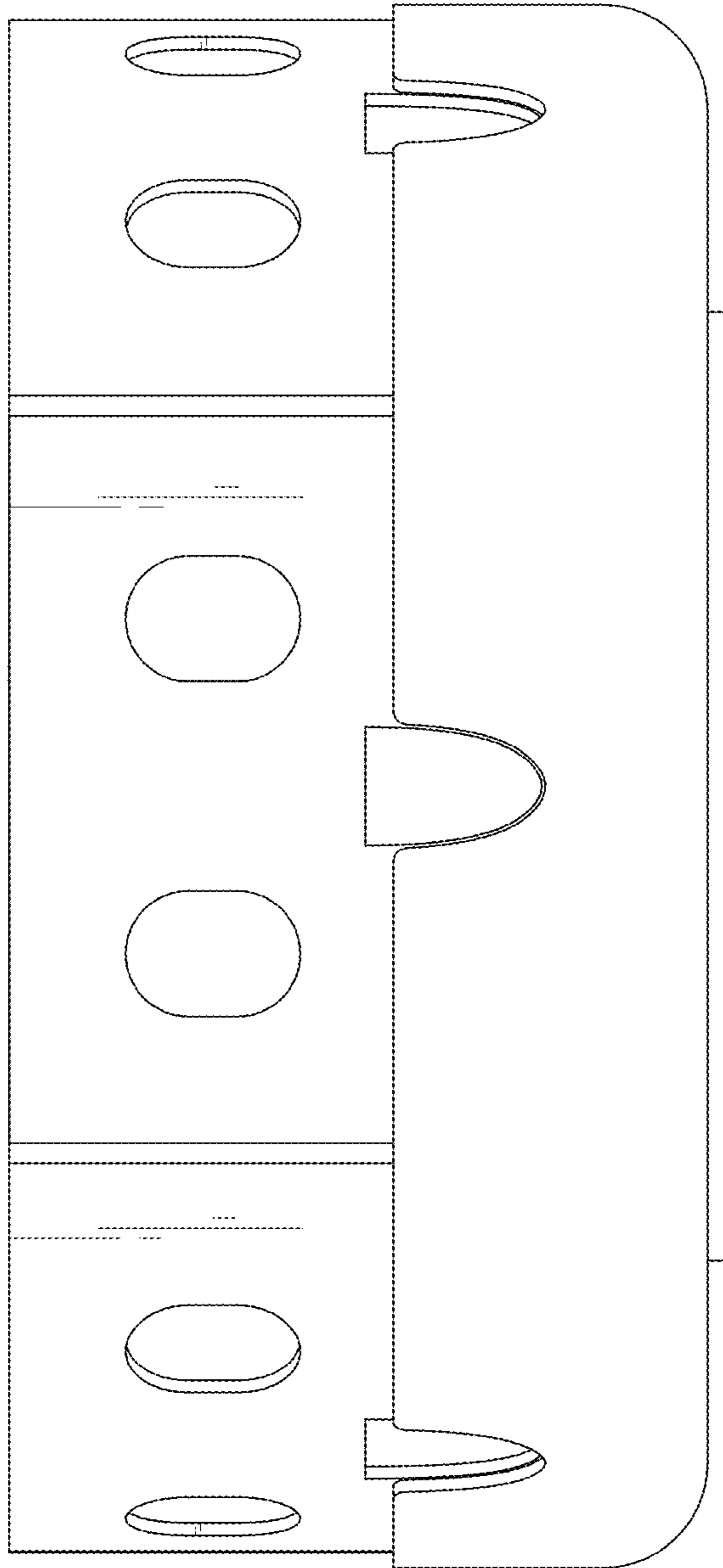


FIG. 4

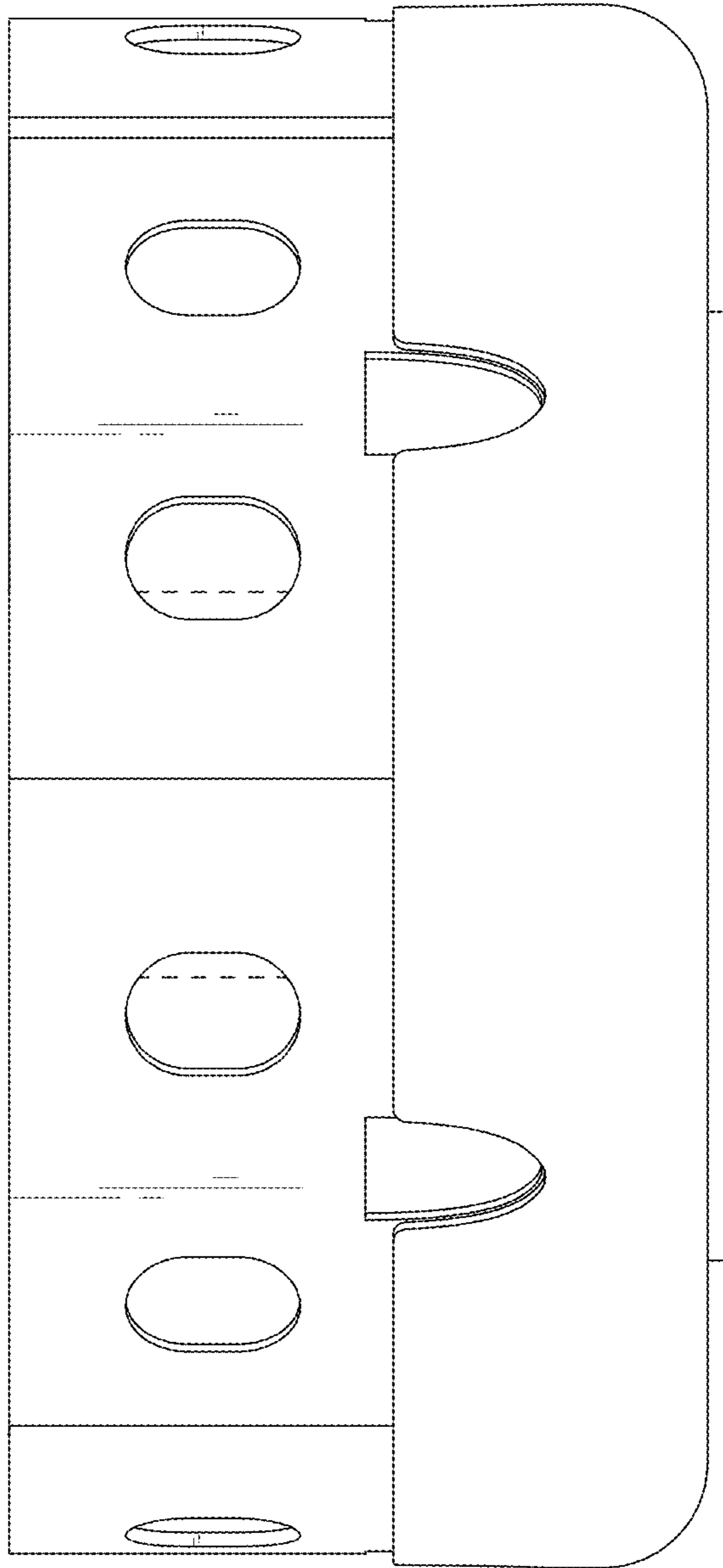


FIG. 5

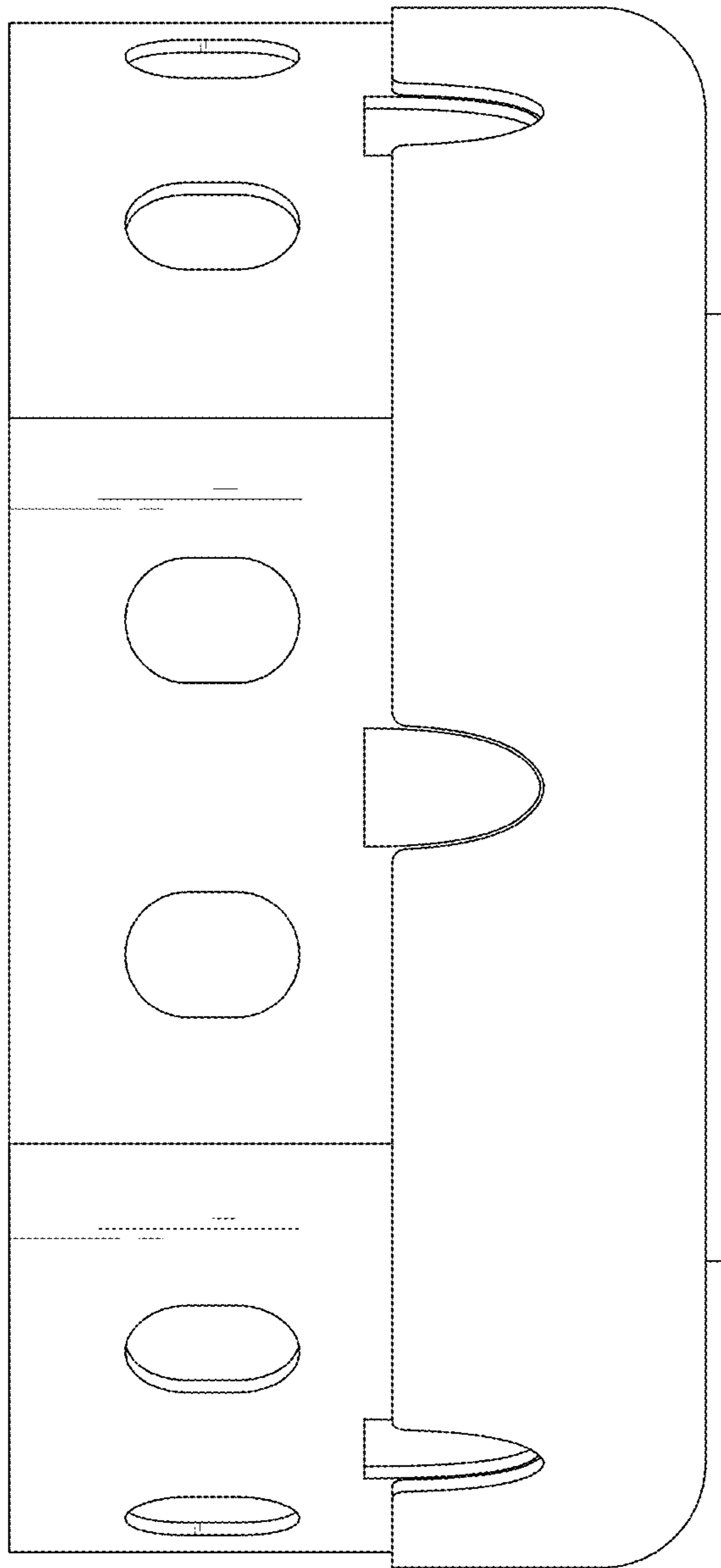


FIG. 6



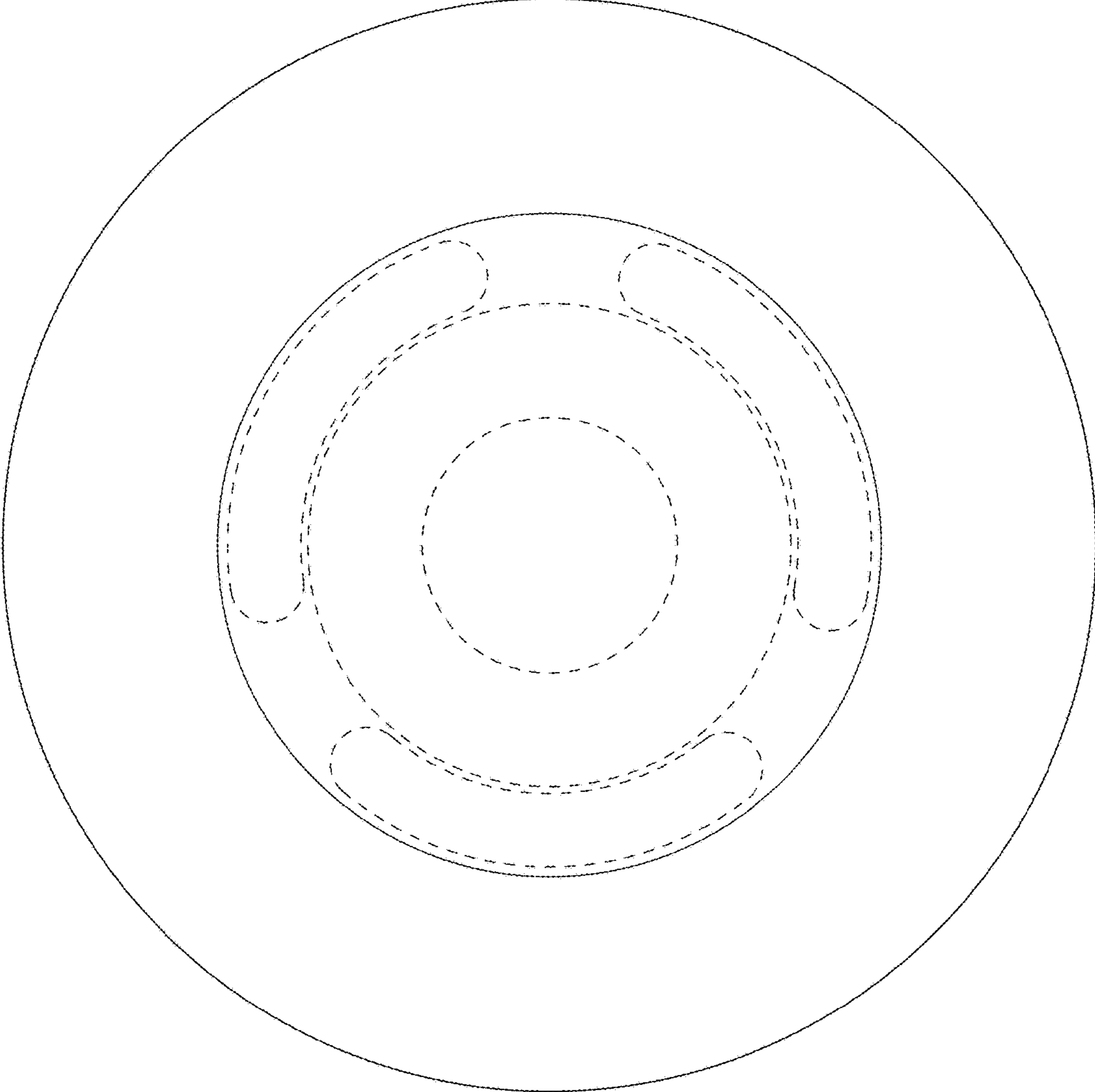


FIG. 7