



US00D948612S

(12) **United States Design Patent**
Oguchi et al.

(10) **Patent No.:** **US D948,612 S**
(45) **Date of Patent:** **** Apr. 12, 2022**

(54) **PAPER TRAY FOR PRINTER**

- (71) Applicant: **BROTHER INDUSTRIES, LTD.**,
Nagoya (JP)
- (72) Inventors: **Takaaki Oguchi**, Nagoya (JP); **Toshiya Inada**, Nagoya (JP); **Masahide Asano**,
Nagoya (JP)
- (73) Assignee: **BROTHER INDUSTRIES, LTD.**,
Nagoya (JP)
- (**) Term: **15 Years**

(21) Appl. No.: **29/717,197**

(22) Filed: **Dec. 16, 2019**

(30) **Foreign Application Priority Data**

Jun. 14, 2019 (JP) 2019-013125

(51) **LOC (13) Cl.** **18-02**

(52) **U.S. Cl.**
USPC **D18/56**

(58) **Field of Classification Search**

USPC D15/122, 135-138, 141, 66, 73, 76-78,
D15/89; D18/53, 59, 50, 14, 19, 54-57,
D18/36-45, 34.4, 34.5, 34.6, 18, 51, 12,
D18/46-49; D14/301-303, 307, 345,
D14/420-425, 462; D6/691.4, 675, 708;
D13/107, 108; D19/92, 77, 99;
D7/554.3, 637; D3/304, 313; D9/424;
D8/313, 314, 301, 315, 300, 302, 307;
D34/1

CPC B41J 2/14; B41J 1/54; B41J 3/4073; B41J
3/4078; B41F 17/22; B41F 17/003; B41F
17/38; B28B 1/001; G03G 15/08; G03G
15/0891; G03G 15/0875; G03G
2215/0827; G03G 2215/0855; G03G
21/1842

See application file for complete search history.

(56) **References Cited**

U.S. PATENT DOCUMENTS

- 788,879 A * 5/1905 Borsig A47B 95/02
40/325
- D94,120 S * 12/1934 De Vries D8/313

(Continued)

FOREIGN PATENT DOCUMENTS

JP D1306715 * 7/2007

OTHER PUBLICATIONS

Trim 160mm Oak, no date available [online], [retrieved Jul. 14, 2021], Available from Internet, URL: <https://www.thelockandhandle.com/product/trim-160mm-oak/>.*

(Continued)

Primary Examiner — Kevin K Rudzinski

(74) *Attorney, Agent, or Firm* — Oliff PLC

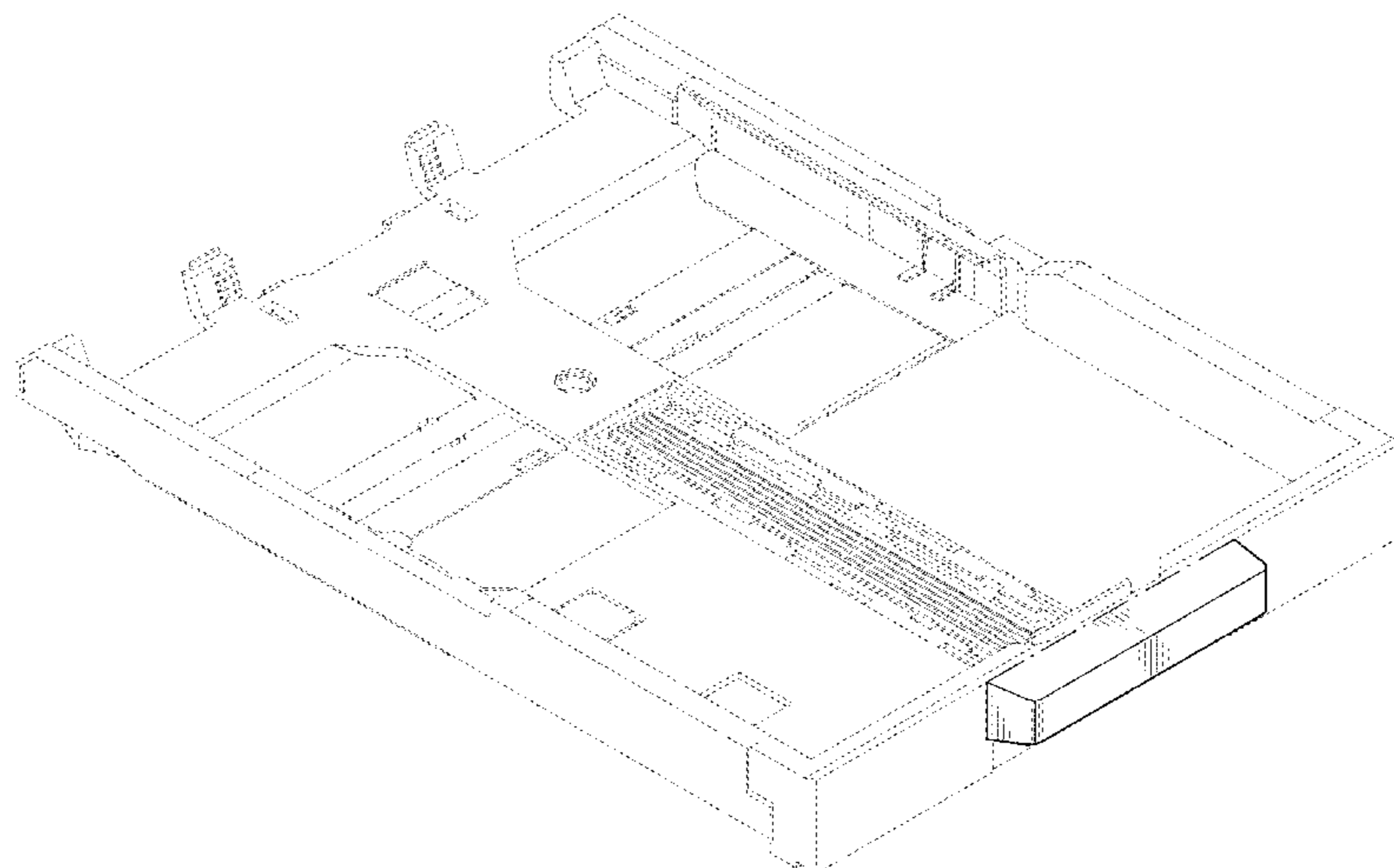
(57) **CLAIM**

The ornamental design for a paper tray for printer, as shown and described.

DESCRIPTION

FIG. 1 is a perspective view of a paper tray for printer showing the new design;
 FIG. 2 is a front elevational view thereof;
 FIG. 3 is a top plan view thereof;
 FIG. 4 is a left-side elevational view thereof;
 FIG. 5 is a right-side elevational view thereof;
 FIG. 6 is a rear elevational view thereof;
 FIG. 7 is a bottom plan view thereof; and,
 FIG. 8 is a perspective view thereof in a state of use.
 The evenly spaced broken line showing of a printer in FIG. 8 depicts environmental subject matter that forms no part of the claimed design. All other evenly spaced broken lines depict portions of the paper tray for printer that form no part of the claimed design. The dot-dash chain lines depict a boundary of the claimed subject matter and form no part of the claimed design.

1 Claim, 5 Drawing Sheets



(56)

References Cited

U.S. PATENT DOCUMENTS

D171,877 S * 4/1954 Armstrong D8/313
 2,800,984 A * 7/1957 Burtchaell A45C 13/26
 16/408
 D182,558 S * 4/1958 Willman D8/313
 D193,178 S * 7/1962 Meidell D8/302
 D203,271 S * 12/1965 Camp D13/160
 D214,713 S * 7/1969 Unter D8/302
 D235,454 S * 6/1975 Lindow, Jr. D13/119
 D258,561 S * 3/1981 Dallaire D8/300
 D324,121 S * 2/1992 Schierlinger D34/1
 D429,140 S * 8/2000 Schacht D8/314
 D445,822 S * 7/2001 Tosa D18/40
 D547,368 S * 7/2007 Han D18/43
 D551,286 S * 9/2007 Han D18/43
 D553,586 S * 10/2007 Devenish, III D13/184
 D556,019 S * 11/2007 Symons D8/356
 D569,704 S * 5/2008 Ricereto D8/315
 D577,746 S * 9/2008 Rand D15/89
 D578,832 S * 10/2008 Lloyd-Morris D7/637
 D586,847 S * 2/2009 Han D18/43
 D591,338 S * 4/2009 Kusudo D18/43
 D609,270 S * 2/2010 Kato D18/55
 D616,926 S * 6/2010 Holderfield D18/34.5
 D636,433 S * 4/2011 Kim D18/43
 D647,956 S * 11/2011 Kweon D18/43
 D652,862 S * 1/2012 Mori D18/43
 D666,665 S * 9/2012 Kweon D18/43
 D668,289 S * 10/2012 Yamaguchi D18/43
 8,554,107 B2 * 10/2013 Itabashi G03G 15/0886
 399/106
 8,577,250 B2 * 11/2013 Itabashi G03G 15/0886
 399/105
 D694,815 S * 12/2013 Fukamachi D18/43
 D694,816 S * 12/2013 Fukamachi D18/43
 8,639,156 B2 * 1/2014 Itabashi G03G 15/0886
 399/110
 8,639,163 B2 * 1/2014 Itabashi G03G 15/0865
 399/260
 D703,022 S * 4/2014 Nordwall B25G 1/04
 D8/307
 D705,349 S * 5/2014 Choi D18/43
 D706,339 S * 6/2014 Choi D18/43
 D712,460 S * 9/2014 Koshimori D18/43
 8,886,075 B2 * 11/2014 Shinoya G03G 21/1867
 399/90
 D722,963 S * 2/2015 Au-Yeung D13/108

D723,614 S * 3/2015 Shimizu D18/43
 D781,127 S * 3/2017 Shoemaker D8/315
 D795,340 S * 8/2017 Taguchi D18/43
 D810,193 S * 2/2018 Etoh D18/43
 D813,871 S * 3/2018 Egami D14/422
 D816,735 S * 5/2018 Kim D15/89
 D843,810 S * 3/2019 Hall D8/316
 D860,758 S * 9/2019 Hall D8/313
 D865,051 S * 10/2019 Yokoi D18/43
 D872,175 S * 1/2020 Lin D18/40
 10,606,189 B1 * 3/2020 Zhu G03G 15/0891
 D900,586 S * 11/2020 Pille D8/315
 D912,710 S * 3/2021 Choi D15/146
 D912,711 S * 3/2021 Choi D15/146
 2005/0158072 A1 * 7/2005 Kawai G03G 15/0875
 399/106
 2007/0159454 A1 * 7/2007 Rodriguez A47L 15/4293
 345/156
 2007/0217818 A1 * 9/2007 Shiraki G03G 21/1821
 399/111
 2011/0158685 A1 * 6/2011 Takagi G03G 21/1647
 399/119
 2011/0158704 A1 * 6/2011 Takagi G03G 15/0808
 399/279
 2011/0280610 A1 * 11/2011 Itabashi G03G 15/0875
 399/102
 2012/0121292 A1 * 5/2012 Okabe G03G 21/1821
 399/119
 2013/0163056 A1 * 6/2013 Hanayama H04N 1/0005
 358/474
 2013/0195530 A1 * 8/2013 Kim G03G 21/1892
 399/360

OTHER PUBLICATIONS

Tri-Pull, published Sep. 17, 2018 [online], [retrieved Jul. 14, 2021], Available from Internet, URL: https://web.archive.org/web/20180917000905/https://www.auburnwoodturning.com.au/door-cabinet-handles/tri-pull.*
 Kethy D653, published Mar. 14, 2018 [online], [retrieved Jul. 14, 2021], Available from Internet, URL: https://web.archive.org/web/20180314082845if_/https://www.kethy.com.au/product/d653.*
 Barrington Channing Center Cup Pull Finish, published Jan. 4, 2016 [online], [retrieved Jul. 14, 2021], Available from Internet, URL: https://www.amazon.com/Top-Knobs-Barrington-Channing-Cabinet/dp/B01A5VVBOW.*

* cited by examiner

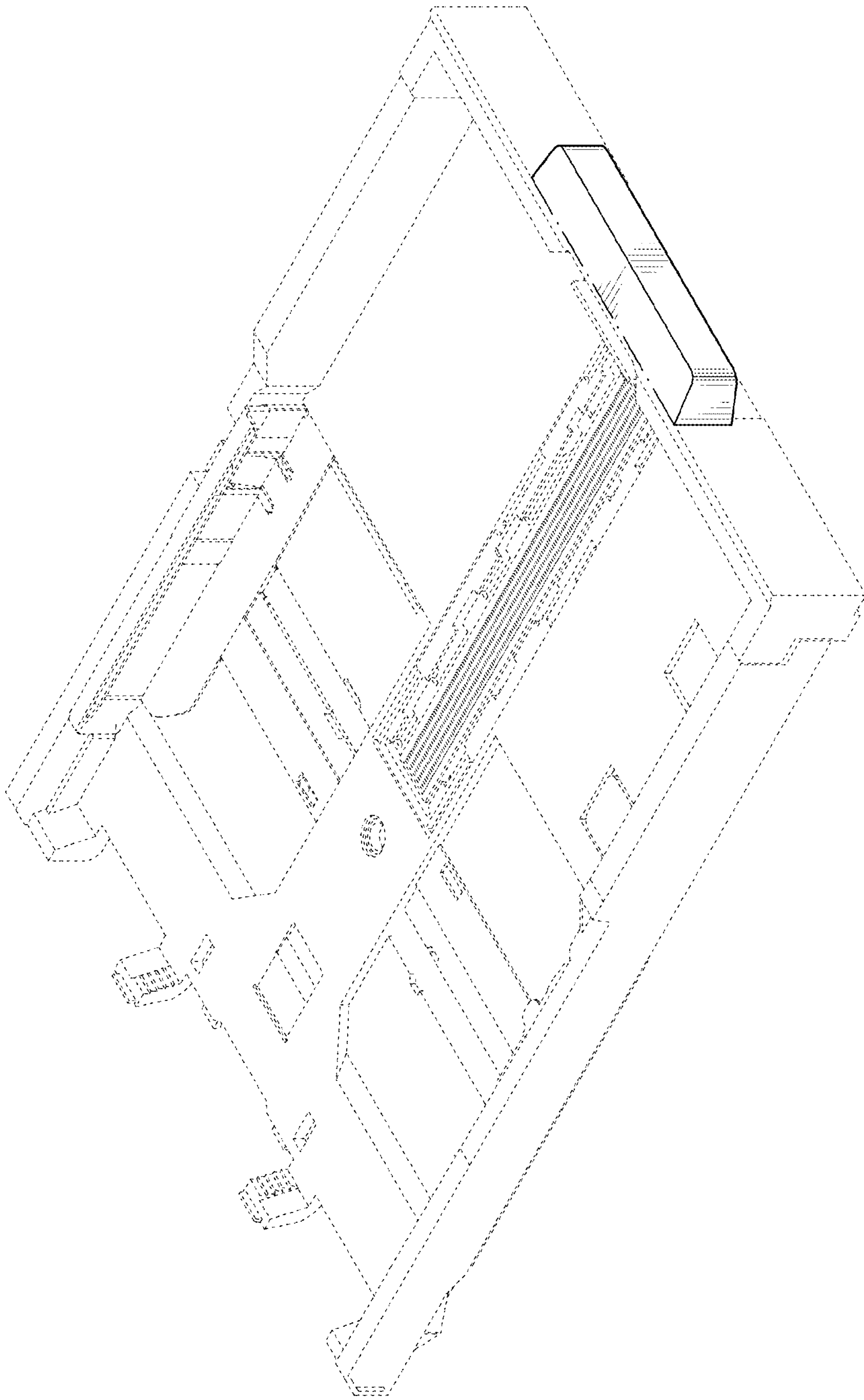


FIG. 1

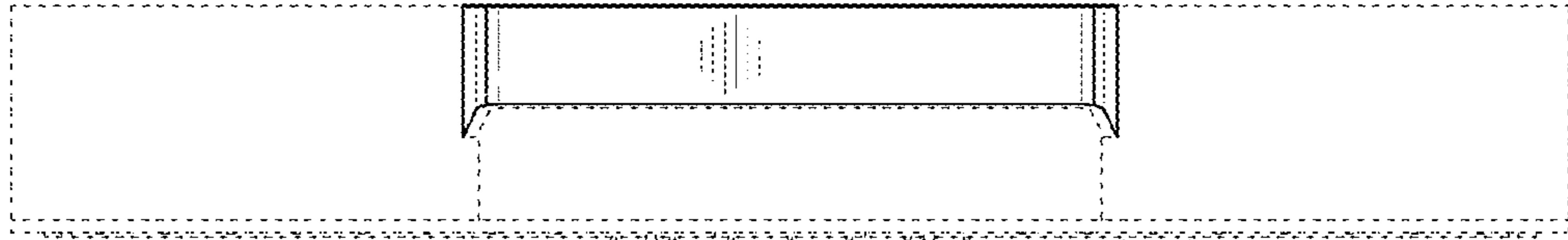


FIG. 2

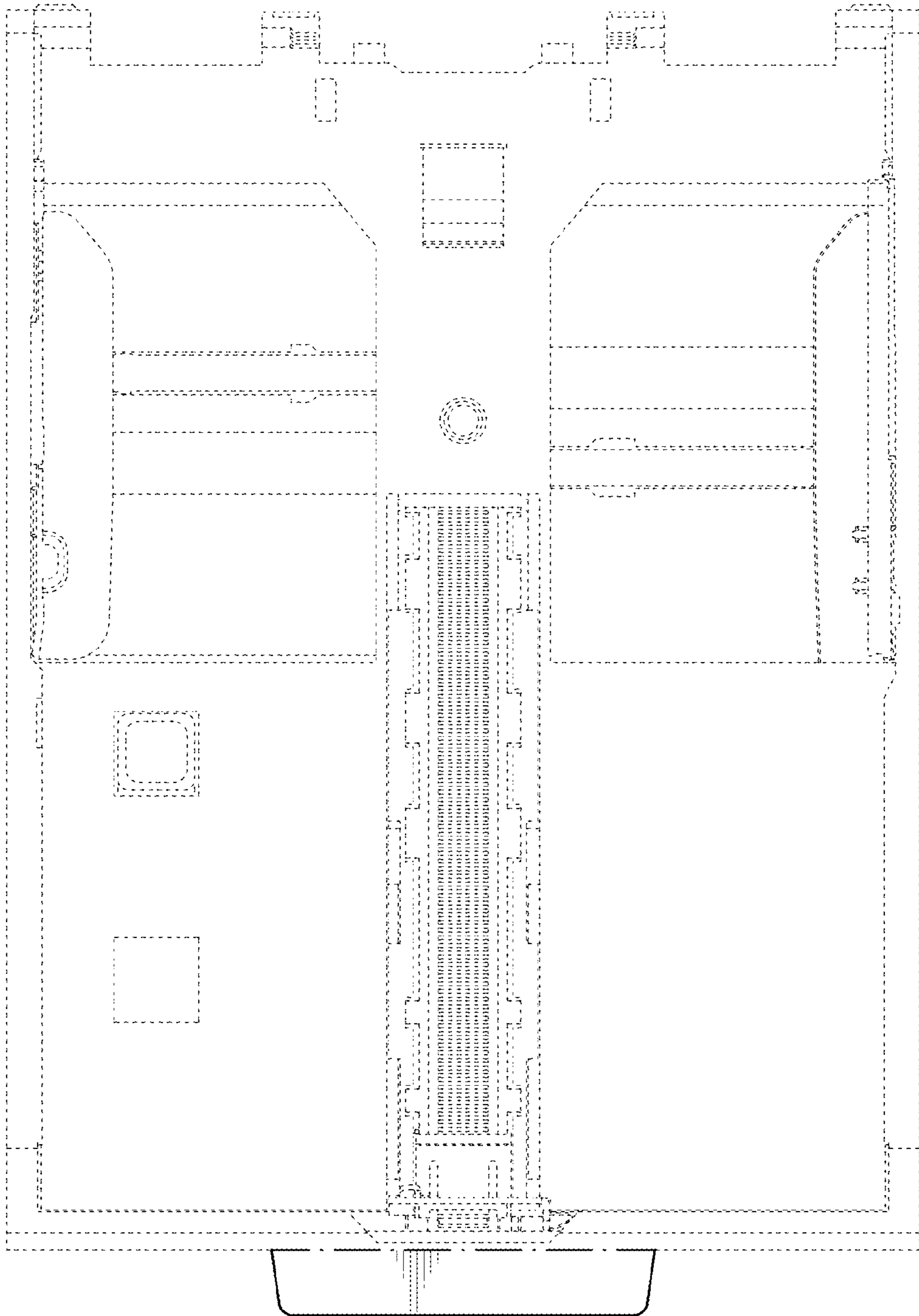


FIG. 3

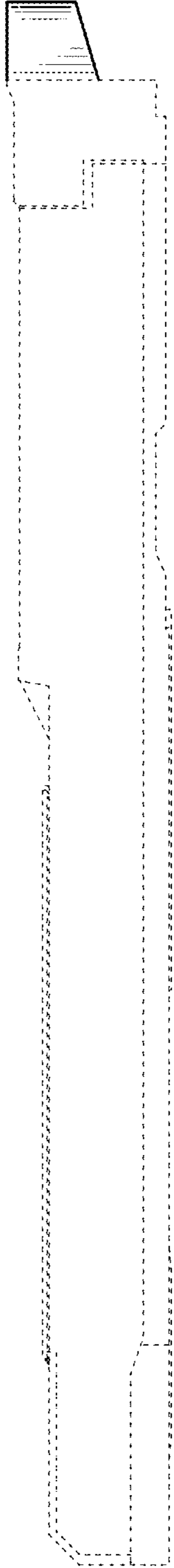


FIG. 4

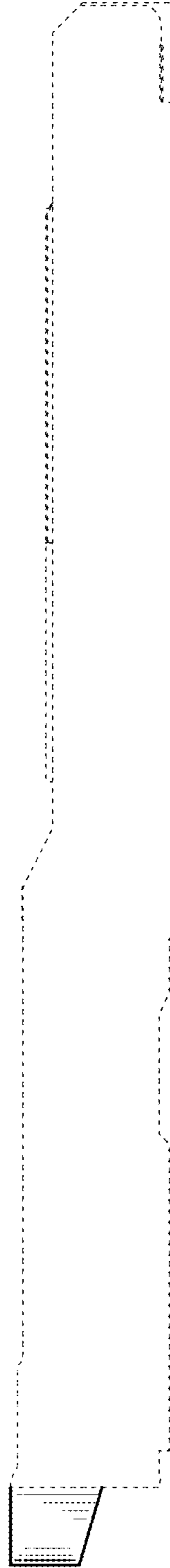


FIG. 5

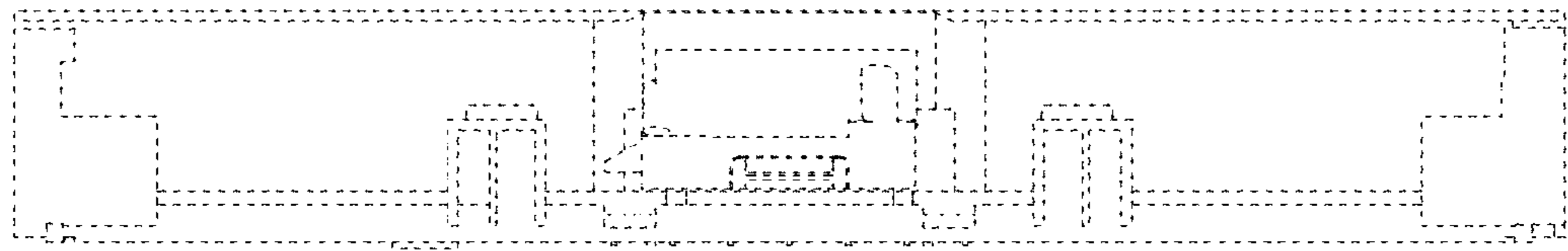


FIG. 6

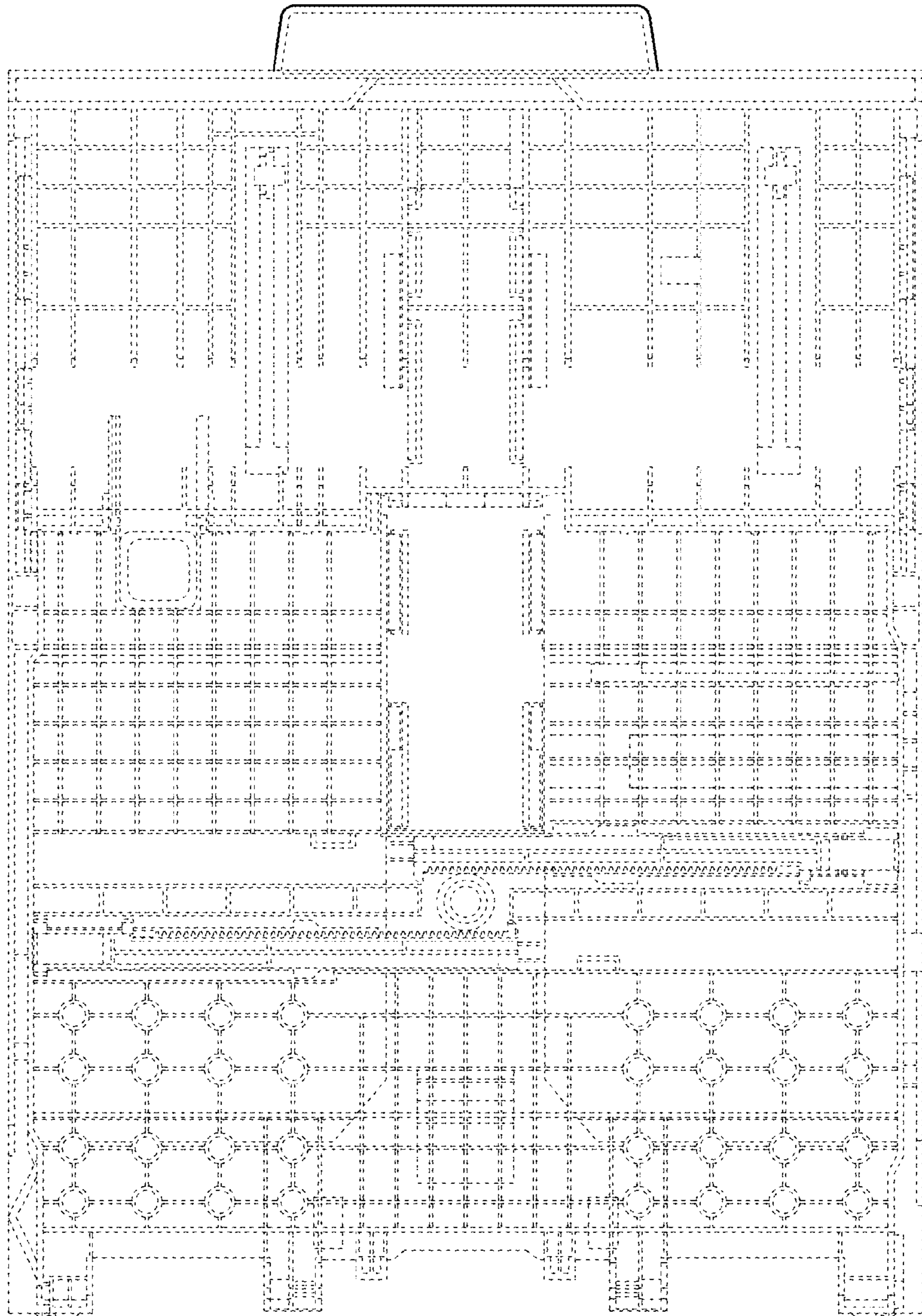


FIG. 7

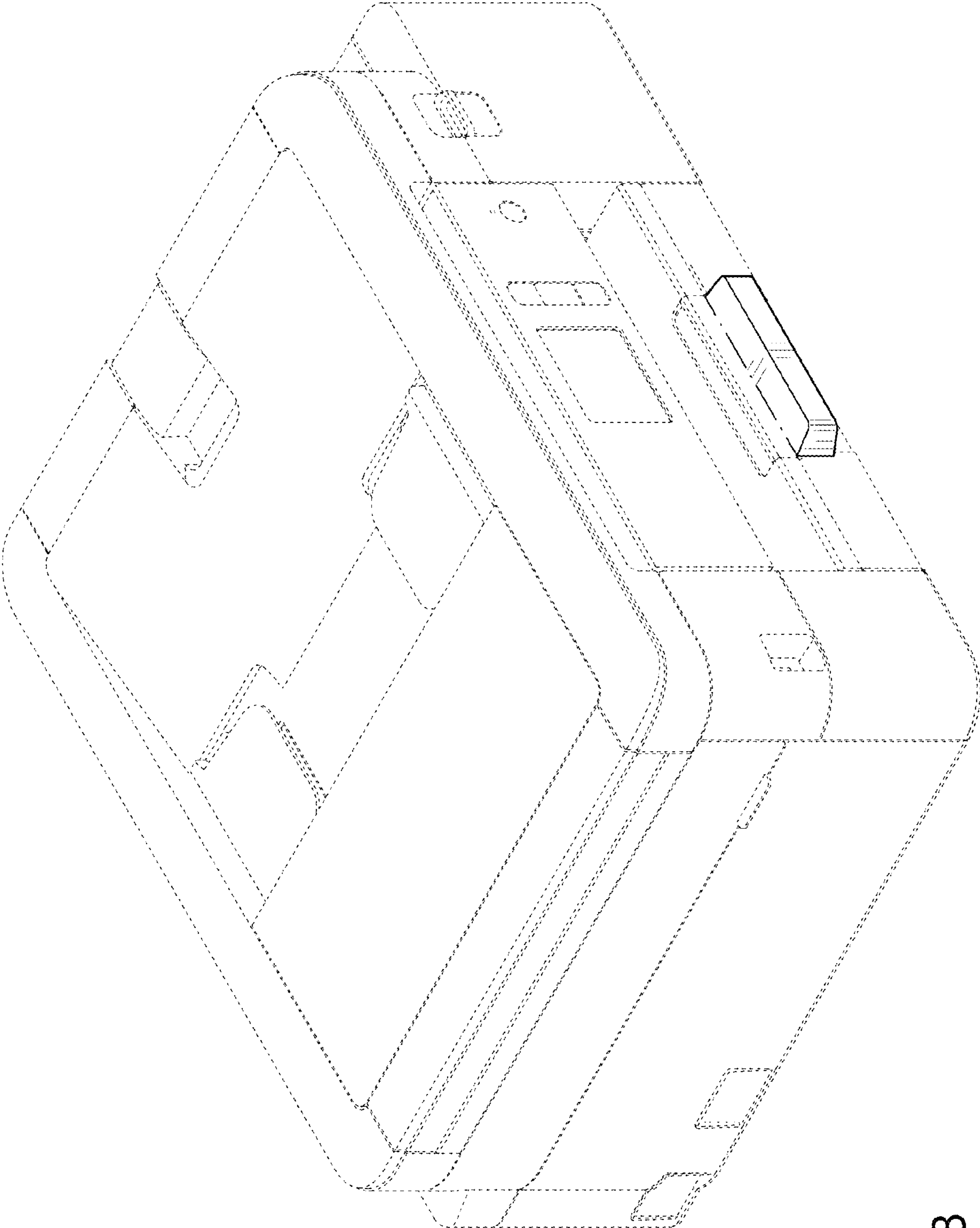


FIG. 8