



US00D948611S

(12) **United States Design Patent**
Nagumo

(10) **Patent No.:** **US D948,611 S**

(45) **Date of Patent:** **** Apr. 12, 2022**

(54) **PRINTER**

(71) Applicant: **SEIKO EPSON CORPORATION,**
Tokyo (JP)

(72) Inventor: **Takaho Nagumo,** Shiojiri (JP)

(73) Assignee: **SEIKO EPSON CORPORATION,**
Tokyo (JP)

(**) Term: **15 Years**

(21) Appl. No.: **29/715,162**

(22) Filed: **Nov. 27, 2019**

(30) **Foreign Application Priority Data**

May 31, 2019 (JP) 2019-011907

(51) **LOC (13) Cl.** **14-02**

(52) **U.S. Cl.**
USPC **D18/53**

(58) **Field of Classification Search**
USPC D18/4.1, 4.4, 4.6, 37, 38, 39, 50, 53, 54,
D18/55, 59; D14/300, 301, 302, 307,
D14/308, 314, 321, 365; D6/514, 672,
D6/681.2, 691.9

CPC ... H04H 2201/0094; H04H 2201/0081; H04N
1/00278

See application file for complete search history.

(56) **References Cited**

U.S. PATENT DOCUMENTS

D577,719 S *	9/2008	Kobeli	D14/300
D675,673 S *	2/2013	Sato	D18/50
D678,402 S *	3/2013	Sato	D18/50
D685,416 S *	7/2013	Hutchison	D18/56
D698,384 S *	1/2014	Cruz	D18/4.4
D730,437 S *	5/2015	Seki	D18/50
D744,031 S *	11/2015	Tanaka	D18/50
D752,139 S *	3/2016	Seki	D18/50

D770,565 S *	11/2016	Tanaka	D18/50
D778,905 S *	2/2017	Akana	D14/341
D783,016 S *	4/2017	Matloff	D14/307
9,704,669 B2 *	7/2017	Namba	H01H 13/88
D806,790 S *	1/2018	Sato	D18/50
D815,683 S *	4/2018	Tanaka	D18/50

(Continued)

FOREIGN PATENT DOCUMENTS

JP	D1519698	*	2/2015
JP	D1520586	*	2/2015
JP	D1532666	*	8/2015

OTHER PUBLICATIONS

Expression Photo XP-8500-pg.30-2017 _ Epson US-<https://epson.com/For-Home/Printers/Photo/Expression-Photo-XP-8500-Small-in-One-All-in-One-Printer/p/C11CG17201> (Year: 2017).*

(Continued)

Primary Examiner — Jennifer L Rempfer
Assistant Examiner — Danielle Nichole Bowly

(57) **CLAIM**

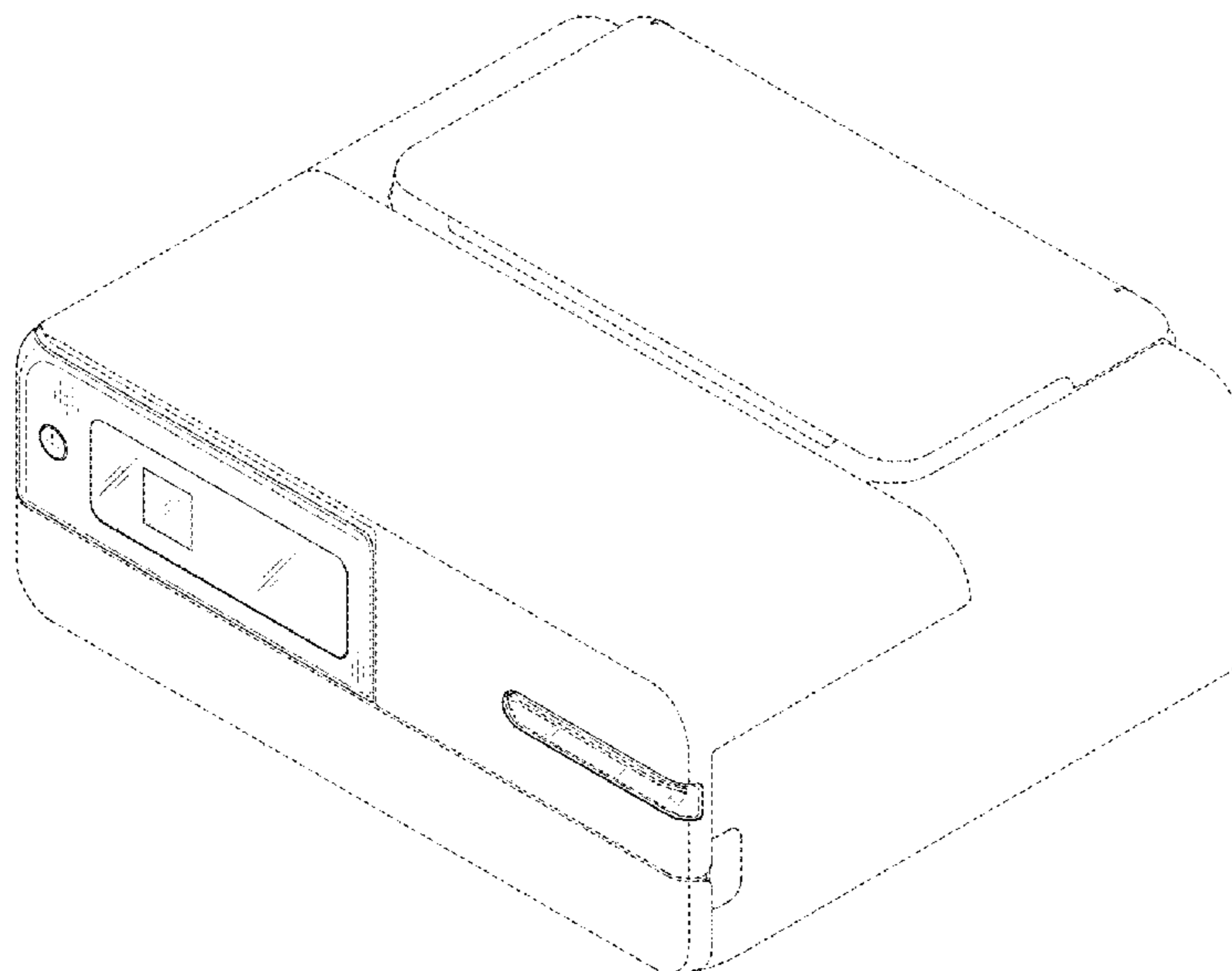
The ornamental design for a printer, as shown and described.

DESCRIPTION

FIG. 1 is a front, top and right side perspective view of a printer showing my new design;
FIG. 2 is a rear, top and left side perspective view thereof;
FIG. 3 is a front view thereof;
FIG. 4 is a rear view thereof;
FIG. 5 is a top plan view thereof;
FIG. 6 is a bottom plan view thereof;
FIG. 7 is a right side view thereof; and,
FIG. 8 is a left side view thereof.

The broken lines illustrate portions of the printer that form no part of the claimed design. The viewing window shown in FIGS. 1, 3, and 7 is translucent.

1 Claim, 8 Drawing Sheets



(56)

References Cited

U.S. PATENT DOCUMENTS

D851,698 S * 6/2019 Oishi D18/50
D912,133 S * 3/2021 Yamamoto D18/54
2014/0139986 A1* 5/2014 Osakabe H04N 1/00554
361/679.01
2015/0092229 A1* 4/2015 Miyazaki G06F 3/0416
358/1.15

OTHER PUBLICATIONS

Epson Expression Photo C11CH45201-pg.41, 2019_ Staples—
https://www.staples.com/epson-expression-photo-xp-970-small-in-one-c11ch45201-usb-wireless-network-ready-color-borderless-all-in-one-printer/product_24419860?ci_sku=24419860&KPID=24419860 (Year: 2019).*

* cited by examiner

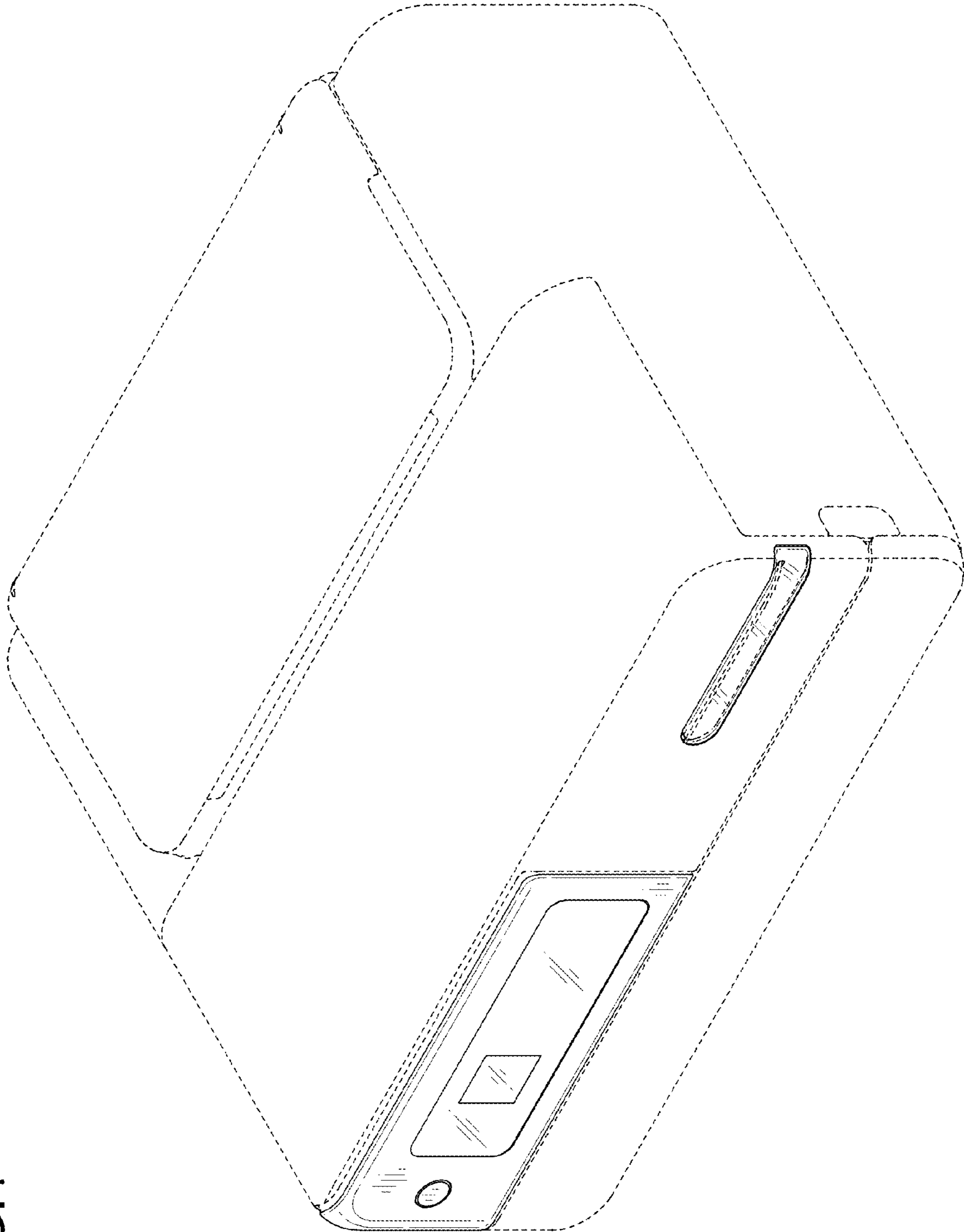
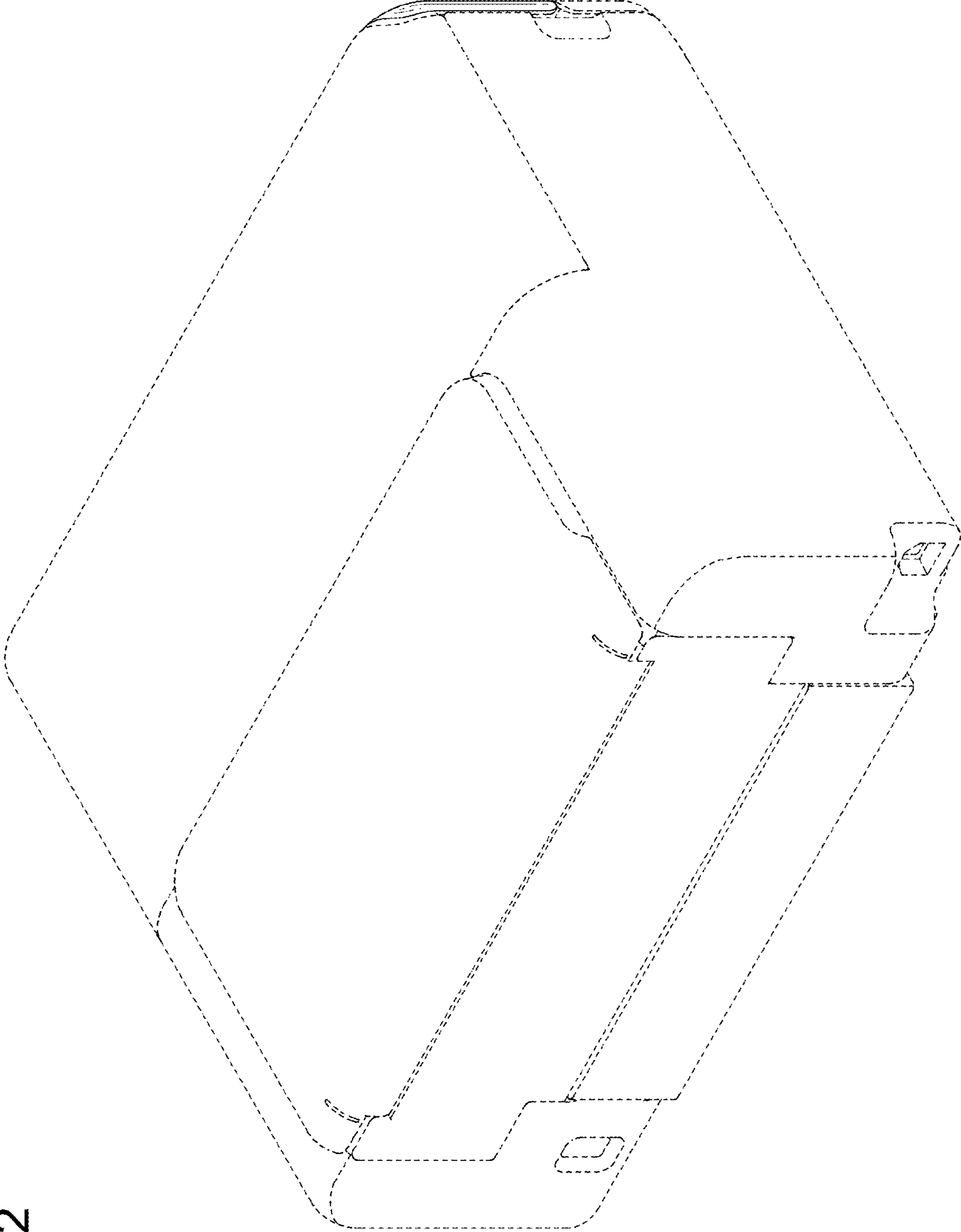


FIG.1

FIG.2



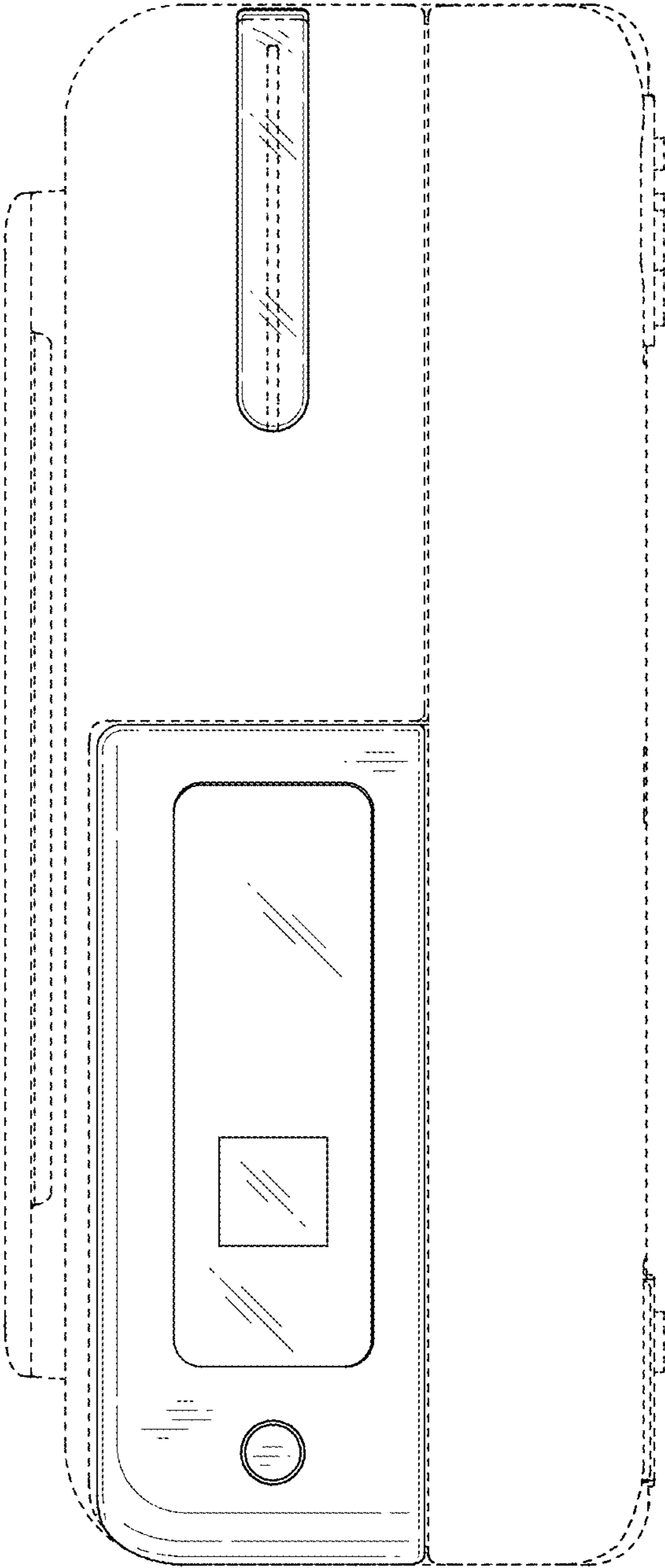


FIG.3

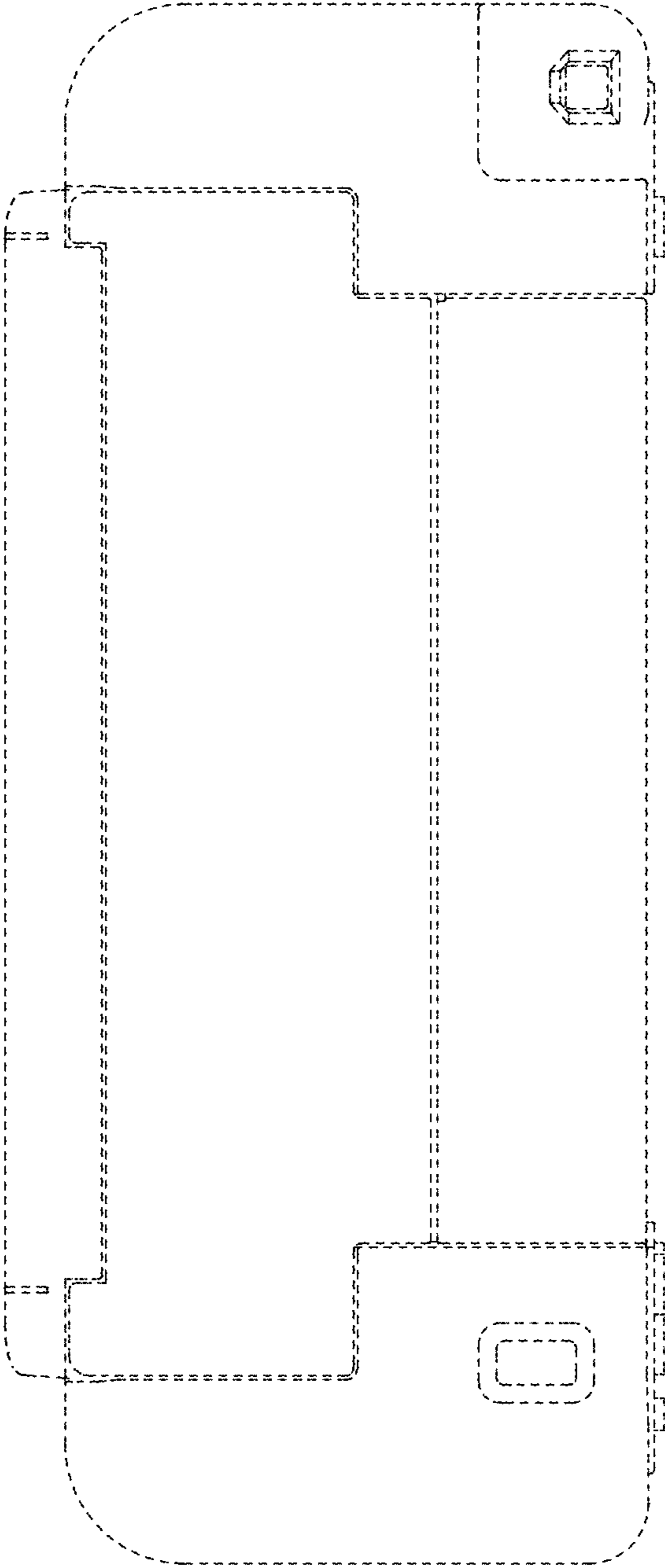


FIG.4

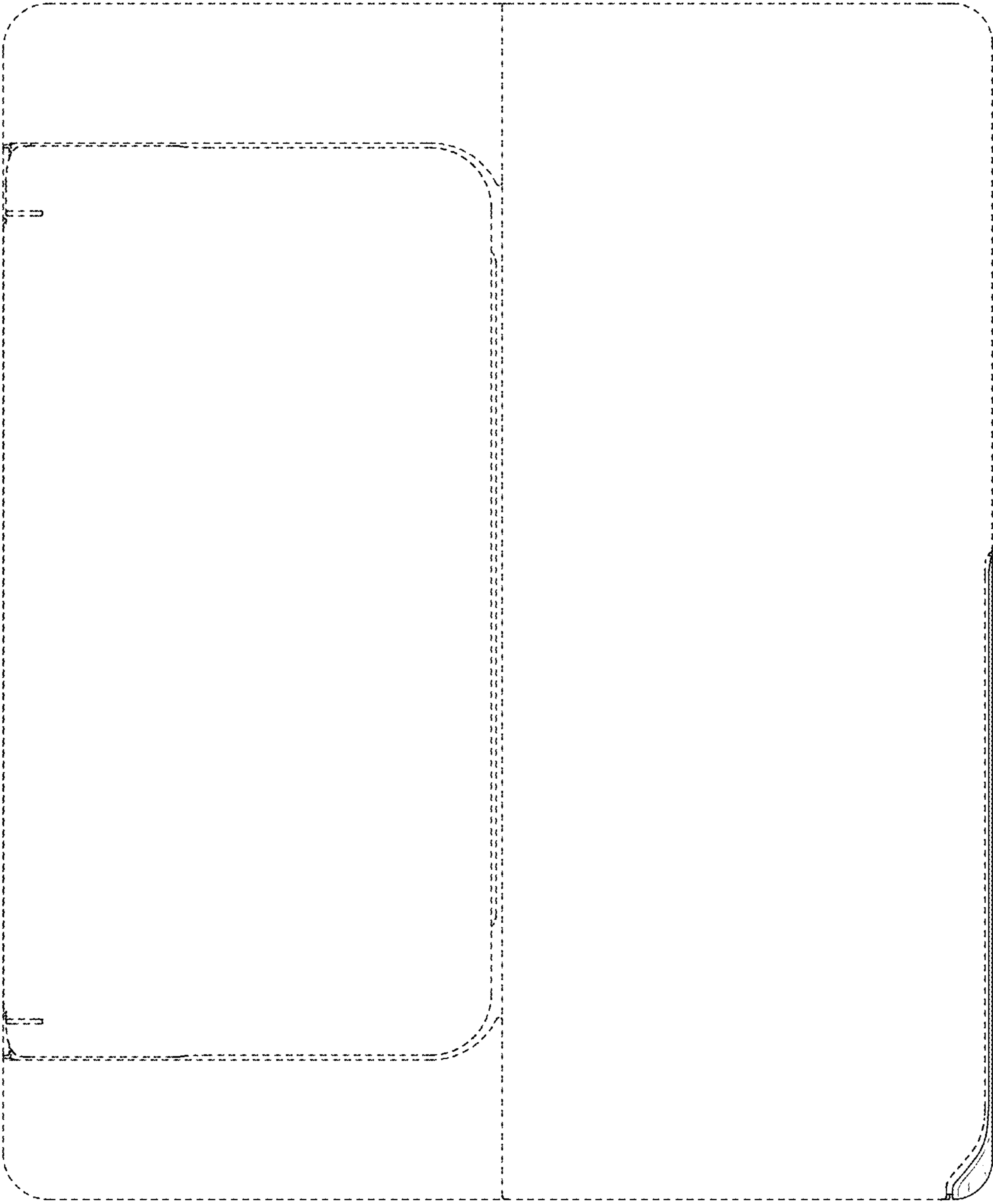


FIG. 5

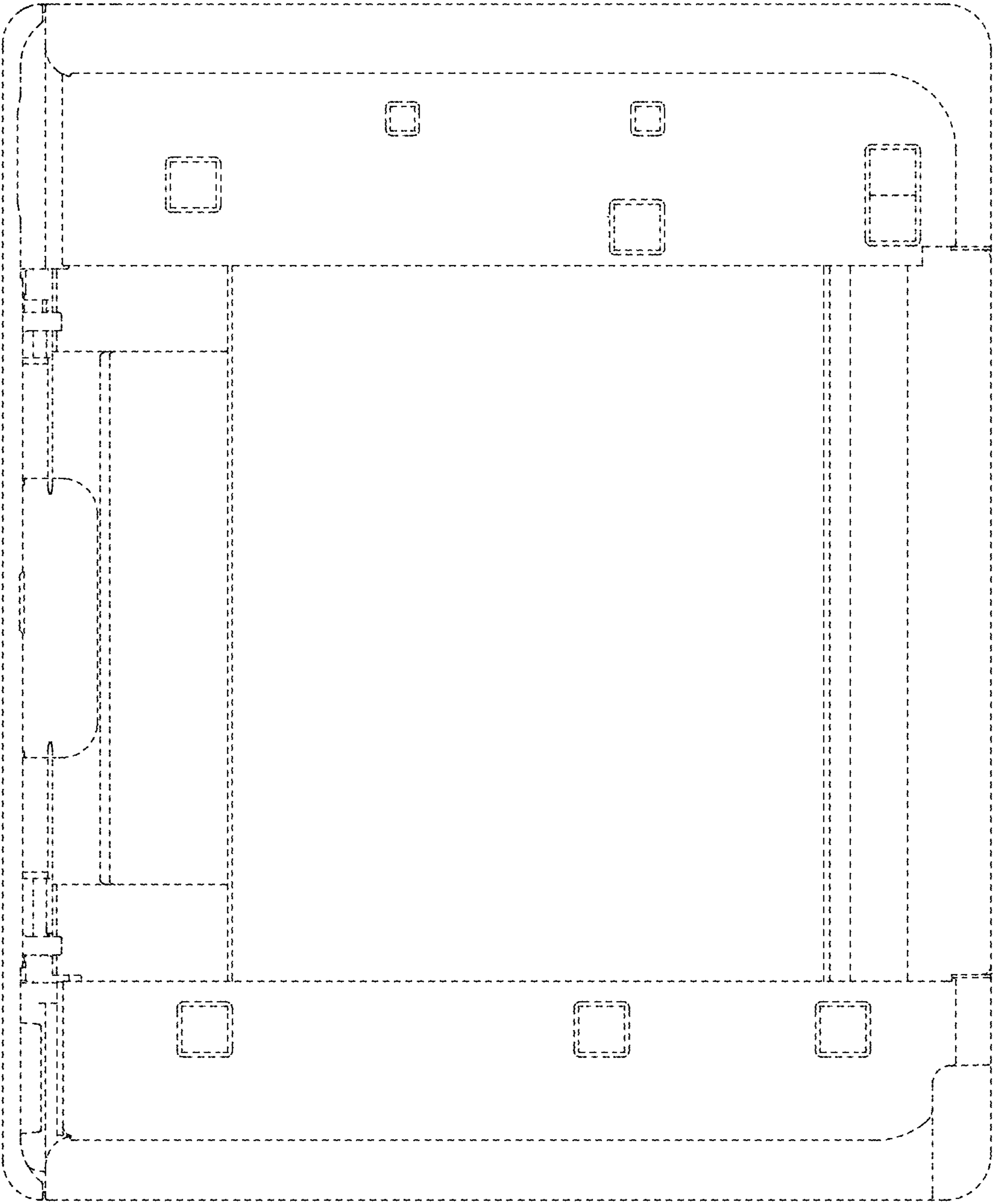


FIG.6

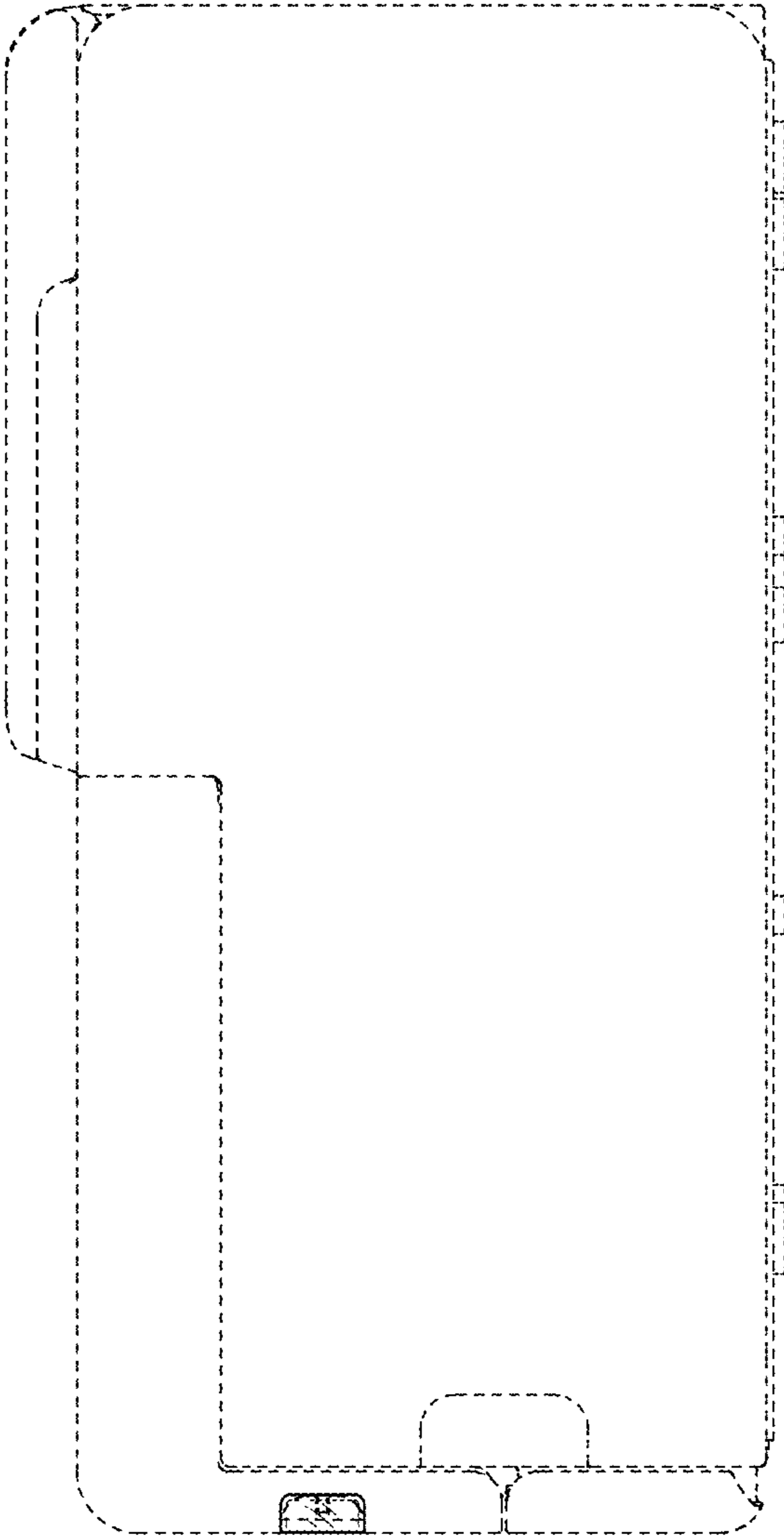


FIG. 7

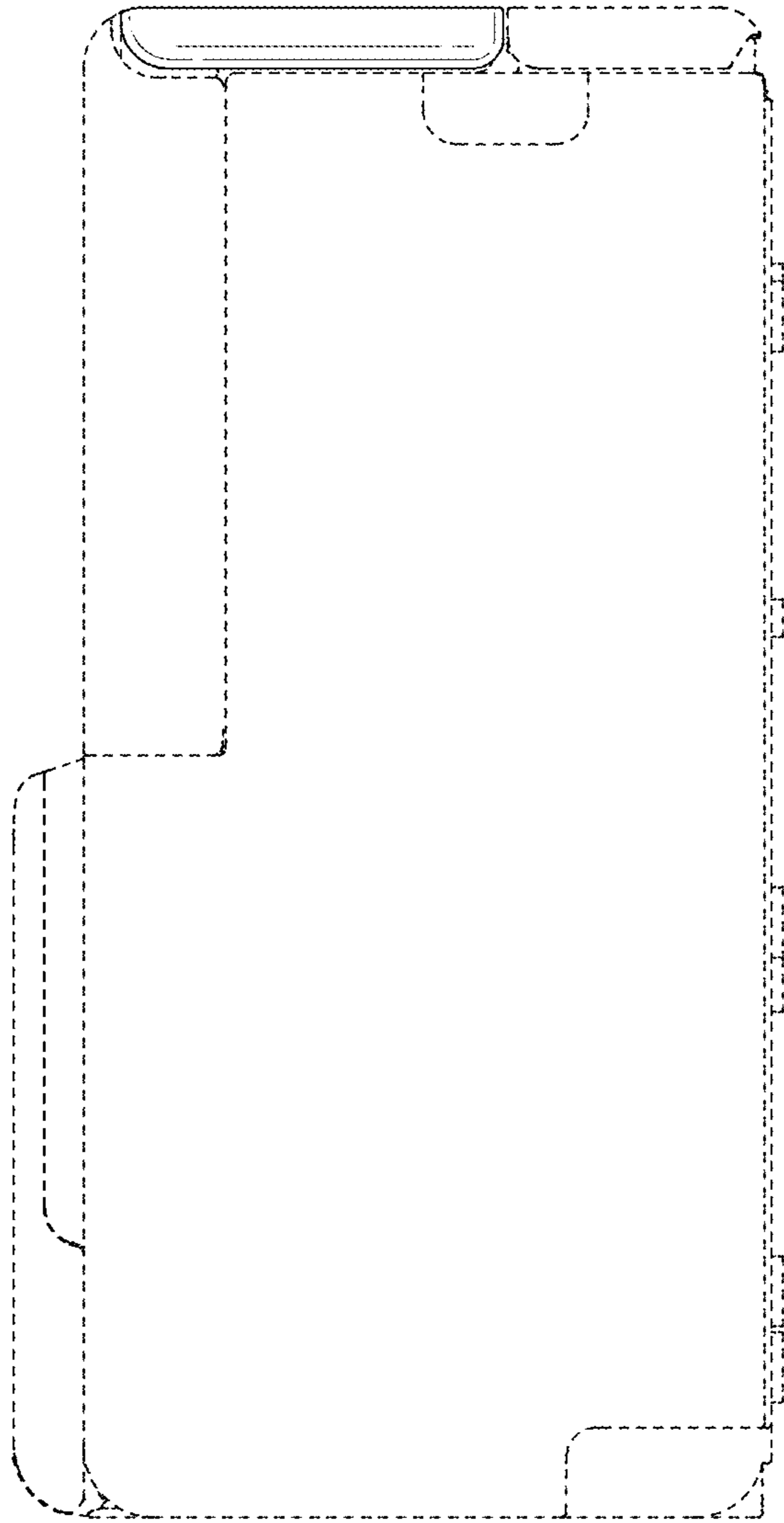


FIG. 8