



US00D948610S

(12) **United States Design Patent**  
**Sakai et al.**

(10) **Patent No.:** **US D948,610 S**  
(45) **Date of Patent:** **\*\* Apr. 12, 2022**

- (54) **FOIL TRANSFER DEVICE**
- (71) Applicant: **BROTHER INDUSTRIES, LTD.**,  
Nagoya (JP)
- (72) Inventors: **Ryosuke Sakai**, Nagoya (JP); **Keiichiro Egami**, Kuwana (JP)
- (73) Assignee: **BROTHER INDUSTRIES, LTD.**,  
Nagoya (JP)
- (\*\*) Term: **15 Years**
- (21) Appl. No.: **29/687,968**
- (22) Filed: **Apr. 17, 2019**
- (30) **Foreign Application Priority Data**

Oct. 18, 2018 (JP) ..... 2018-022872

- (51) **LOC (13) Cl.** ..... **18-02**
- (52) **U.S. Cl.**  
USPC ..... **D18/50**

- (58) **Field of Classification Search**  
USPC ..... D15/122, 135-138, 141, 66, 73, 76-78,  
D15/146, 150, 143; D18/53, 59, 50, 14,  
D18/19, 54-57, 36-45, 34.4, 34.5, 34.6,  
D18/18, 51, 34.1; D14/301-303, 307,  
D14/345, 420-425, 46  
CPC ..... B41J 2/14; B41J 2/01; B41J 2/22; B41J  
1/54; B41J 3/4073; B41J 3/4078; B41F  
17/22; B41F 17/003; B41F 17/38; B28B  
1/001; B65H 5/02; G03G 15/08; G03G  
15/0891; G03G 15/0875; G03G  
2215/0827; G03G 2215/0855; G03G  
21/1842

See application file for complete search history.

(56) **References Cited**

**U.S. PATENT DOCUMENTS**

- D163,409 S \* 5/1951 Palma, Jr. .... D18/50
- 4,886,384 A \* 12/1989 Harry ..... B41J 35/28  
400/223

- D323,846 S \* 2/1992 Yamamoto ..... D18/50
- 5,209,583 A \* 5/1993 Lewis ..... B41J 3/36  
312/223.2
- D349,922 S \* 8/1994 Tashiro ..... D18/50
- D355,179 S \* 2/1995 Sawada ..... D14/468
- D370,471 S \* 6/1996 Au ..... D14/422
- D438,869 S \* 3/2001 Nakamura ..... D14/468
- D493,469 S \* 7/2004 Hattori ..... D14/468
- D631,050 S \* 1/2011 Iliffe-Moon ..... D14/422
- D632,295 S \* 2/2011 Kuroda ..... D14/422
- D642,179 S \* 7/2011 Kuroda ..... D14/422
- D689,866 S \* 9/2013 Anzai ..... D14/422
- D713,845 S \* 9/2014 Taniho ..... D14/422
- D766,246 S \* 9/2016 Inada ..... D14/422
- D794,640 S \* 8/2017 Shigeno ..... D14/422
- D839,955 S \* 2/2019 Shibuya ..... D18/50
- D844,004 S \* 3/2019 Ishida ..... D14/422
- D845,951 S \* 4/2019 Shigeno ..... D14/422
- D848,427 S \* 5/2019 Hama ..... D14/422
- D861,691 S \* 10/2019 Shibuya ..... D14/422
- D888,822 S \* 6/2020 Yopez ..... D18/50

(Continued)

*Primary Examiner* — Kevin K Rudzinski  
(74) *Attorney, Agent, or Firm* — Oliff PLC

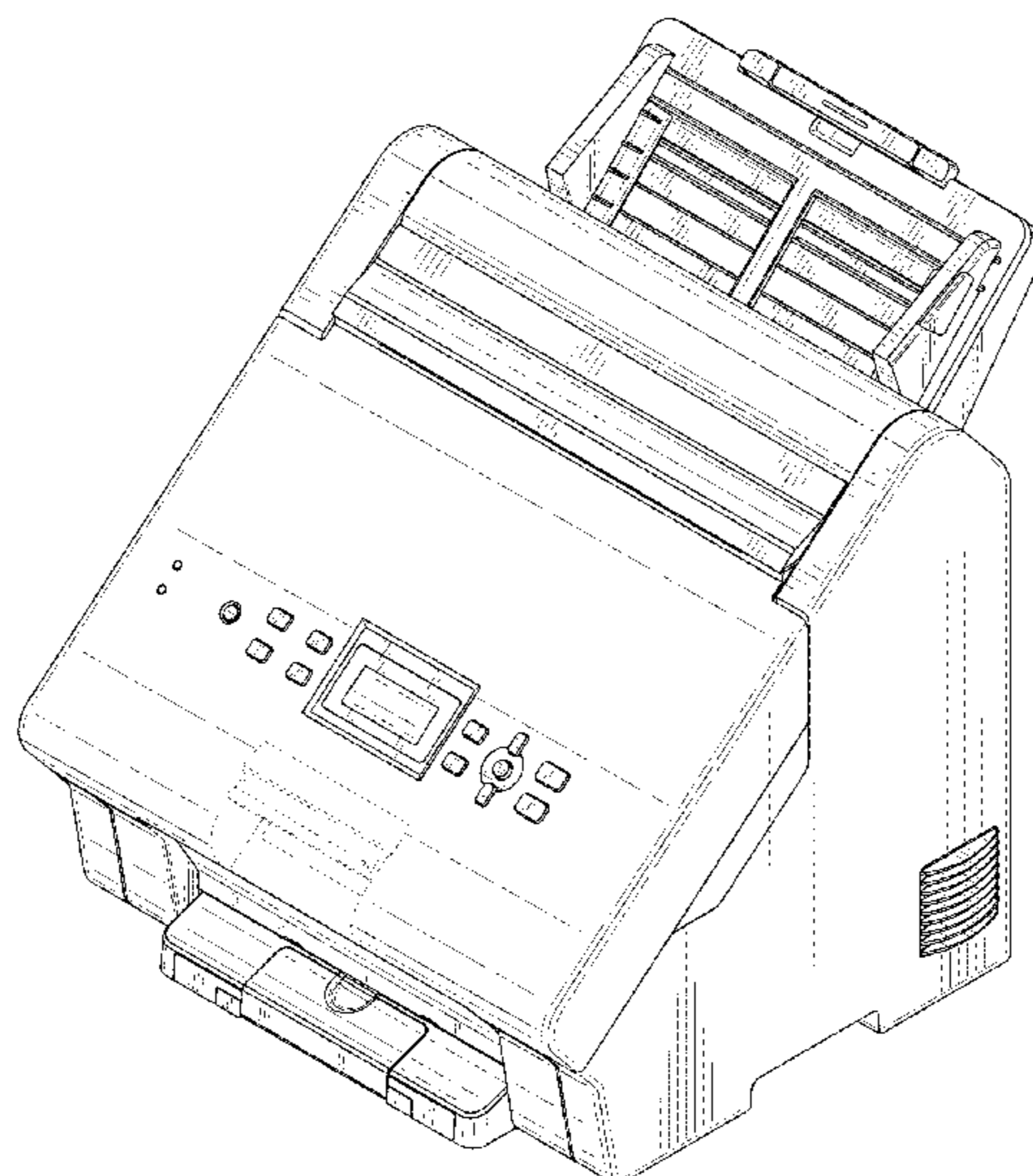
(57) **CLAIM**

The ornamental design for a foil transfer device, as shown and described.

**DESCRIPTION**

FIG. 1 is a perspective view of a foil transfer device; FIG. 2 is a front elevational view thereof; FIG. 3 is a rear elevational view thereof; FIG. 4 is a left-side elevational view thereof; FIG. 5 is a right-side elevational view thereof; FIG. 6 is a top plan view thereof; and, FIG. 7 is a bottom plan view thereof. The evenly spaced broken lines depict portions of the foil transfer device that form no part of the claimed design.

**1 Claim, 7 Drawing Sheets**



(56)

**References Cited**

U.S. PATENT DOCUMENTS

D892,923 S \* 8/2020 Urabe ..... D18/50  
D909,470 S \* 2/2021 Ichikawa ..... D18/43  
2021/0078339 A1\* 3/2021 Sakurai ..... B41M 5/38242

\* cited by examiner

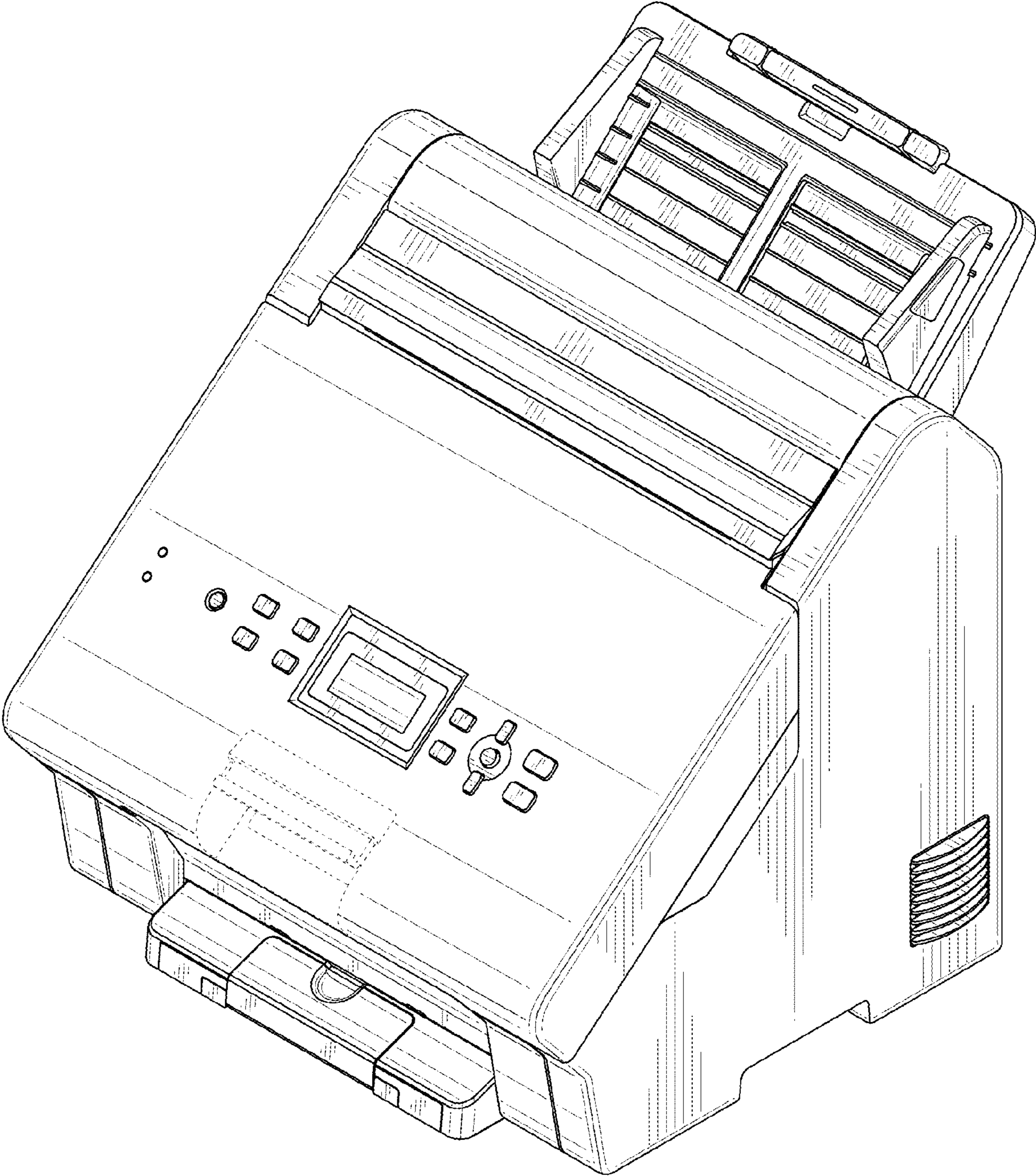


FIG. 1



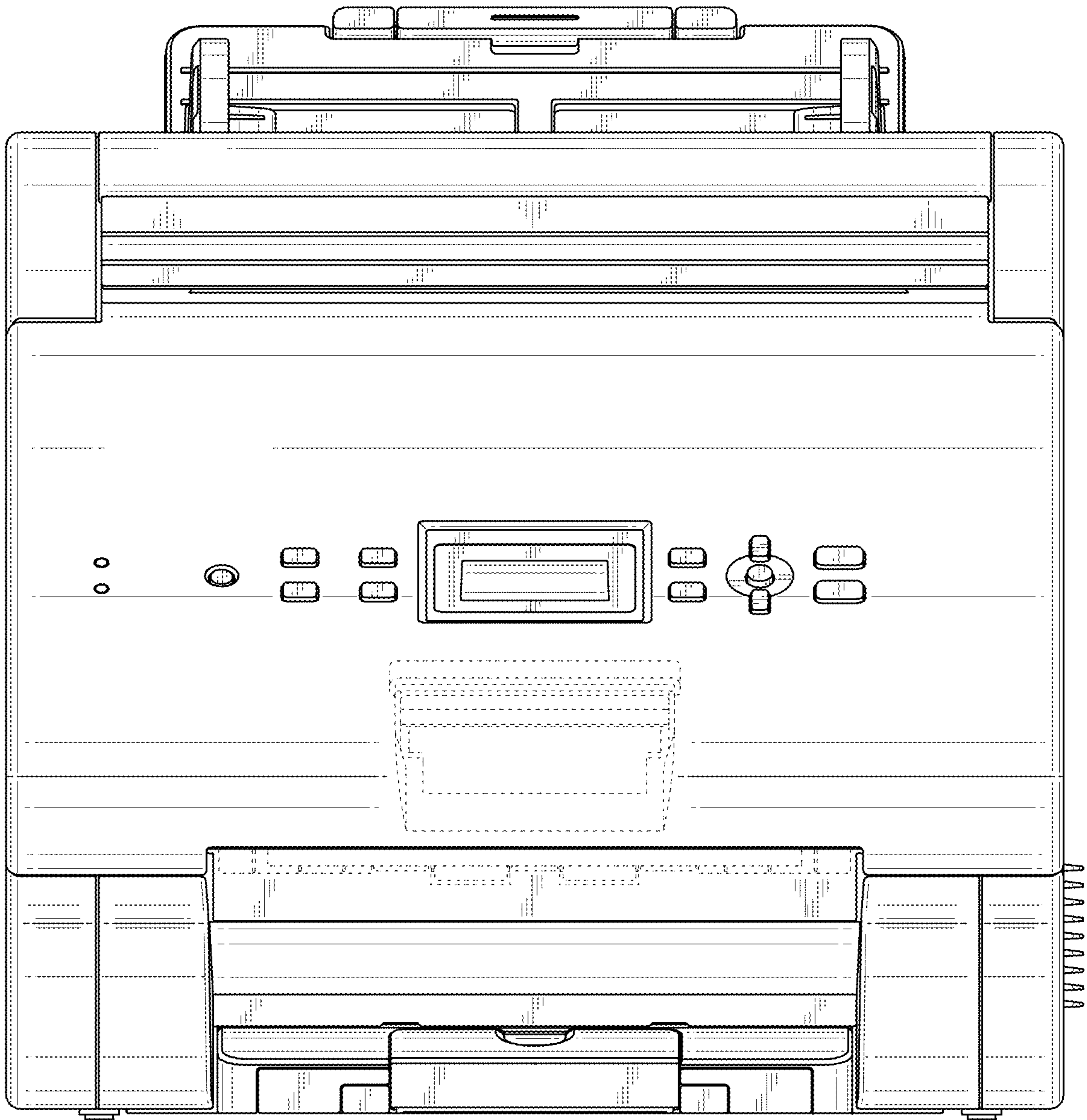


FIG. 2

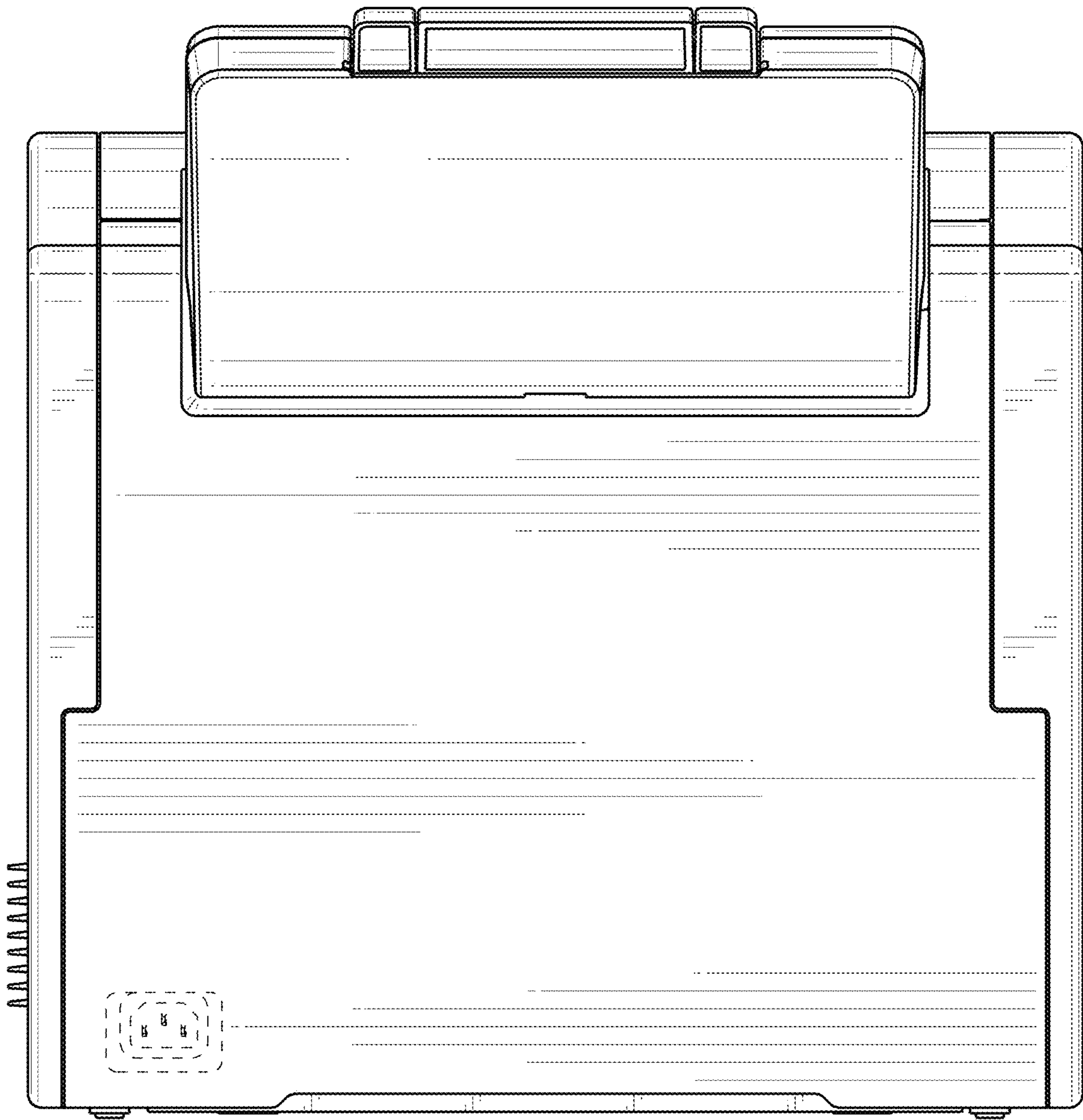


FIG. 3

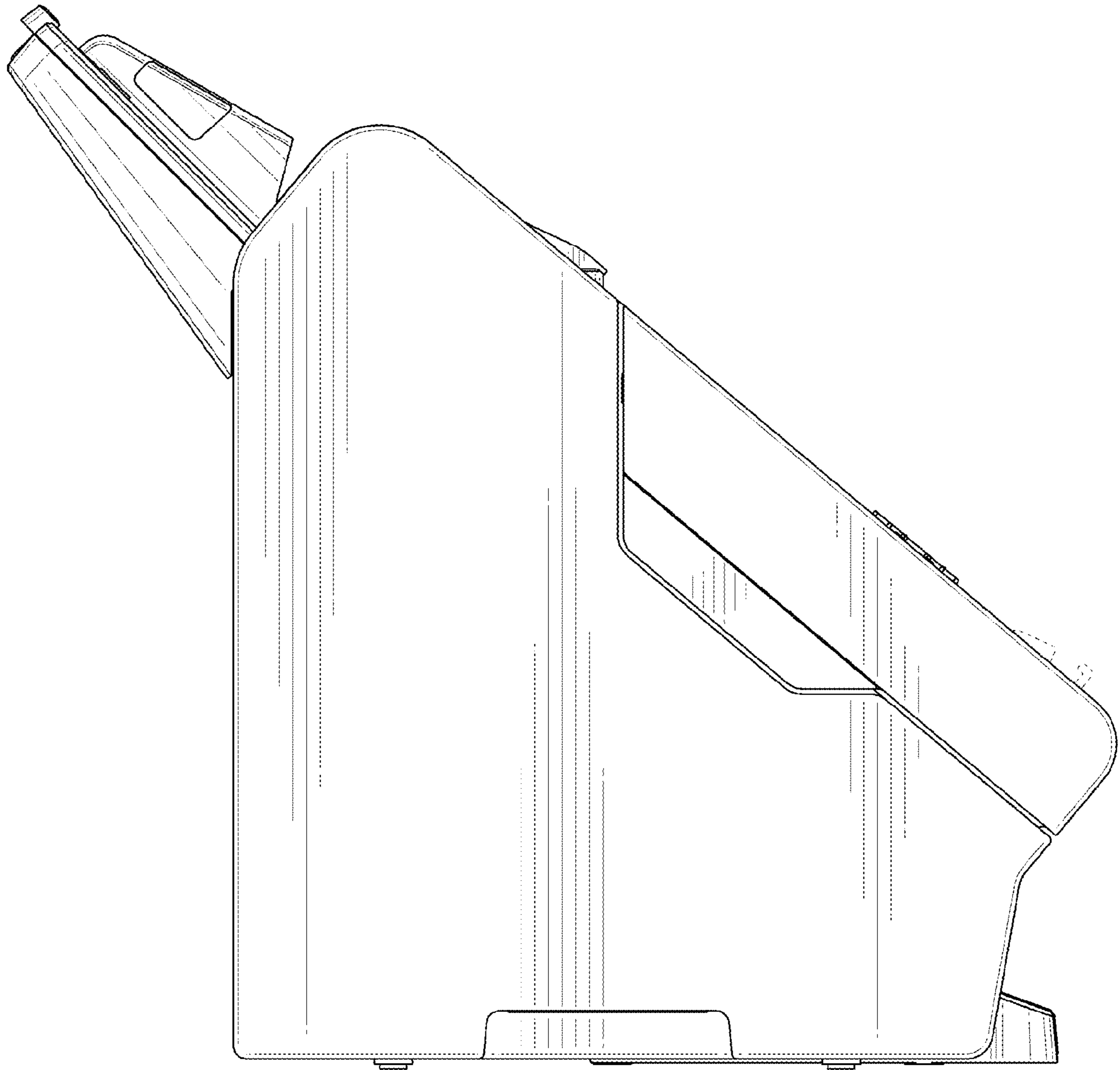


FIG. 4

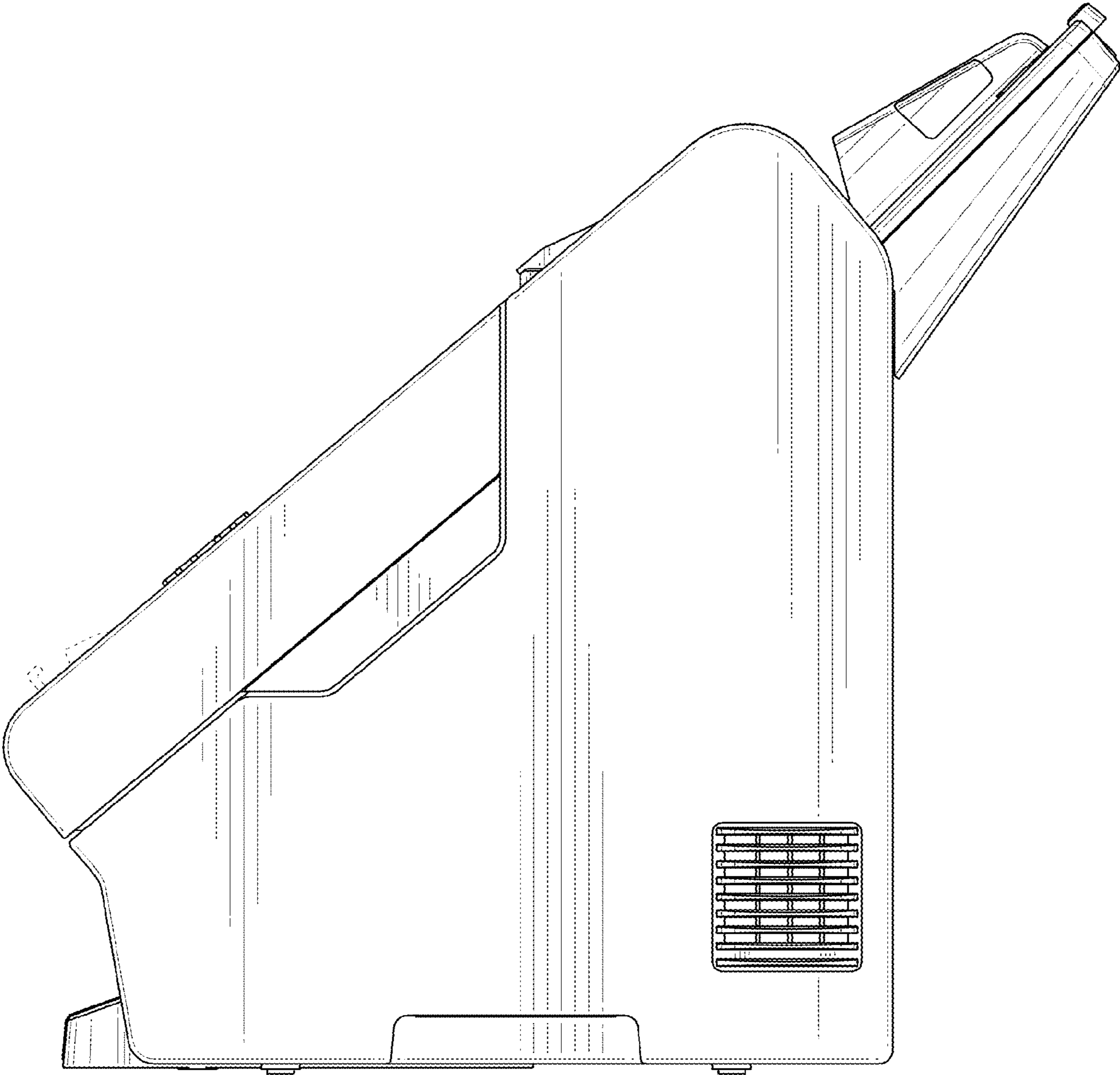


FIG. 5

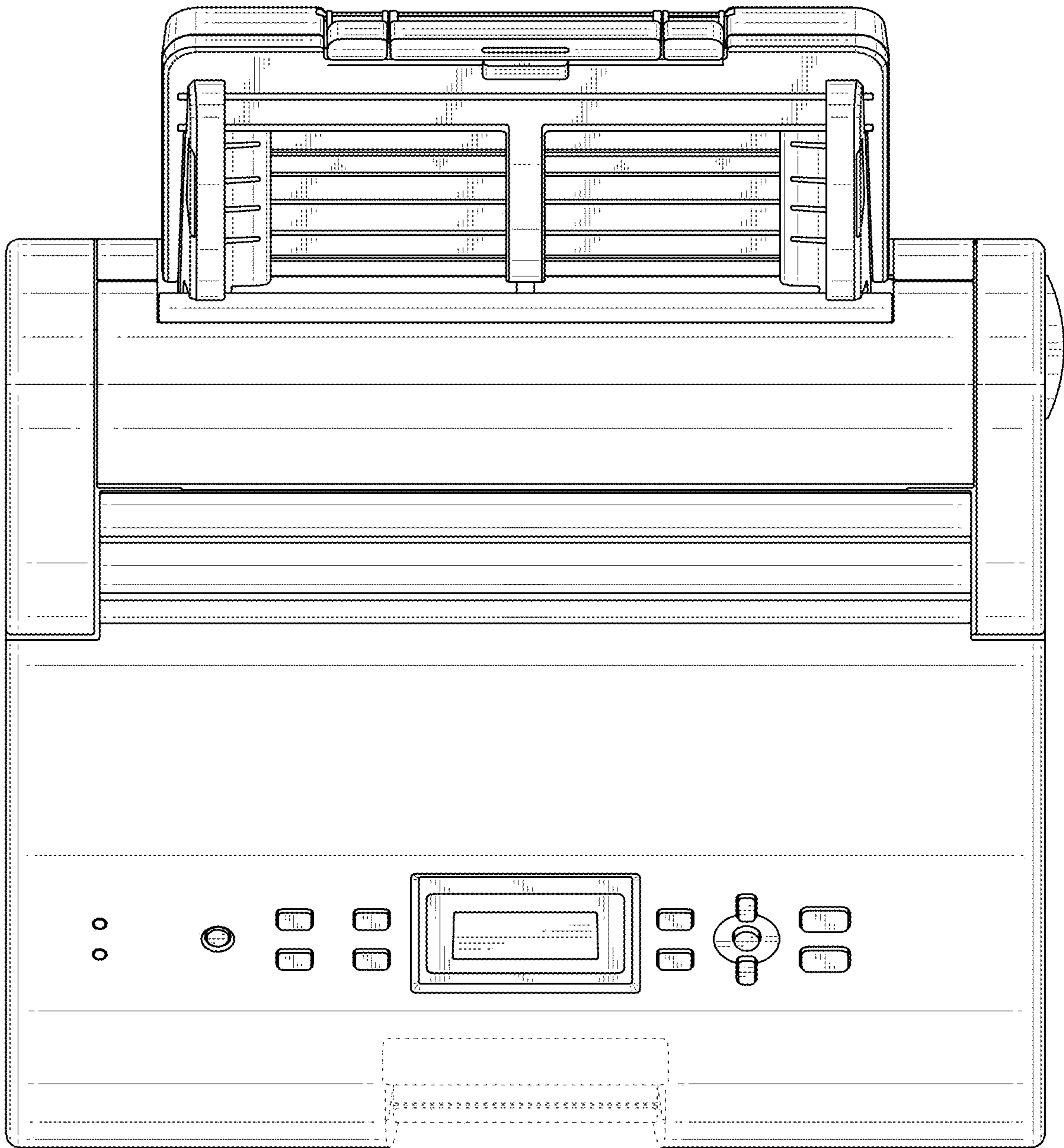


FIG. 6



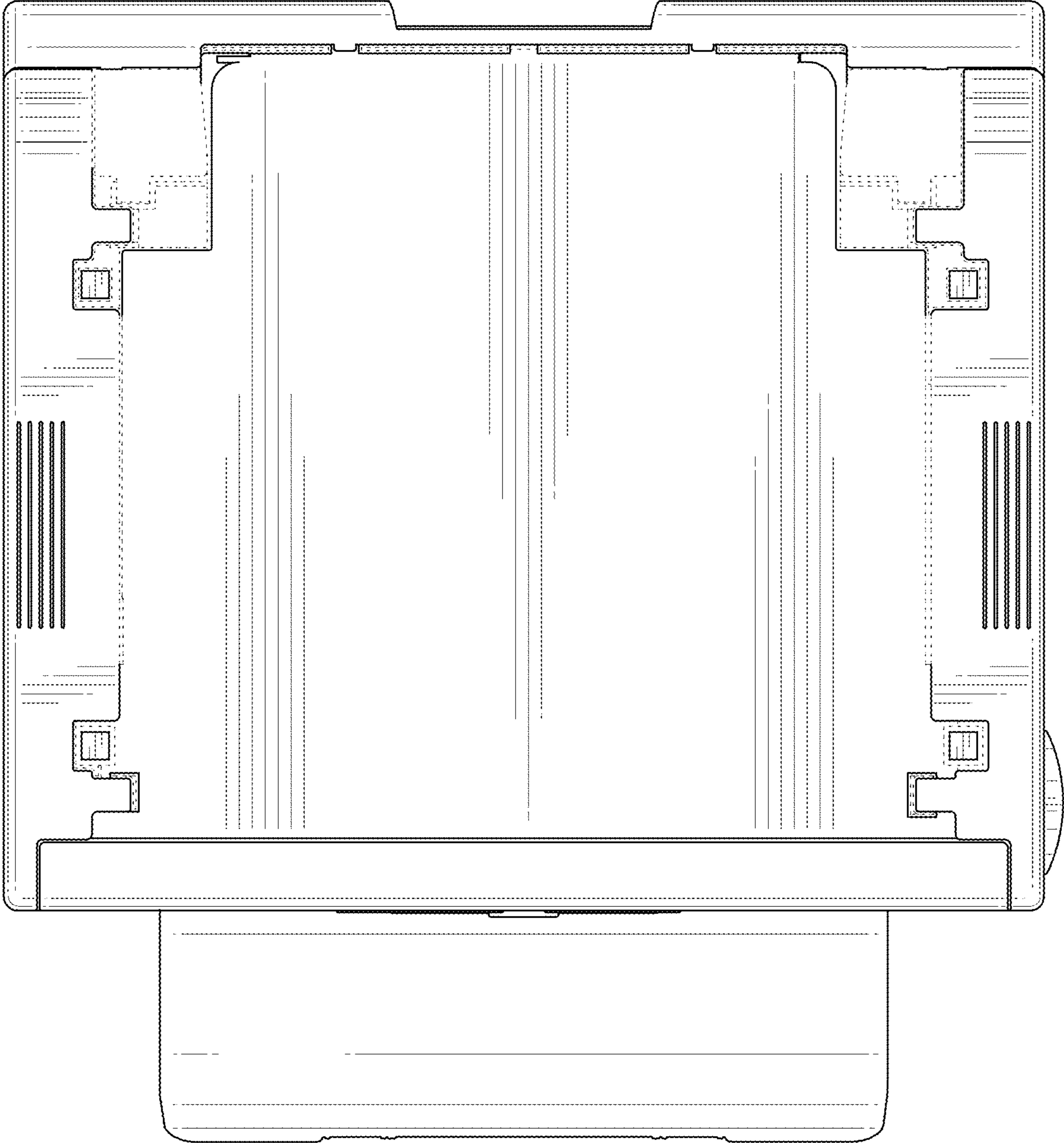


FIG. 7