



US00D948609S

(12) **United States Design Patent**
Ichikawa

(10) **Patent No.:** **US D948,609 S**
(45) **Date of Patent:** **** Apr. 12, 2022**

(54) **FOIL ROLL UNIT FOR FOIL TRANSFER UNIT**

(71) Applicant: **BROTHER INDUSTRIES, LTD.**,
Nagoya (JP)

(72) Inventor: **Tomoya Ichikawa**, Nagoya (JP)

(73) Assignee: **BROTHER INDUSTRIES, LTD.**,
Nagoya (JP)

(**) Term: **15 Years**

(21) Appl. No.: **29/693,471**

(22) Filed: **Jun. 3, 2019**

(30) **Foreign Application Priority Data**

Dec. 3, 2018 (JP) 2018-026303

(51) **LOC (13) Cl.** **16-03**

(52) **U.S. Cl.**
USPC **D18/43**

(58) **Field of Classification Search**
USPC D15/122, 135-138, 141, 66, 73, 76-78;
D18/53, 59, 50, 14, 19, 54-57, 36-45,
D18/34.4, 34.5, 34.6, 18, 51, 12, 46-49;
D14/301-303, 307, 345, 420-425, 462;
D6/691.4, 675, 708; D13/107, 108
CPC B41J 2/14; B41J 1/54; B41J 3/4073; B41J
3/4078; B41F 17/22; B41F 17/003; B41F
17/38; B28B 1/001; G03G 15/08; G03G
15/0891; G03G 15/0875; G03G
2215/0827; G03G 2215/0855; G03G
21/1842

See application file for complete search history.

(56) **References Cited**

U.S. PATENT DOCUMENTS

5,709,485 A * 1/1998 Kohno B41J 17/32
347/214
5,758,233 A * 5/1998 Coffey G03G 21/1821
399/111

D418,860 S * 1/2000 Shimoyama D18/12
D420,696 S * 2/2000 Yung D18/12
D442,211 S * 5/2001 Hayashi D18/12
D453,179 S * 1/2002 Neri D18/12
D453,180 S * 1/2002 Matsumoto D18/12
D454,151 S * 3/2002 Neri D18/12
D458,956 S * 6/2002 Neri D18/12

(Continued)

FOREIGN PATENT DOCUMENTS

CN 305292243 * 8/2019

OTHER PUBLICATIONS

Brother Thermal transfer roll (fax), no date available [online],
[retrieved Jun. 18, 2021], Available from Internet, URL: <https://www.conrad.com/p/brother-thermal-transfer-roll-fax-original-144-sides-black-1-pcs-pc-71rf-pc71rf-920896>.*

Primary Examiner — Kevin K Rudzinski

(74) *Attorney, Agent, or Firm* — Oliff PLC

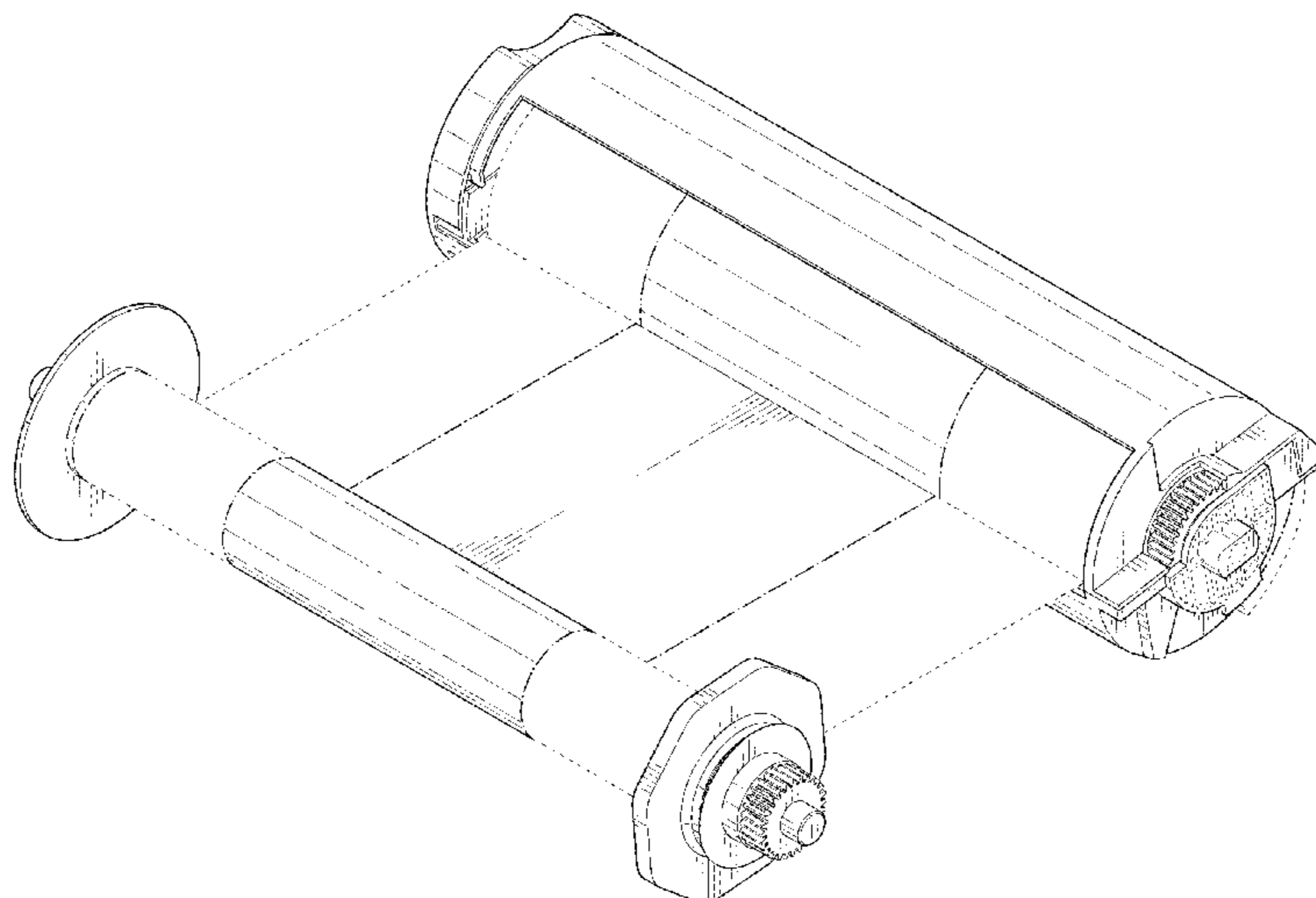
(57) **CLAIM**

The ornamental design for a foil roll unit for foil transfer unit, as shown and described.

DESCRIPTION

FIG. 1 is a front, right, top perspective view of a foil roll unit for foil transfer unit showing the new design;
FIG. 2 is a front elevational view thereof;
FIG. 3 is a top plan view thereof;
FIG. 4 is a left-side elevational view thereof;
FIG. 5 is a right-side elevational view thereof;
FIG. 6 is a rear elevational view thereof;
FIG. 7 is a bottom plan view thereof; and,
FIG. 8 is a rear, left, bottom perspective view thereof.
The evenly spaced broken lines depict portions of the foil roll unit for foil transfer unit that form no part of the claimed design. The dot-dash broken lines depict a boundary of the claimed subject matter and form no part of the claimed design.

1 Claim, 7 Drawing Sheets



(56)

References Cited

U.S. PATENT DOCUMENTS

6,504,564	B1 *	1/2003	Funaki	B41J 17/32
					347/214
D480,749	S *	10/2003	Milton	D18/18
D504,907	S *	5/2005	Neri	D18/12
6,962,451	B2 *	11/2005	Narita	B41J 17/32
					347/178
D514,153	S *	1/2006	Tu	400/208
D521,052	S *	5/2006	Tu	D18/12
D523,062	S *	6/2006	Tu	D18/12
D523,063	S *	6/2006	Tu	D18/12
D523,891	S *	6/2006	Tu	D18/12
D527,761	S *	9/2006	Neri	D18/12
D541,854	S *	5/2007	Motoki	D18/56
D544,536	S *	6/2007	Motoki	D18/56
D544,910	S *	6/2007	Wang	D18/56
D545,358	S *	6/2007	Motoki	D18/56
D545,883	S *	7/2007	Yamamoto	D18/12
D552,171	S *	10/2007	Motoki	347/86
D569,901	S *	5/2008	Jao	347/214
D593,595	S *	6/2009	Kubota	D18/12
D594,503	S *	6/2009	Sakano	D18/12
D594,898	S *	6/2009	Preliasco	D18/12
D599,843	S *	9/2009	Jao	D18/12
D674,839	S *	1/2013	Sakano	D18/56
D909,470	S *	2/2021	Ichikawa	D18/43

* cited by examiner

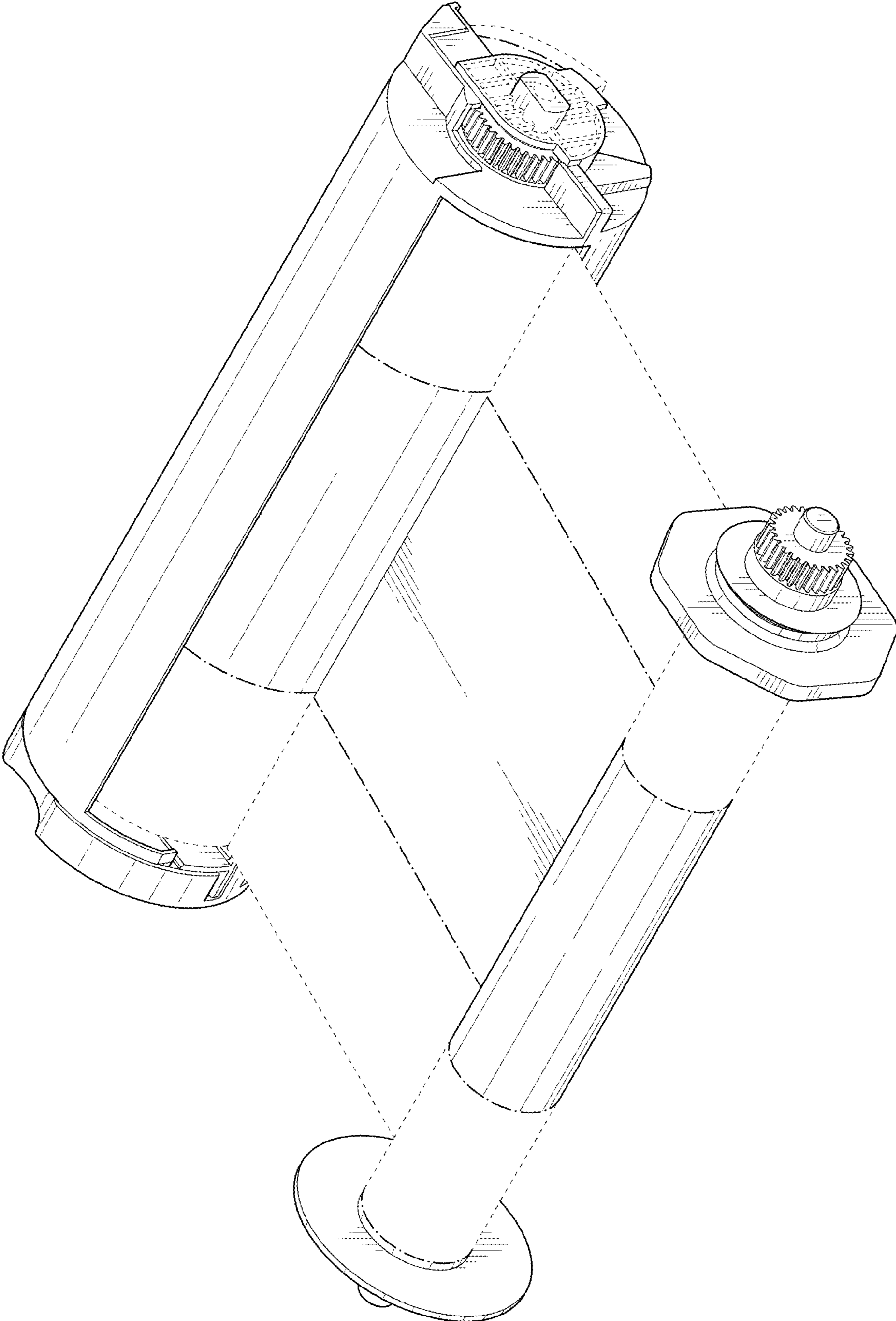


FIG. 1

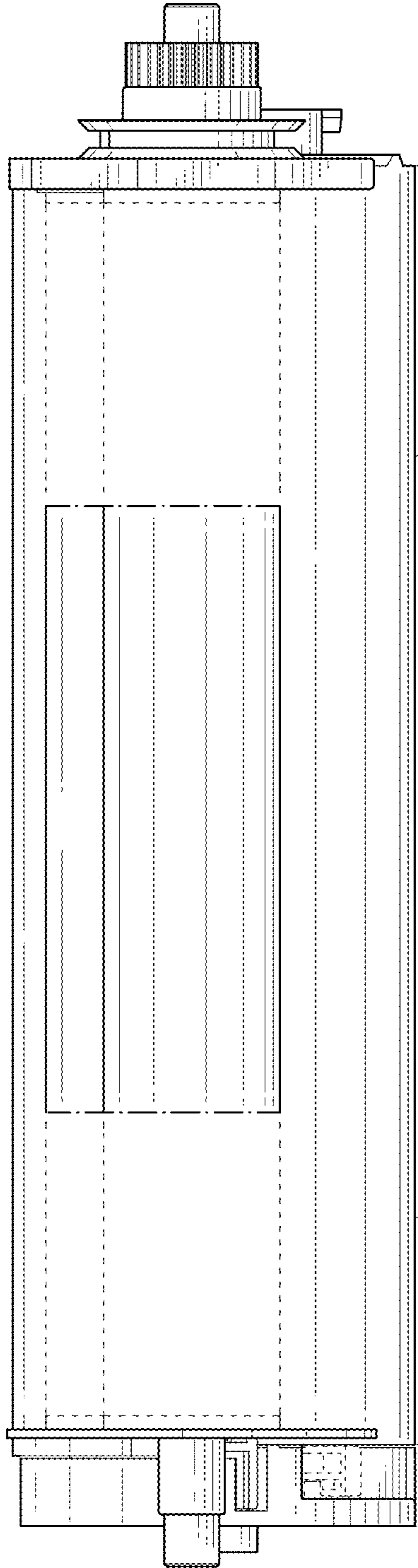


FIG. 2

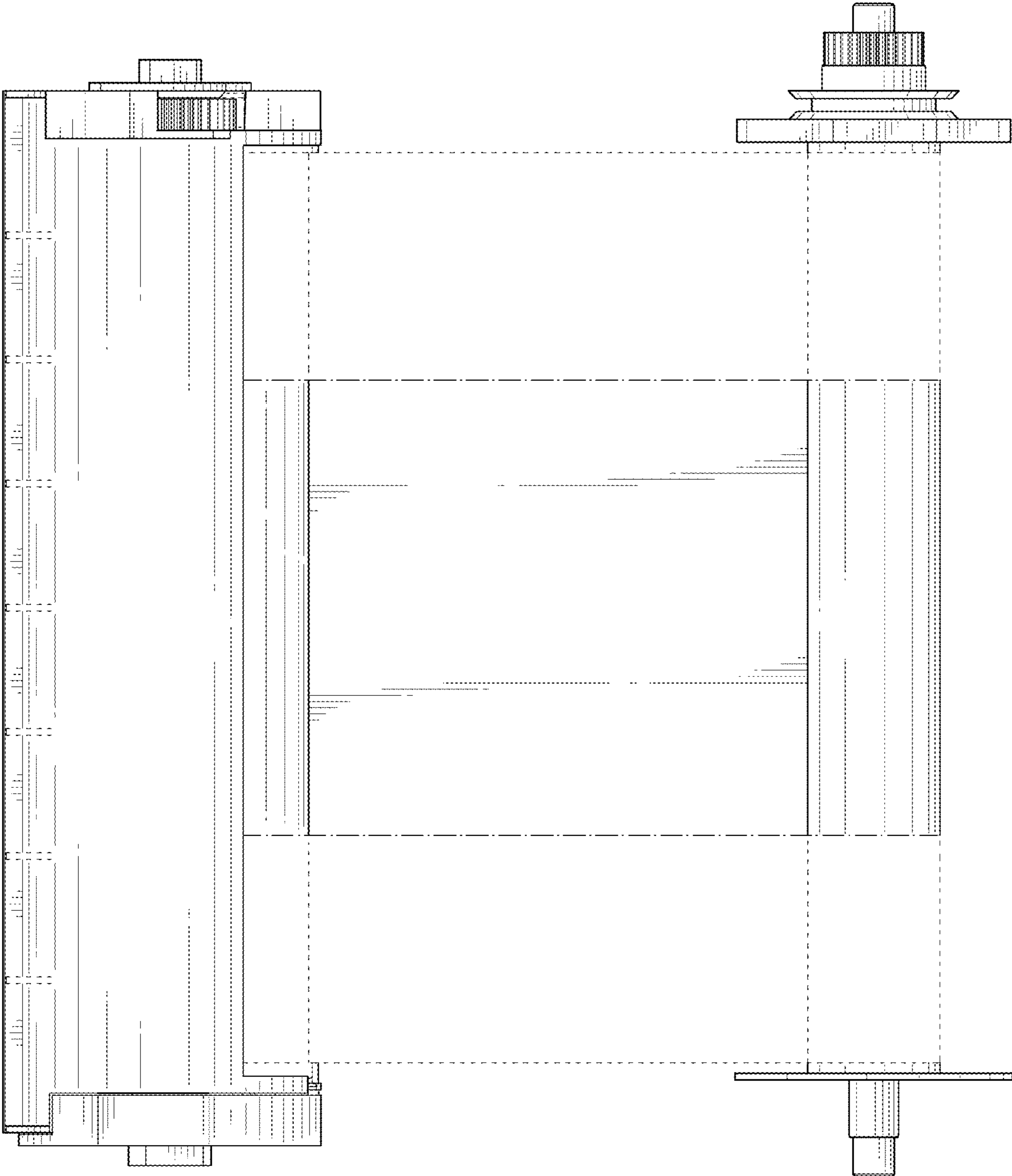


FIG. 3

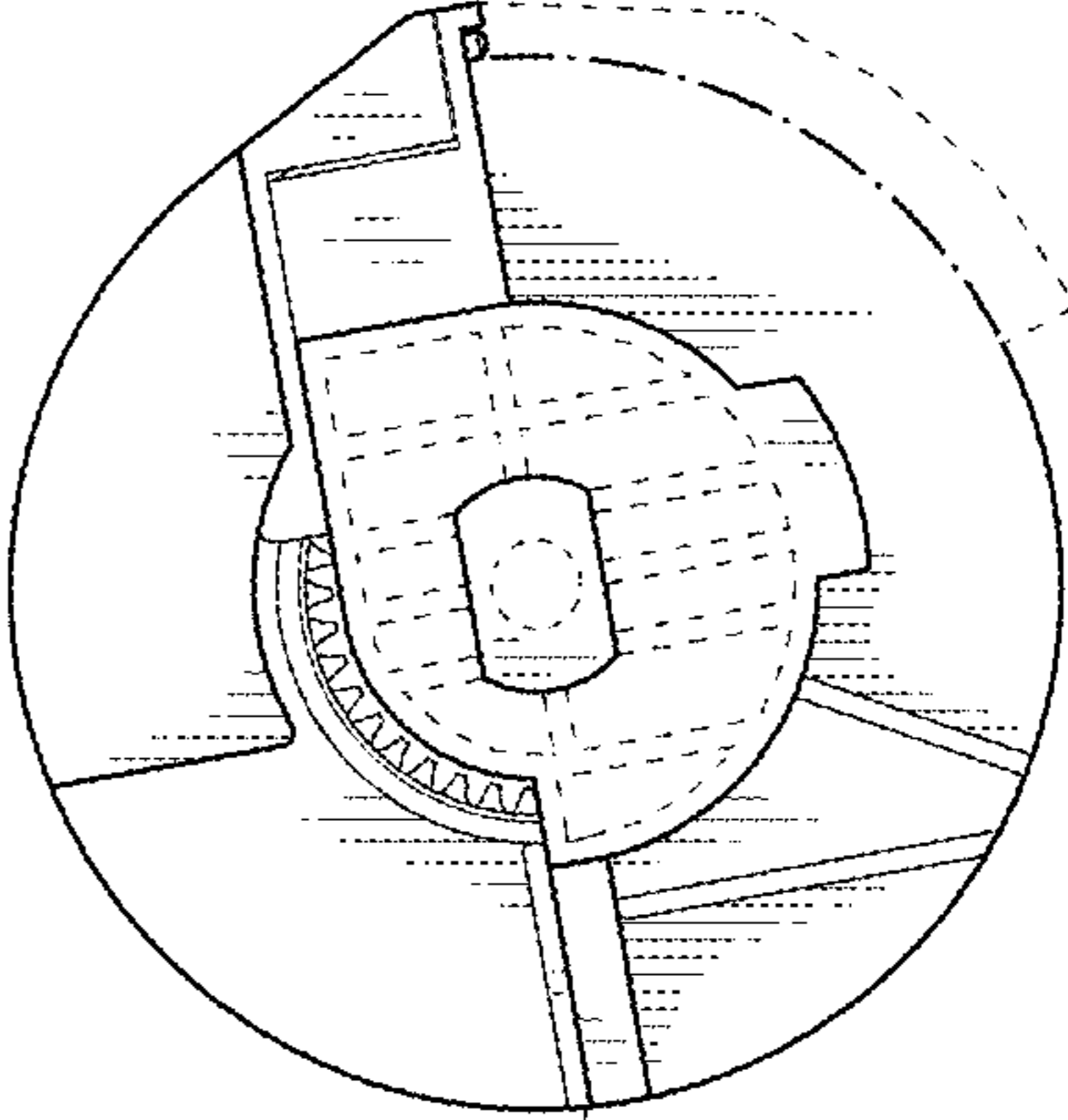
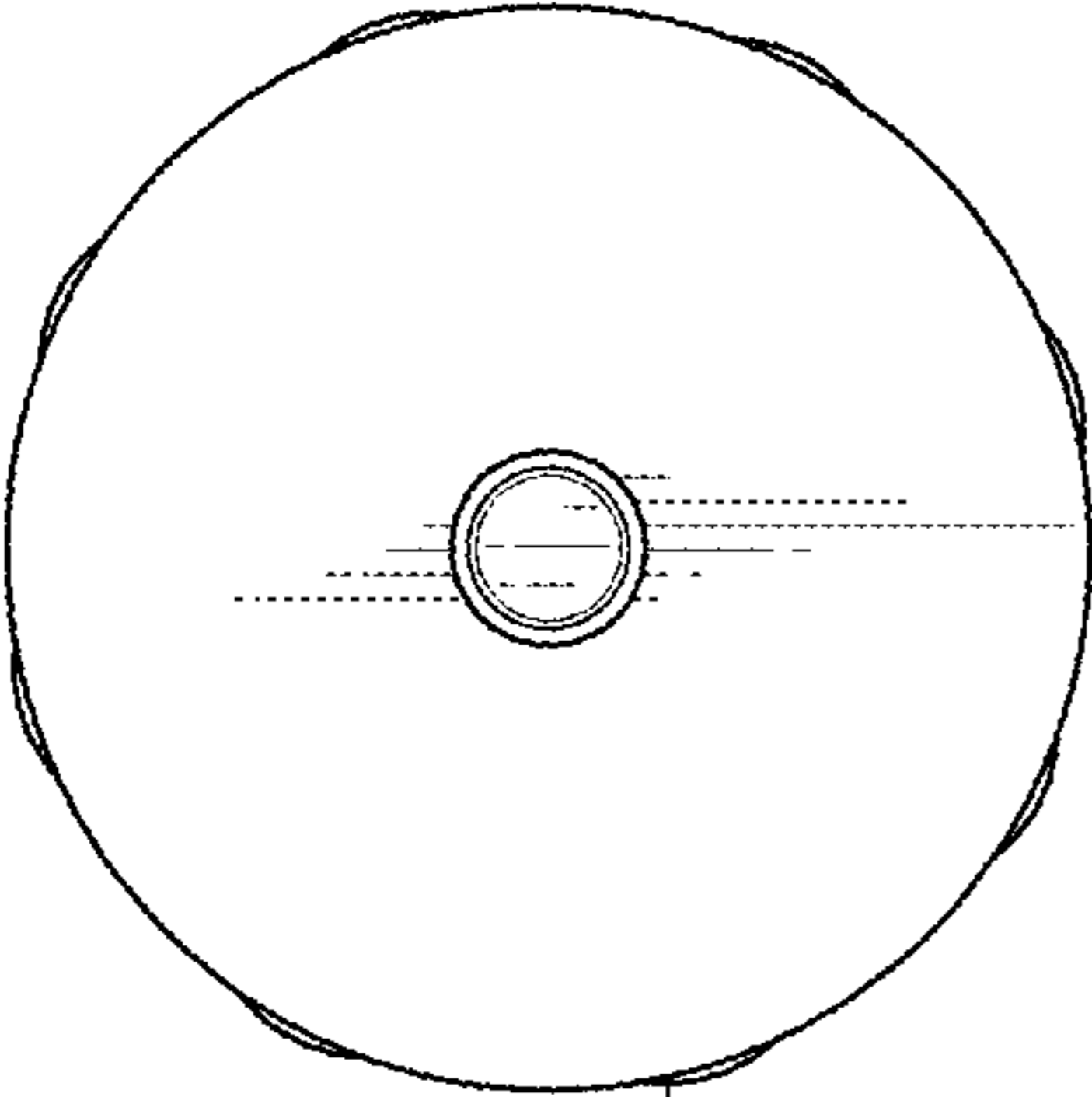
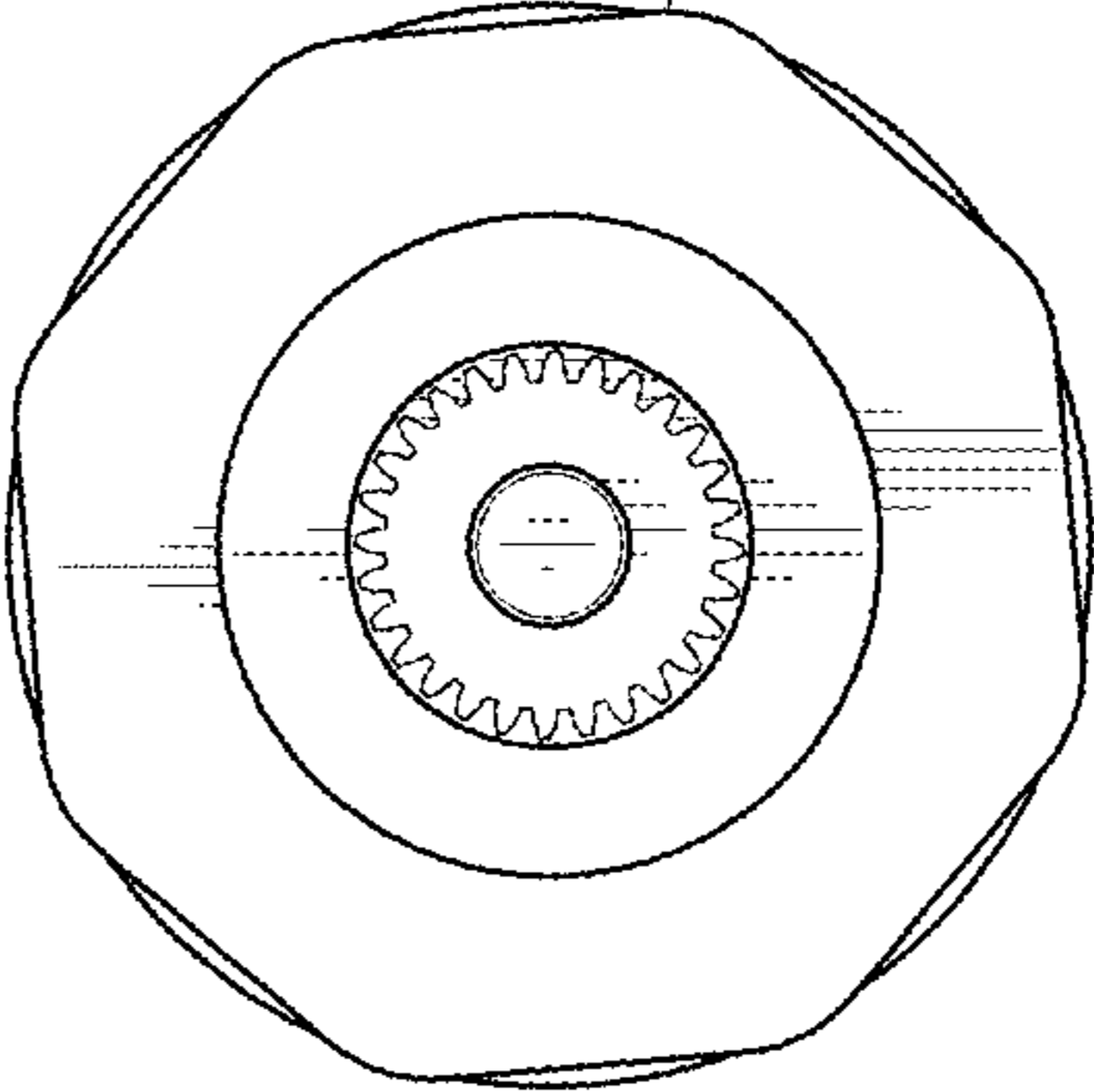
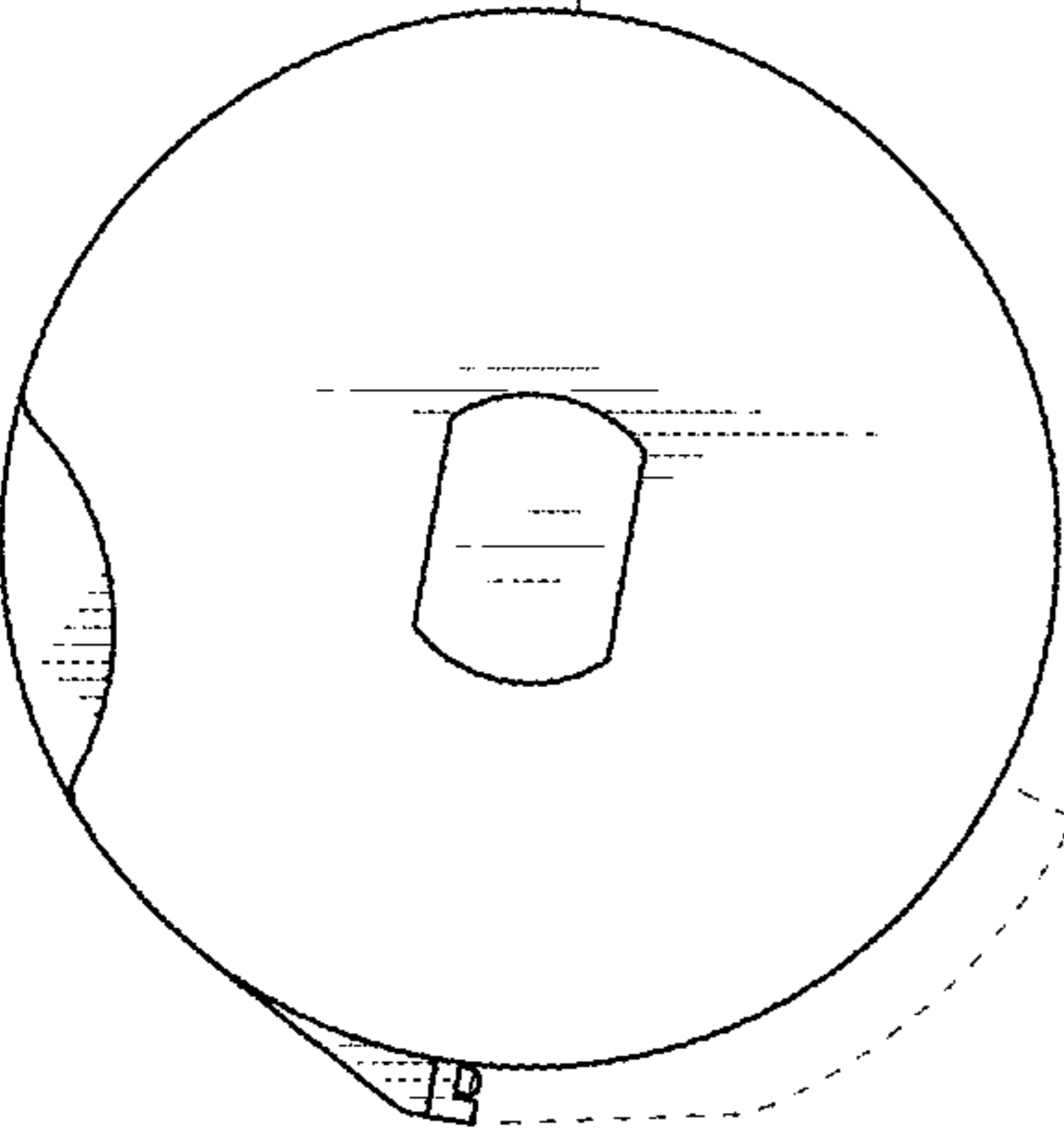


FIG. 4

FIG. 5



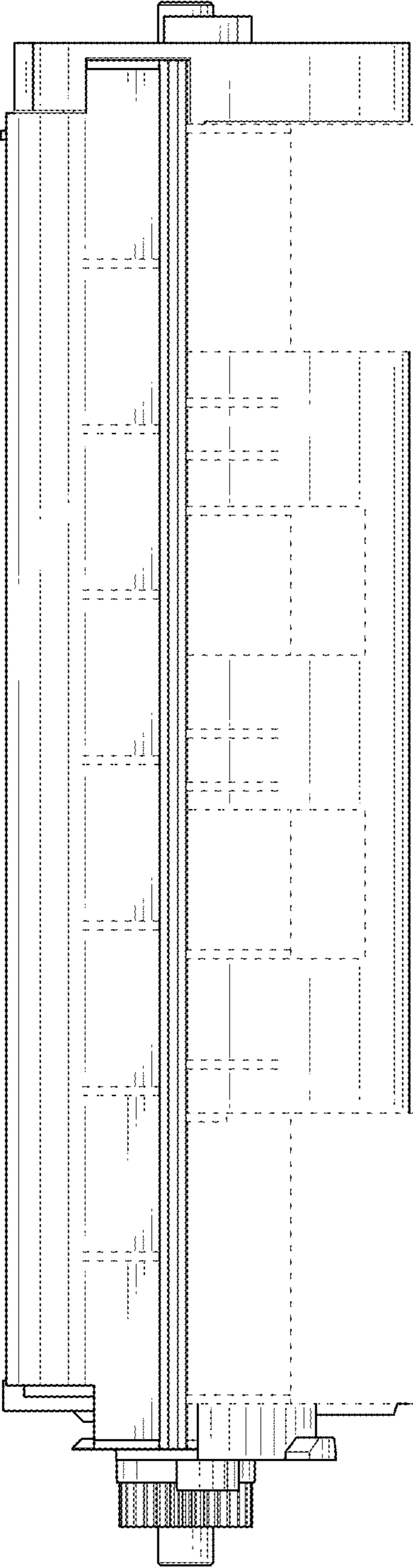


FIG. 6

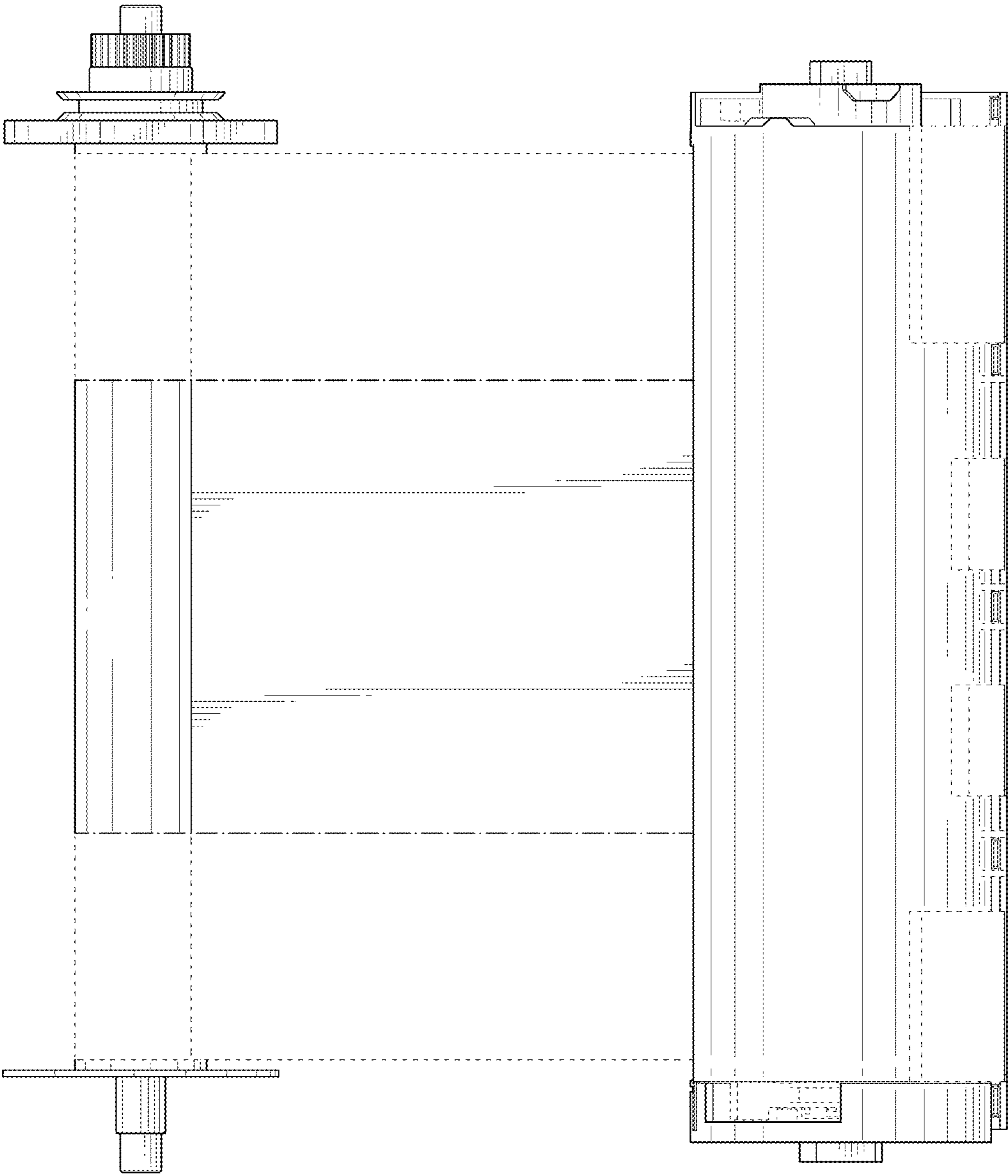


FIG. 7

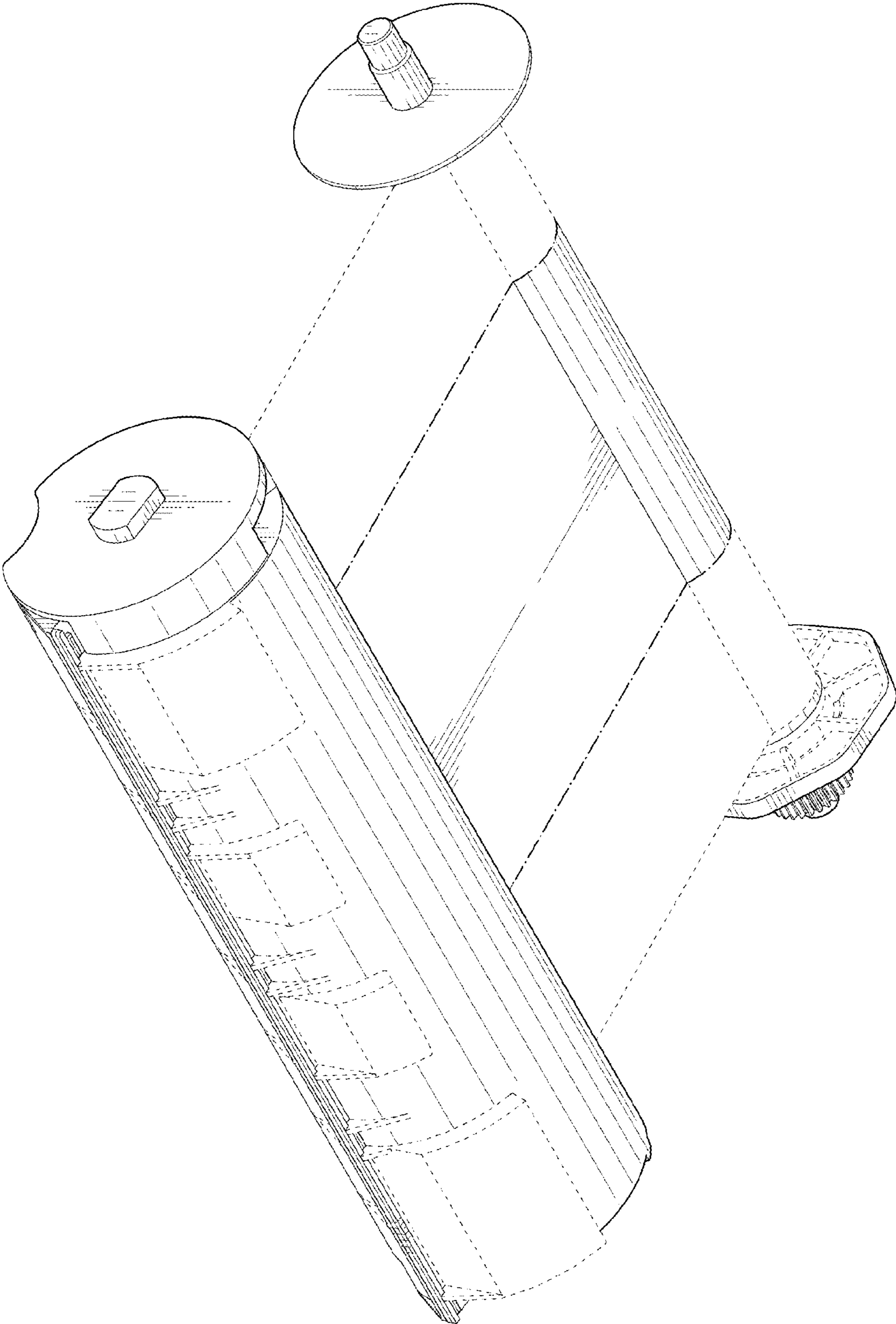


FIG. 8