



US00D948608S

(12) **United States Design Patent** (10) **Patent No.:** **US D948,608 S**  
**Singh et al.** (45) **Date of Patent:** **\*\* Apr. 12, 2022**

(54) **INK CONTAINER CAP**

FOREIGN PATENT DOCUMENTS

(71) Applicant: **Hewlett-Packard Development Company, L.P.**, Spring, TX (US)

EM 006641346-0001 \* 8/2019

(72) Inventors: **Kundan Singh**, Singapore (SG); **Wan Xuan Lim**, Singapore (SG); **Kiran Kattesomanahalli Shanthamallappa**, Singapore (SG)

OTHER PUBLICATIONS

HP Smart Tank Best Buy <https://www.bestbuy.com/site/hp-smart-tank-plus-551-wireless-all-in-one-inkjet-printer/6390493.p?skuId=6390493> Nov. 27, 2019 (Year: 2019).\*

(73) Assignee: **Hewlett-Packard Development Company, L.P.**, Spring, TX (US)

(Continued)

(\*\*) Term: **15 Years**

*Primary Examiner* — Leanne Was-Englehart  
(74) *Attorney, Agent, or Firm* — HP Inc. Patent Department

(21) Appl. No.: **29/678,916**

(57) **CLAIM**

(22) Filed: **Jan. 31, 2019**

The ornamental design for an “ink container cap,” as shown and described.

(51) **LOC (13) Cl.** ..... **18-02**

(52) **U.S. Cl.**  
USPC ..... **D18/43**

**DESCRIPTION**

(58) **Field of Classification Search**  
USPC ..... D15/122, 135–138, 141, 66, 73, 76–78;  
D18/53, 59, 50, 14, 19, 54–57, 36–45,  
D18/34.4, 34.5, 34.6, 18, 51;  
D14/301–303, 307, 345, 216; D6/691.4,  
D6/675, 708; D13/107, 108; D9/435,  
D9/448, 447, 454, 688, 772  
CPC ..... B41J 2/14; B41J 1/54; B41J 3/4073; B41J  
3/4078; B41F 17/22; B41F 17/003; B41F  
17/38; B28B 1/001; G03G 15/08; G03G  
15/0891; G03G 15/0875; G03G  
2215/0827; G03G 2215/0855; G03G  
21/1842

FIG. 1 is a rear, left perspective view of an ink container cap.  
FIG. 2 is a front, left perspective view of the ink container cap of FIG. 1.  
FIG. 3 is a rear view of the ink container cap of FIG. 1.  
FIG. 4 is a front view of the ink container cap of FIG. 1.  
FIG. 5 is a top view of the ink container cap of FIG. 1.  
FIG. 6 is a bottom view of the ink container cap of FIG. 1.  
FIG. 7 is a left side view of the ink container cap of FIG. 1.  
FIG. 8 is a right side view of the ink container cap of FIG. 1; and,  
FIG. 9 is another front view of the ink container cap of FIG. 1 in an environment of use.

See application file for complete search history.

The dashed lines shown in the drawings depict portions of the ink container cap that form no part of the claimed design. The dot-dot-dashed lines shown in the drawings depict boundaries of the claimed design and form no part of the claimed design. The dashed lines showing a printer in FIG. 9 depict environmental subject matter and form no part of the claimed design.

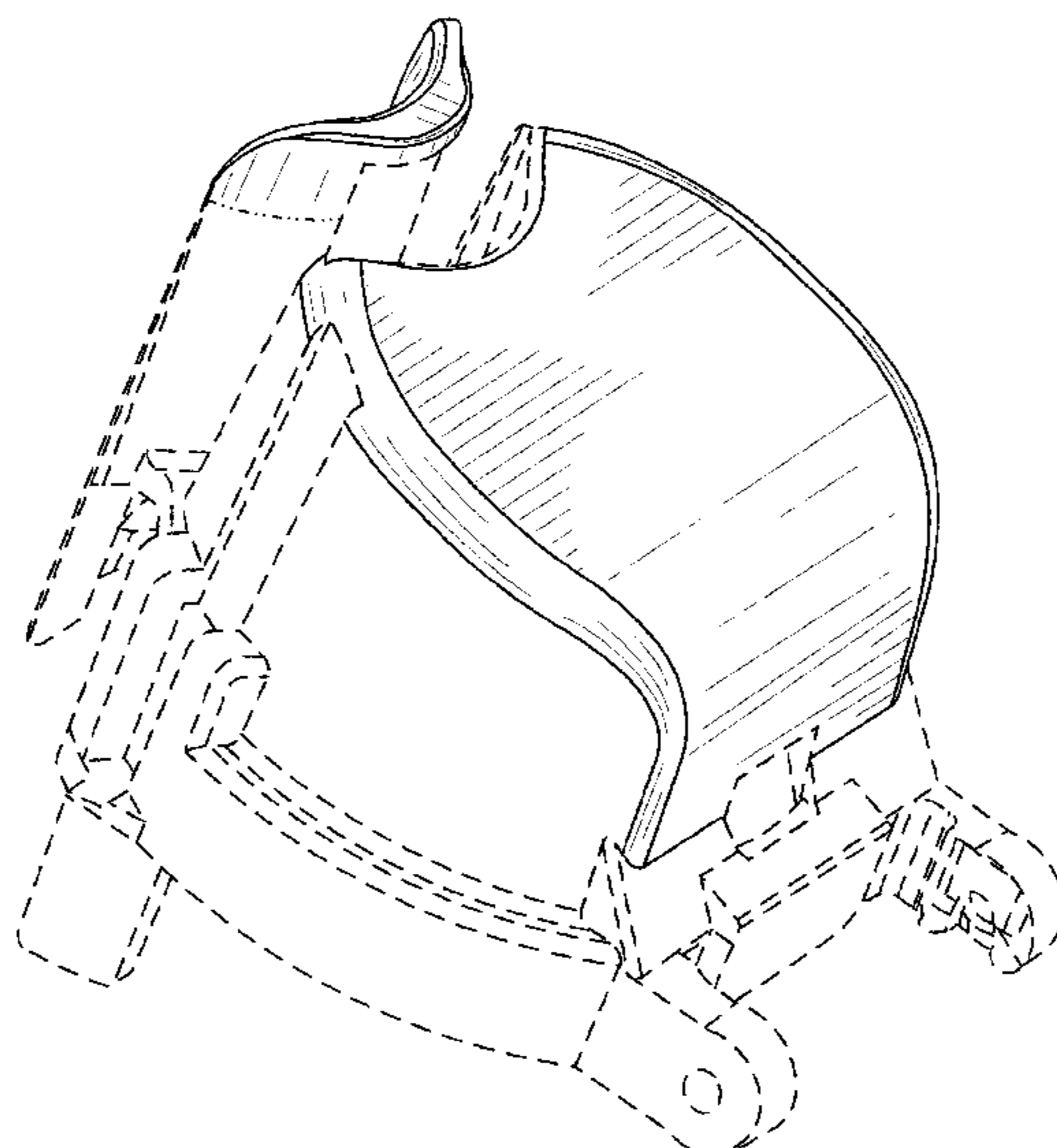
(56) **References Cited**

U.S. PATENT DOCUMENTS

D291,782 S \* 9/1987 O’Neil, Jr. et al. .... D9/448  
D335,817 S \* 5/1993 Greubel ..... D9/688

(Continued)

**1 Claim, 6 Drawing Sheets**



(56)

References Cited

U.S. PATENT DOCUMENTS

D406,763 S \* 3/1999 Watkins ..... D9/448  
 D482,616 S \* 11/2003 Faubion ..... D9/445  
 D492,193 S \* 6/2004 Miller ..... D9/688  
 D494,470 S \* 8/2004 Guyot ..... D9/435  
 D499,012 S \* 11/2004 Illenberger ..... D9/686  
 D506,389 S \* 6/2005 Geier ..... D9/448  
 D531,038 S \* 10/2006 Mongeon ..... D9/522  
 D576,874 S \* 9/2008 Miller ..... D9/448  
 D608,640 S \* 1/2010 Carreno ..... D9/449  
 D609,964 S \* 2/2010 Lane ..... D7/392.1  
 7,789,278 B2 \* 9/2010 Ruiz de Gopegui .....  
 B05B 7/2435  
 222/136  
 D625,605 S \* 10/2010 Bardet ..... D9/449  
 D653,281 S \* 1/2012 Shih ..... D18/18  
 D665,669 S \* 8/2012 Folli ..... D9/448  
 D667,268 S \* 9/2012 Pallotto ..... D7/510  
 D676,708 S \* 2/2013 Lane ..... D7/510  
 D680,432 S \* 4/2013 Geier ..... D9/448  
 D686,872 S \* 7/2013 Lane ..... D7/392.1  
 D686,917 S \* 7/2013 Seng ..... D9/448  
 8,622,256 B2 \* 1/2014 Campbell ..... B29D 99/0096  
 222/402.11

D718,626 S \* 12/2014 Lane ..... B65D 41/62  
 D9/449  
 D725,469 S \* 3/2015 Davis ..... D9/447  
 8,967,436 B2 \* 3/2015 Andersen ..... B65D 83/205  
 222/402.13  
 D725,966 S \* 4/2015 Boroski ..... D7/511  
 D747,147 S \* 1/2016 Sanbar ..... D7/510  
 D749,416 S \* 2/2016 Herbst ..... D9/447  
 D750,491 S \* 3/2016 Campbell ..... D9/448  
 D766,084 S \* 9/2016 Jiang ..... D9/448  
 D780,578 S \* 3/2017 Lane ..... D7/396.2  
 D782,309 S \* 3/2017 Jiang ..... D9/448  
 D793,472 S \* 8/2017 Suzuki ..... D18/43  
 D818,362 S \* 5/2018 Kalagher ..... D9/436  
 D821,202 S \* 6/2018 Harris ..... D9/503  
 D836,434 S \* 12/2018 Gibson ..... D9/448  
 D838,170 S \* 1/2019 Jack ..... D9/448  
 D853,784 S \* 7/2019 Wu ..... D7/392.1  
 D860,788 S \* 9/2019 Abadilla ..... D9/447

OTHER PUBLICATIONS

Осзор МФУ HP Smart Tank 615 All-in-One Pacheco <https://pacheco.ru/reviews/mfu-hp-smart-tank-615-all-in-one/> Jul. 16, 2019 (Year: 2019).\*

\* cited by examiner

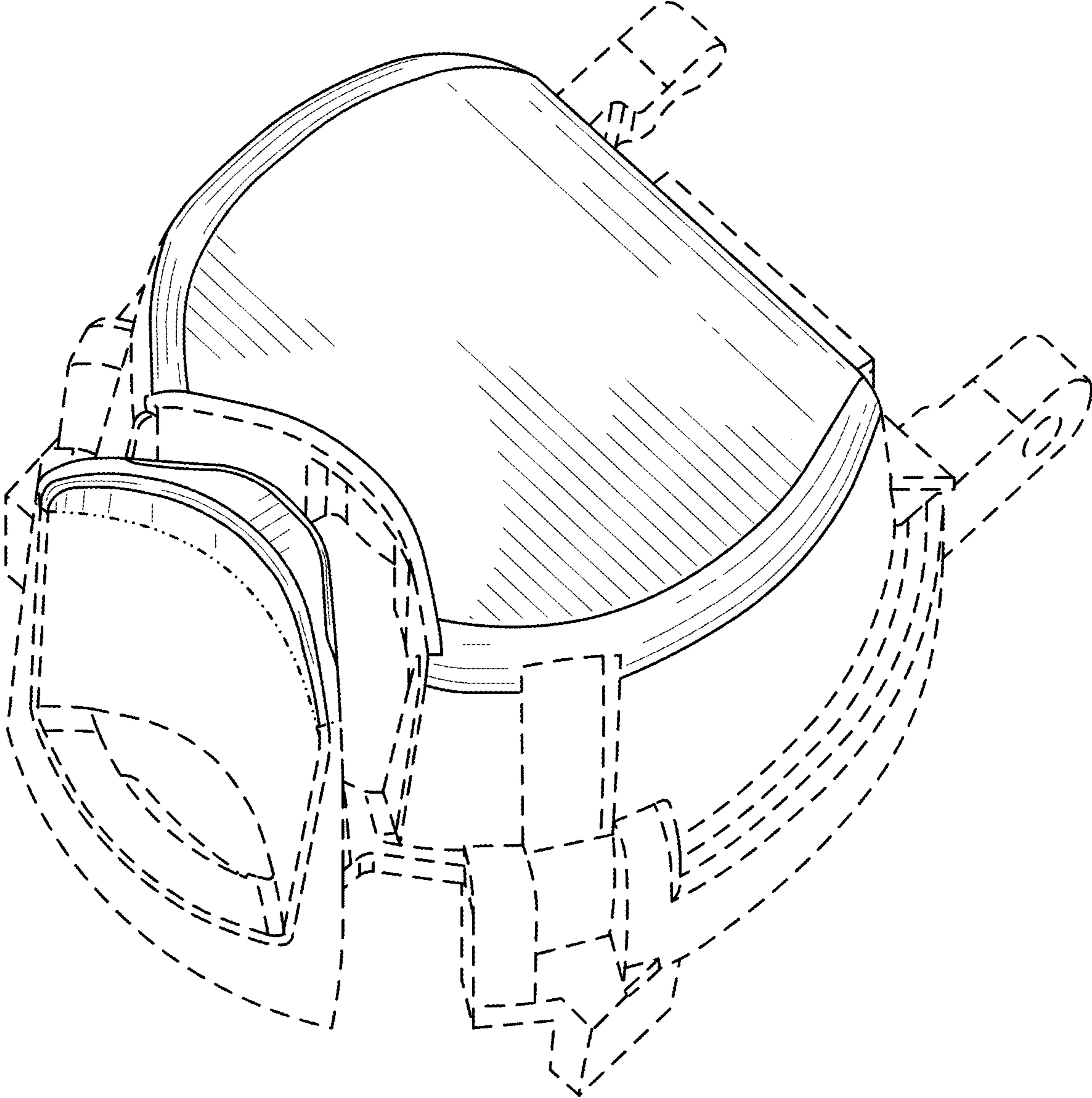


FIG. 1

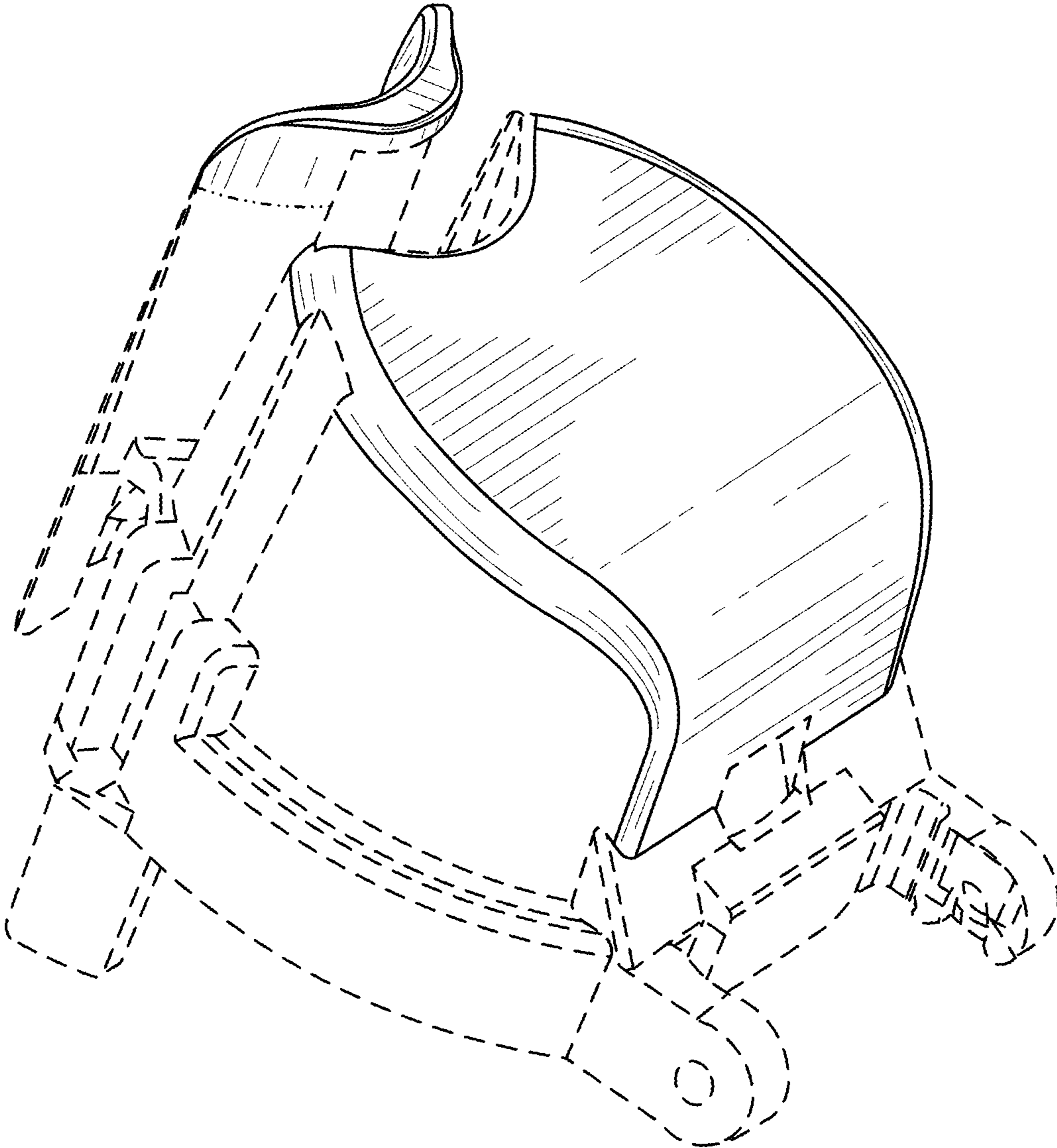


FIG. 2

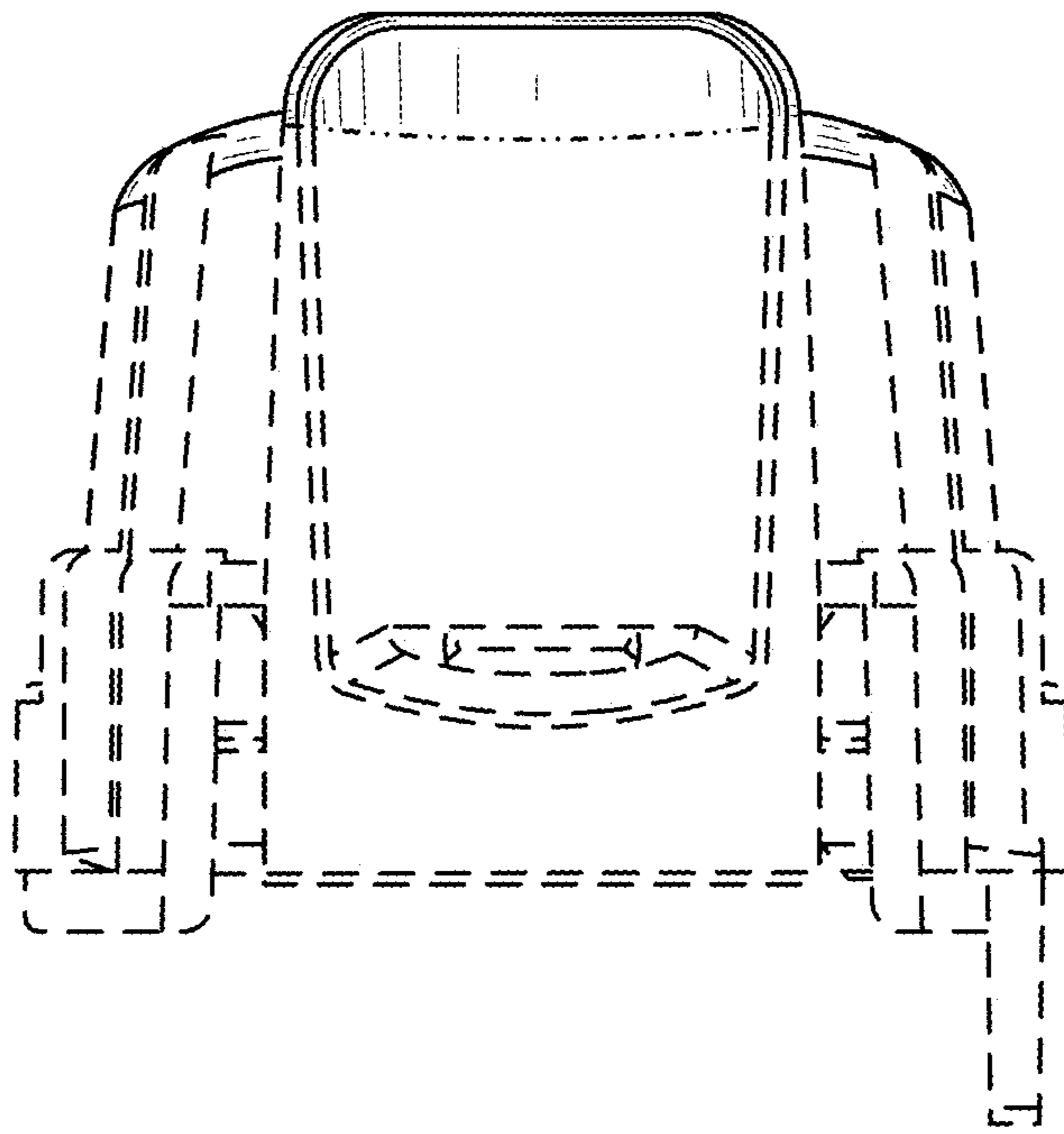


FIG. 3

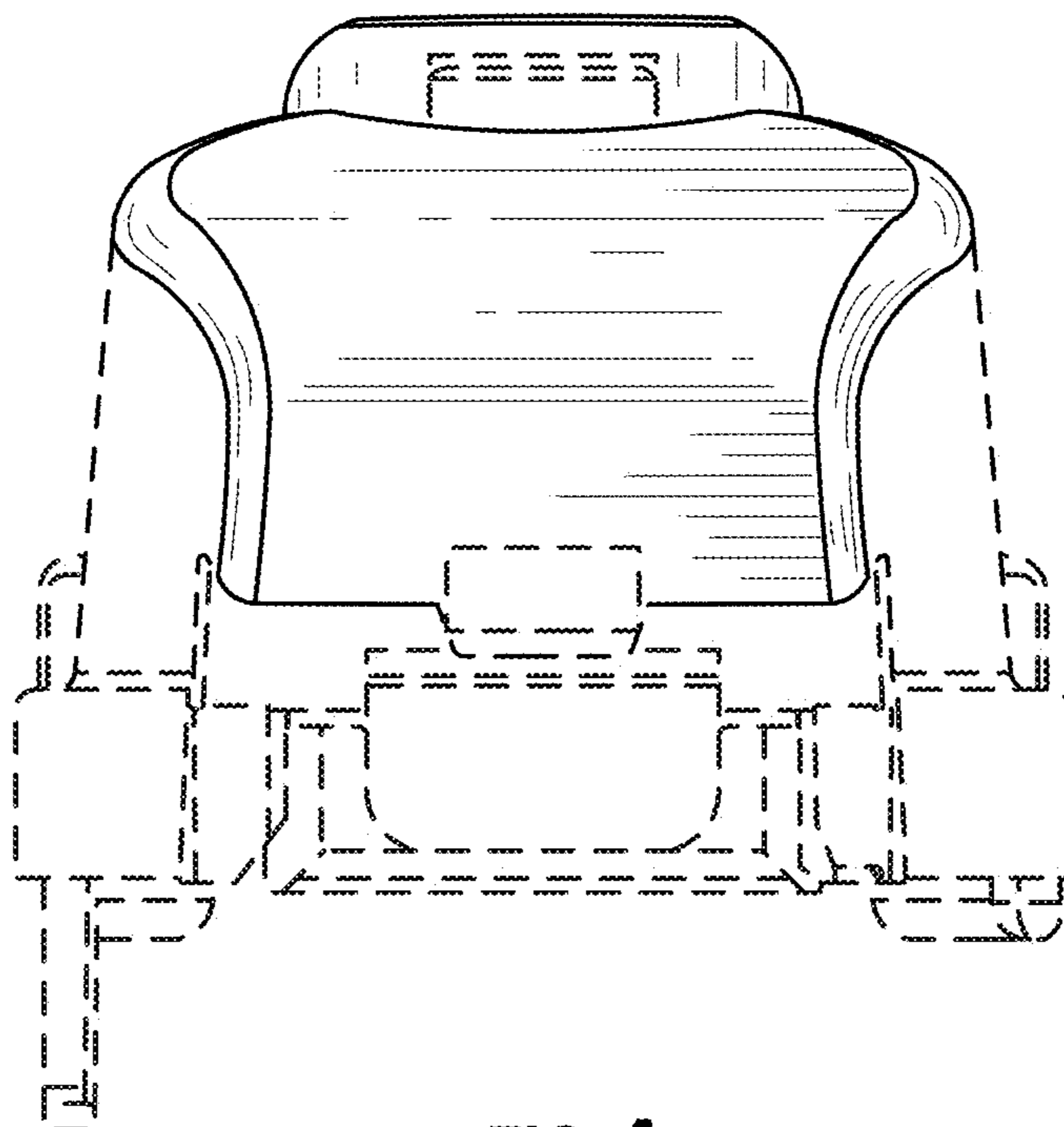


FIG. 4

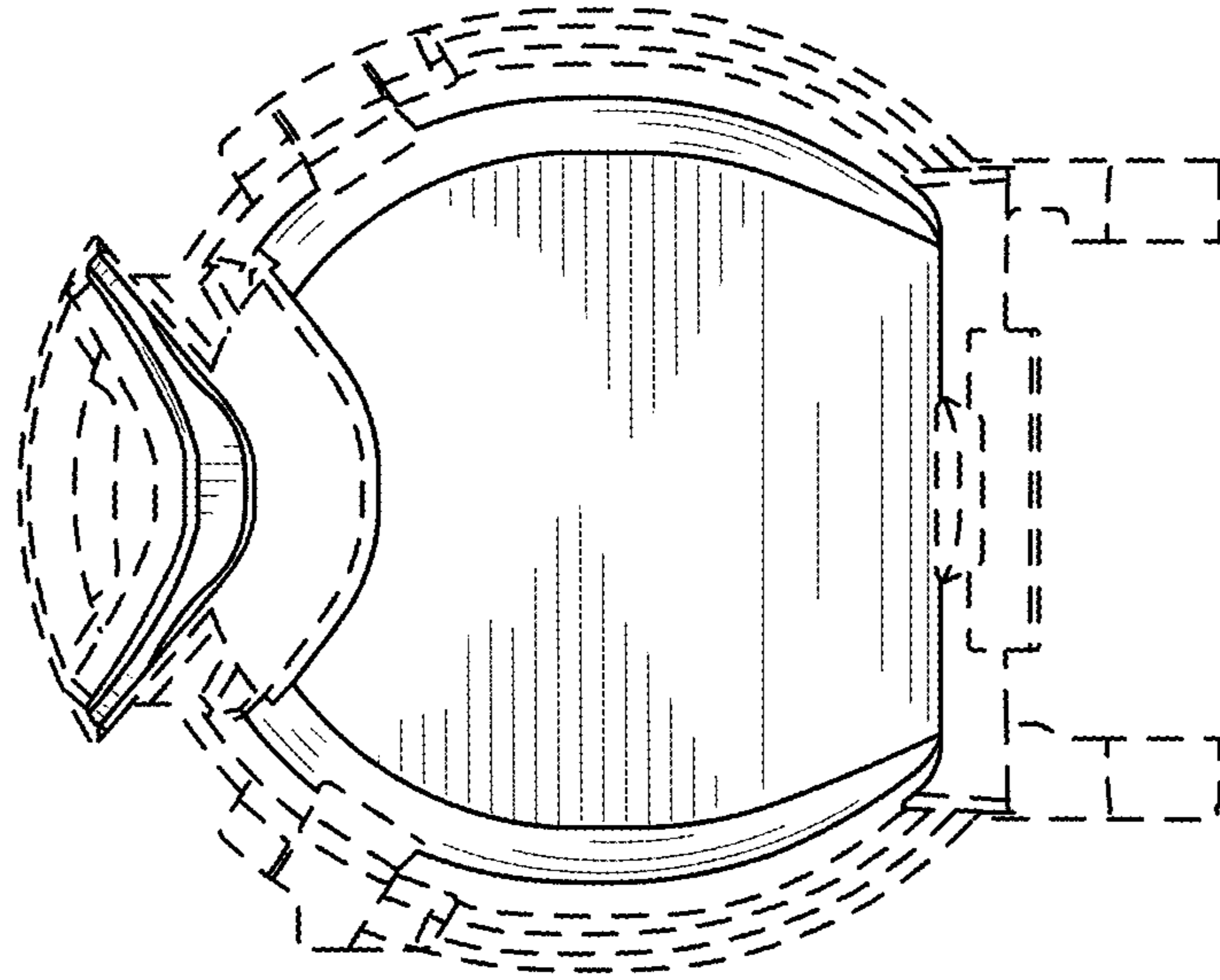


FIG. 5

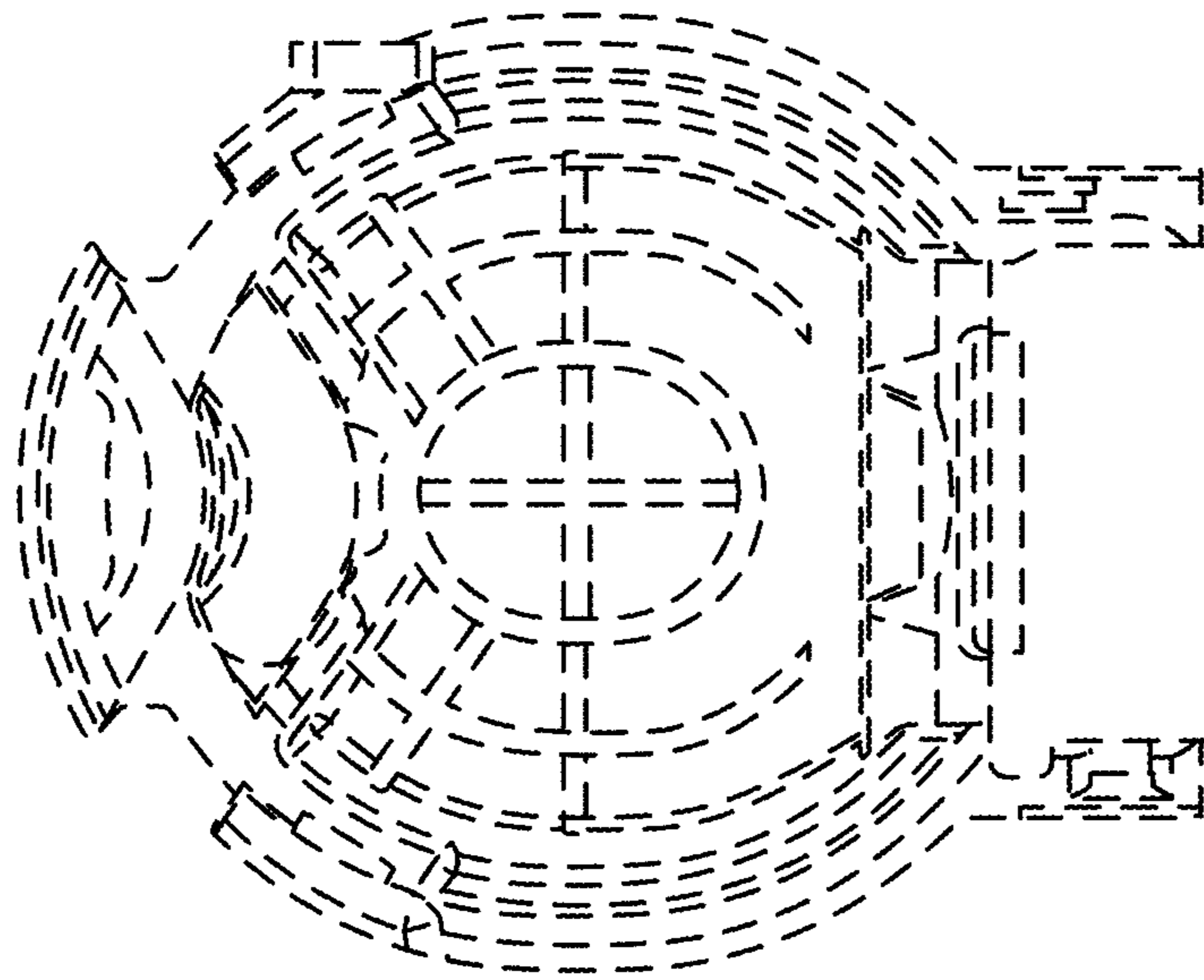


FIG. 6

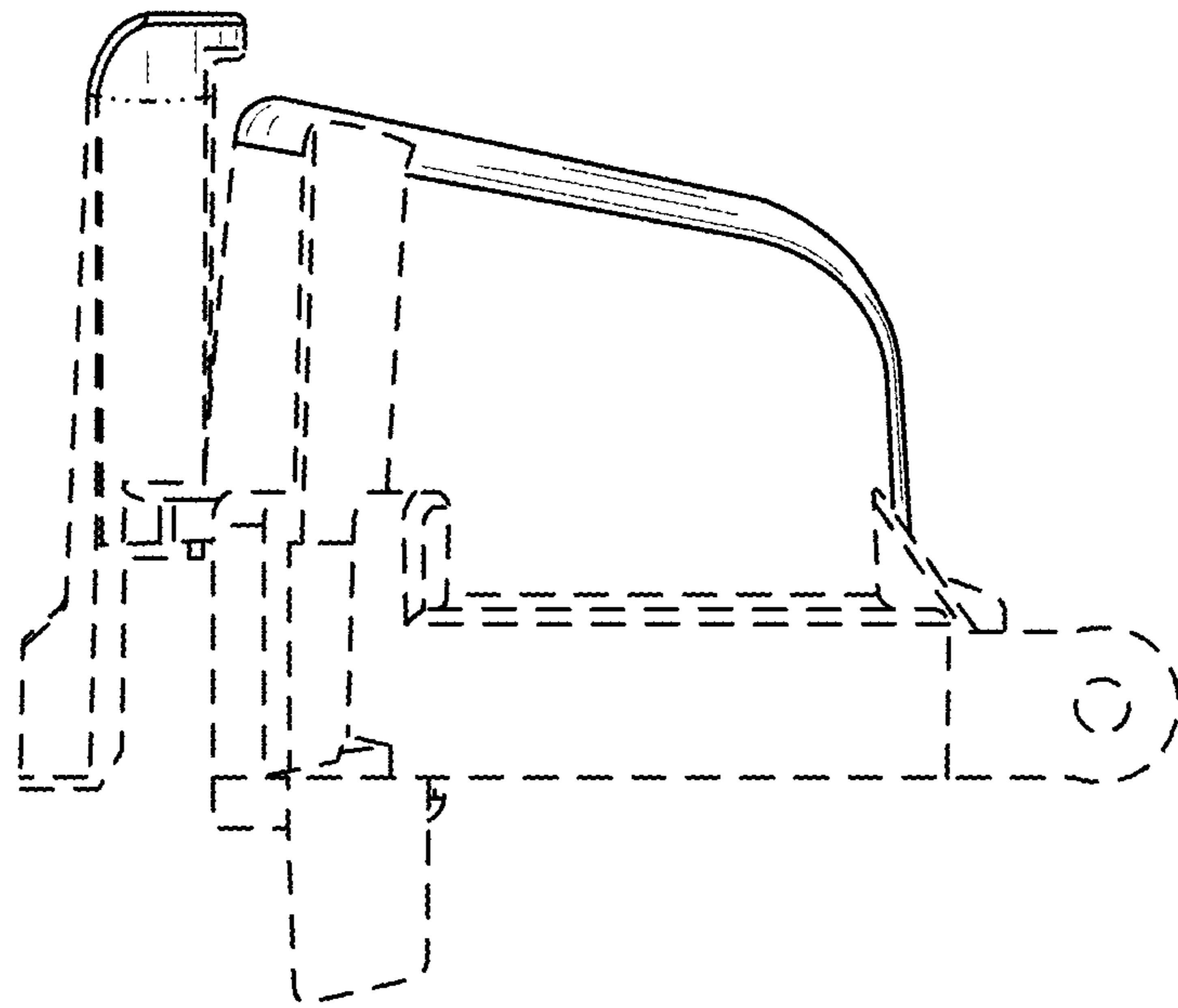


FIG. 7

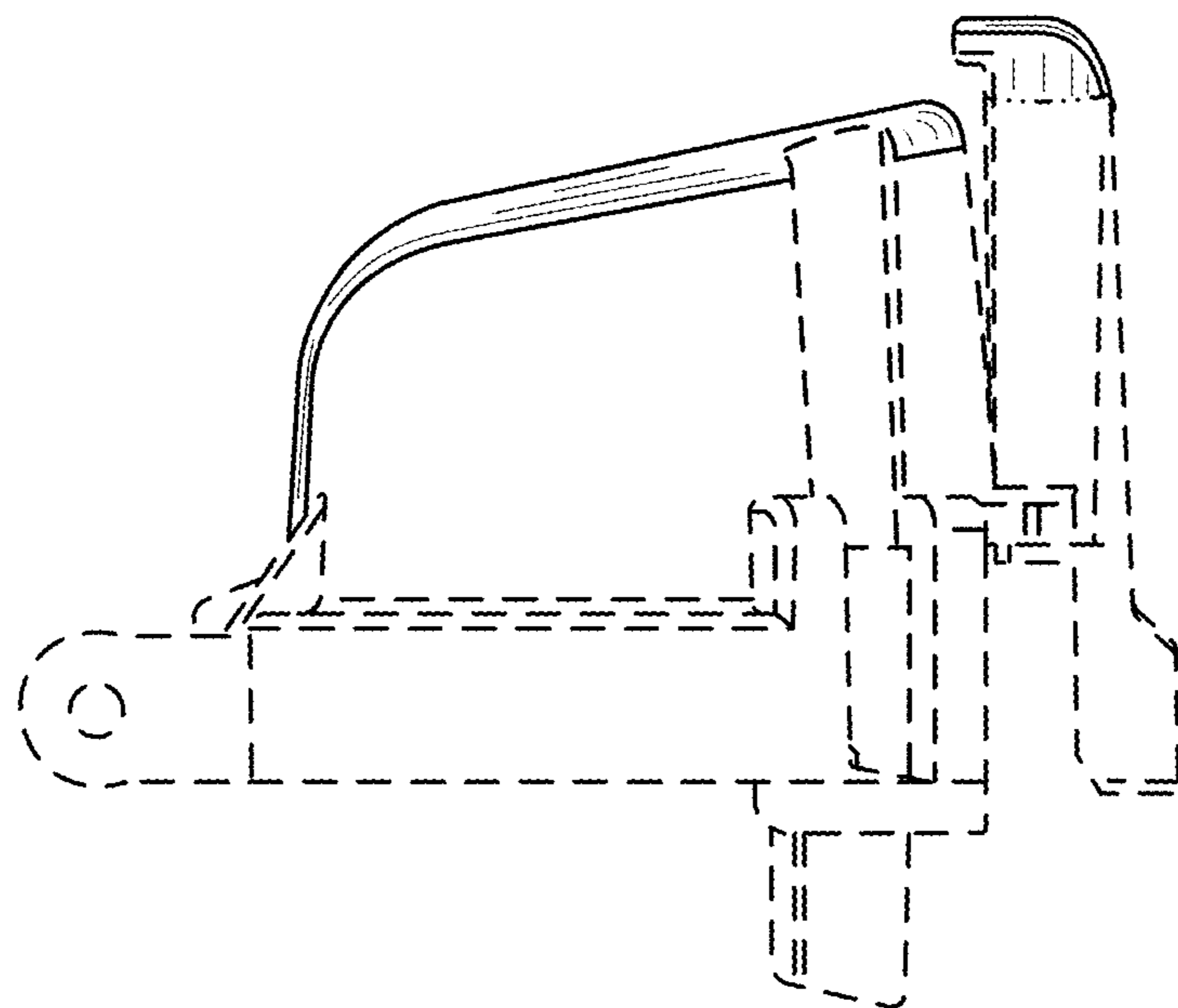


FIG. 8

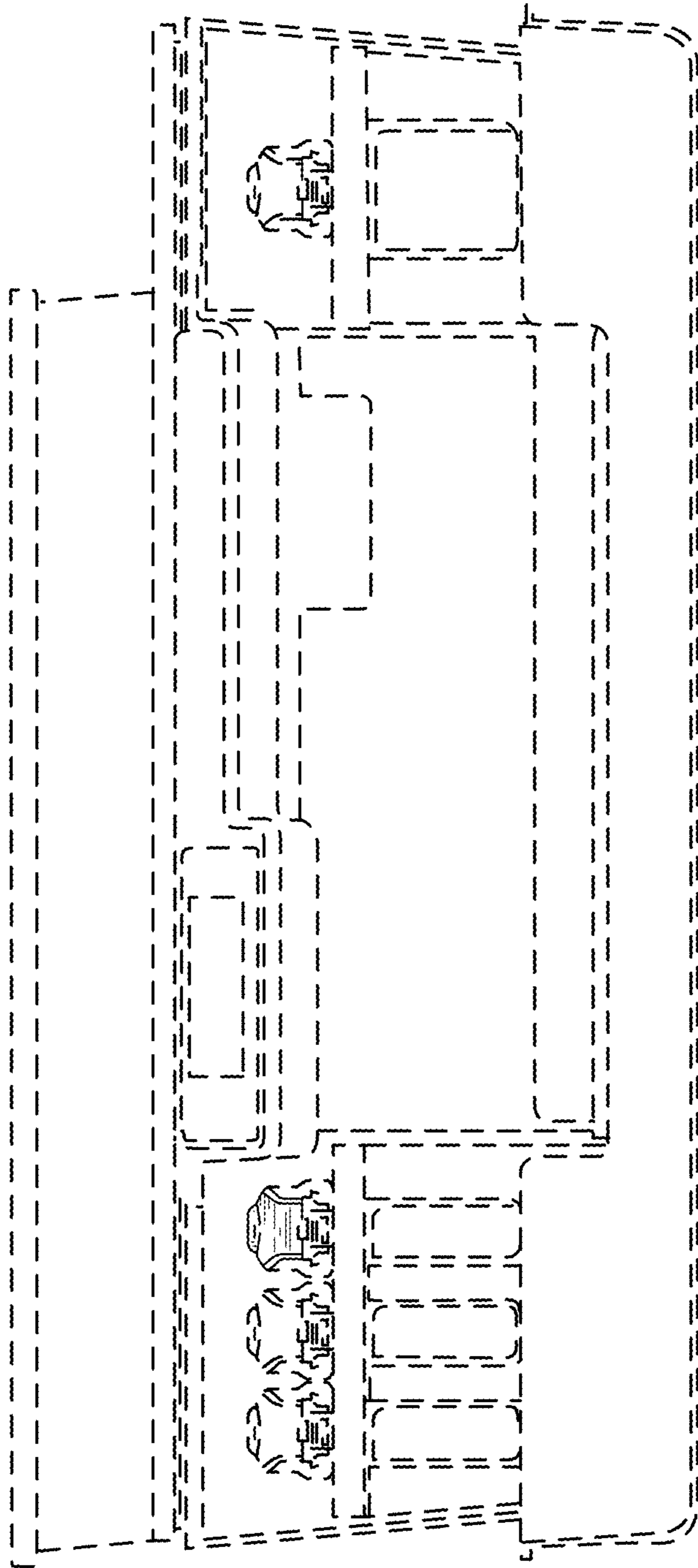


FIG. 9