



US00D948601S

(12) **United States Design Patent**
Therrien

(10) **Patent No.:** **US D948,601 S**
(45) **Date of Patent:** **** Apr. 12, 2022**

(54) **SUNGLASSES WITH LIGHTNING-SHAPED ARMS**

FOREIGN PATENT DOCUMENTS

(71) Applicant: **Crush Groovin LLC**, Fort Lauderdale, FL (US)

CN 303330273 * 8/2015
CN 305544923 * 1/2020

(72) Inventor: **Seth Robert Therrien**, Fort Lauderdale, FL (US)

OTHER PUBLICATIONS

(73) Assignee: **Crush Groovin LLC**, Fort Lauderdale, FL (US)

Shady VEU Semi Rimless Neon Rainbow Sunglasses, early review date Mar. 9, 2020, [online], [site visited Sep. 27, 2020]. Available from Internet, <URL: <https://www.amazon.com/ShadyVEU-Rimless-Sunglasses-Mirrored-Protection/dp/B07WJXXMFX?th=1>> (Year: 2020).*

(**) Term: **15 Years**

(Continued)

(21) Appl. No.: **29/689,653**

Primary Examiner — Sanjeev Paul

(22) Filed: **Apr. 30, 2019**

(74) *Attorney, Agent, or Firm* — Mark C. Johnson; Johnson Dalal

(51) **LOC (13) Cl.** **16-06**

(52) **U.S. Cl.**
USPC **D16/335**

(57) **CLAIM**

(58) **Field of Classification Search**

The ornamental design for sunglasses with lightning-shaped arms, as shown and described.

USPC D16/101, 300–342; D29/109–110; 351/41, 44, 45–48, 51–52, 62, 158, 92, 351/103–123, 140–153, 63, 59
CPC ... A63B 33/00; A63B 33/002; A63B 2244/19; G02C 5/22; G02C 5/2218; G02C 5/2236; G02C 5/2245; G02C 5/2254; G02C 5/2272; G02C 5/16; G02C 5/14; G02C 5/146; G02C 5/008; G02C 2200/00; G02C 2200/02; G02C 2200/04; G02C 2200/06; G02C 2200/08; G02C 5/02; G02C 5/04; G02C 5/143; G02C 5/20
See application file for complete search history.

DESCRIPTION

FIG. 1 is a downward and rearward looking perspective view of sunglasses with lightning-shaped arms in accordance with the present invention;
FIG. 2 is a left-side elevational view of the sunglasses in FIG. 1;
FIG. 3 is a right-side elevational view of the sunglasses in FIG. 1;
FIG. 4 is a top plan view of the sunglasses in FIG. 1;
FIG. 5 is a bottom plan view of the sunglasses in FIG. 1;
FIG. 6 is a front elevational view of the sunglasses in FIG. 1; and,
FIG. 7 is a rear elevational view of the sunglasses in FIG. 1.
The broken lines shown in the drawings are included for the purpose of illustrating unclaimed portions of the sunglasses with lightning-shaped arms and forms no part of the claimed design.

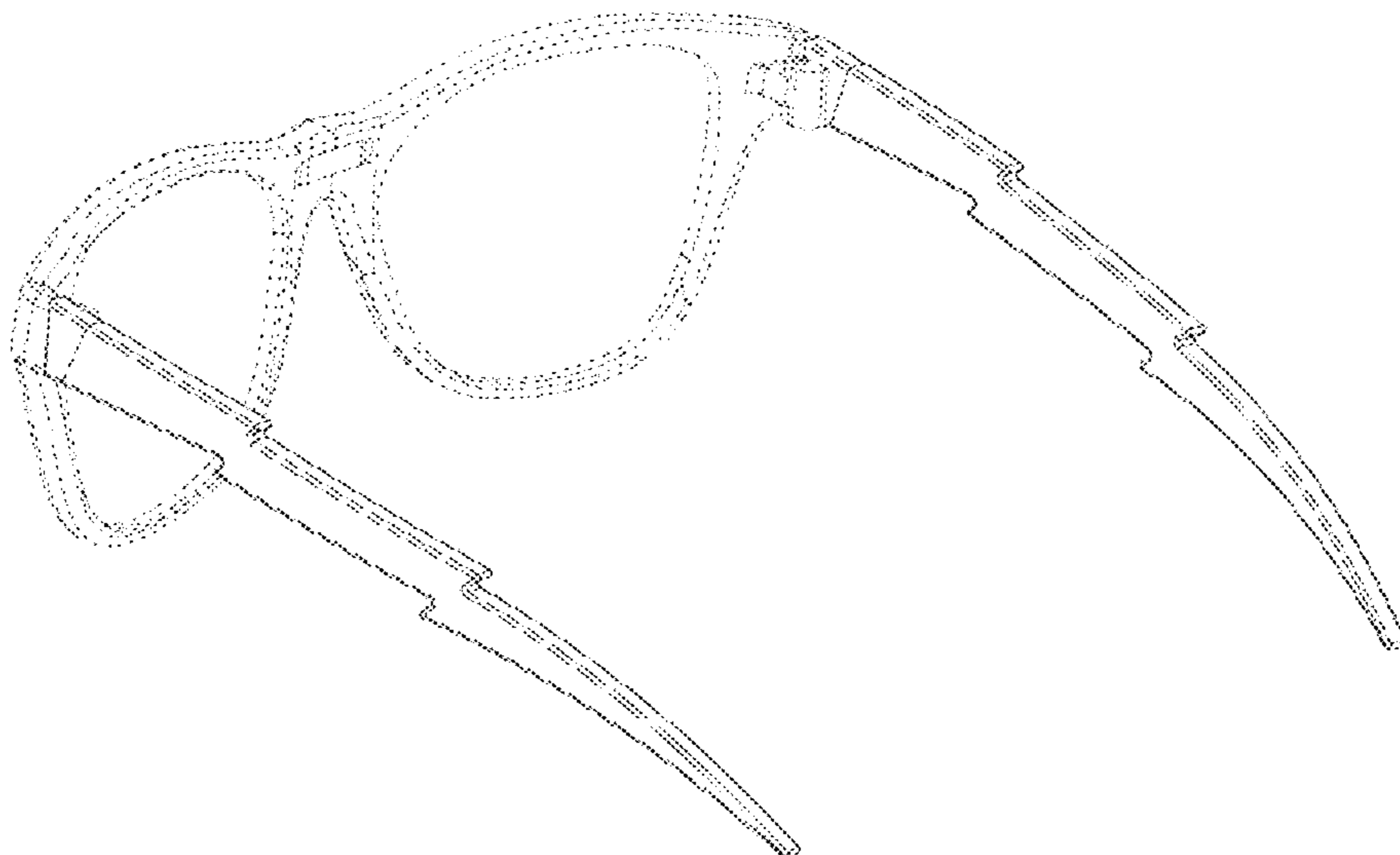
(56) **References Cited**

U.S. PATENT DOCUMENTS

D86,623 S * 3/1932 Mintz D16/335
D162,828 S * 4/1951 Hirschman D16/316
D177,992 S * 6/1956 Kono D16/342
D253,415 S * 11/1979 Solomon D16/335
D311,197 S * 10/1990 Jannard D16/335

(Continued)

1 Claim, 5 Drawing Sheets



(56)

References Cited

U.S. PATENT DOCUMENTS

D320,031	S	*	9/1991	Wilson	D16/335
D330,718	S	*	11/1992	Hatchiguian	D16/335
D334,584	S	*	4/1993	Wilson	D16/335
D344,965	S	*	3/1994	Kahaney	D16/335
D416,037	S	*	11/1999	Grimaldi	D16/318
D549,268	S	*	8/2007	Daems	D16/321
D633,551	S	*	3/2011	Zoonens	D16/321
D724,136	S	*	3/2015	Miller et al.		

OTHER PUBLICATIONS

Google search: “zig zag glasses” [site visited Jul. 17, 2021]:
https://www.google.com/search?q=zig+zag+glasses&sxsrf=ALeKk02oJZFoCN8Tbsty9fUjP1ZoC1_0Q:1626495614351&source=lnms&tbm=isch&sa=X&ved=2ahUKEwito8mqoOnxAhU1F1kFHb4OCyAQ_AUoAnoECAEQBA&biw=1200&bih=1777 (Year: 2021).*

Google search: “lightning glasses” [site visited Jul. 17, 2021]:
https://www.google.com/search?q=lightning+glasses&sxsrf=ALeKk0316SpiRMxhujapuZ81DBNbalSsVA:1626388169567&source=lnms&tbm=isch&sa=X&ved=2ahUKEwiaifSlkObxAhX8GFkFHemDCZkQ_AUoAnoECAEQBA&biw=1920&bih=937 (Year: 2021).*

Crush Groovin website: [online], [site visited Jul. 16, 2021] Available from Internet, <URL:<https://www.crushgroovin.com/>> (Year: 2021).*

* cited by examiner

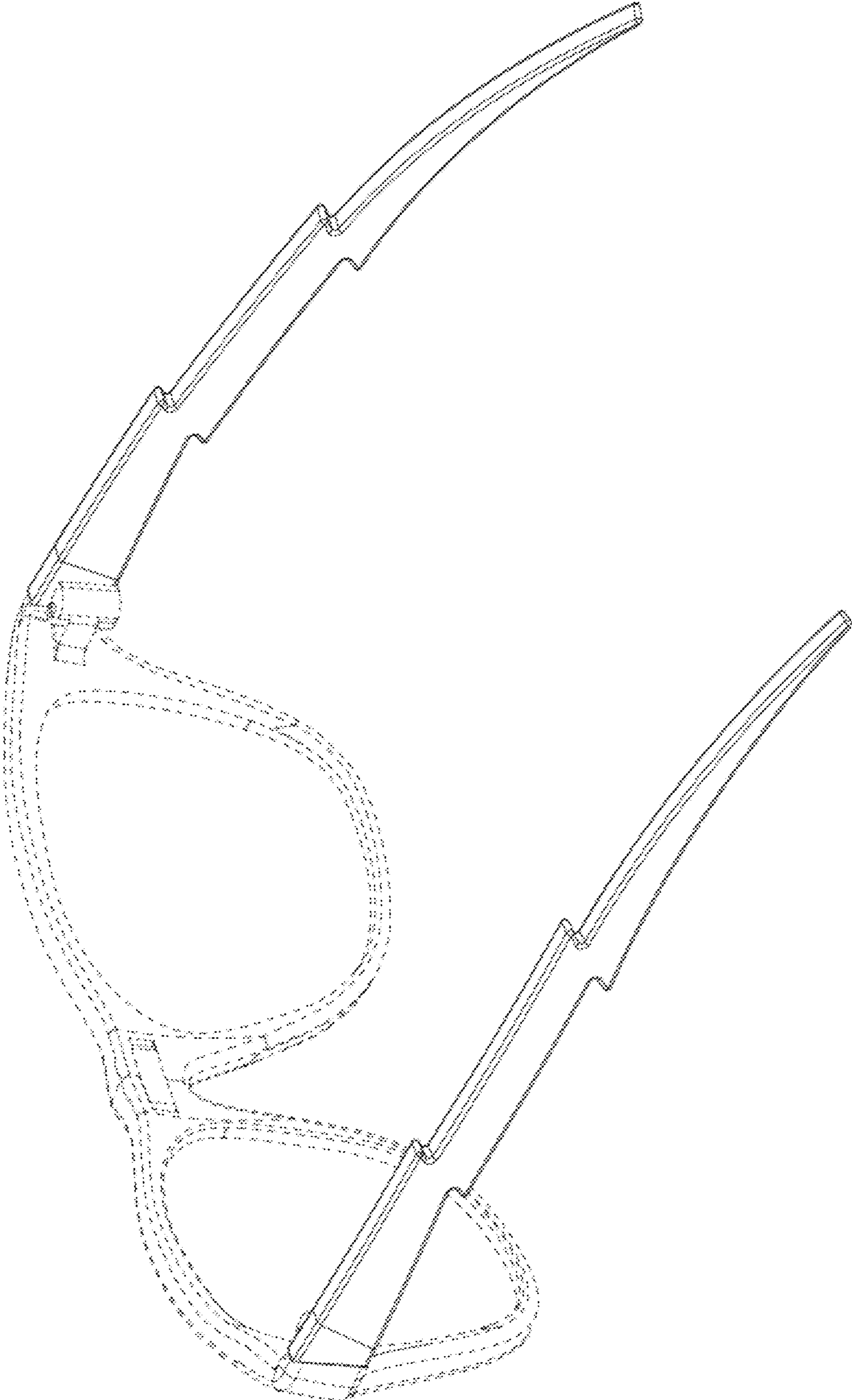


FIG. 1

FIG. 2

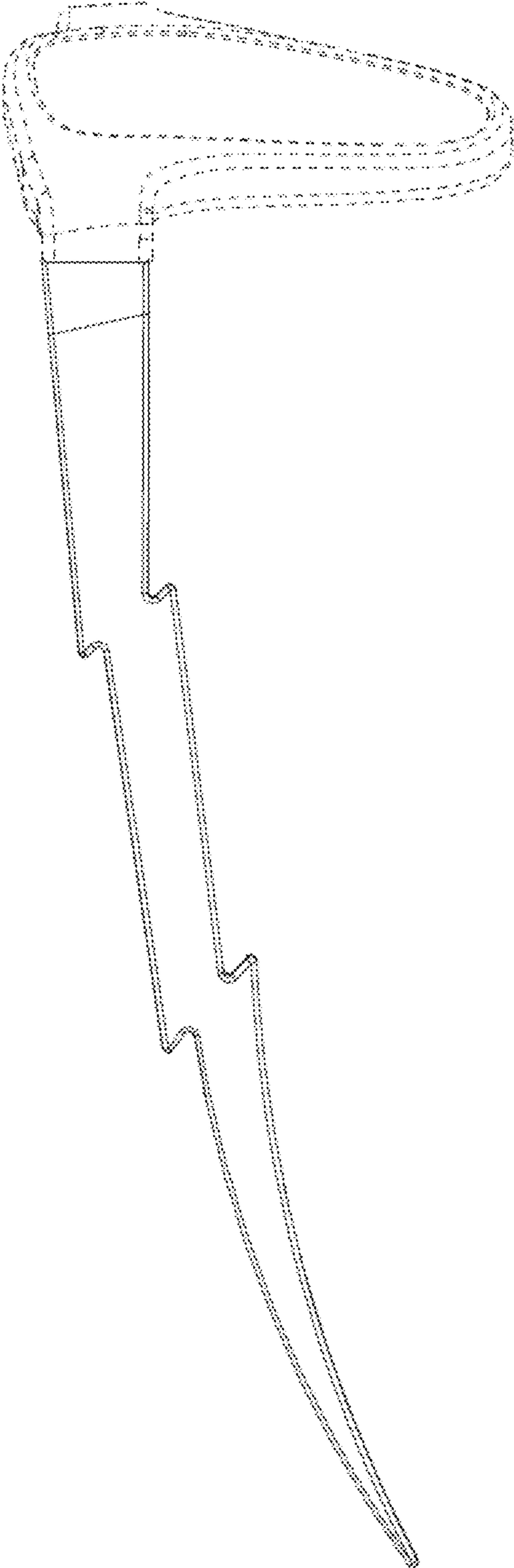
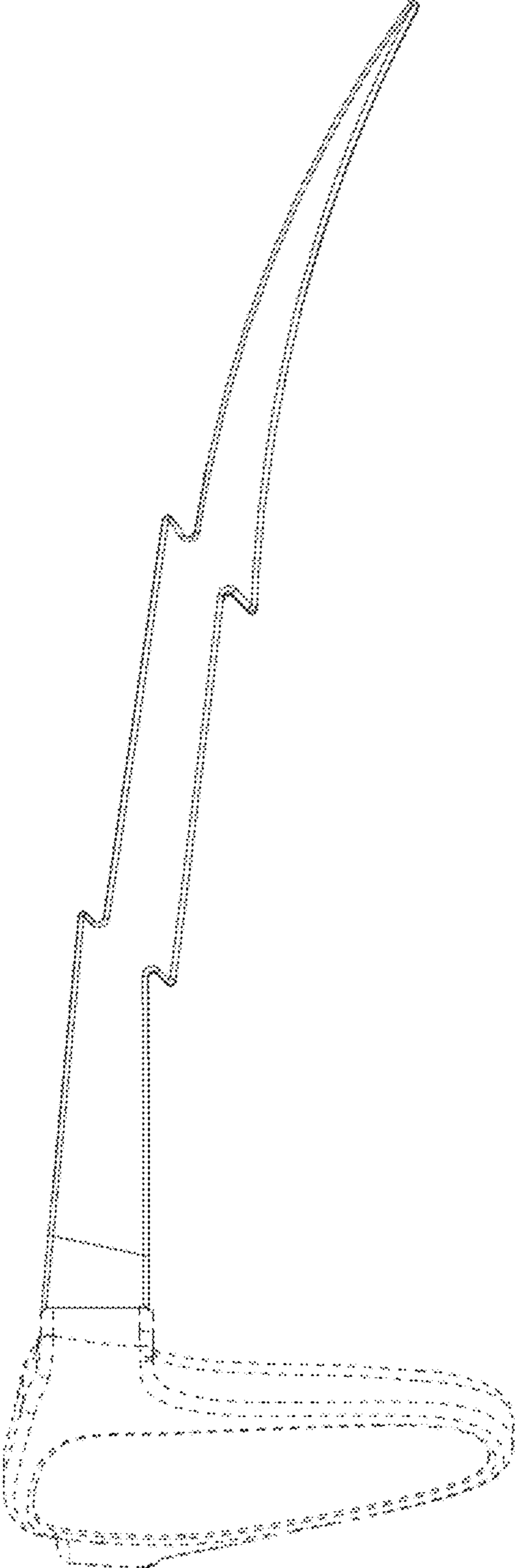


FIG. 3



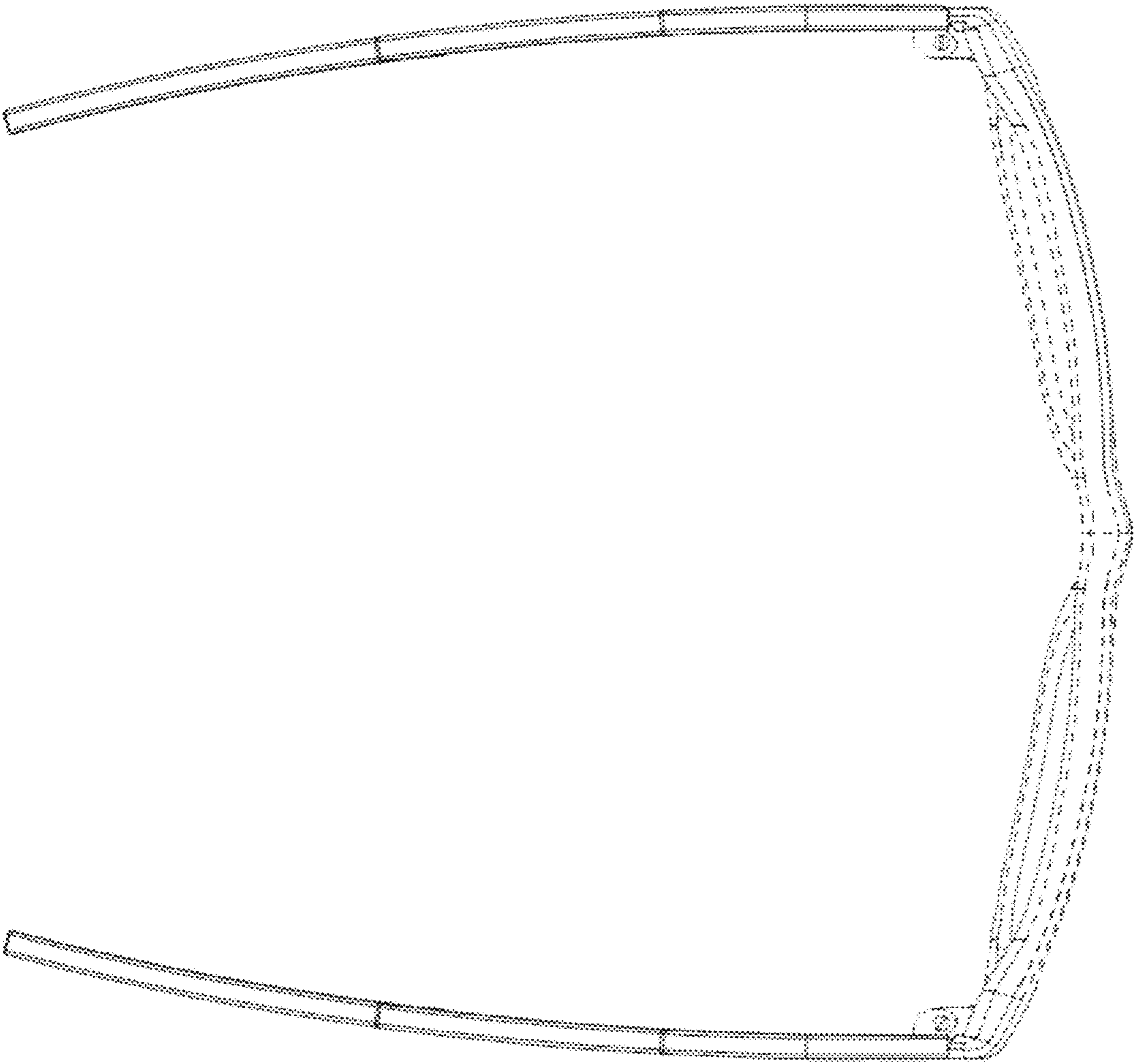


FIG. 4

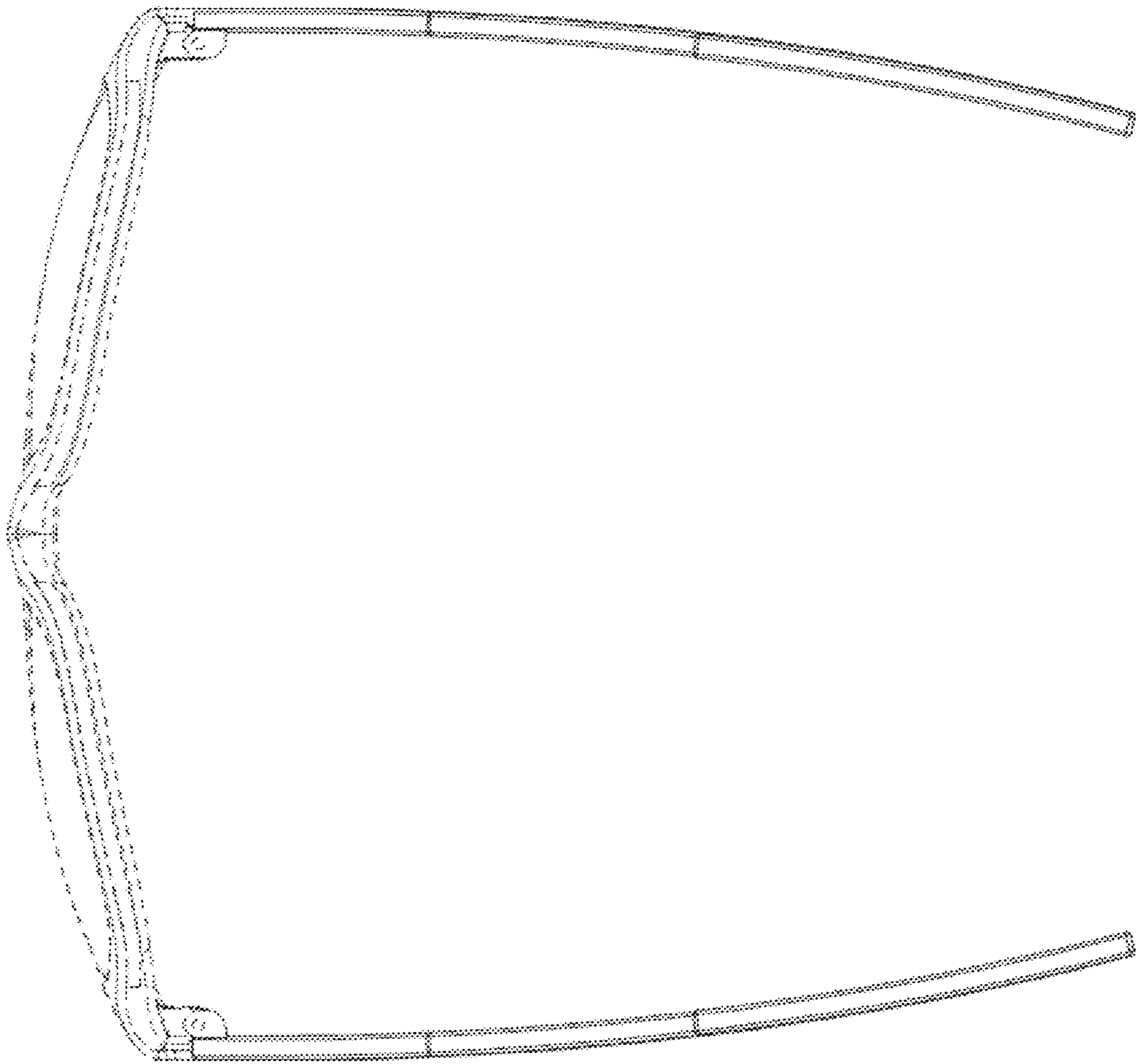


FIG. 5

FIG. 6

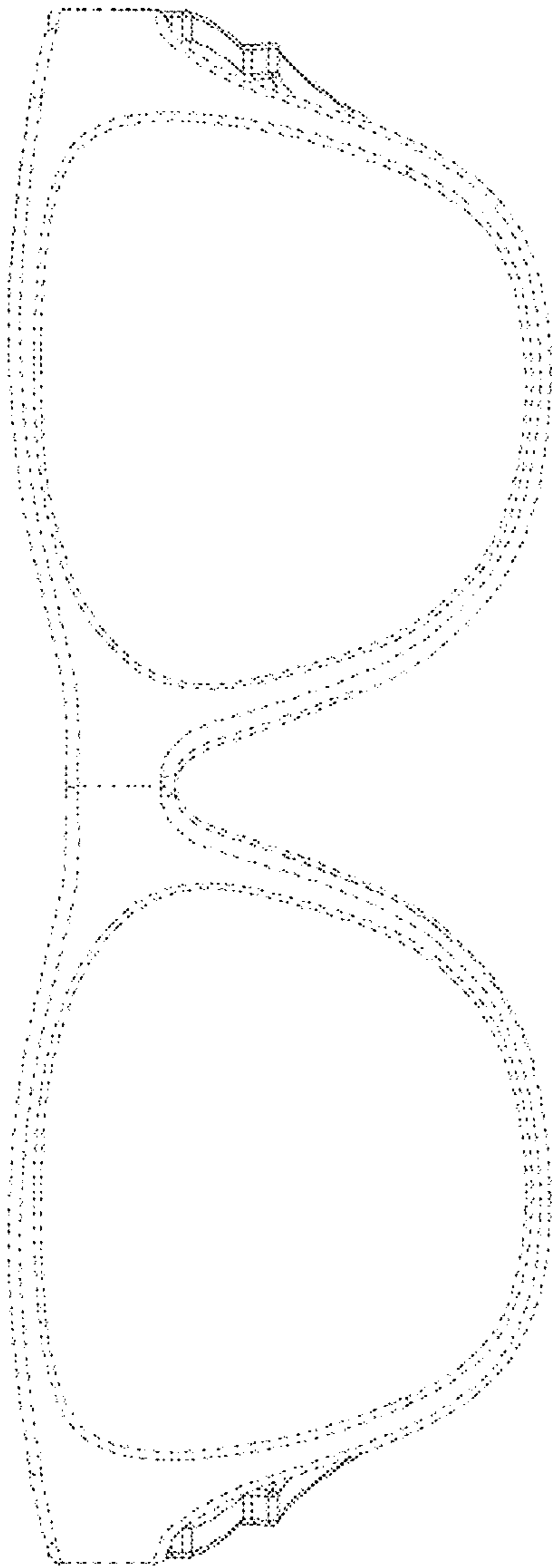


FIG. 7

