



US00D948598S

(12) **United States Design Patent** (10) **Patent No.:** **US D948,598 S**  
**Amoriello et al.** (45) **Date of Patent:** **\*\* Apr. 12, 2022**

(54) **GOGGLES**

(71) Applicant: **H&H Sports Protection S.r.l.**, Massa e Cozzile (IT)

(72) Inventors: **Tony Amoriello**, Buggiano (IT); **Massimiliano Frosi**, Soresina (IT)

(\*\*) Term: **15 Years**

(21) Appl. No.: **35/510,560**

(22) Filed: **Oct. 2, 2020**

(80) **Hague Agreement Data**

Int. Filing Date: **Oct. 2, 2020**

Int. Reg. No.: **DM/210677**

Int. Reg. Date: **Oct. 2, 2020**

Int. Reg. Pub. Date: **Oct. 16, 2020**

(51) **LOC (13) Cl.** ..... **16-06**

(52) **U.S. Cl.**  
USPC ..... **D16/313**

(58) **Field of Classification Search**  
 USPC ..... D16/101, 300, 303-304, 309-315,  
 D16/317-323, 325-340; D29/108, 109,  
 D29/110, 112  
 CPC . A63B 33/00; A63B 33/002; A63B 2033/004;  
 A63B 2033/006; A63B 2033/008; G02C  
 2200/08; G02C 2200/22; G02C 5/008;  
 G02C 5/14; G02C 5/16; G02C 5/146;  
 G02C 5/2254; G02C 1/06; G02C 11/02;  
 G02C 11/04; A61M 2021/0044; A61F  
 9/00; A61F 9/02

See application file for complete search history.

(56) **References Cited**

U.S. PATENT DOCUMENTS

D800,825	S	*	10/2017	Frosi	.....	D16/313
D805,576	S	*	12/2017	Garfias	.....	D16/312
D837,873	S	*	1/2019	Lussier	.....	D16/330
D862,570	S	*	10/2019	Frosi	.....	D16/313
D898,812	S	*	10/2020	Liang	.....	D16/312
10,948,746	B2	*	3/2021	Langenwalter	.....	G02C 3/003
D915,499	S	*	4/2021	Young	.....	D16/330
2015/0320600	A1	*	11/2015	Blanchard	.....	A61F 9/026 2/431
2018/0136484	A1	*	5/2018	Prugue	.....	G02C 5/008

\* cited by examiner

*Primary Examiner* — Michael A. Pratt

(74) *Attorney, Agent, or Firm* — Rothwell, Figg, Ernst & Manbeck, P.C.

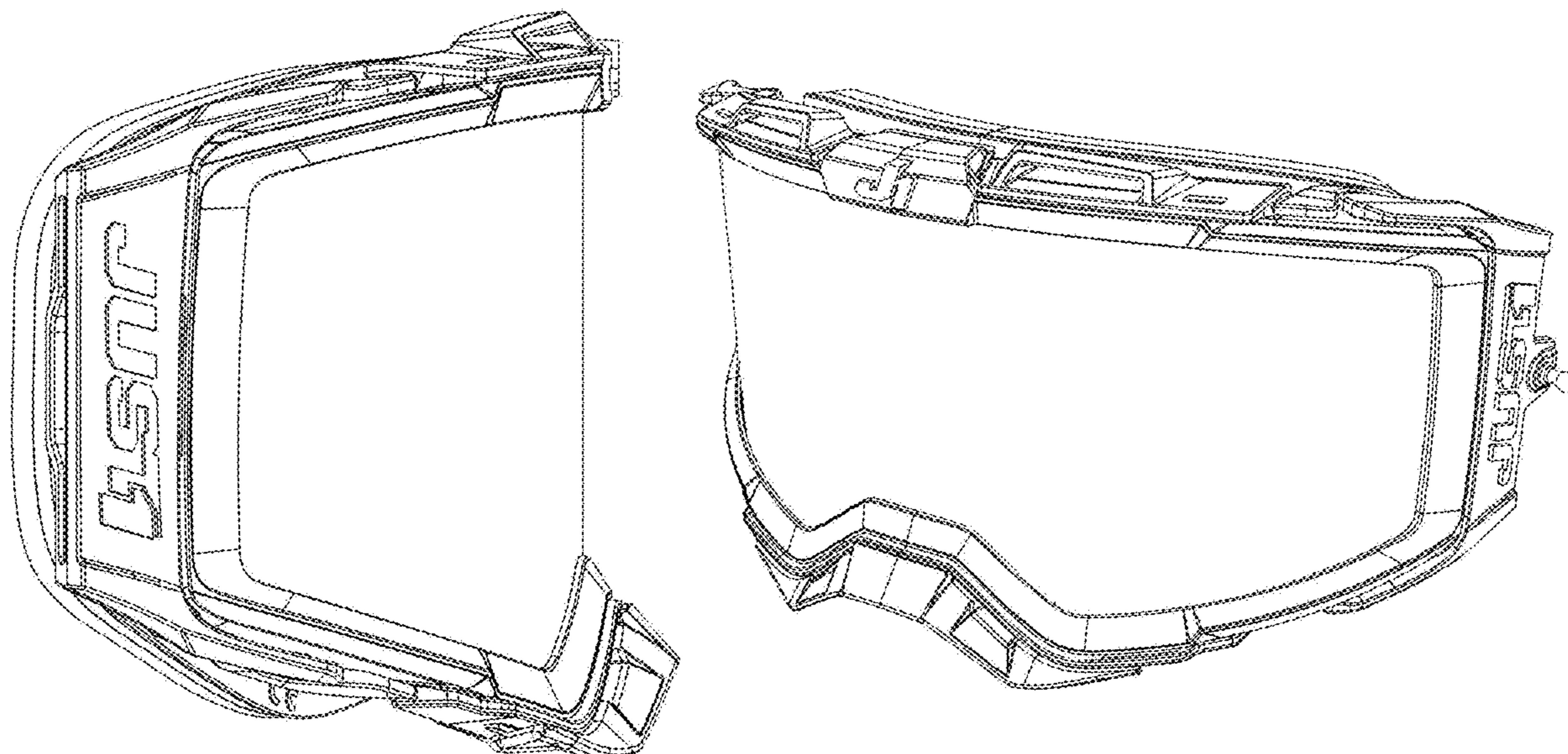
(57) **CLAIM**

The ornamental design for goggles, as shown and described.

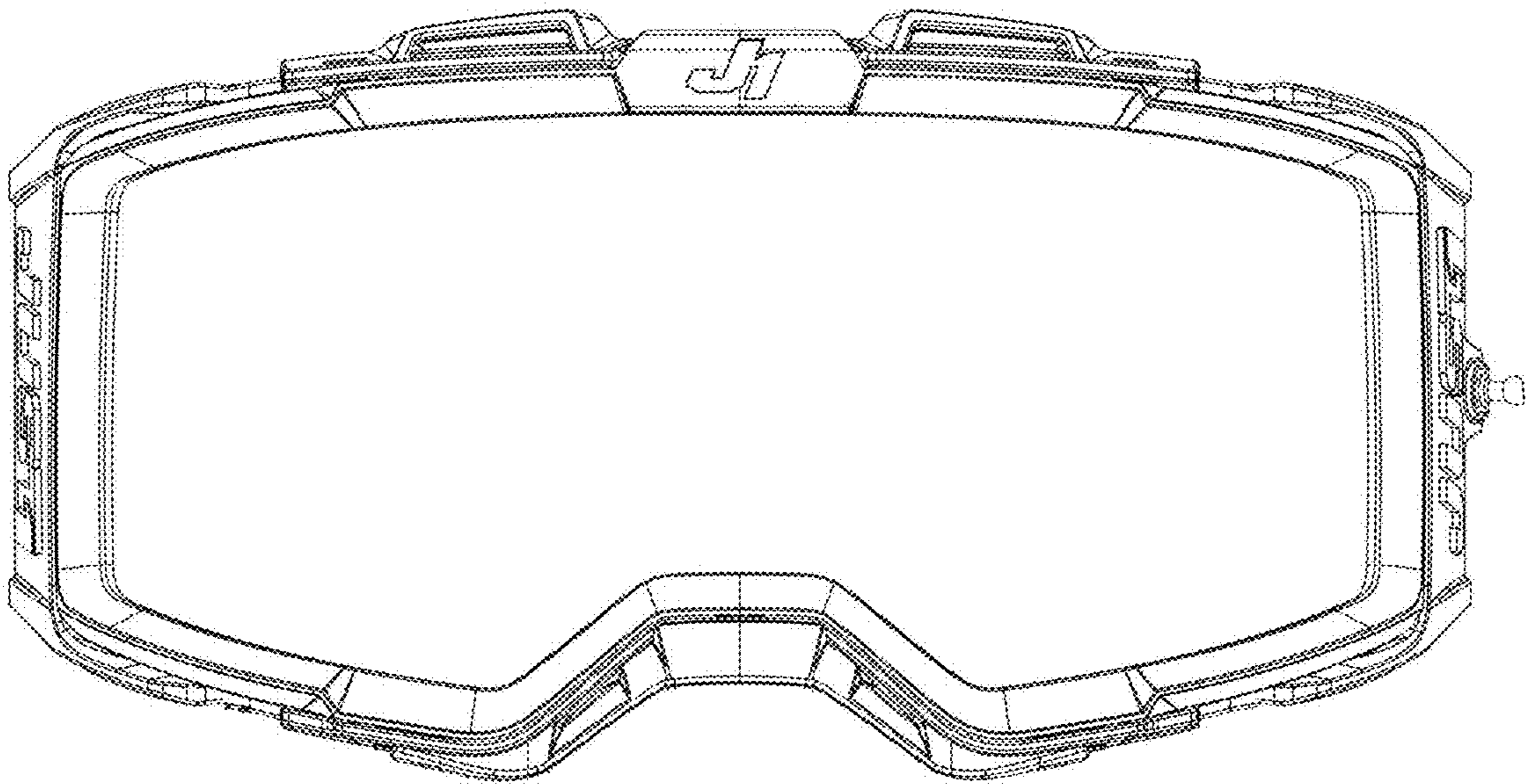
**DESCRIPTION**

- 1. Goggles
- 1.1 : Front
- 1.2 : Right
- 1.3 : Back
- 1.4 : Left
- 1.5 : Bottom
- 1.6 : Top
- 1.7 : Perspective

**1 Claim, 7 Drawing Sheets**

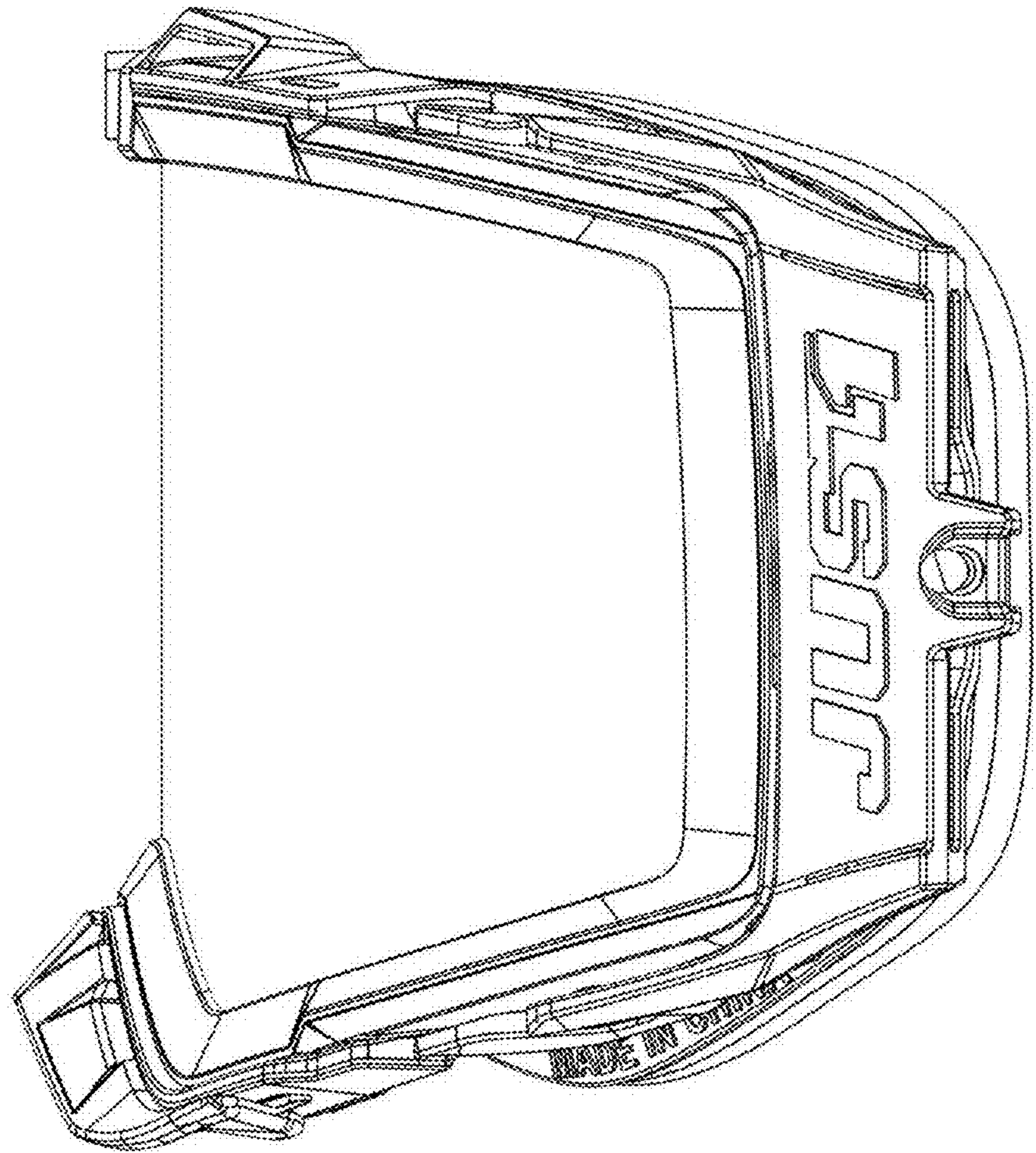


1.1

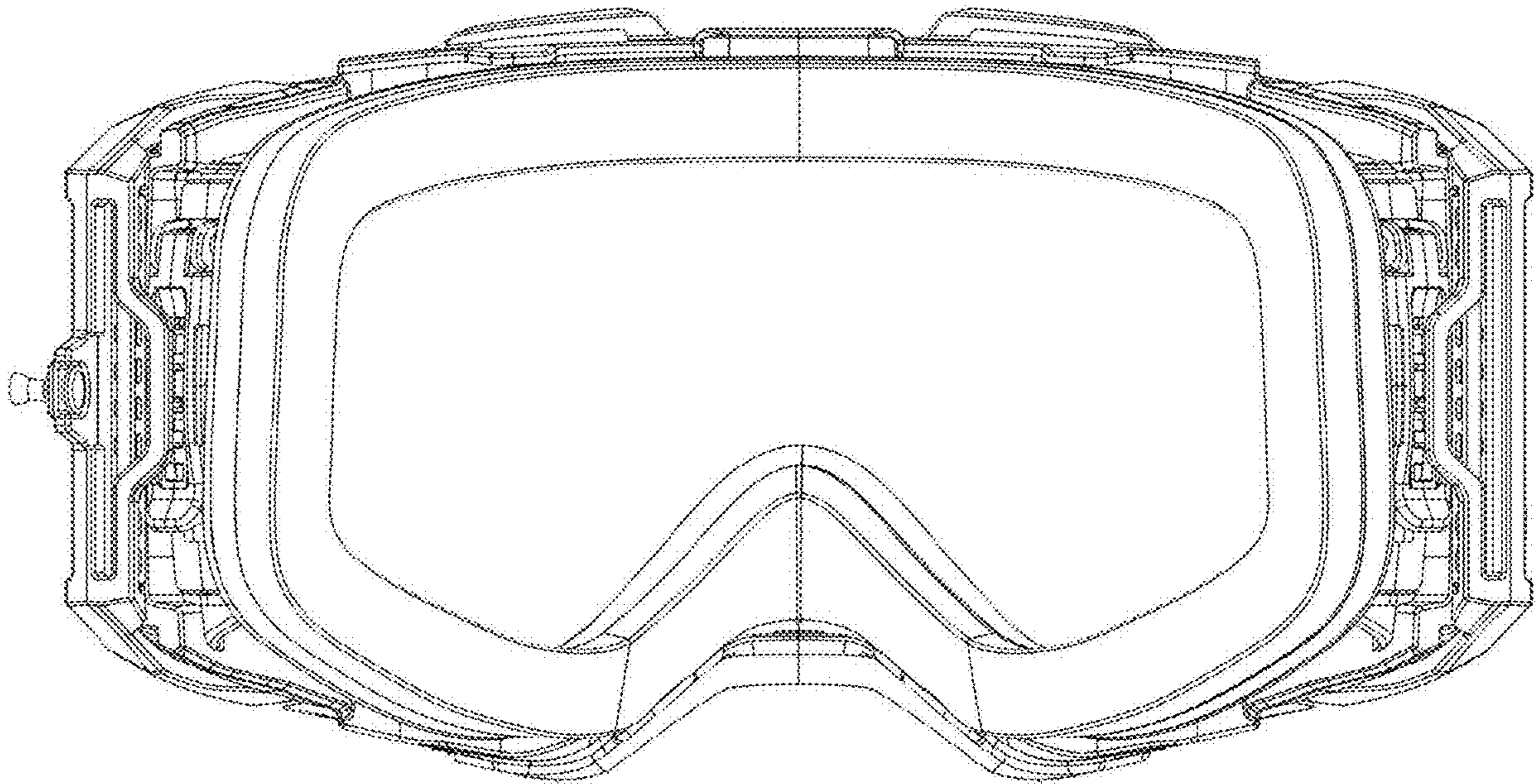




1.2

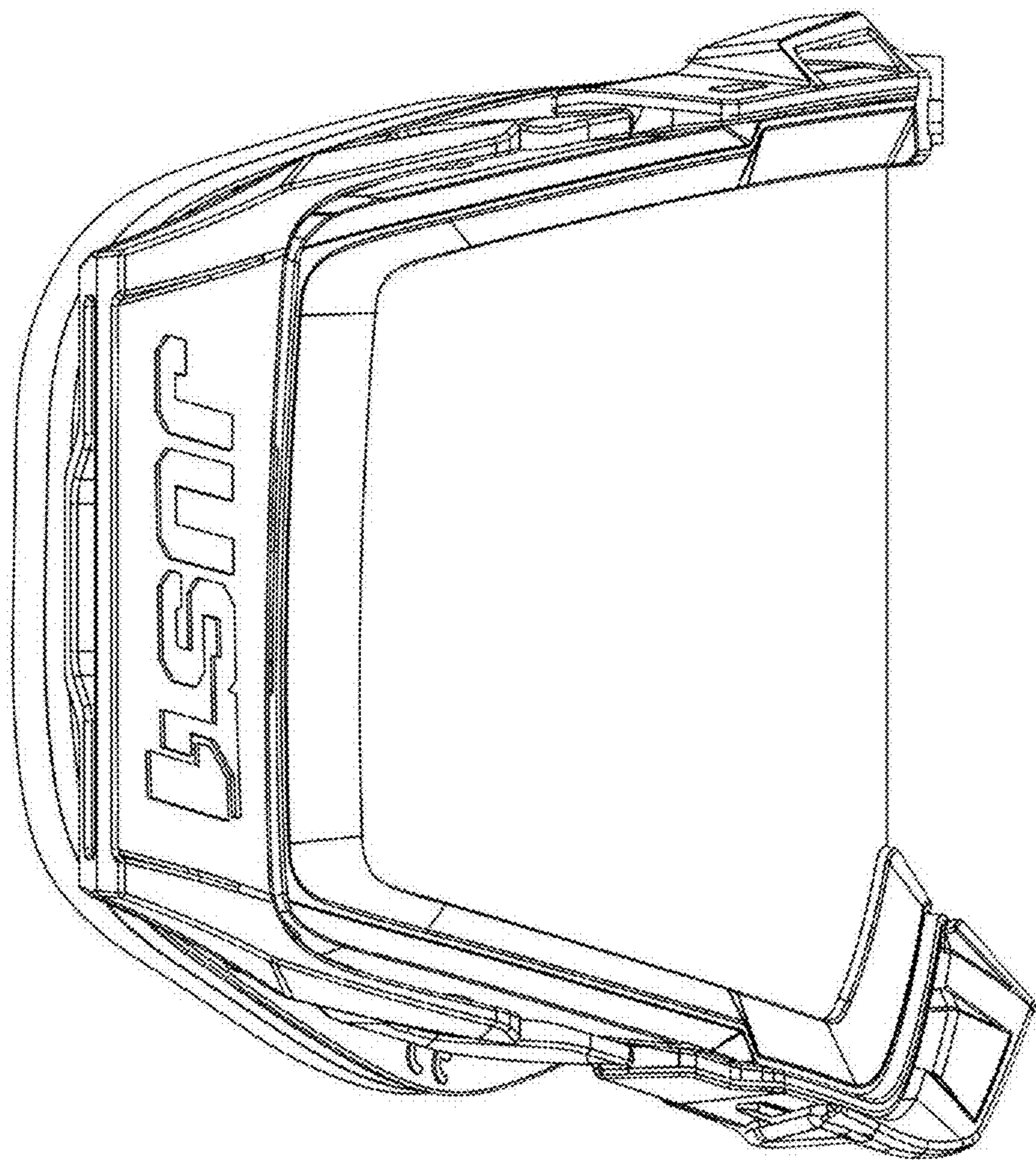


1.3

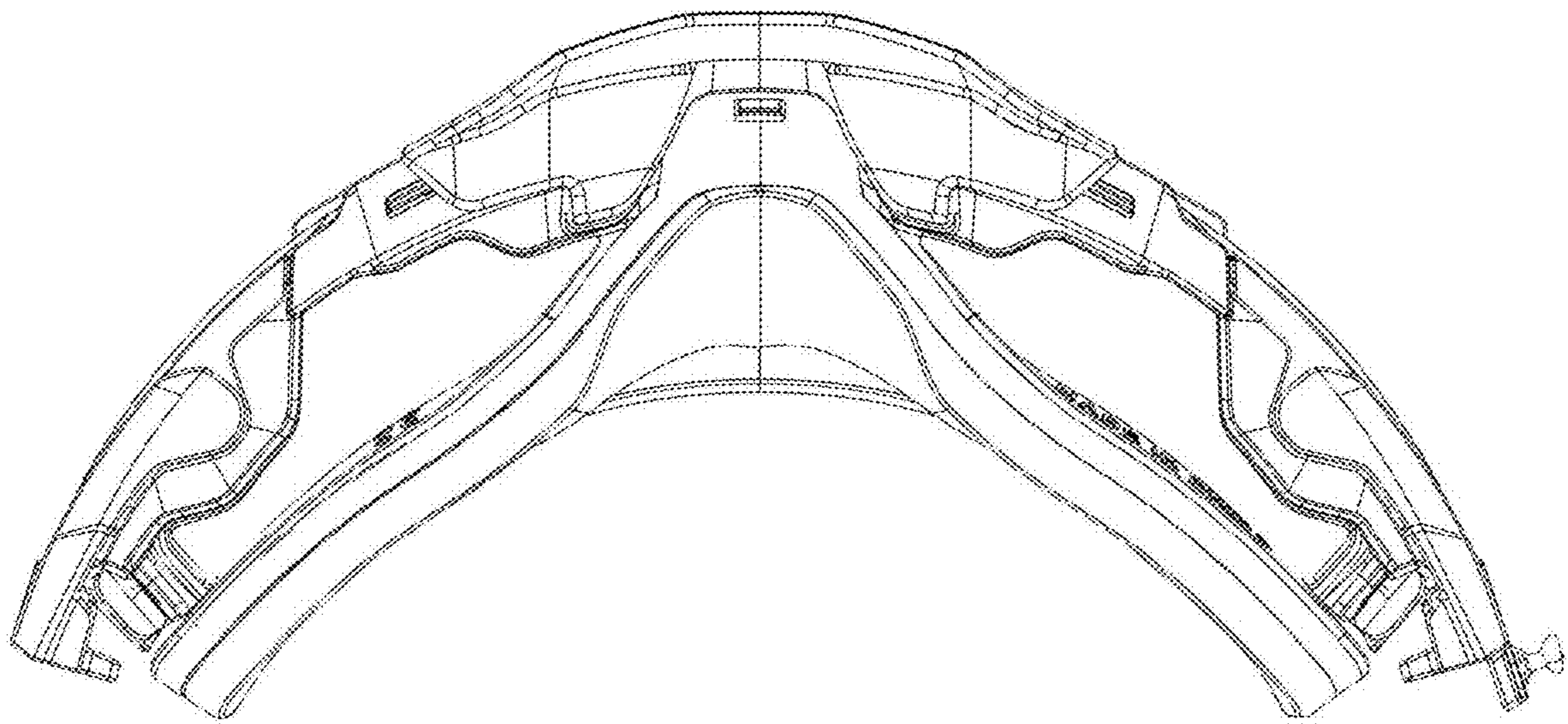




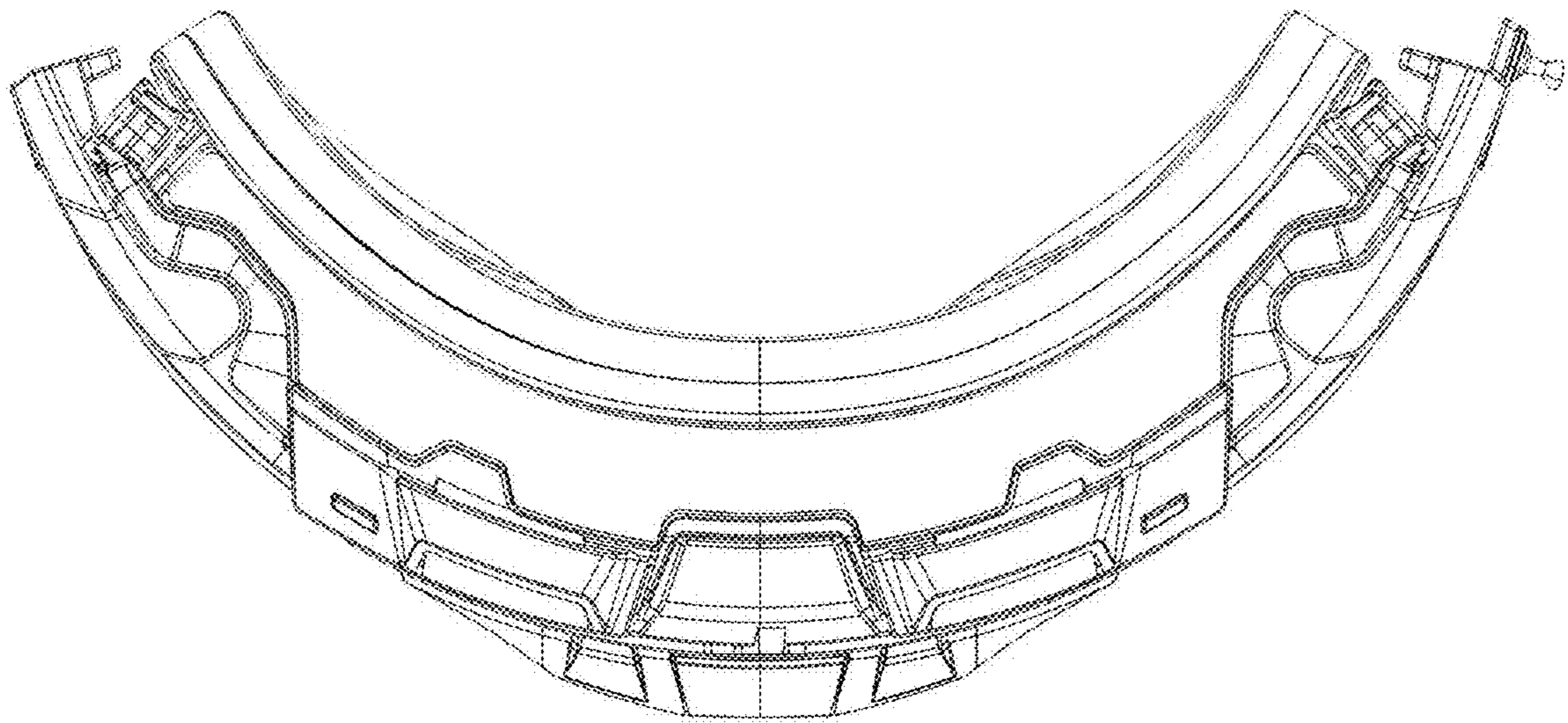
1.4



1.5



1.6





1.7

