



US00D948597S

(12) **United States Design Patent**  
**Grant et al.**

(10) **Patent No.: US D948,597 S**

(45) **Date of Patent: \*\* \*Apr. 12, 2022**

(54) **CAMERA MOUNT**

(71) Applicant: **Portable Multimedia Ltd.**, West End (GB)

(72) Inventors: **Robert Grant**, West End (GB);  
**Graham Lambert**, West End (GB);  
**Ceri Hill**, West End (GB)

(73) Assignee: **PORTABLE MULTIMEDIA LTD.**, West End (GB)

(\*) Notice: This patent is subject to a terminal disclaimer.

(\*\*) Term: **15 Years**

(21) Appl. No.: **29/694,119**

(22) Filed: **Jun. 7, 2019**

(30) **Foreign Application Priority Data**

Dec. 7, 2018 (GB) ..... 6049655

(51) **LOC (13) Cl.** ..... **16-05**

(52) **U.S. Cl.**  
USPC ..... **D16/242**

(58) **Field of Classification Search**  
USPC ..... D16/219, 237–250; D14/224, 229, 238,  
D14/251, 253, 447, 451, 457; D8/354,  
D8/355, 363, 373, 382–383, 394–396  
CPC ..... A45F 55/00; A45F 55/10; A45F  
2200/0508–0533; F16M 11/06–10; F16M  
11/14; G02B 7/00–002; G03B 17/56;  
G03B 17/561–566; H04N 5/2253–2254  
See application file for complete search history.

(56) **References Cited**

**U.S. PATENT DOCUMENTS**

D302,160 S \* 7/1989 Egashira ..... D14/238  
7,387,284 B2 \* 6/2008 Chang ..... F16C 11/106  
108/7

D592,206 S \* 5/2009 O'Brien ..... D12/415  
D681,029 S \* 4/2013 Richter ..... D14/253  
D746,889 S \* 1/2016 Moon ..... D16/203  
9,505,355 B1 \* 11/2016 Cho ..... F16M 11/14  
D799,469 S \* 10/2017 Esses ..... D14/253  
9,823,434 B2 \* 11/2017 Ranetkins ..... G02B 23/22  
D811,856 S \* 3/2018 Richter ..... D8/355  
10,267,454 B1 \* 4/2019 Ortiz ..... F16M 13/022

(Continued)

**OTHER PUBLICATIONS**

Scosche Nexar Suction Cup Mounting Camera—Black. [online]  
Retrieved Sep. 18, 2020 from URL: <https://www.picknsave.com/p/scosche-nexar-suction-cup-mounting-camera-black/0003399108062>.\*

(Continued)

*Primary Examiner* — Vy N Koenig

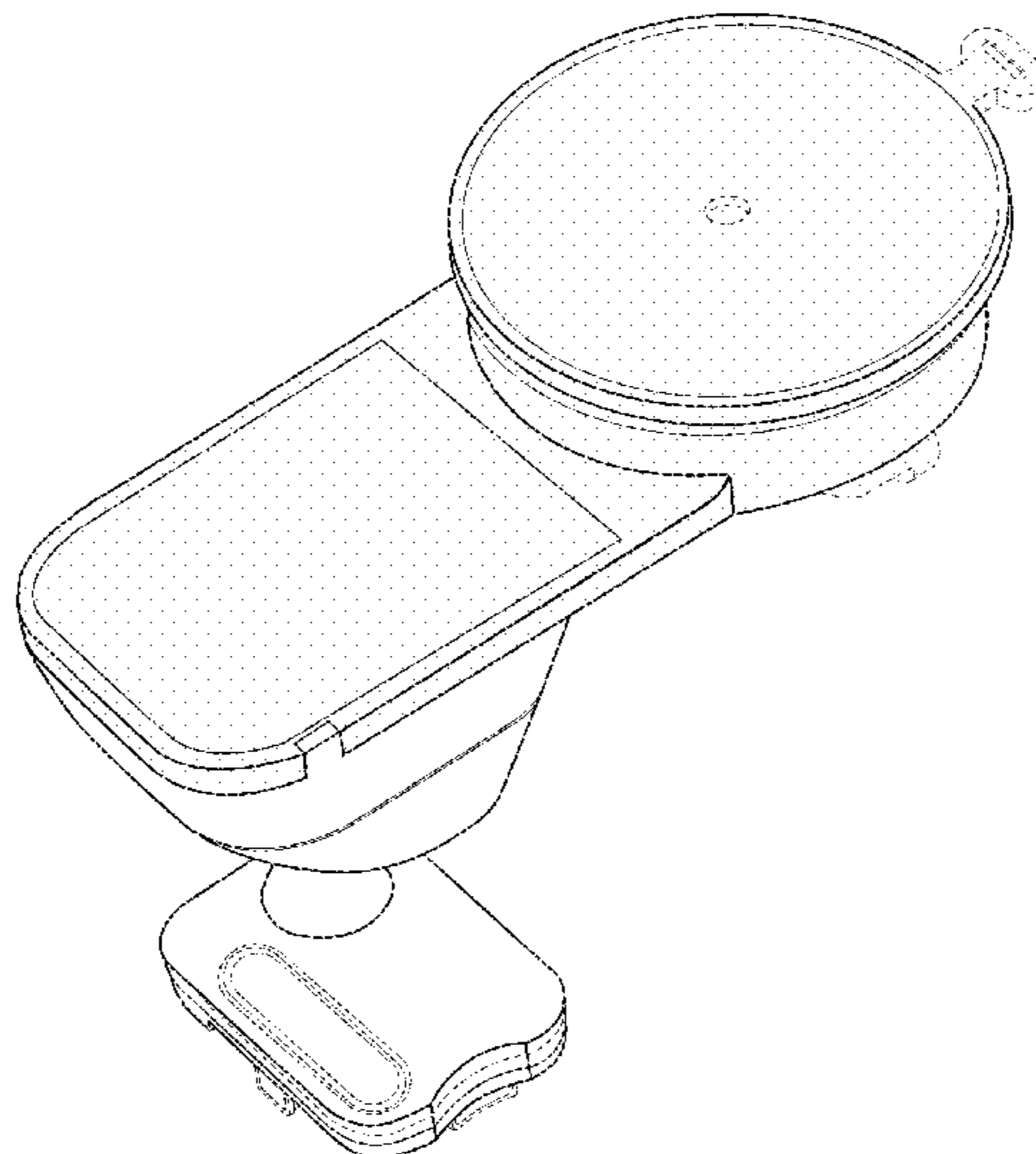
(57) **CLAIM**

The ornamental design for a camera mount, as shown and described.

**DESCRIPTION**

FIG. 1 is a right-side view of a camera mount, showing our new design;  
FIG. 2 is a front view of the camera mount illustrated in FIG. 1;  
FIG. 3 is a left-side view of the camera mount illustrated in FIG. 1;  
FIG. 4 is a rear view of the camera mount illustrated in FIG. 1;  
FIG. 5 is a bottom view of the camera mount illustrated in FIG. 1;  
FIG. 6 is a top view of the camera mount illustrated in FIG. 1; and,  
FIG. 7 is a perspective view of the camera mount illustrated in FIG. 1.  
Broken lines are directed to environment only and form no part of the claimed design.

**1 Claim, 7 Drawing Sheets**



(56)

**References Cited**

U.S. PATENT DOCUMENTS

D875,090 S \* 2/2020 Leeds-Frank ..... D14/253  
D881,896 S \* 4/2020 Burns ..... D14/447  
2011/0260022 A1\* 10/2011 Lin ..... F16M 11/2078  
248/205.5

OTHER PUBLICATIONS

U.S. Appl. No. 29/694,123; First inventor: Robert Grant; filed Jun. 7, 2019.

U.S. Appl. No. 29/694,104; First named inventor: Robert Grant; filed Jun. 7, 2020.

U.S. Appl. No. 29/694,108; First named inventor: Robert Grant; filed Jun. 7, 2020.

U.S. Appl. No. 29/694,109; First named inventor: Robert Grant; filed Jun. 7, 2020.

U.S. Appl. No. 29/694,115; First named inventor: Robert Grant; filed Jun. 7, 2020.

U.S. Appl. No. 29/694,123; First named inventor: Robert Grant; filed Jun. 7, 2020.

\* cited by examiner

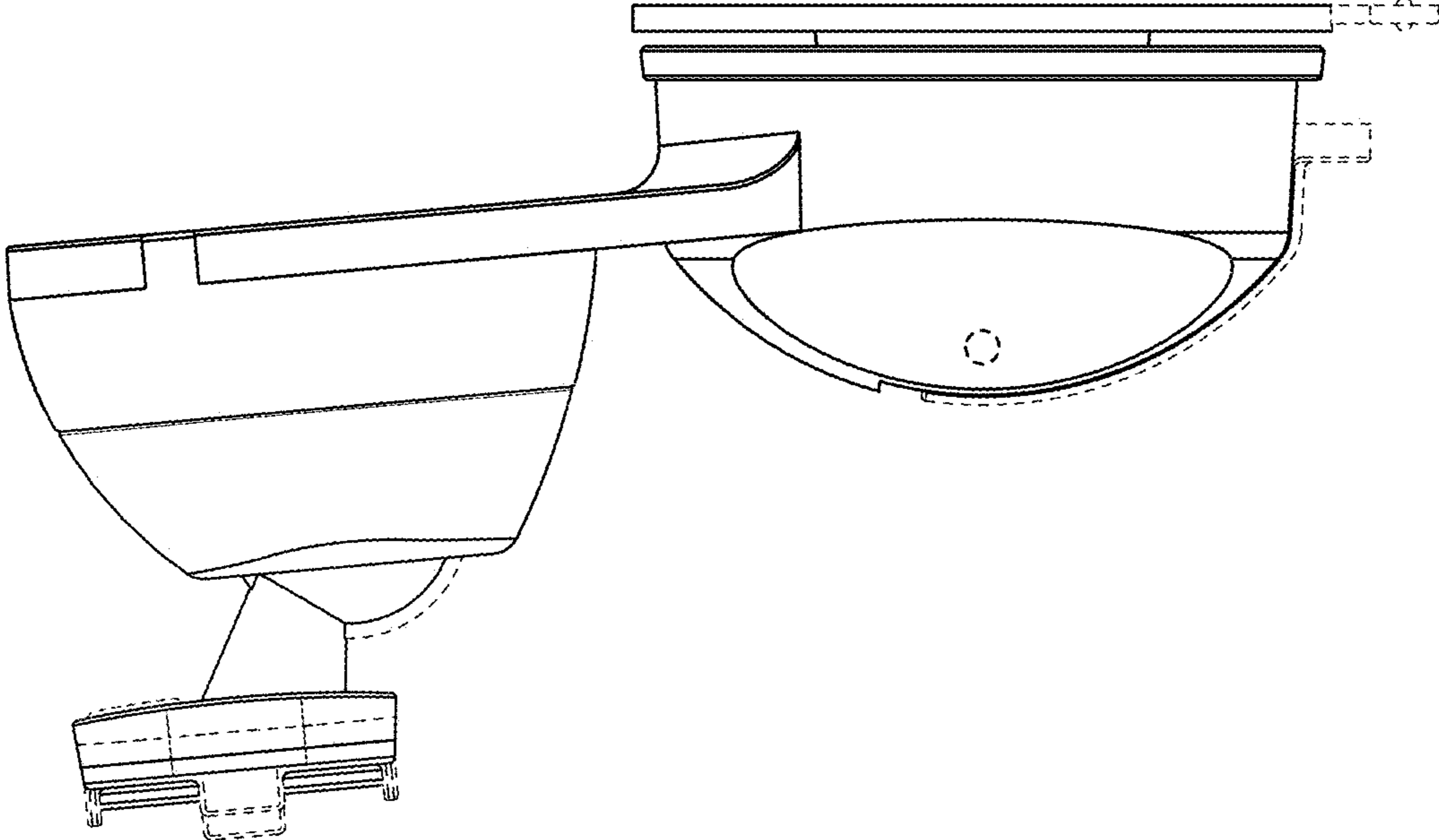


FIG. 1

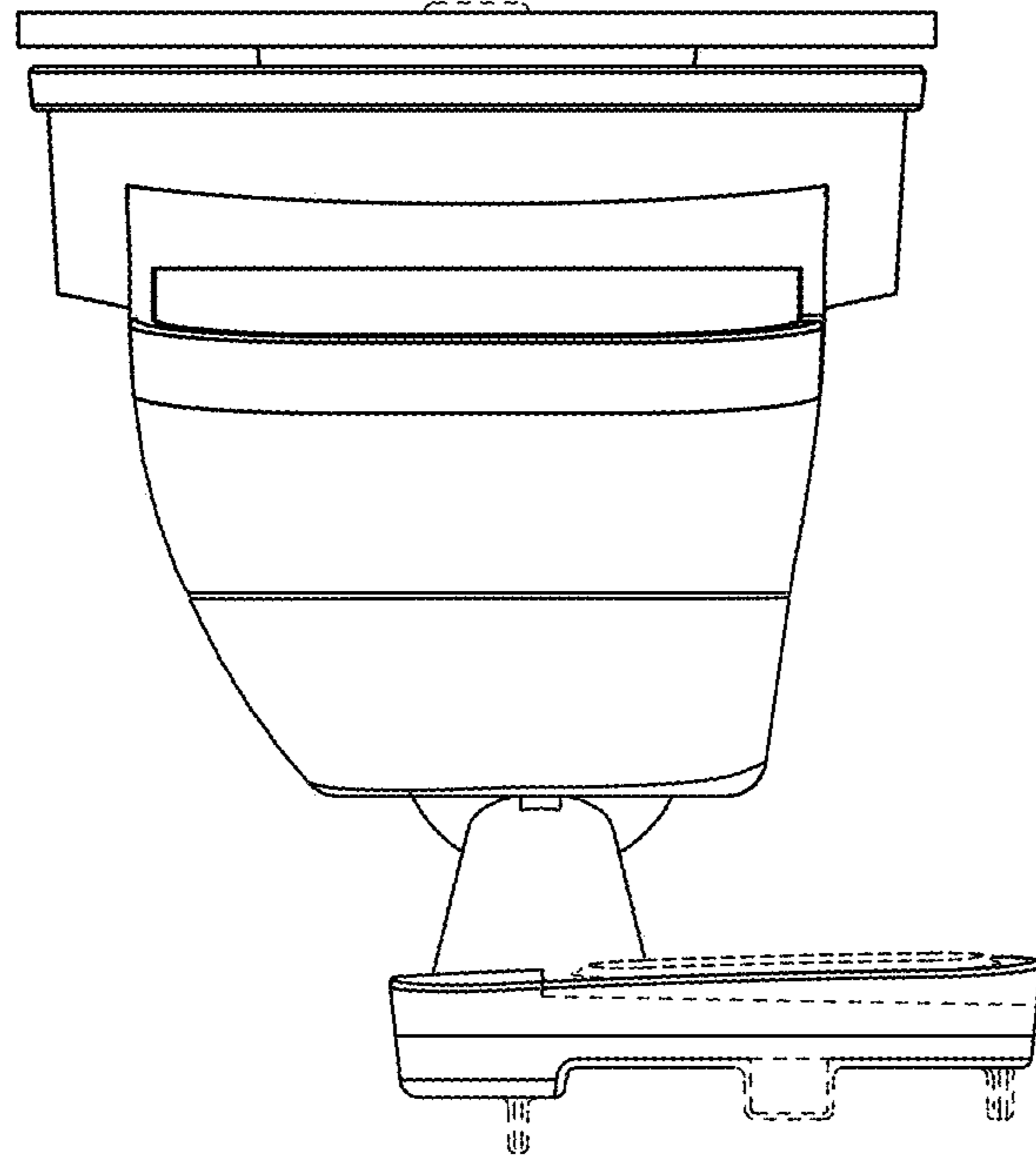


FIG. 2

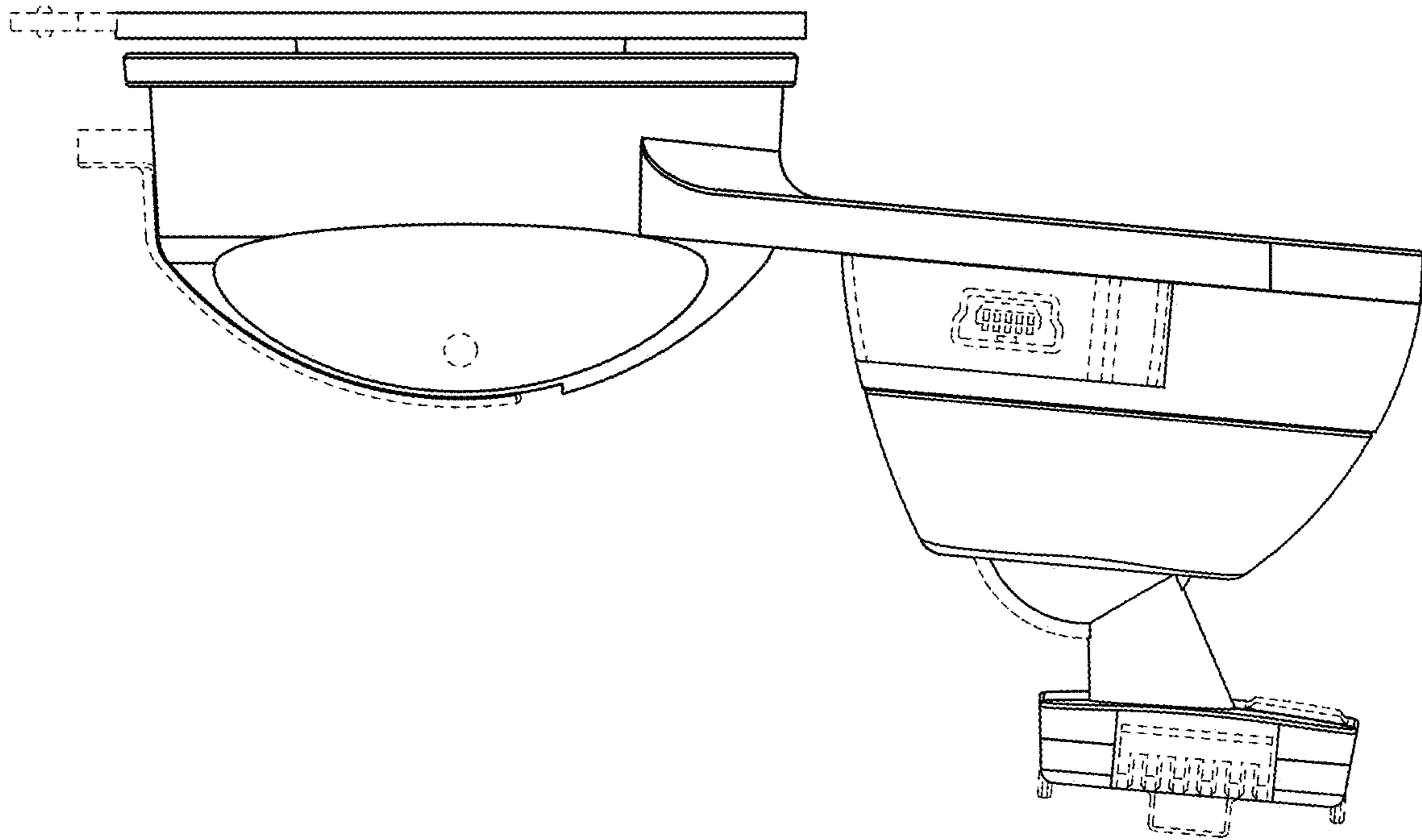


FIG. 3

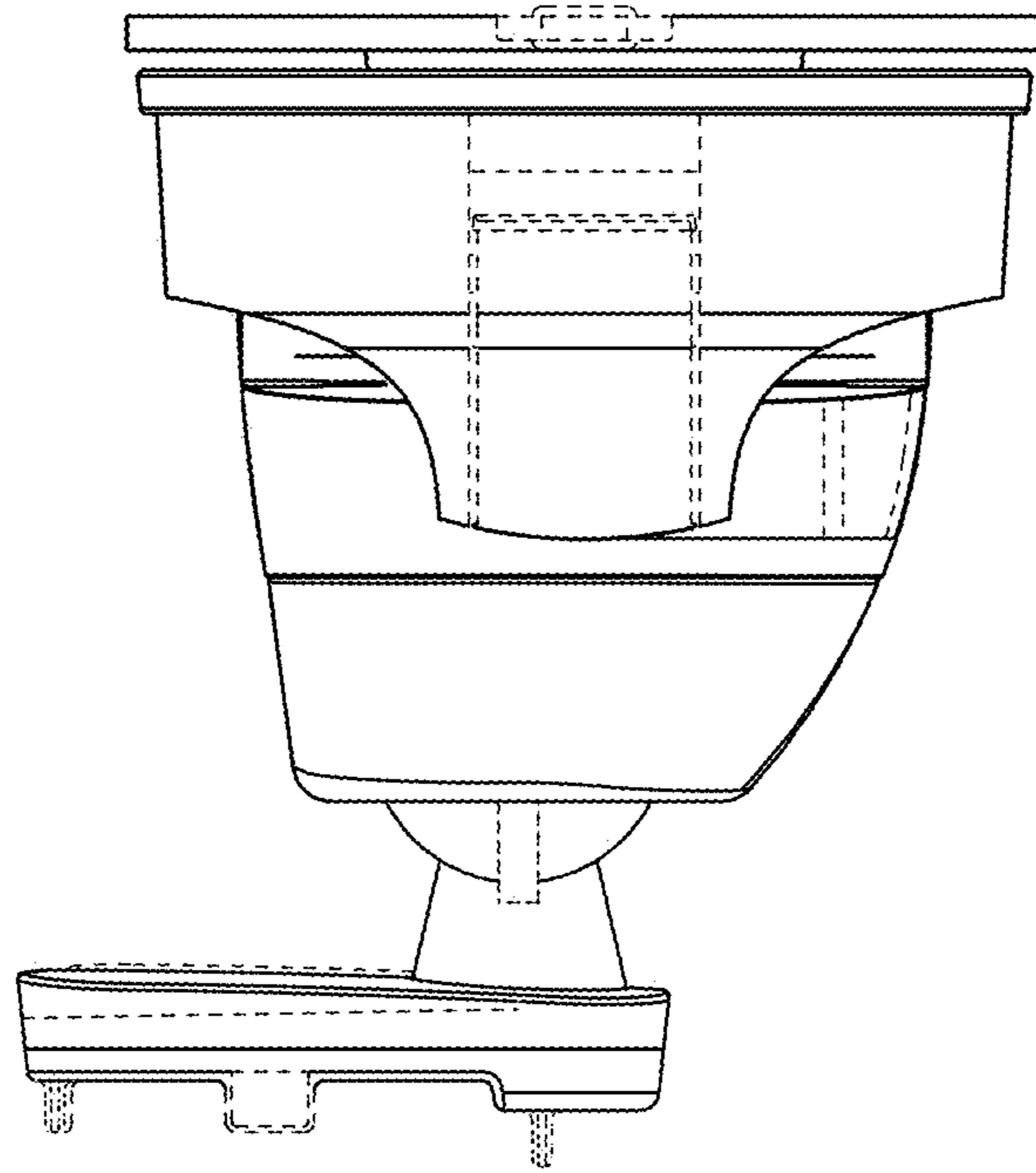


FIG. 4

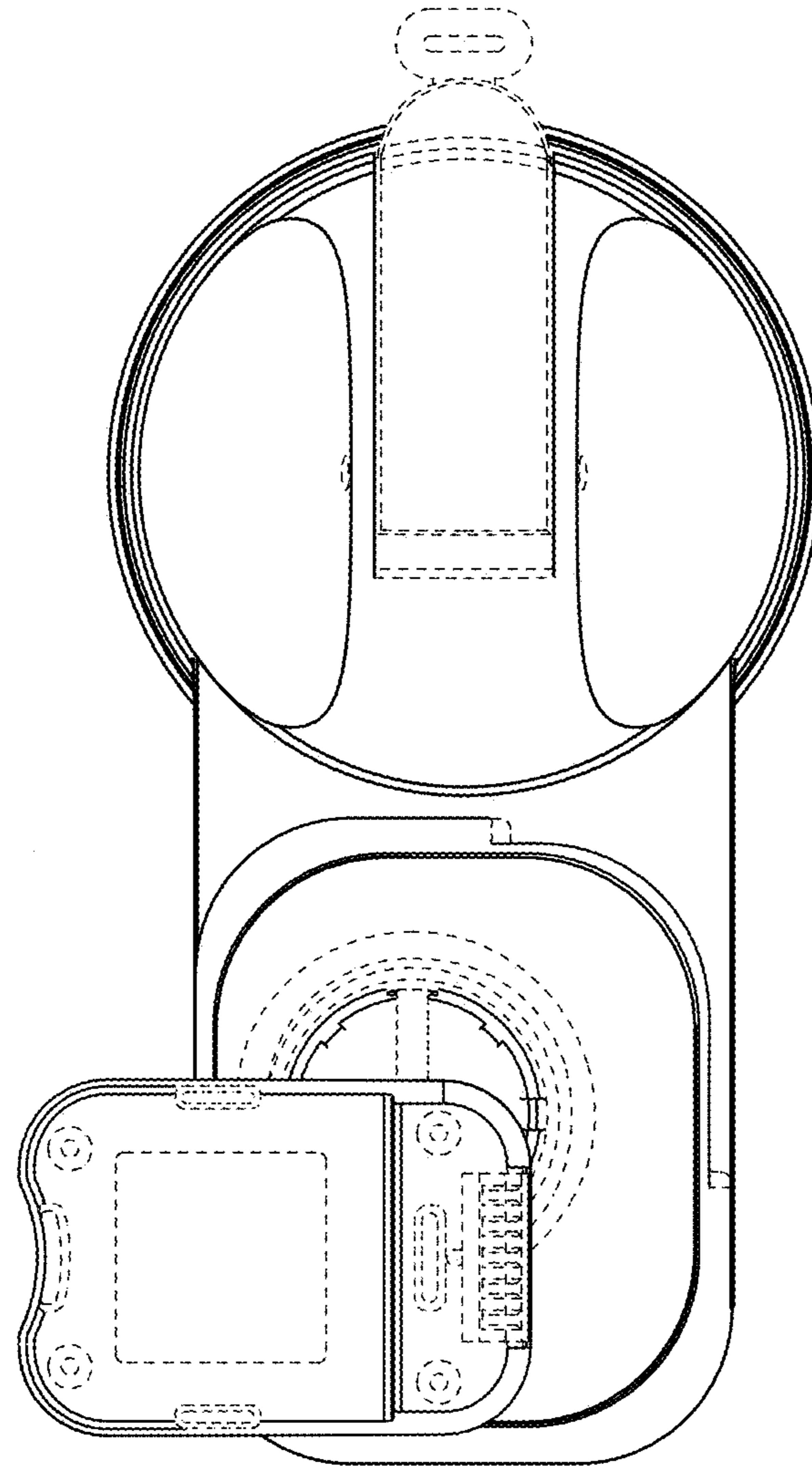


FIG. 5

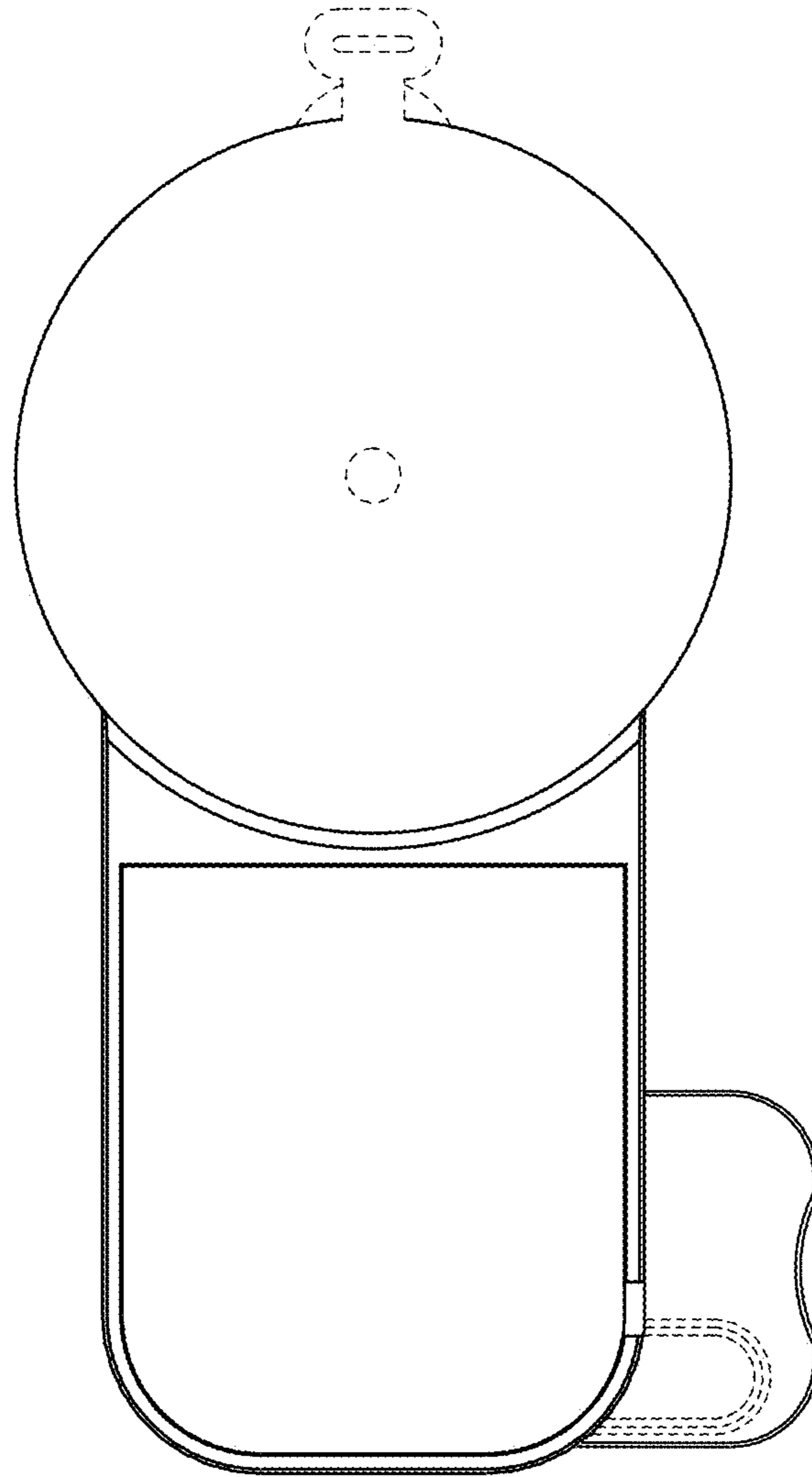


FIG. 6



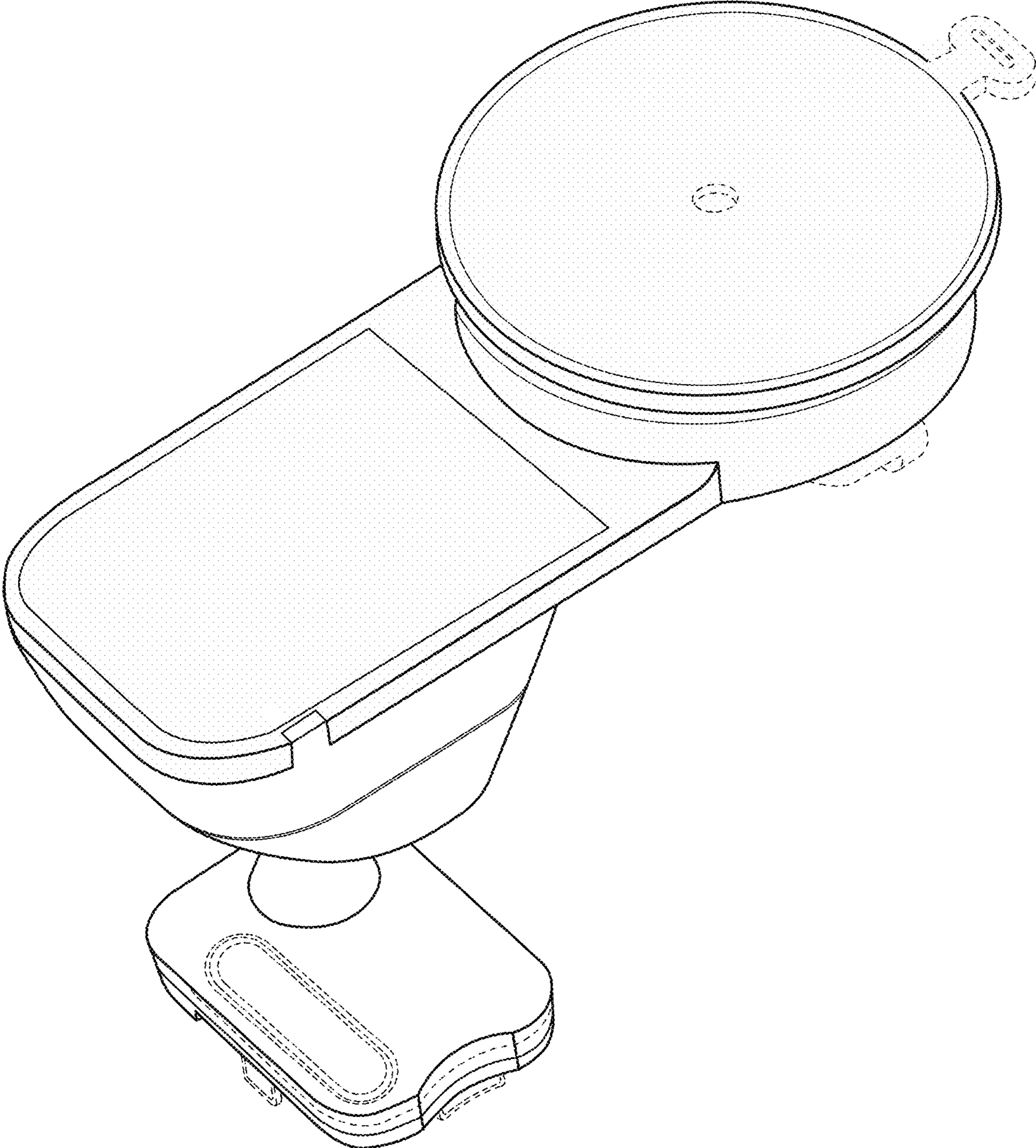


FIG. 7