



US00D948596S

(12) **United States Design Patent**  
**Deng et al.**

(10) **Patent No.:** **US D948,596 S**

(45) **Date of Patent:** **\*\* Apr. 12, 2022**

(54) **PROJECTOR**

(71) Applicant: **Shenzhen Shadow Crown Technology Co., Ltd**, Guangdong (CN)

(72) Inventors: **Feiyue Deng**, Guangdong (CN); **Qiang Yu**, Guangdong (CN)

(73) Assignee: **Shenzhen Shadow Crown Technology Co., Ltd**, Shenzhen (CN)

(\*\*) Term: **15 Years**

(21) Appl. No.: **29/758,410**

(22) Filed: **Nov. 16, 2020**

(30) **Foreign Application Priority Data**

Oct. 30, 2020 (CN) ..... 202030652974.4

(51) **LOC (13) Cl.** ..... **16-02**

(52) **U.S. Cl.**  
USPC ..... **D16/230**

(58) **Field of Classification Search**  
USPC ..... D16/221, 225, 230-231, 234; D21/514  
CPC ..... G03B 21/145; G03B 21/14; G03B 21/16;  
G03B 21/00; G03B 21/001; G03B 21/003  
See application file for complete search history.

(56) **References Cited**

U.S. PATENT DOCUMENTS

D331,768 S \* 12/1992 Saeki ..... D16/225  
D454,360 S \* 3/2002 Shimizu ..... D16/230

D473,253 S \* 4/2003 Shimamoto ..... D16/225  
D550,268 S \* 9/2007 Naruki ..... D16/221  
D566,160 S \* 4/2008 Shimamoto ..... D16/225  
D666,661 S \* 9/2012 Hong ..... D16/230  
D669,521 S \* 10/2012 Lin ..... D16/230  
D691,189 S \* 10/2013 Zhao ..... D16/230  
D939,615 S \* 12/2021 Wu ..... D16/230

\* cited by examiner

*Primary Examiner* — Wan Laymon

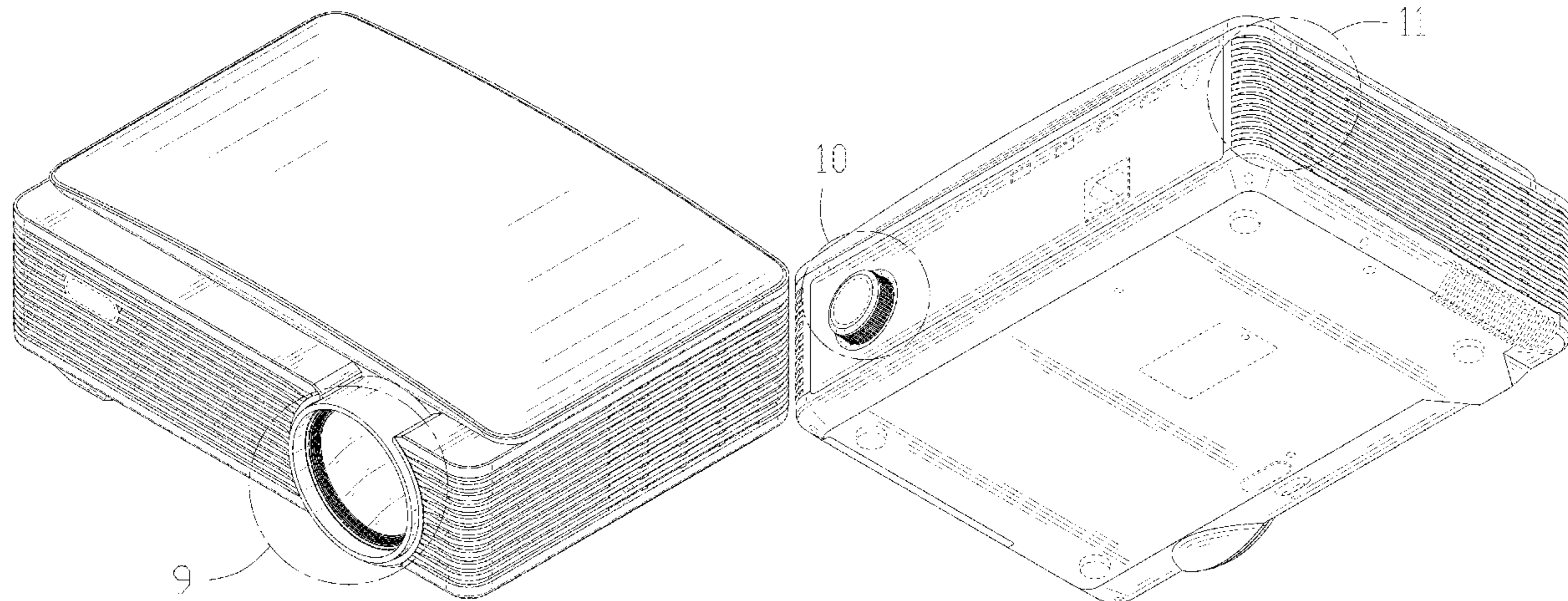
(57) **CLAIM**

The ornamental design for a projector, as shown and described.

**DESCRIPTION**

FIG. 1 is a top, front and right side perspective view of a projector showing our new design;  
FIG. 2 is a bottom, rear and left side perspective view thereof;  
FIG. 3 is a front elevational view thereof;  
FIG. 4 is a rear elevational view thereof;  
FIG. 5 is a left side view thereof;  
FIG. 6 is a right side view thereof;  
FIG. 7 is a top plan view thereof;  
FIG. 8 is a bottom plan view thereof;  
FIG. 9 is an enlarged view of portion 9 in FIG. 1;  
FIG. 10 is an enlarged view of portion 10 in FIG. 2; and,  
FIG. 11 is an enlarged view of portion 11 in FIG. 2.  
The broken lines in the drawings illustrate portions of the projector which form no part of the claimed design.  
The oblique shade lines in the drawings represent reflective surfaces.

**1 Claim, 11 Drawing Sheets**



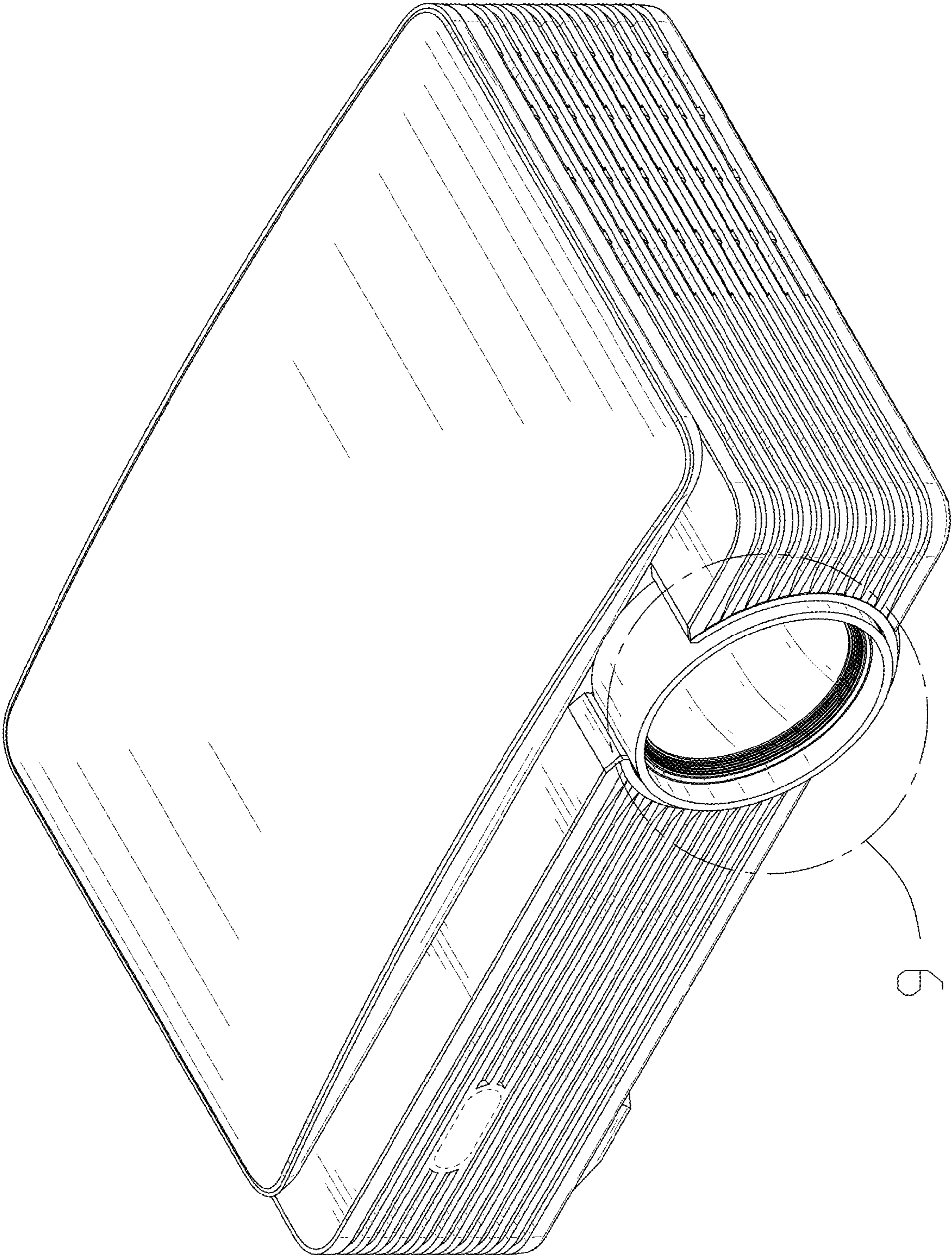


FIG. 1

9

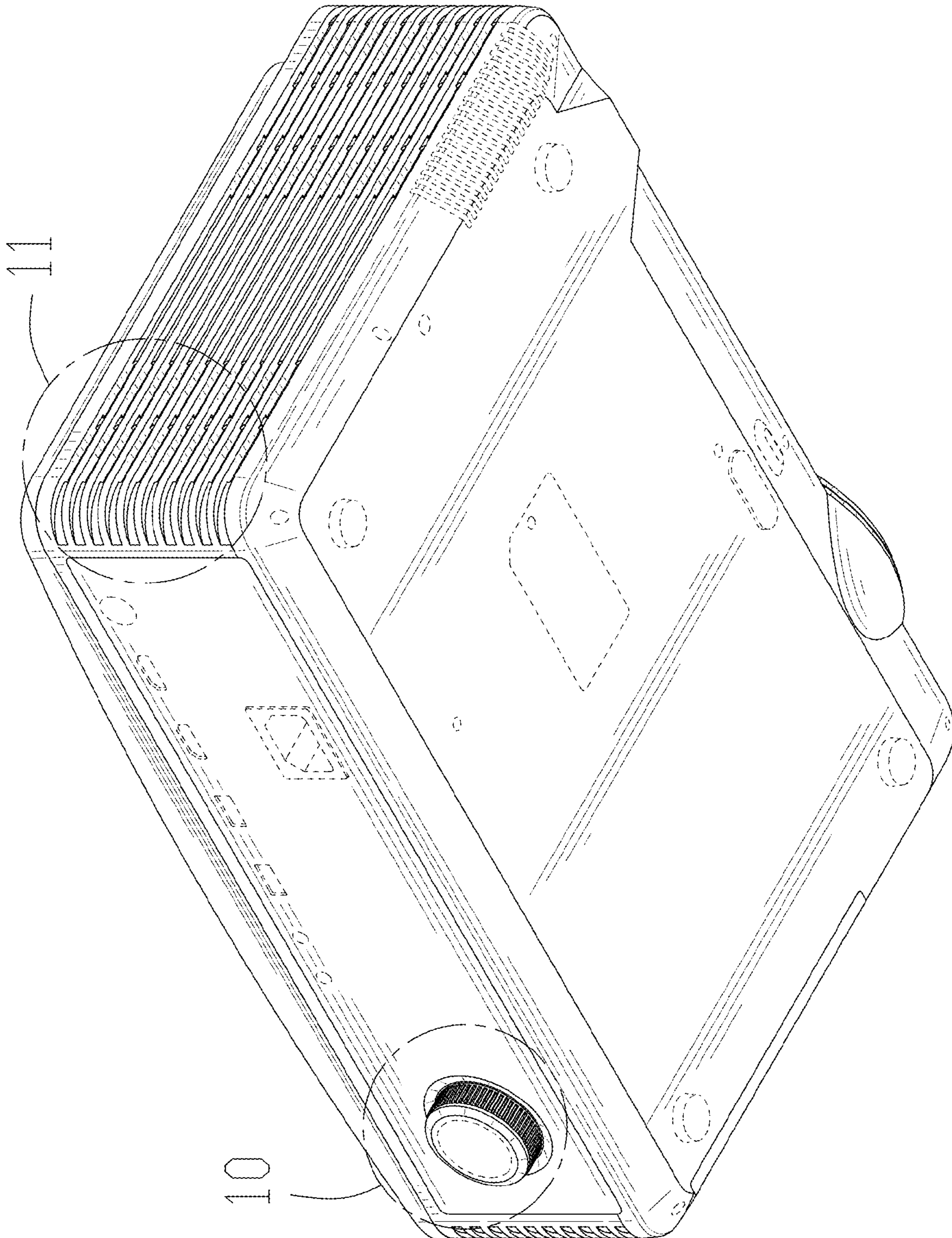


FIG. 2

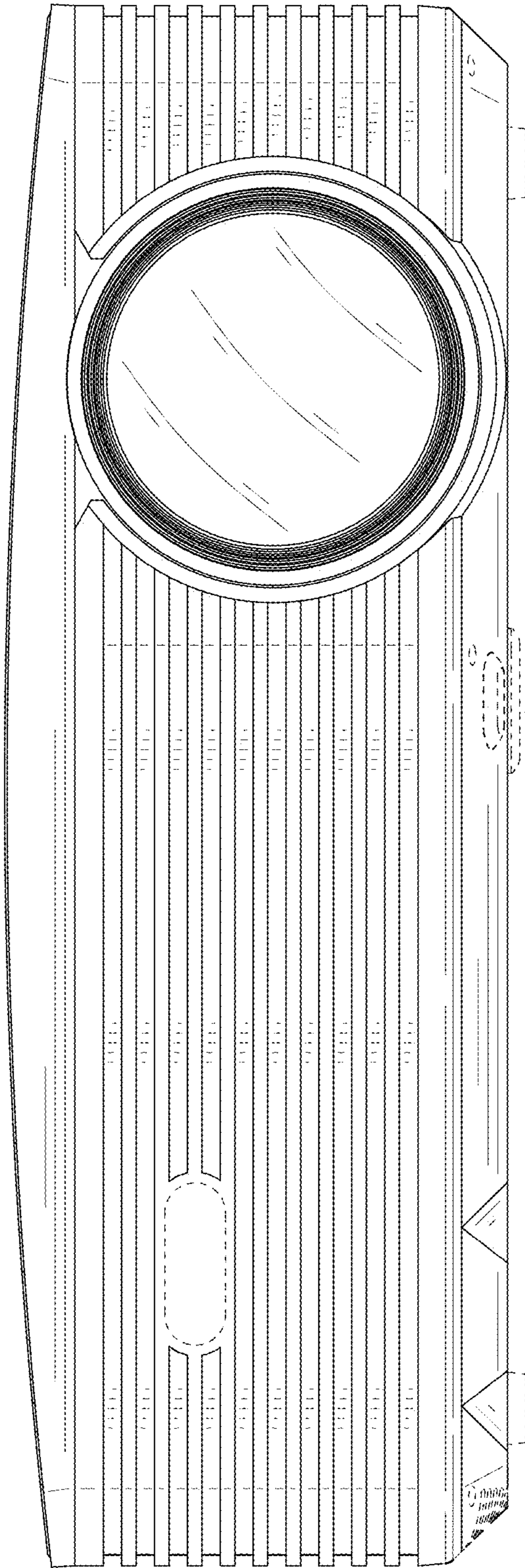


FIG. 3

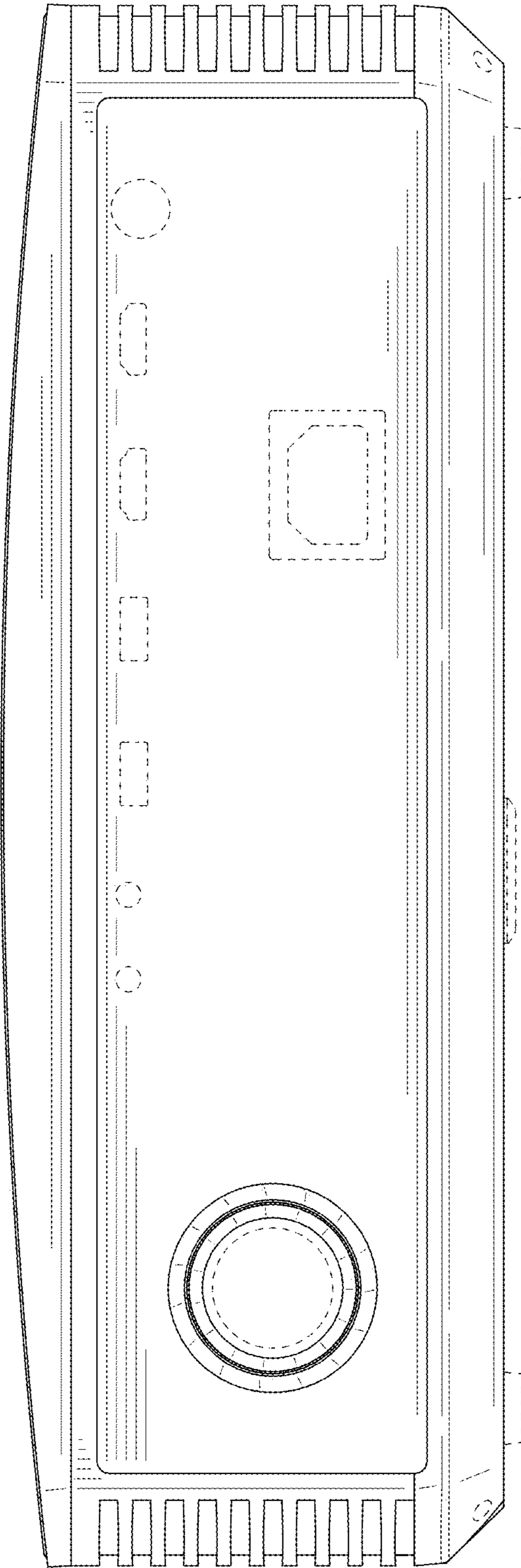


FIG. 4

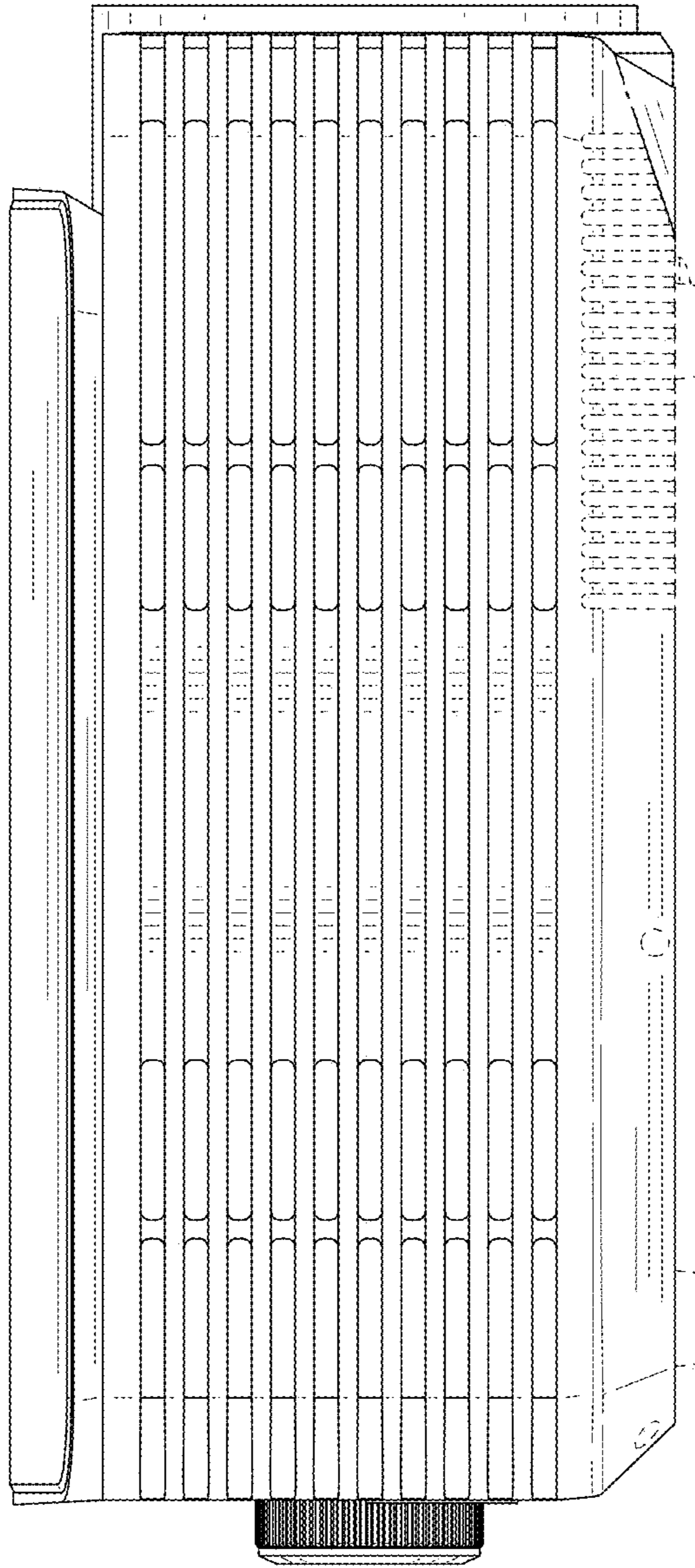


FIG. 5

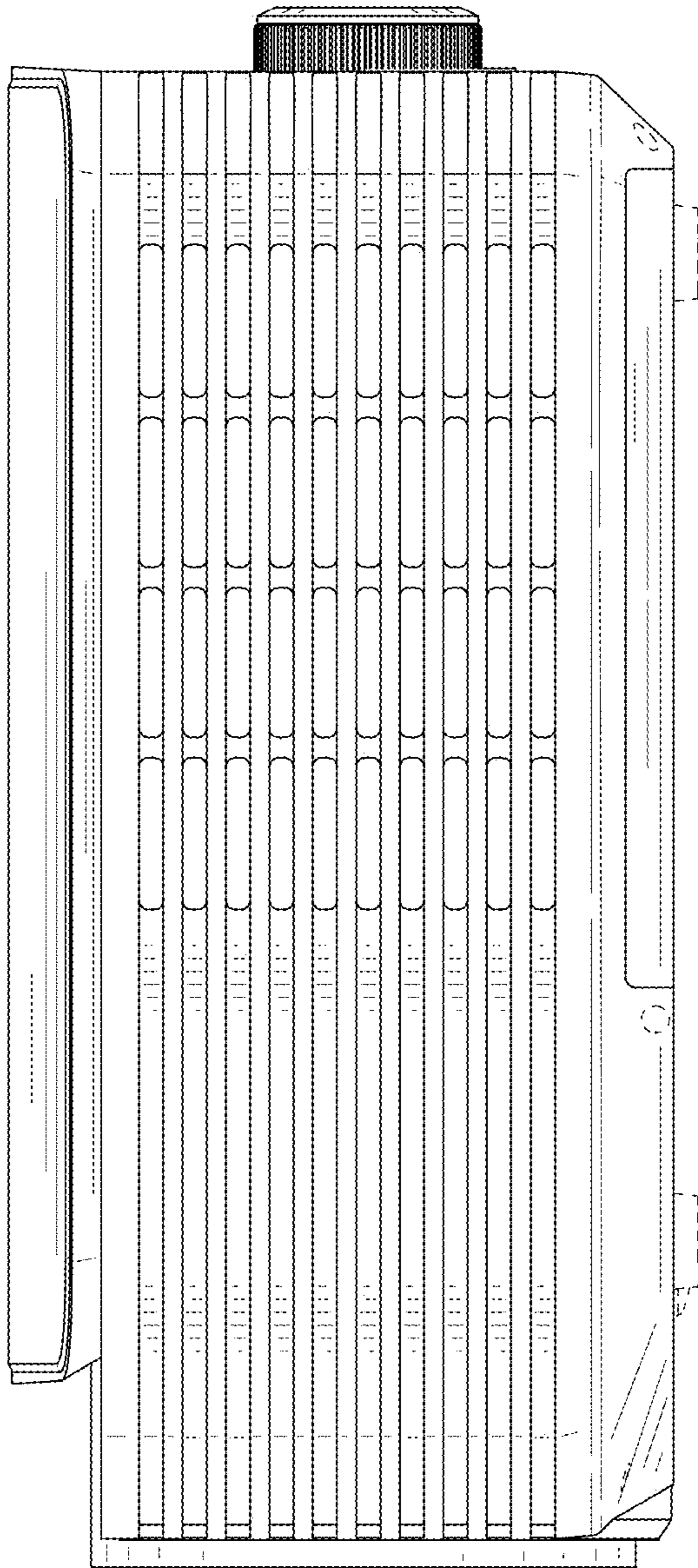


FIG. 6

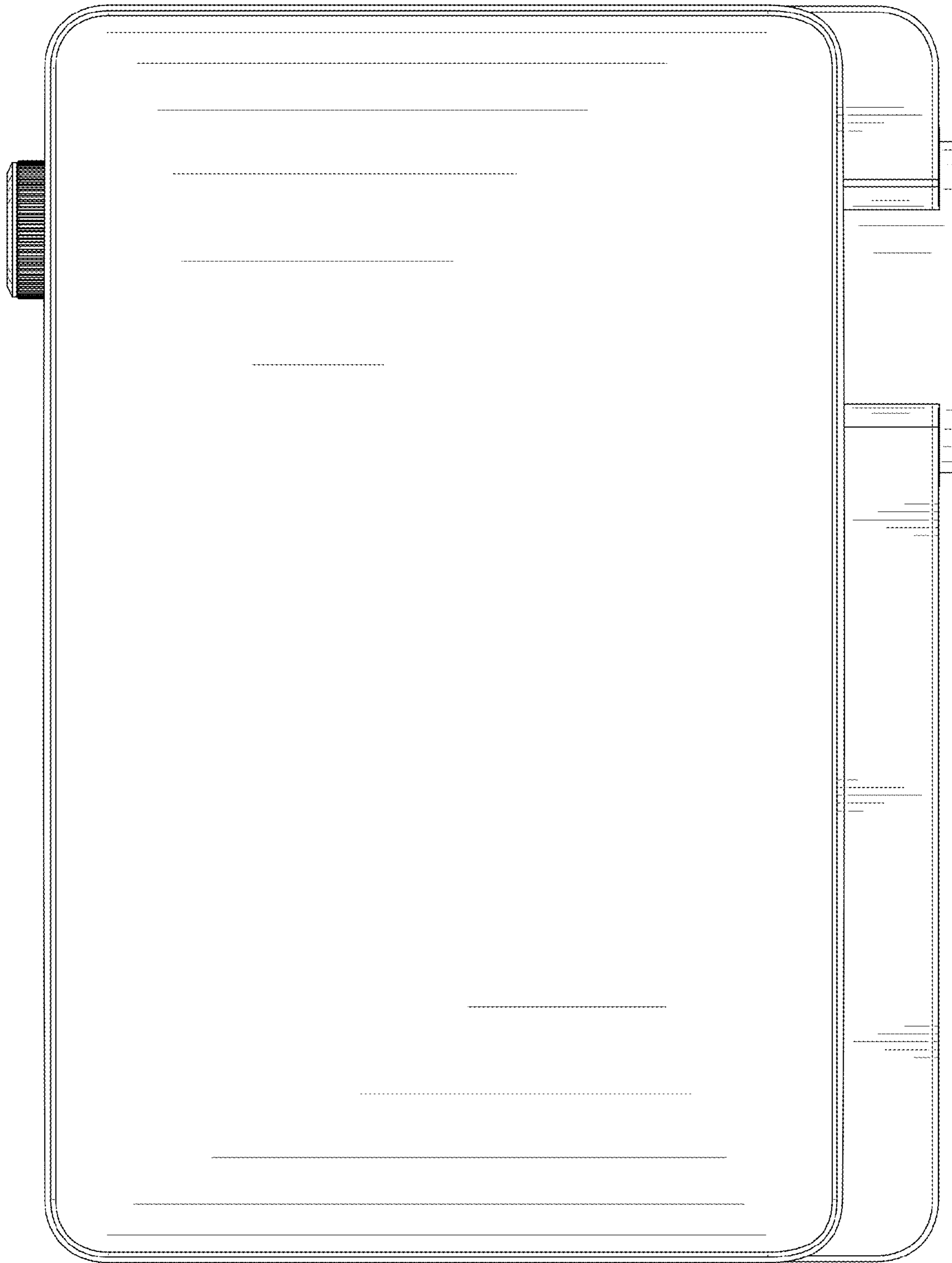


FIG. 7



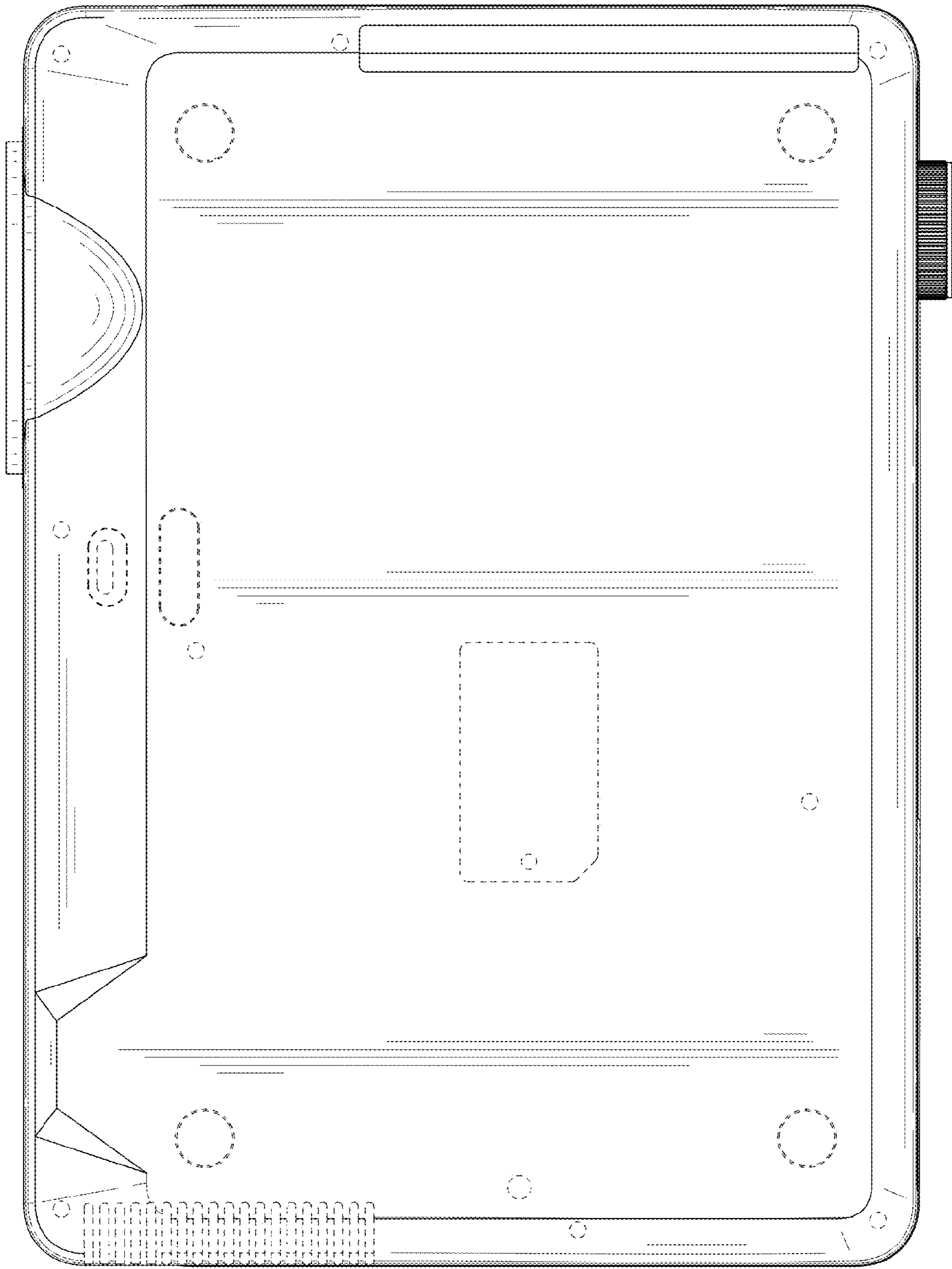


FIG. 8

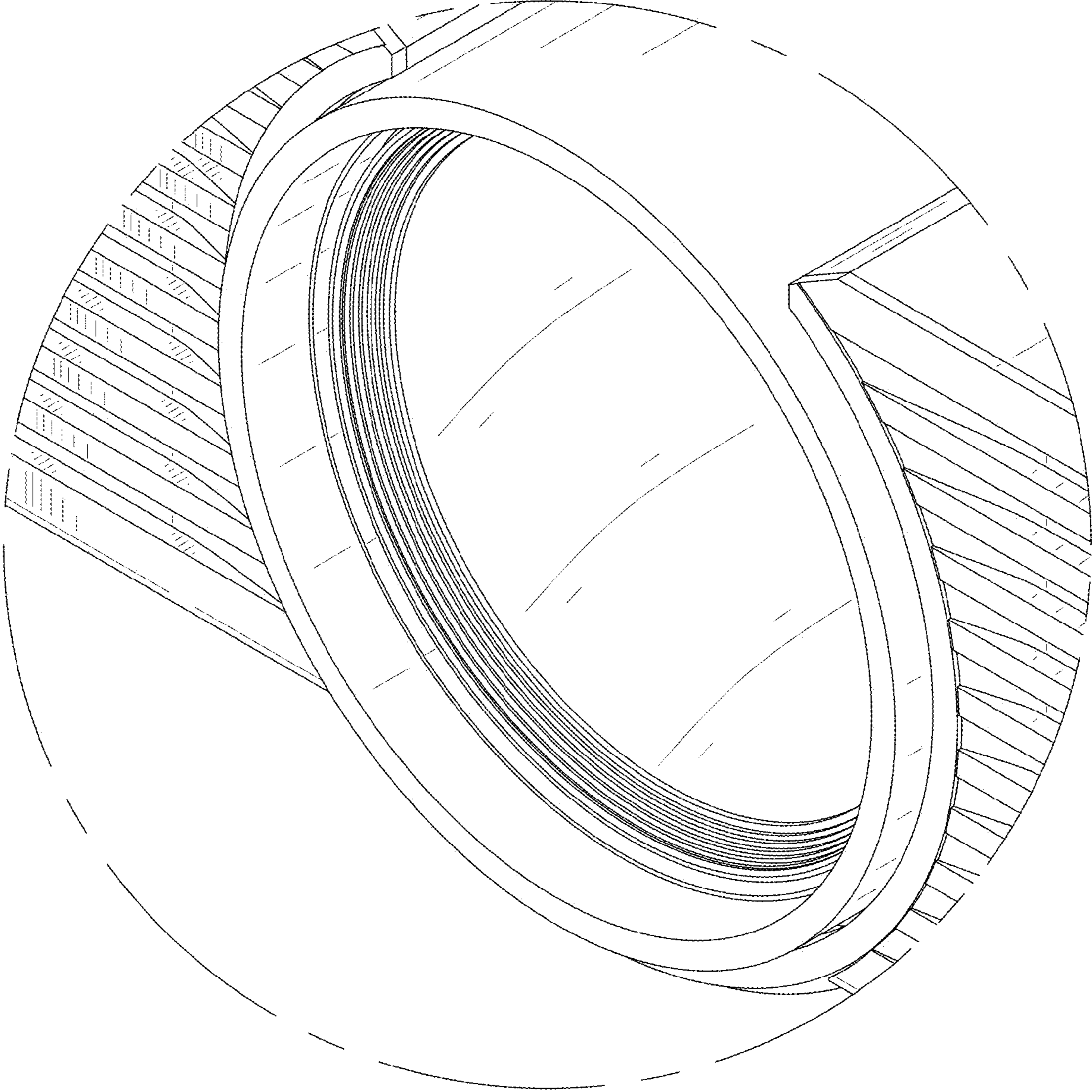


FIG. 9

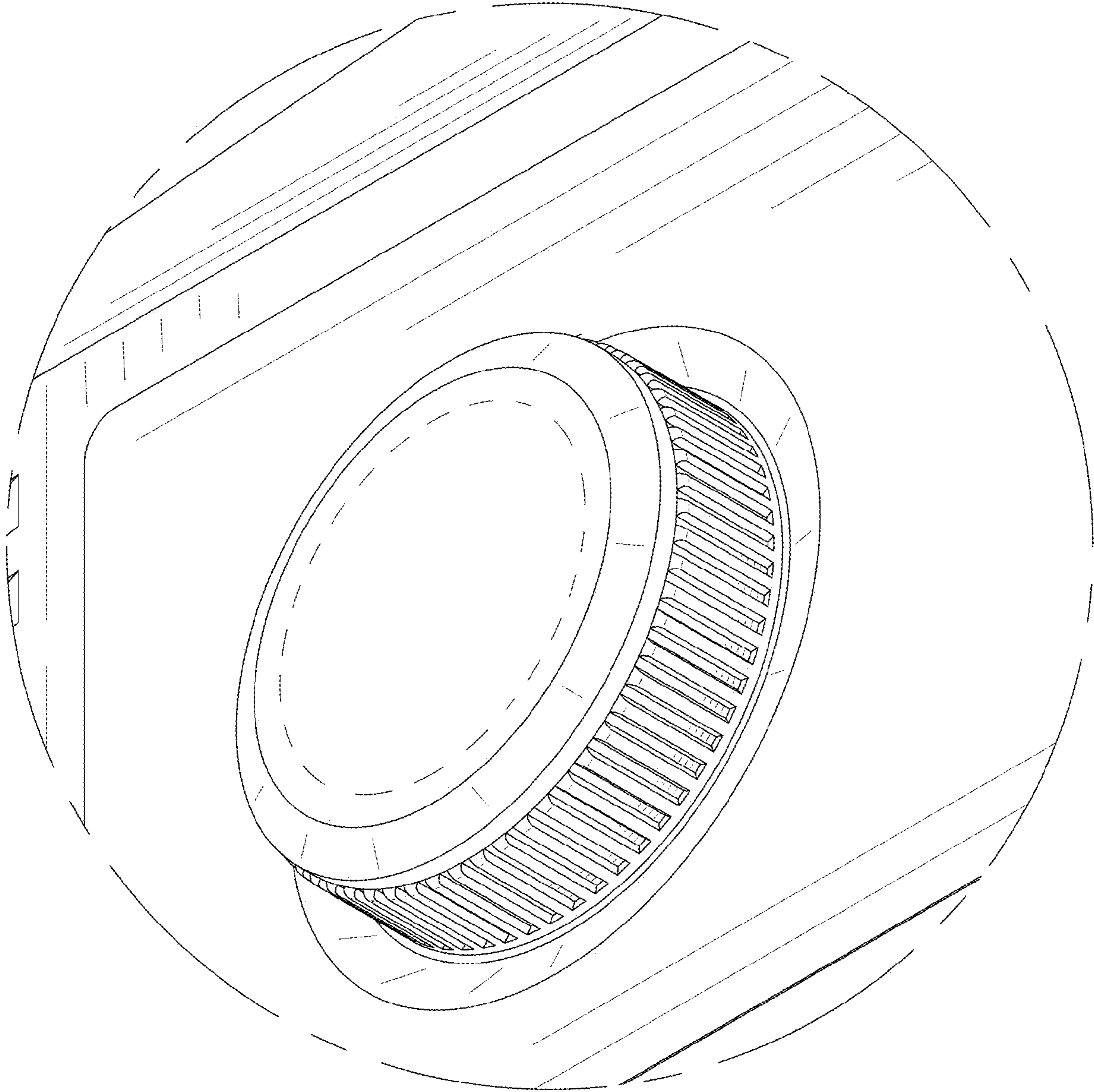


FIG. 10

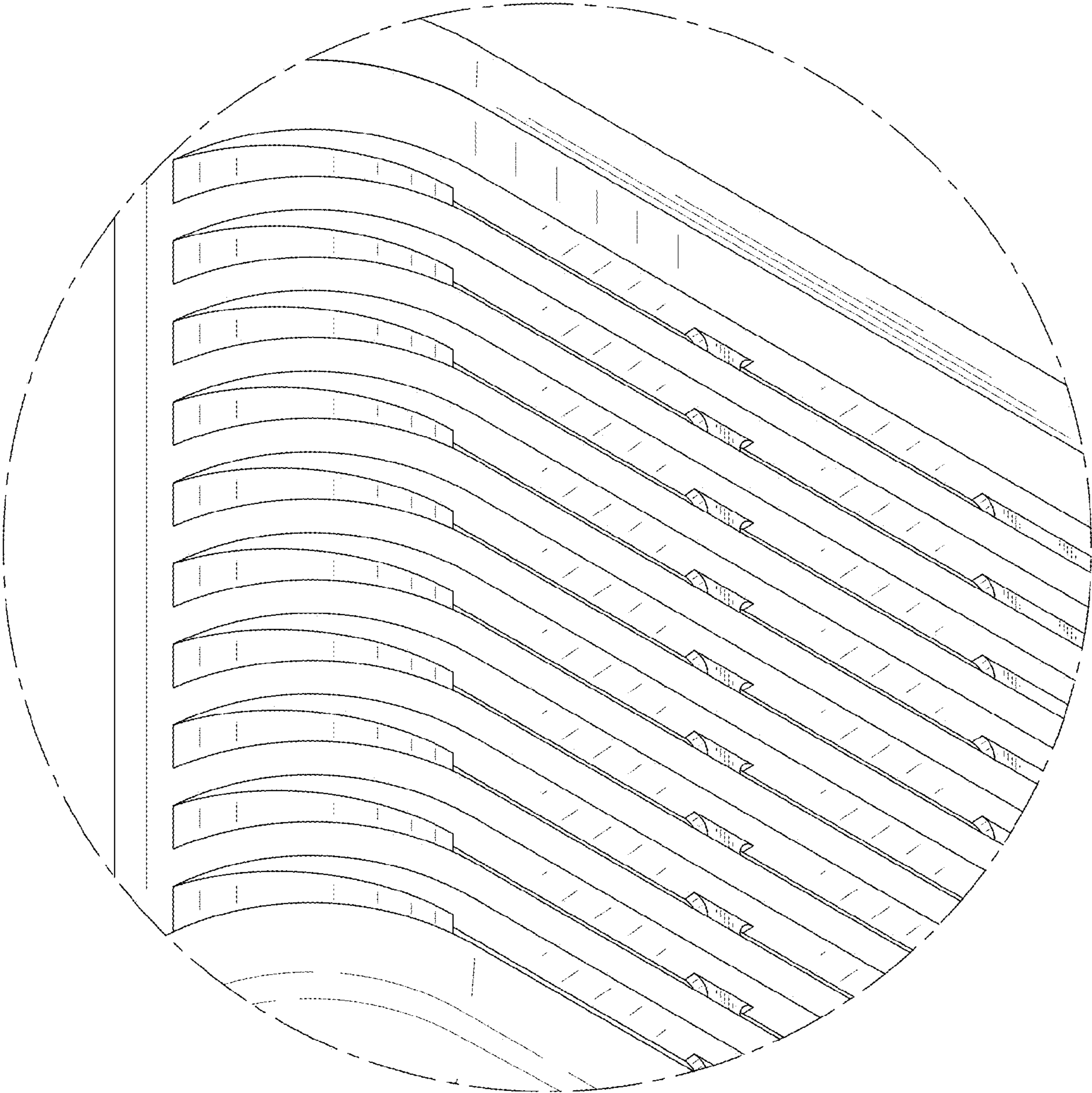


FIG. 11