



US00D948592S

(12) **United States Design Patent**
Lin

(10) **Patent No.:** **US D948,592 S**

(45) **Date of Patent:** **** Apr. 12, 2022**

(54) **CAMERA**

(71) Applicant: **Hangzhou Hikmicro Sensing Technology Co., Ltd.**, Hangzhou (CN)

(72) Inventor: **Dingsong Lin**, Hangzhou (CN)

(73) Assignee: **Hangzhou Hikmicro Sensing Technology Co., Ltd.**, Hangzhou (CN)

(**) Term: **15 Years**

(21) Appl. No.: **29/664,280**

(22) Filed: **Sep. 24, 2018**

(30) **Foreign Application Priority Data**

Jun. 15, 2018 (CN) 201830309646.7

(51) **LOC (13) Cl.** **16-01**

(52) **U.S. Cl.**
USPC **D16/203**

(58) **Field of Classification Search**
USPC D16/200, 202–206, 218, 219, 242;
348/143, 148, 151, 373–376; 396/419,
396/427, 535, 539–541
CPC G03B 17/02; G03B 19/04; G03B 17/56;
G03B 17/04; G03B 15/03; H04N 5/2251;
H04N 5/2252; H04N 5/2253; H04N
5/2254; H04N 7/181; H04N 7/183; H04N
7/18; G08B 13/1963; G08B 13/19619;
G08B 13/19632; F16M 11/04; F16M
13/00

See application file for complete search history.

(56) **References Cited**

U.S. PATENT DOCUMENTS

D349,296 S * 8/1994 Ichiyoshi D16/242
D474,489 S * 5/2003 Kawashima D16/202

D541,326 S * 4/2007 Ford D16/203
D554,170 S * 10/2007 Grotto D16/203
D619,158 S * 7/2010 Frank D16/242
D637,639 S * 5/2011 Park D16/203
D649,175 S * 11/2011 Willis D16/242
D679,308 S * 4/2013 Park D16/203
D716,985 S * 11/2014 Jones D26/51
D803,921 S * 11/2017 Ballard D16/203
D804,074 S * 11/2017 Fang D26/65
D804,075 S * 11/2017 Fang D26/65
D838,760 S * 1/2019 Ahman D16/203

* cited by examiner

Primary Examiner — Ramzi Almatrahi

(74) *Attorney, Agent, or Firm* — Clements Bernard Baratta; Lawrence A. Baratta, Jr.

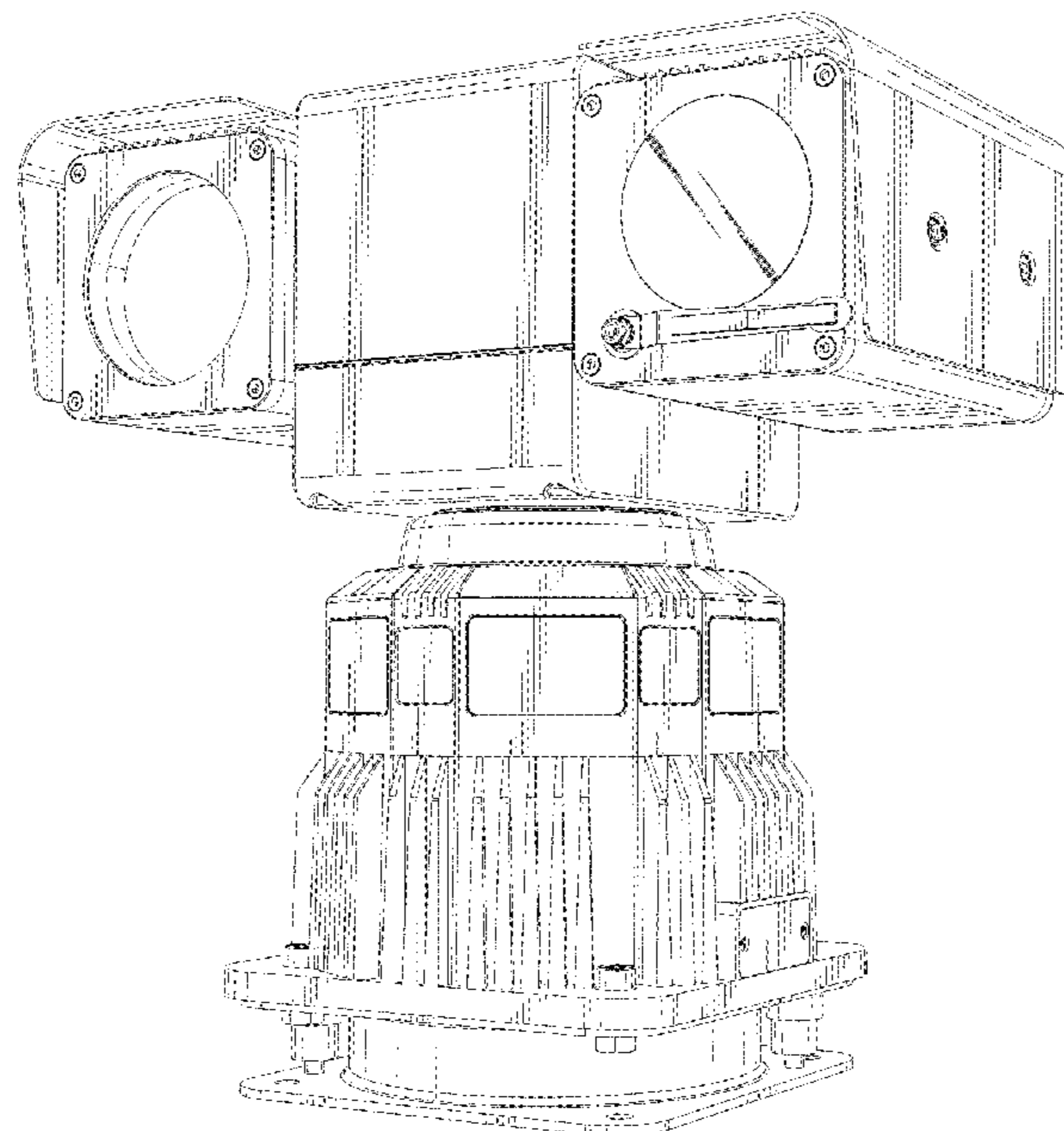
(57) **CLAIM**

The ornamental design for a camera, as shown and described.

DESCRIPTION

FIG. 1 is a front elevation view of a camera showing my new design;
FIG. 2 is a left side elevation view thereof;
FIG. 3 is a right side elevation view thereof;
FIG. 4 is a top plan view thereof;
FIG. 5 is a bottom plan view thereof;
FIG. 6 is a back elevation view thereof; and,
FIG. 7 is a front and right perspective view thereof.
The broken lines depict portions of the camera in which the design is embodied that form no part of the claimed design.

1 Claim, 7 Drawing Sheets



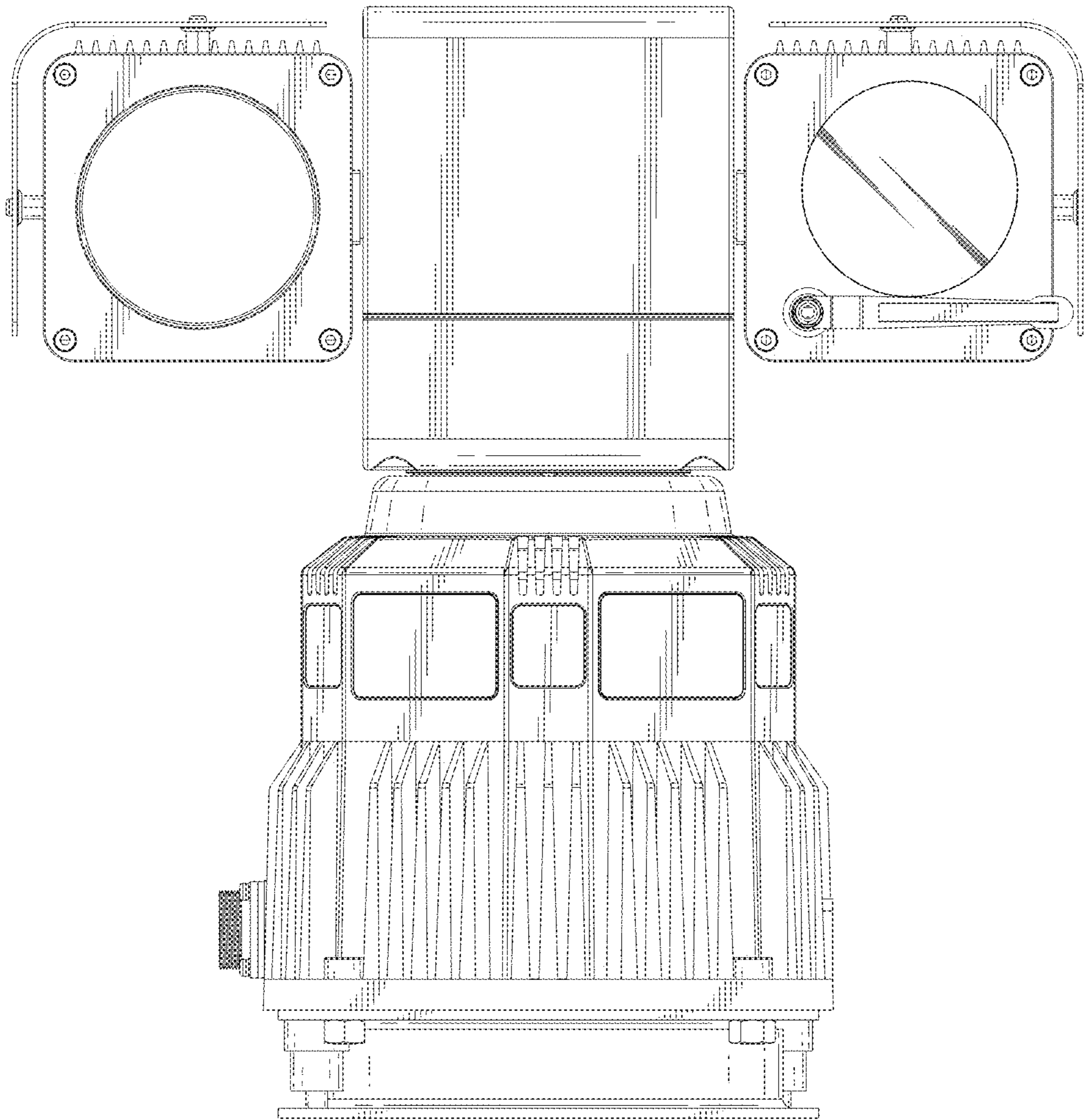


FIG. 1

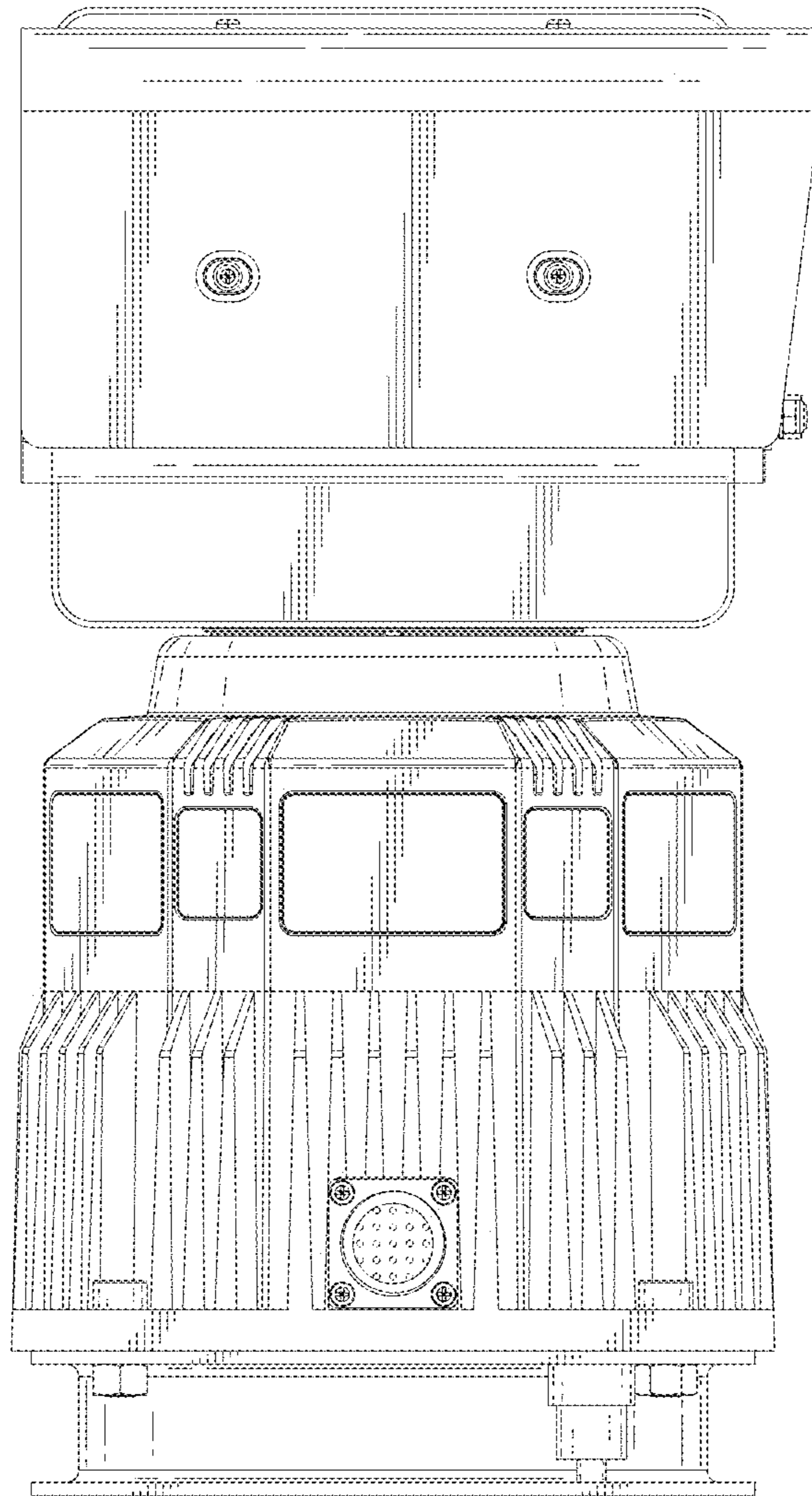


FIG.2

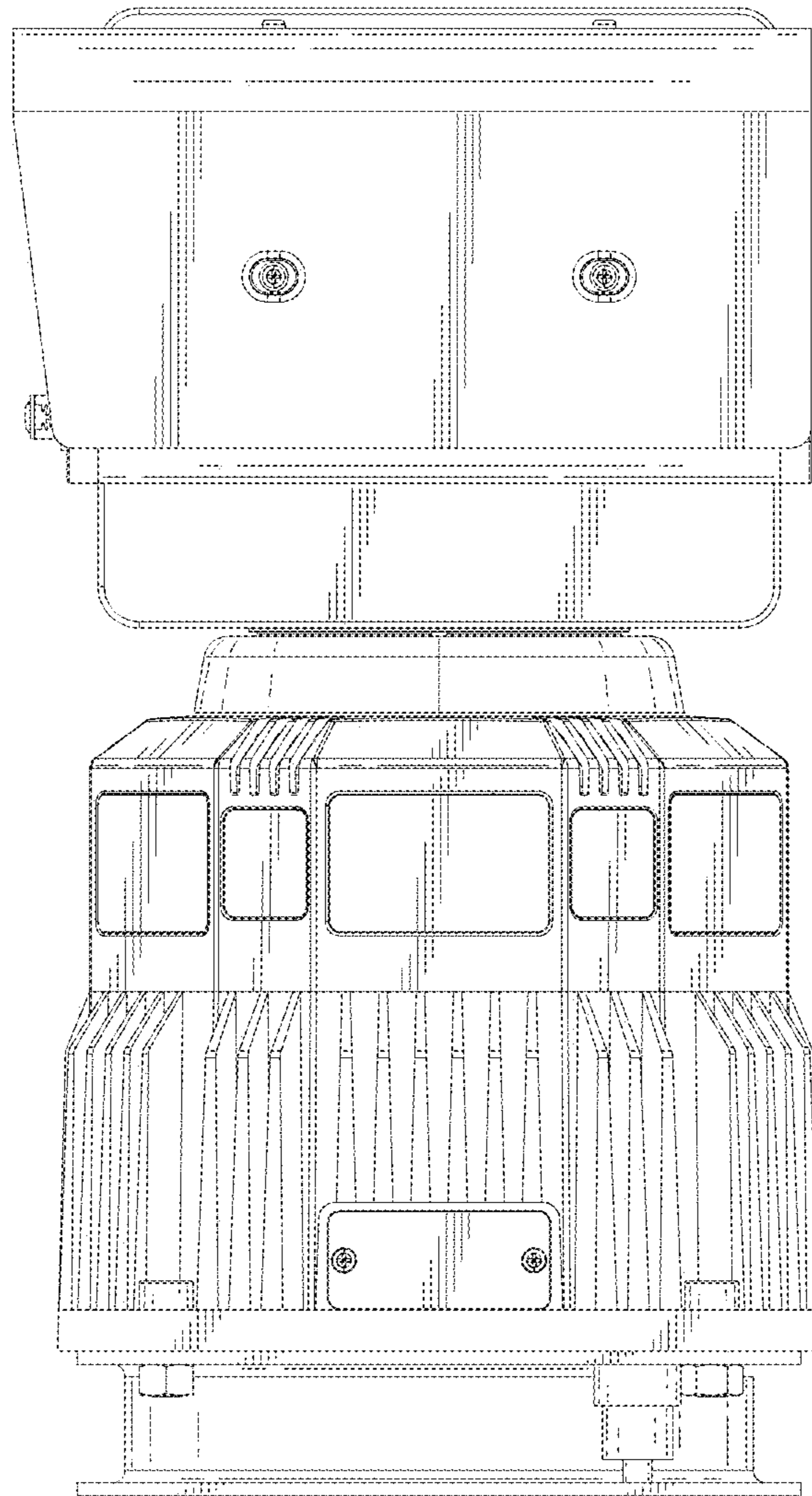


FIG.3

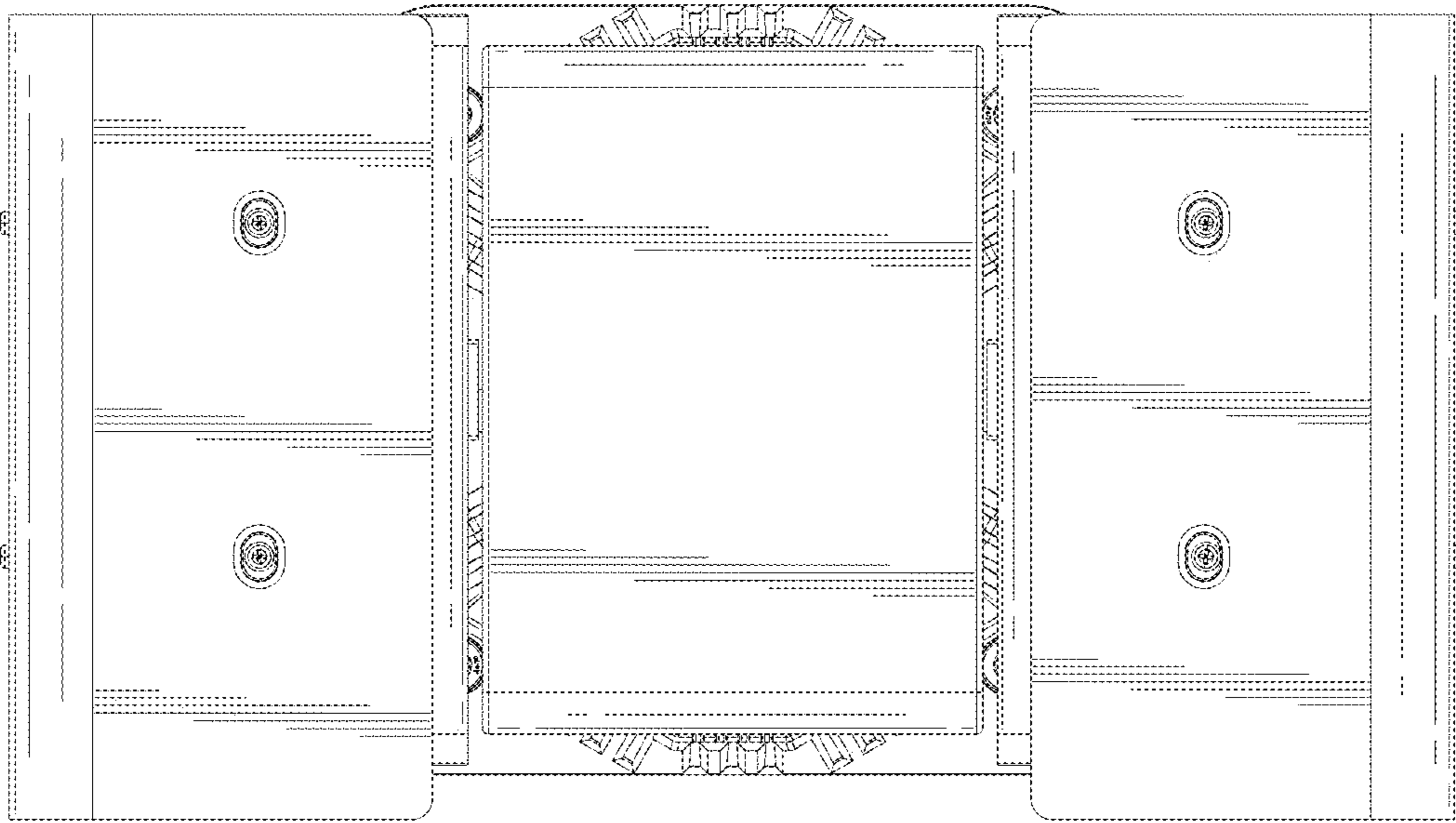


FIG.4

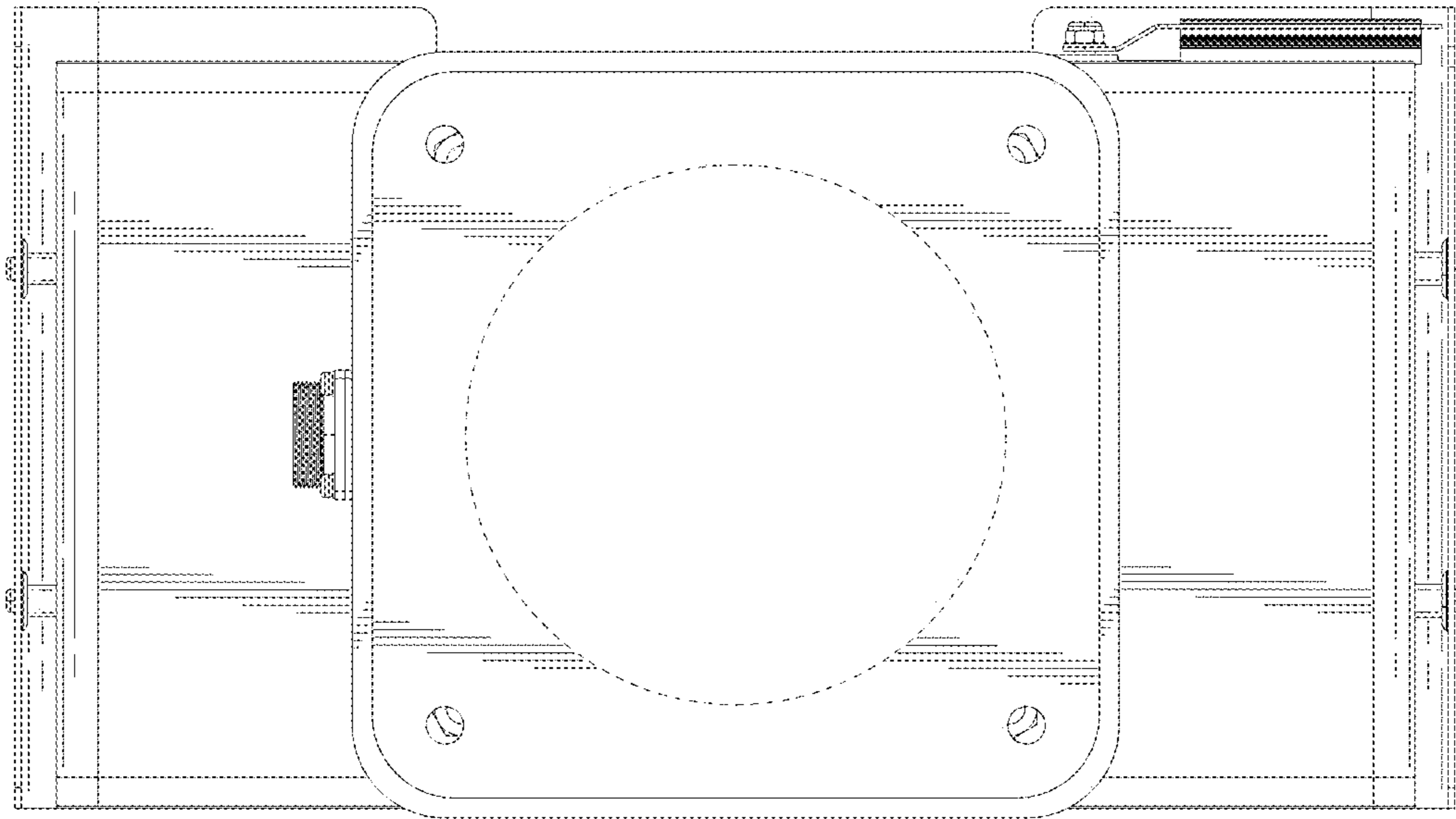


FIG.5

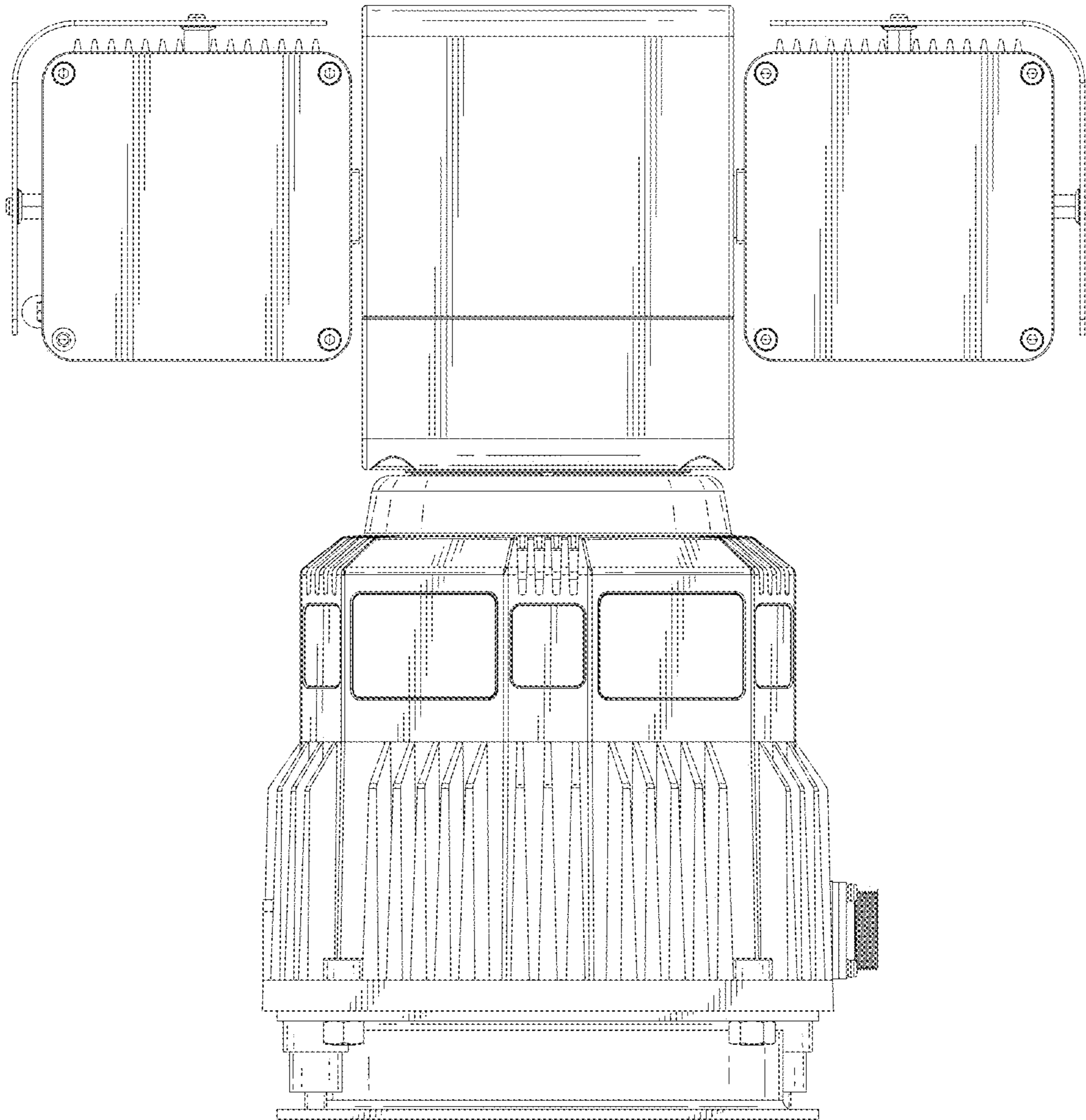


FIG.6

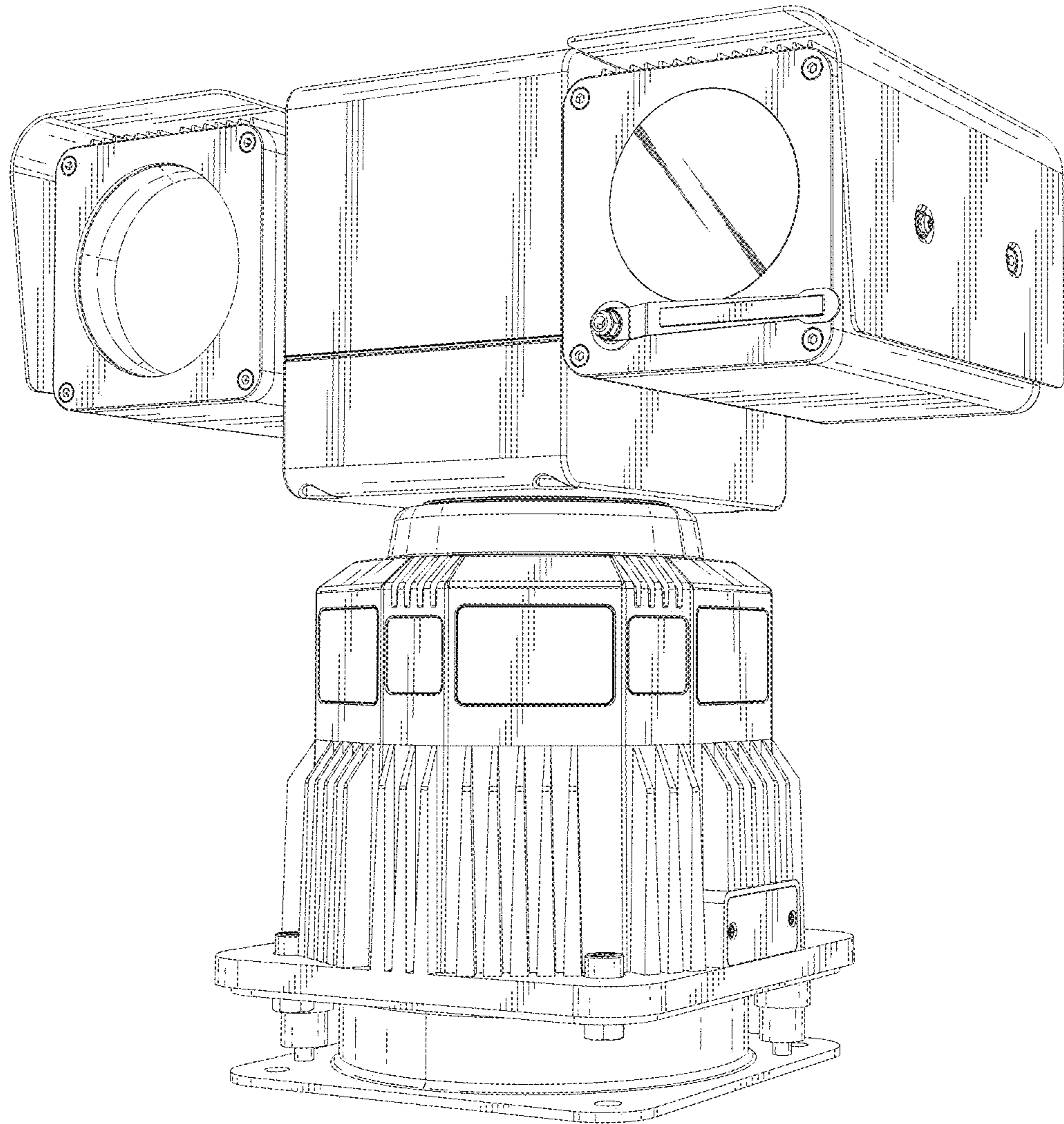


FIG.7