



US00D948591S

(12) **United States Design Patent** (10) **Patent No.:** **US D948,591 S**
Sono et al. (45) **Date of Patent:** **** Apr. 12, 2022**

(54) **LENS FOR INFRARED RADIATION SENSOR**

(71) Applicant: **Panasonic Intellectual Property Management Co., Ltd., Osaka (JP)**

(72) Inventors: **Takahiro Sono, Shiga (JP); Ryo Taniguchi, Osaka (JP)**

(73) Assignee: **Panasonic Intellectual Property Management Co., Ltd., Osaka (JP)**

(**) Term: **15 Years**

(21) Appl. No.: **29/736,537**

(22) Filed: **Jun. 1, 2020**

(30) **Foreign Application Priority Data**

Dec. 17, 2019 (JP) 2019-027963

(51) **LOC (13) Cl.** **16-06**

(52) **U.S. Cl.**
USPC **D16/134**

(58) **Field of Classification Search**
USPC D16/130, 131, 134, 135, 136, 245, 219
CPC E06B 9/24; G03B 17/02; C03B 2215/46;
G02B 2003/0093; G02B 3/04
See application file for complete search history.

(56) **References Cited**

U.S. PATENT DOCUMENTS

8,517,563 B2 * 8/2013 Ma G03B 15/05
362/228
9,772,541 B2 * 9/2017 Huang H04N 5/2252
D803,291 S * 11/2017 Andersson D16/219
D816,148 S * 4/2018 Li D16/219
D840,457 S * 2/2019 Geller D16/131

D856,397 S * 8/2019 Ahman D16/219
D900,194 S * 10/2020 Tamura D16/219
D900,196 S * 10/2020 Tamura D16/219
D900,197 S * 10/2020 Tamura D16/219
D915,488 S * 4/2021 Shimasaki D16/136
D918,285 S * 5/2021 Nagaoka D16/219
D921,739 S * 6/2021 Liu D16/219
D923,072 S * 6/2021 Persson D16/203

FOREIGN PATENT DOCUMENTS

JP D1459968 1/2013

* cited by examiner

Primary Examiner — Mark A Goodwin

Assistant Examiner — Benjamin M Weeks

(74) *Attorney, Agent, or Firm* — Crowell & Moring LLP

(57) **CLAIM**

We claim the ornamental design for a lens for an infrared radiation sensor, as shown and described.

DESCRIPTION

FIG. 1 is a perspective view of a lens for infrared radiation sensor according to the invention;
FIG. 2 is a top view thereof;
FIG. 3 is a bottom view thereof;
FIG. 4 is a left side view thereof;
FIG. 5 is a right side view thereof;
FIG. 6 is a top plan view thereof;
FIG. 7 is a bottom view thereof; and,
FIG. 8 is a cross-sectional view thereof taken along line 8-8 of FIG. 3.

The broken line showing of a lens for infrared radiation sensor is included for the purpose of illustrating portions of the article and form no part of the claimed design. The dash-dot broken lines define bounds of the claimed design.

1 Claim, 8 Drawing Sheets

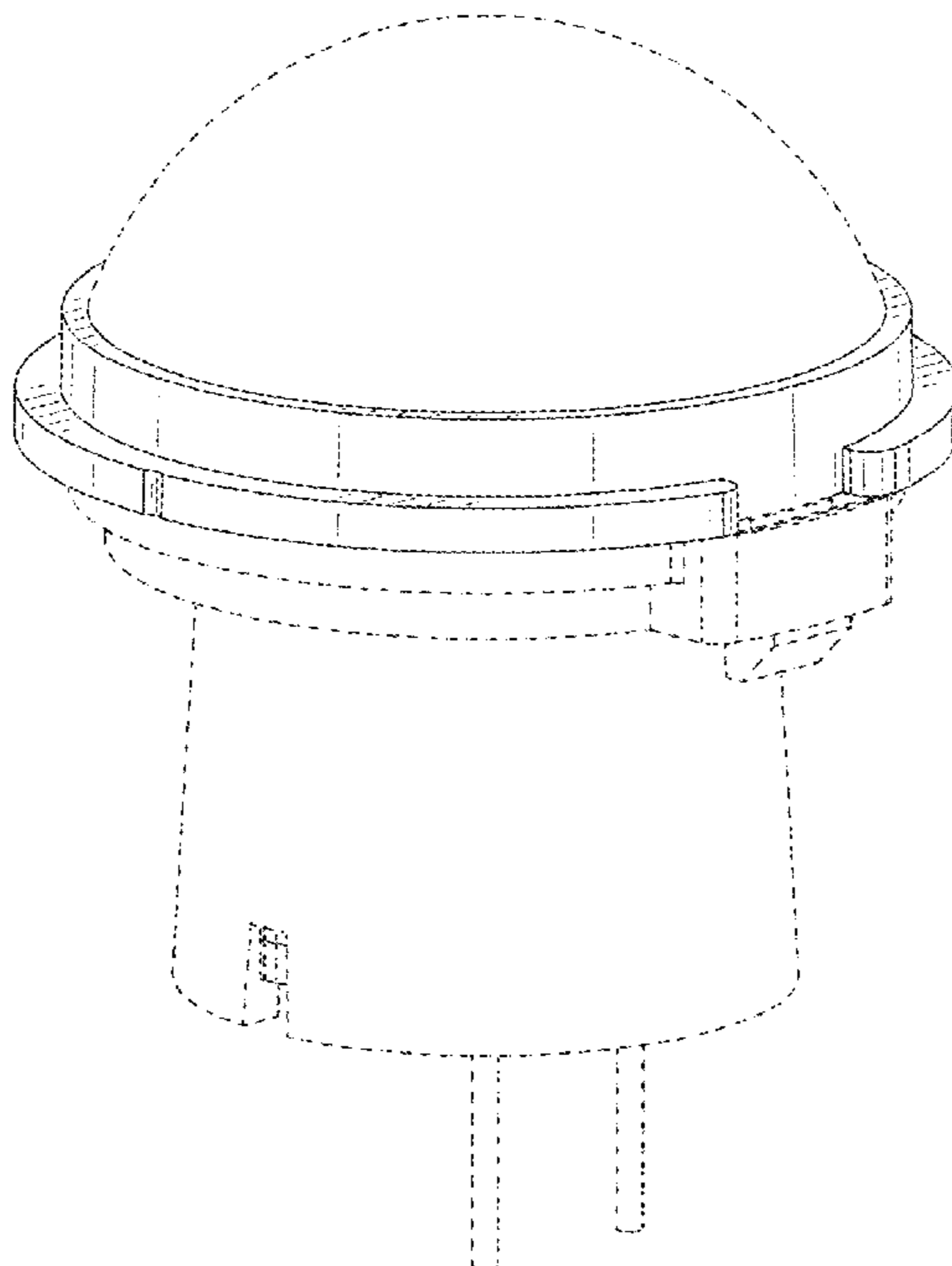


FIG. 1

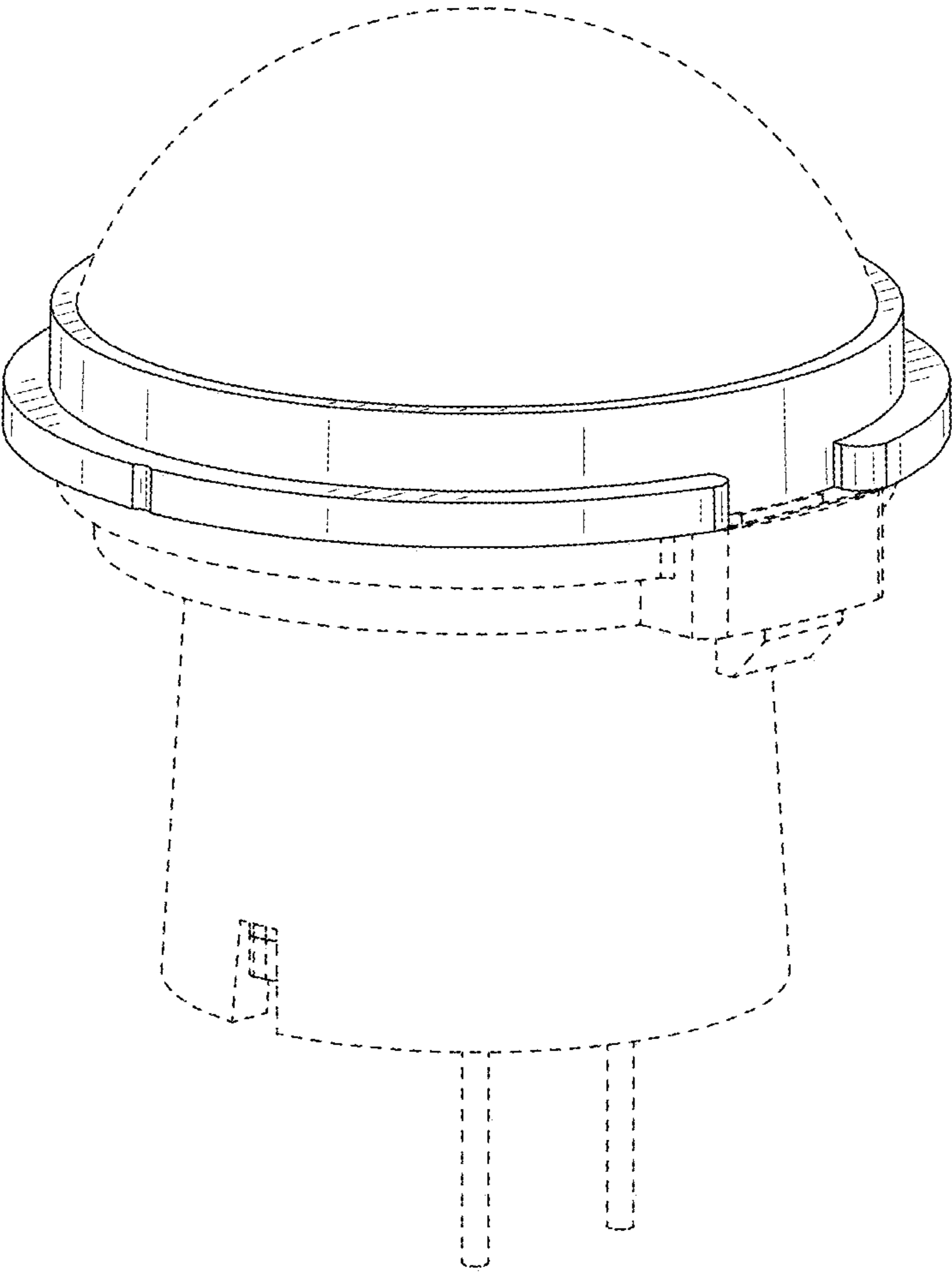


FIG. 2

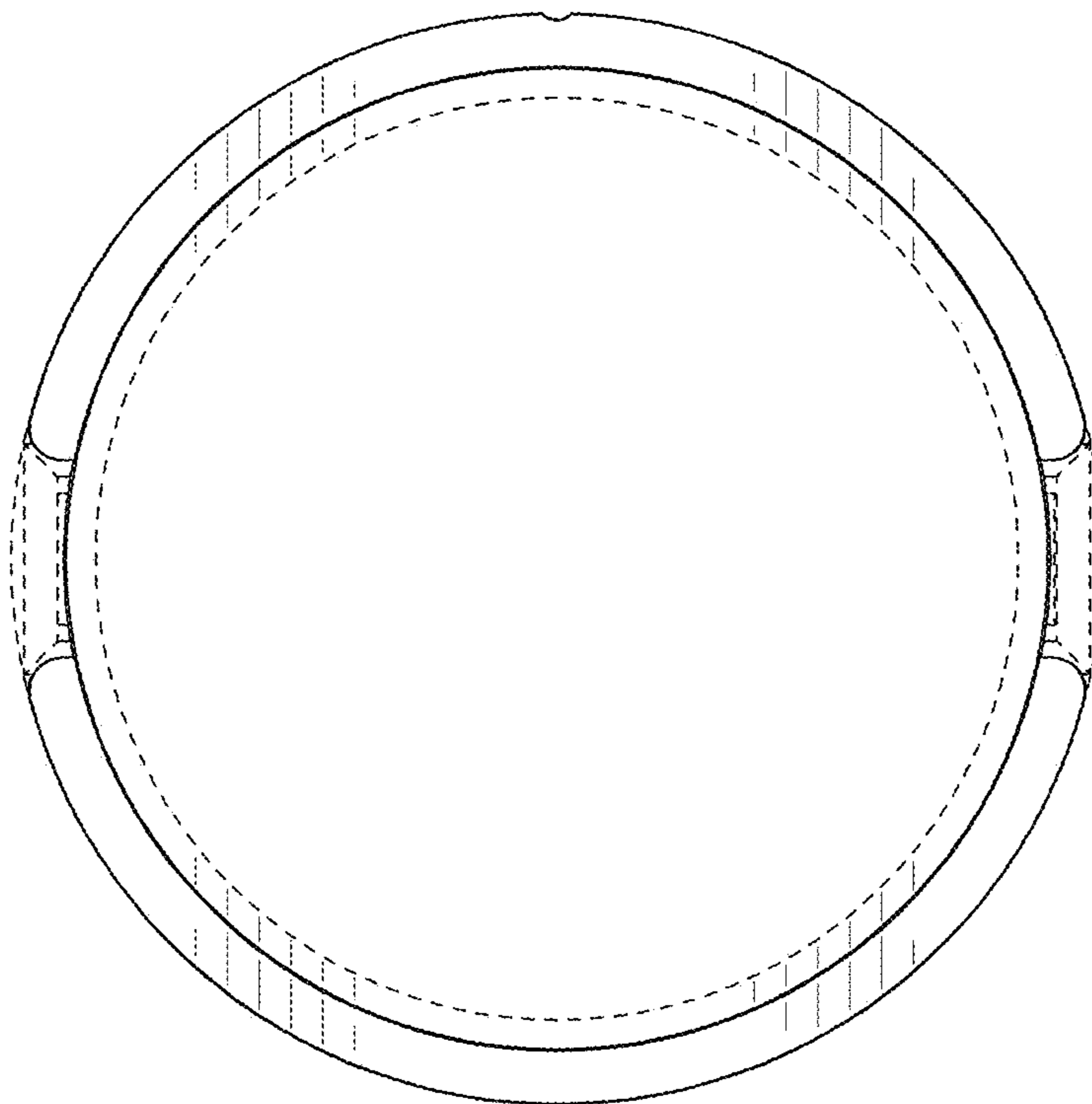


FIG. 3

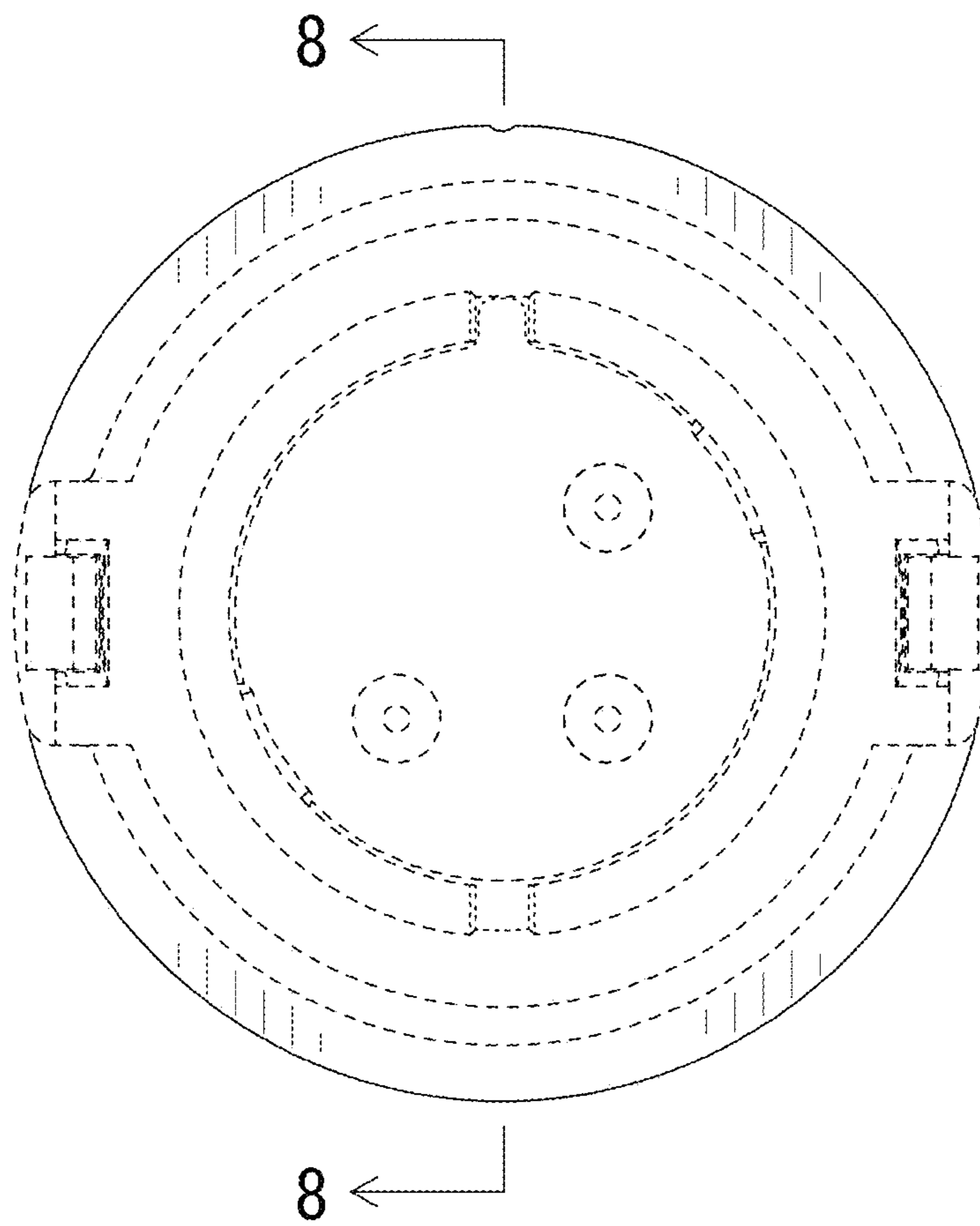


FIG. 4

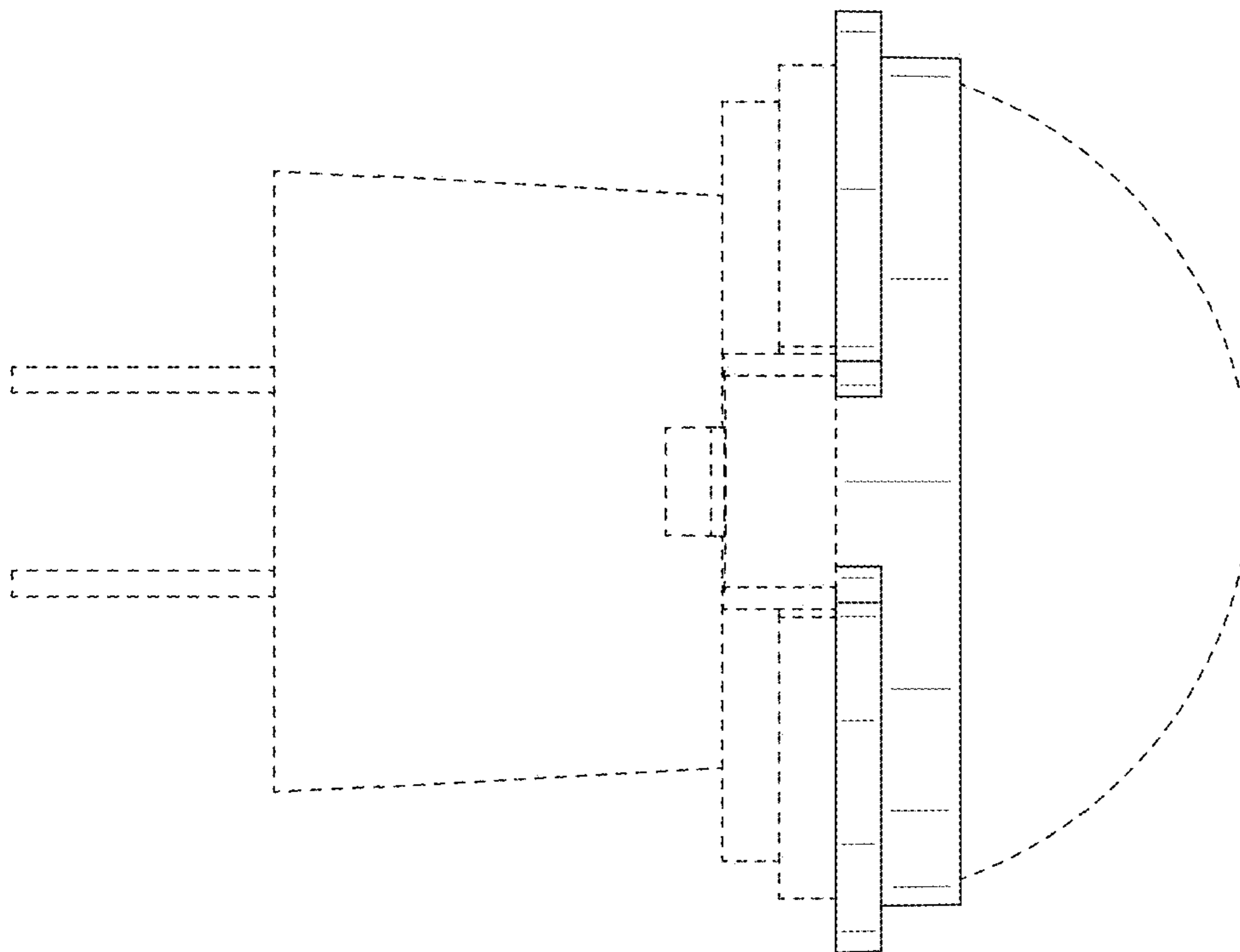


FIG. 5

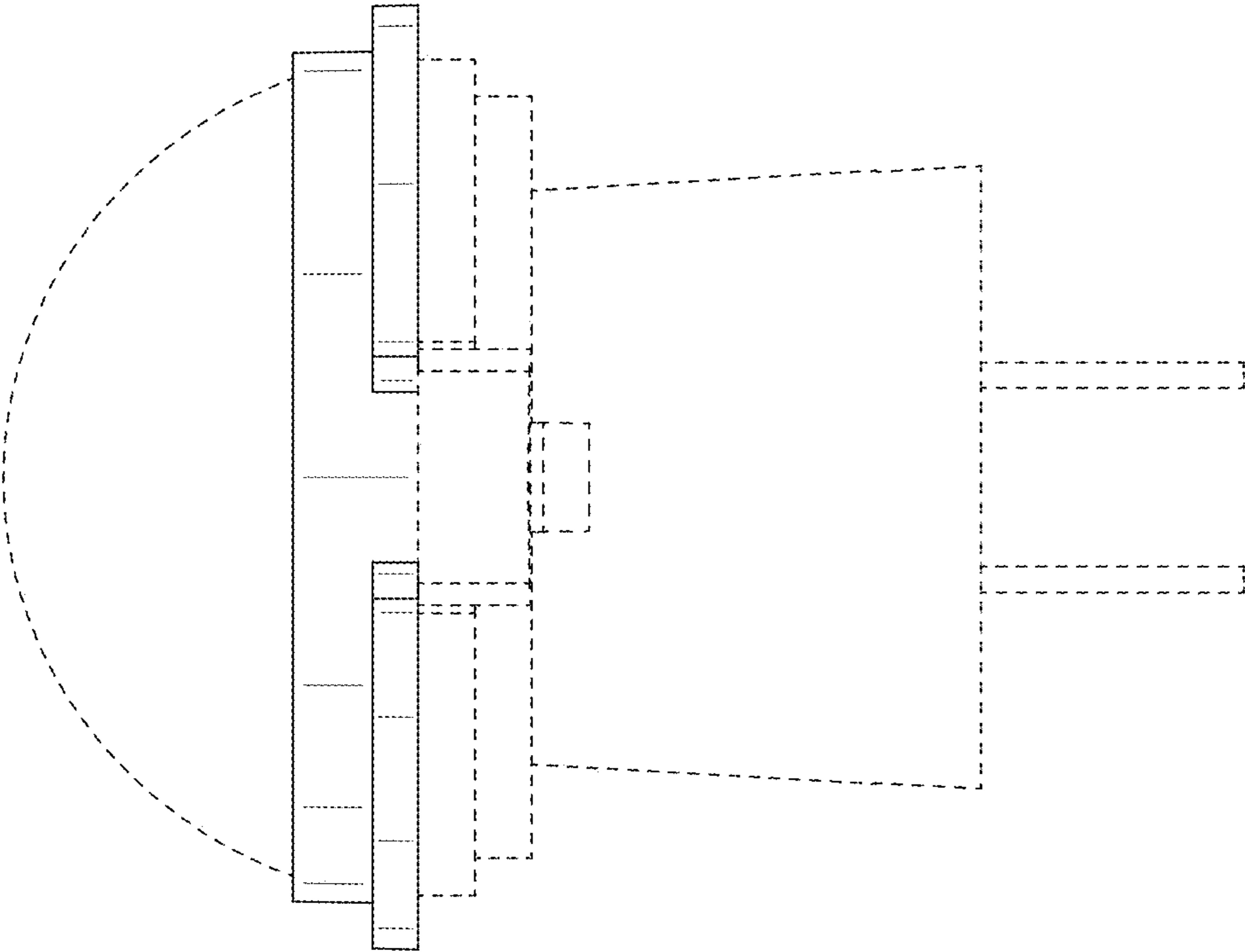


FIG. 6

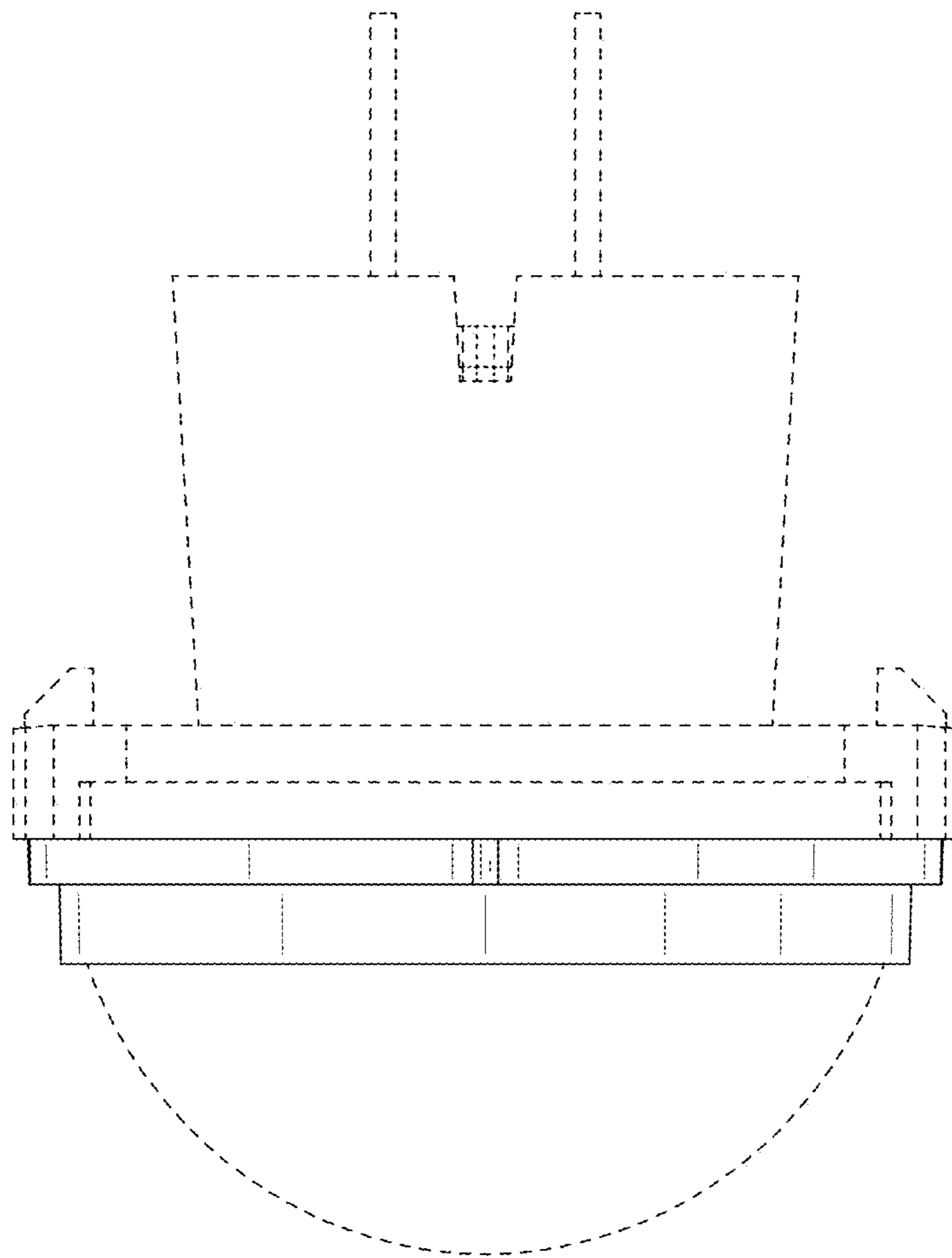


FIG. 7

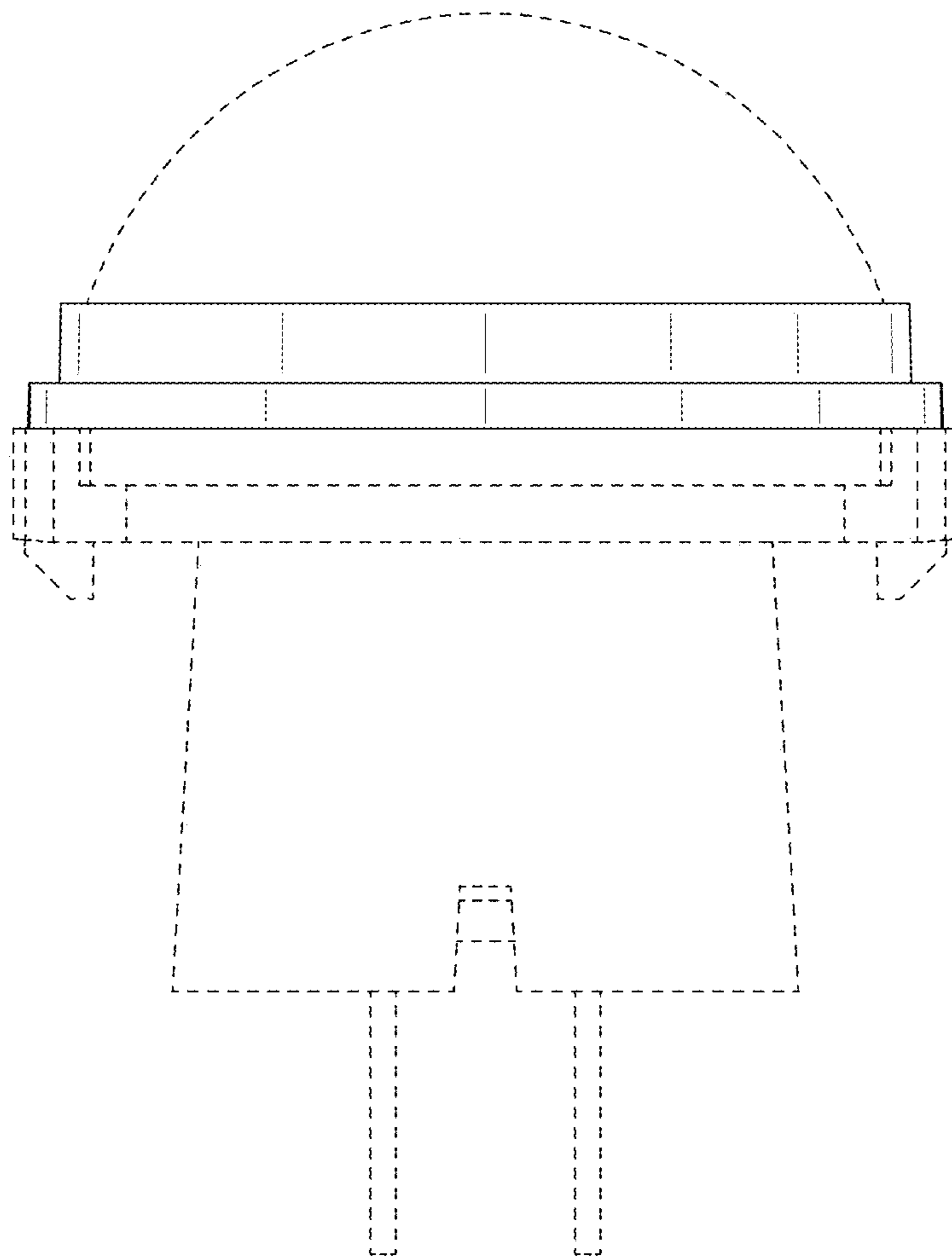


FIG. 8

