



US00D948589S

(12) **United States Design Patent** (10) **Patent No.:** **US D948,589 S**
Yashiro (45) **Date of Patent:** **** Apr. 12, 2022**

(54) **ROBOT**
(71) Applicant: **SONY CORPORATION**, Tokyo (JP)
(72) Inventor: **Shogo Yashiro**, Surrey (GB)
(73) Assignee: **SONY CORPORATION**, Tokyo (JP)
(**) Term: **15 Years**

D836,690 S * 12/2018 Kim D15/199
10,399,616 B2 * 9/2019 Ellerman A63H 33/26
D912,114 S * 3/2021 Reichert D15/199
2004/0253904 A1 * 12/2004 Lin A63B 23/12
446/236
2006/0245894 A1 * 11/2006 Merz B25J 9/104
414/680
2008/0097644 A1 * 4/2008 Kaznov A63H 29/22
700/245
2011/0073386 A1 * 3/2011 Provancher B62D 57/024
180/7.1

(21) Appl. No.: **29/694,619**

(Continued)

(22) Filed: **Jun. 12, 2019**

FOREIGN PATENT DOCUMENTS

(30) **Foreign Application Priority Data**

KR 30-0921497 S 9/2017
WO WO-9935026 A1 * 7/1999 B62D 57/032
WO WO-2006049559 A1 * 5/2006 A63H 17/00

Feb. 15, 2019 (JP) D2019-003040

(51) **LOC (13) Cl.** **15-99**

Primary Examiner — Patricia A Palasik

(52) **U.S. Cl.**
USPC **D15/199**

(74) *Attorney, Agent, or Firm* — Michael Best and Friedrich LLP

(58) **Field of Classification Search**
USPC 15/199; 21/578–583, 621; D34/34
CPC A63H 3/48; A63H 11/20; A63H 30/04;
A63H 2200/00; B25J 5/007; B25J 11/00;
B25J 11/008; B62D 57/024; G06N 3/008;
Y10S 901/01

(57) **CLAIM**

The ornamental design for a robot, as shown and described.

See application file for complete search history.

DESCRIPTION

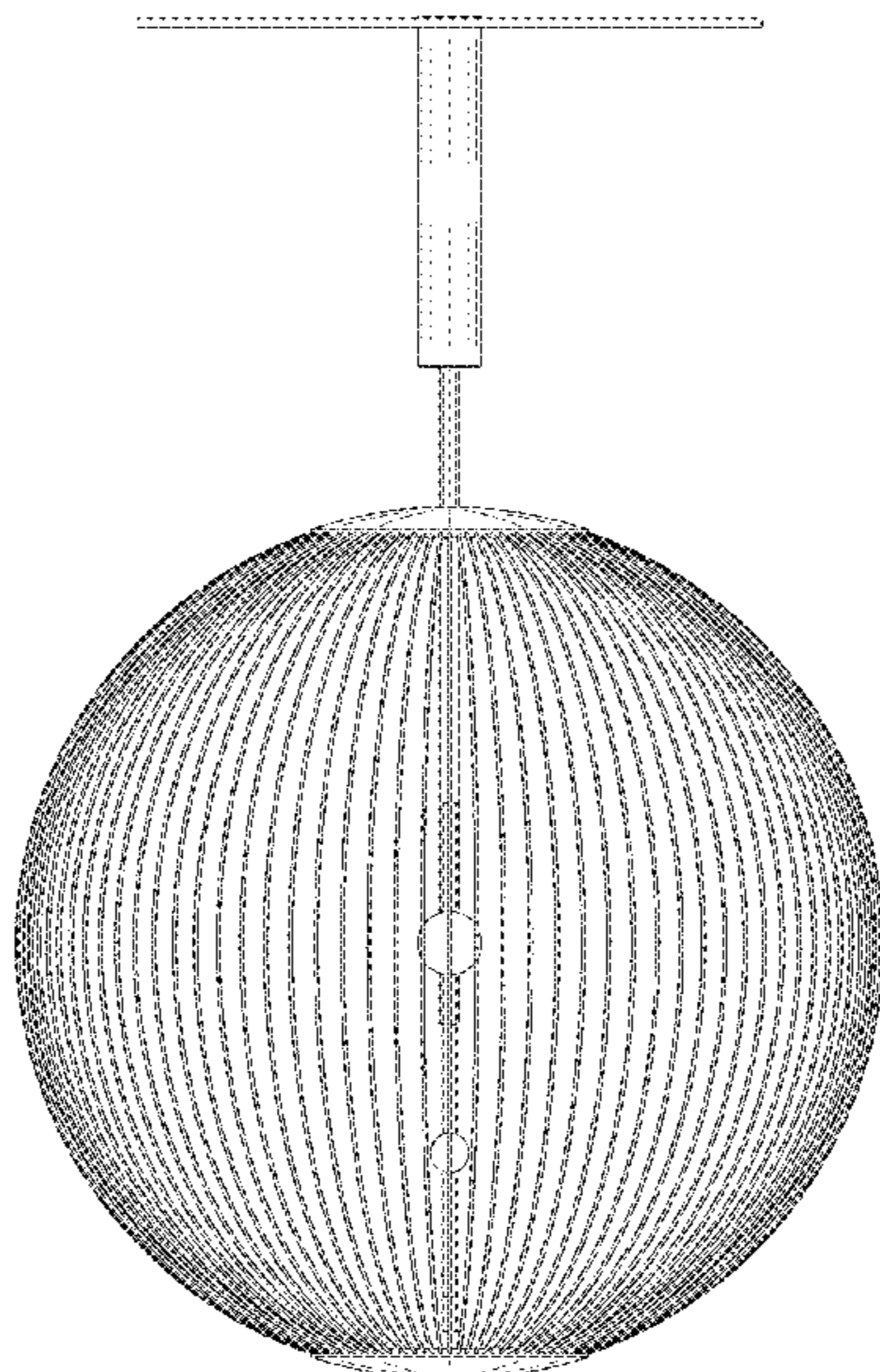
(56) **References Cited**

FIG. 1 is a front elevational view of a robot showing my new design;
FIG. 2 is a rear elevational view thereof;
FIG. 3 is a left side elevational view thereof;
FIG. 4 is a right side elevational view thereof;
FIG. 5 is a top plan view thereof; and
FIG. 6 is a bottom plan view thereof.
FIG. 7 is a perspective view thereof, wherein the pendulum is at a first alternate position;
FIG. 8 is a perspective view thereof, wherein the pendulum is at a second alternate position; and,
FIG. 9 is a perspective view thereof, wherein the pendulum is at a third alternate position.

U.S. PATENT DOCUMENTS

6,428,432 B1 * 8/2002 Kachel A63B 43/06
473/570
D478,813 S * 8/2003 Beene D9/519
D478,921 S * 8/2003 Kullborg D15/199
D582,281 S * 12/2008 Zanaletti D9/516
D619,632 S * 7/2010 Feng D15/199
D650,819 S * 12/2011 Liu D15/199
D734,821 S * 7/2015 Greaves D21/578
D763,937 S * 8/2016 Brogardh D15/199
D810,166 S * 2/2018 Lee D15/199
D832,326 S * 10/2018 Lee D15/199
D832,327 S * 10/2018 Miao D15/199

1 Claim, 8 Drawing Sheets



(56)

References Cited

U.S. PATENT DOCUMENTS

2011/0113914 A1* 5/2011 Zhang B25J 9/107
74/490.01
2011/0113915 A1* 5/2011 Zhang B25J 17/0266
74/490.01
2011/0113918 A1* 5/2011 Zhao B25J 17/0266
74/490.05
2011/0154936 A1* 6/2011 Zhao B25J 9/1065
74/490.04
2012/0103128 A1* 5/2012 Long B25J 17/0216
74/490.08
2012/0118097 A1* 5/2012 Ilch B25J 9/0051
74/490.05
2013/0206915 A1* 8/2013 Desaulniers B64C 39/028
244/165
2017/0080560 A1* 3/2017 Krut B25J 9/0051
2018/0024561 A1* 1/2018 Soh G05D 1/0272
700/258
2018/0043838 A1* 2/2018 Ellerman A63H 33/26
2018/0186242 A1* 7/2018 Rhodes B60L 1/00
2018/0236655 A1* 8/2018 Nakanishi B25J 9/0051
2019/0015993 A1* 1/2019 Kunitake B25J 5/007
2020/0156245 A1* 5/2020 Abdallah B25J 19/023

* cited by examiner

Fig.1

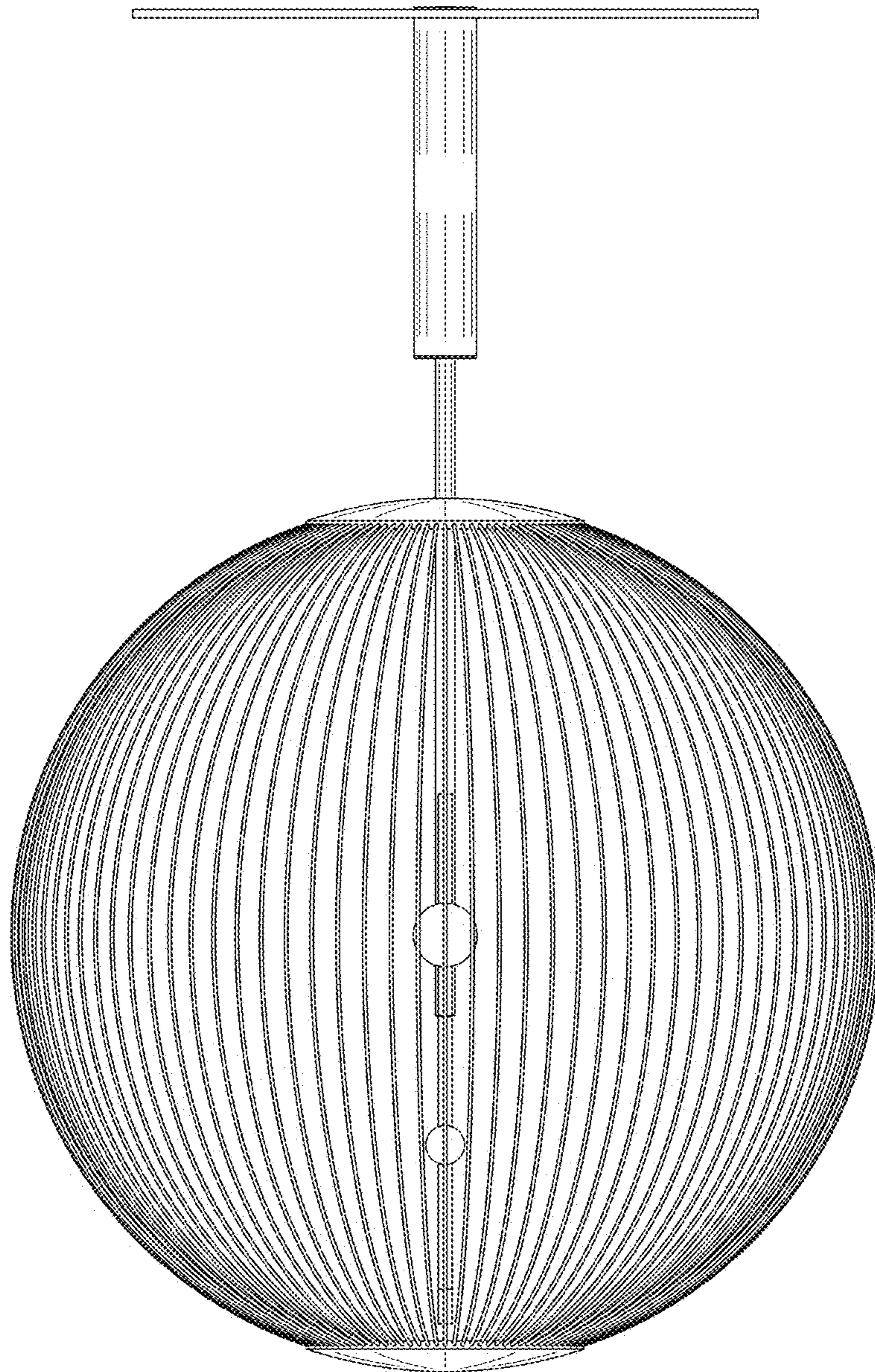


Fig.2

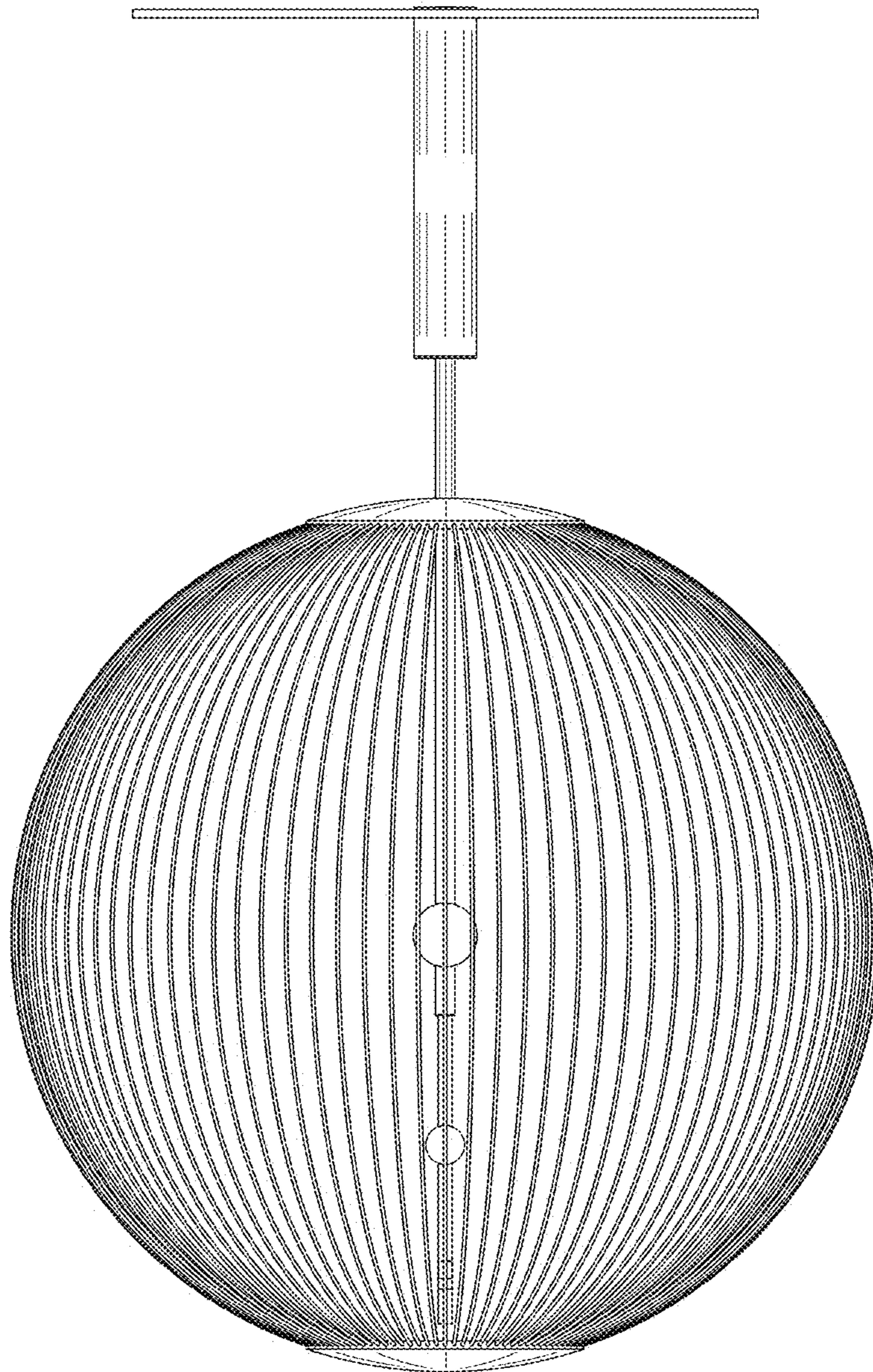


Fig.3

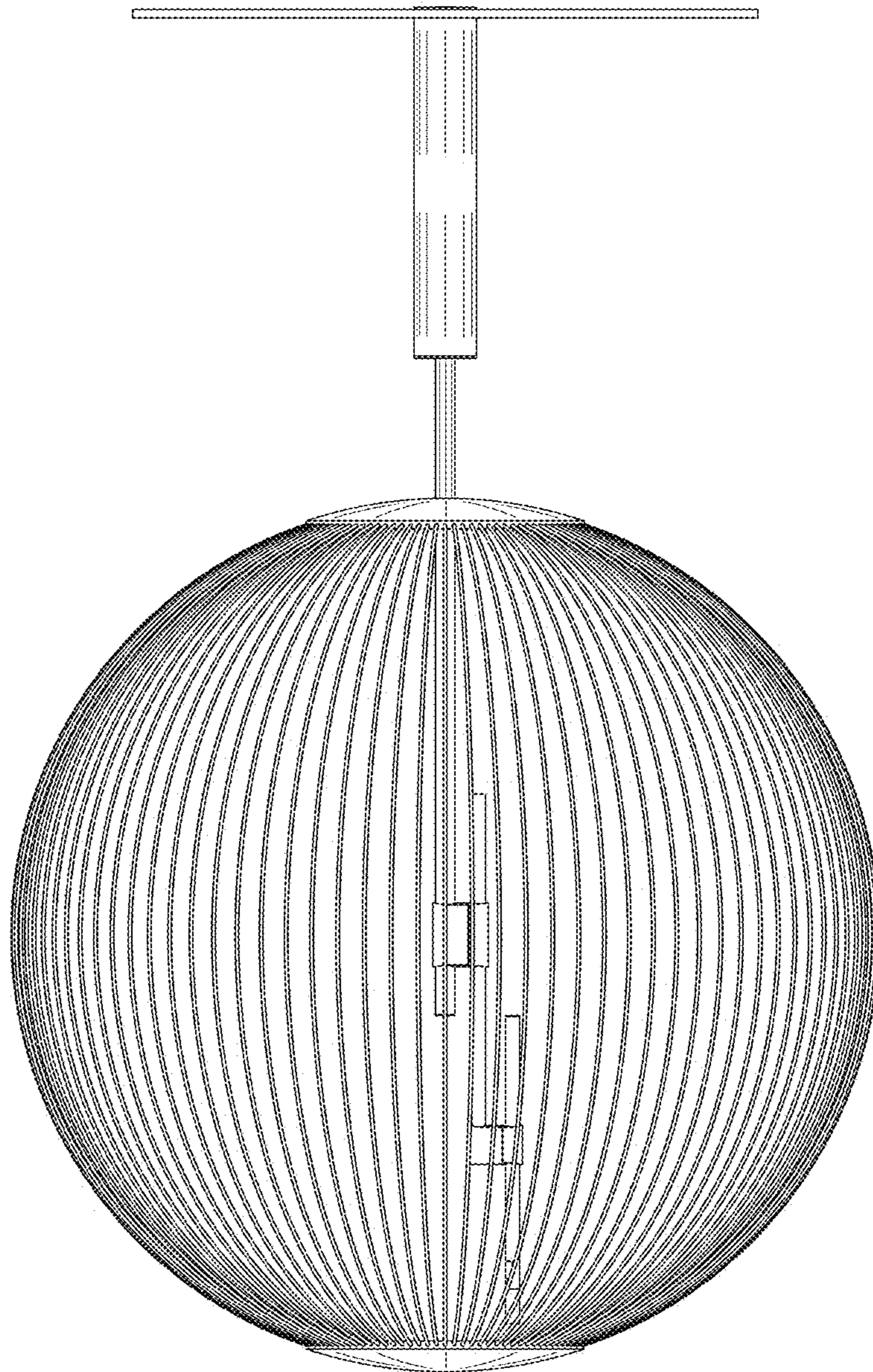


Fig.4

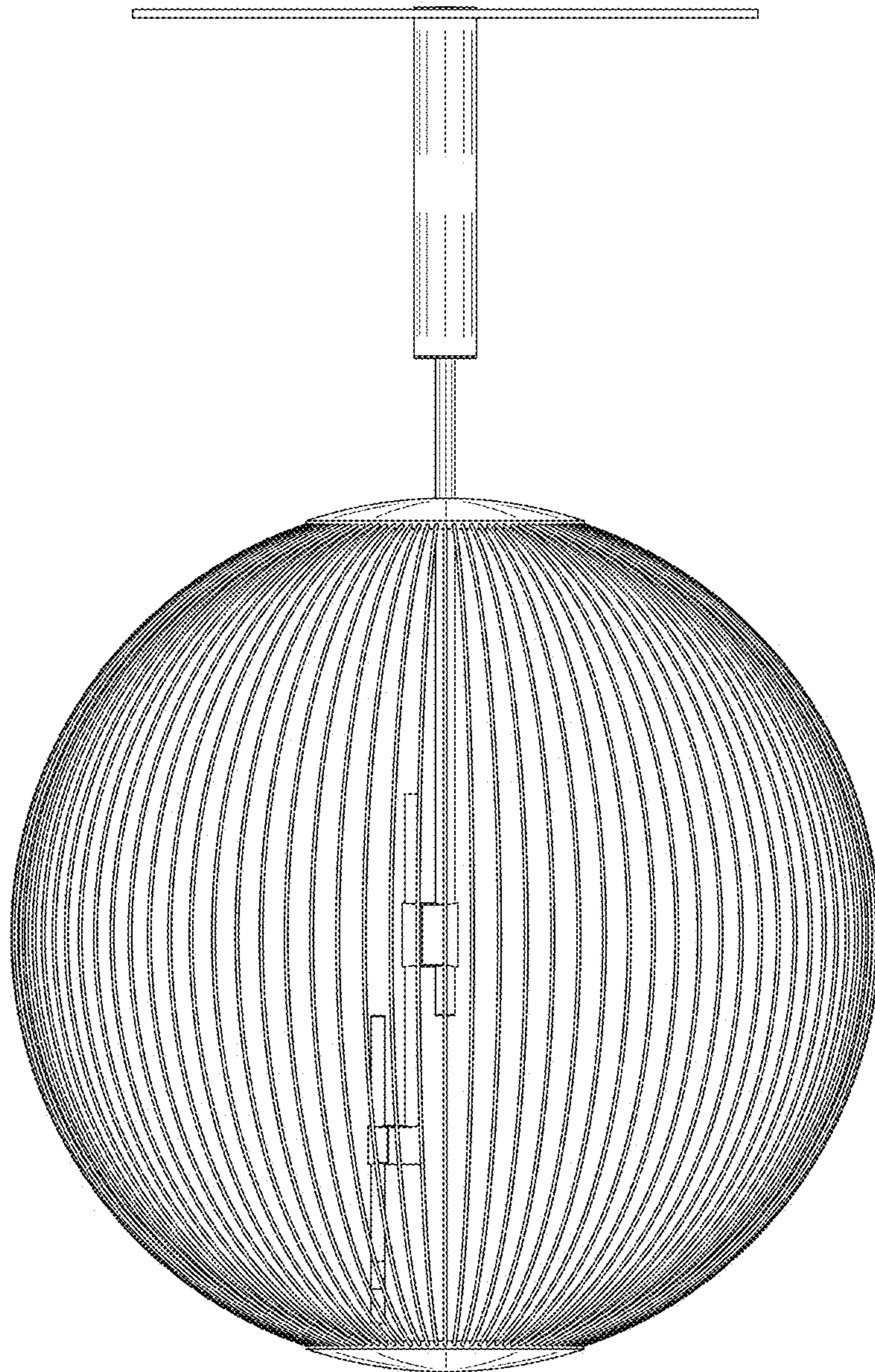


Fig.5

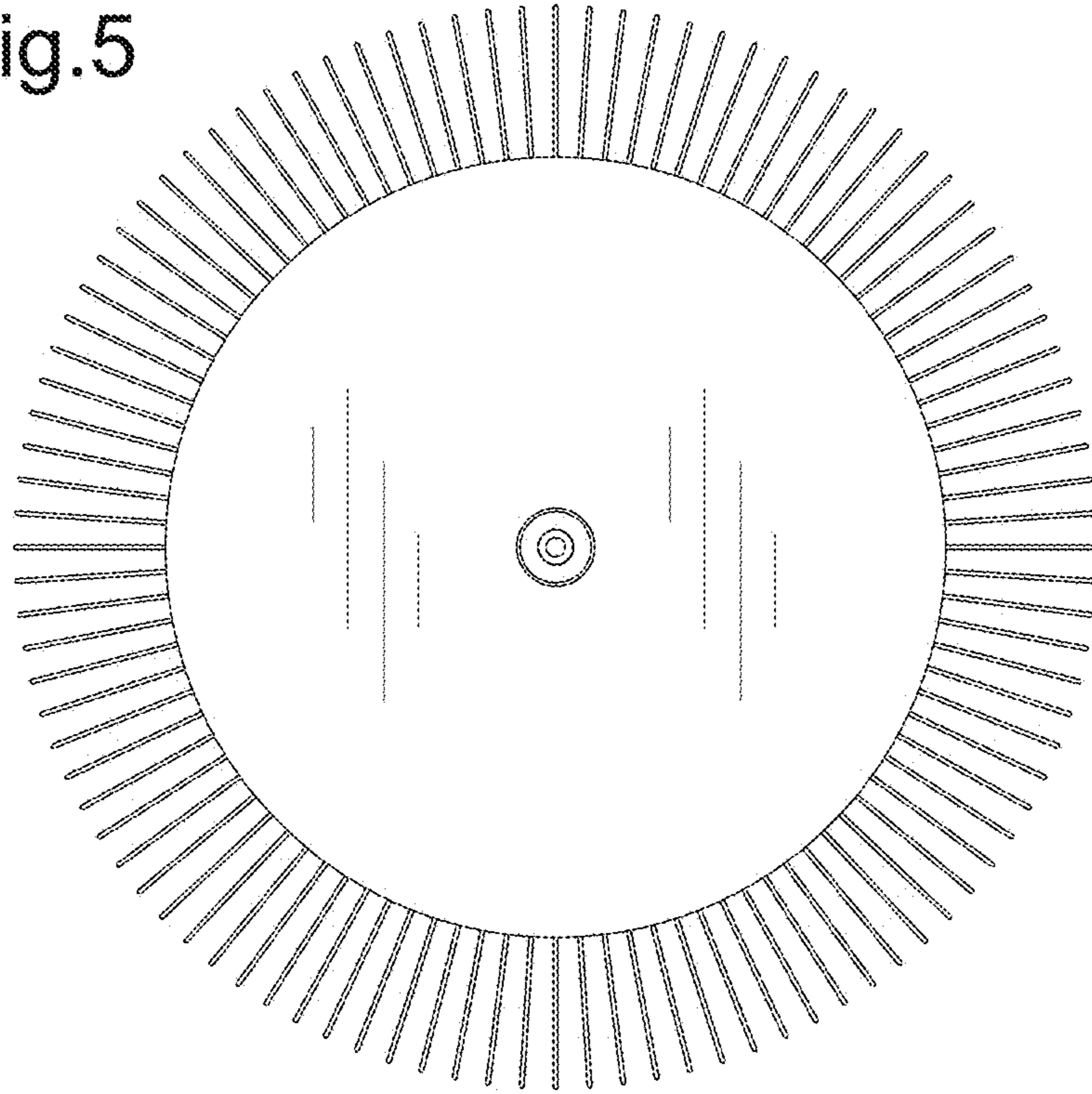


Fig.6

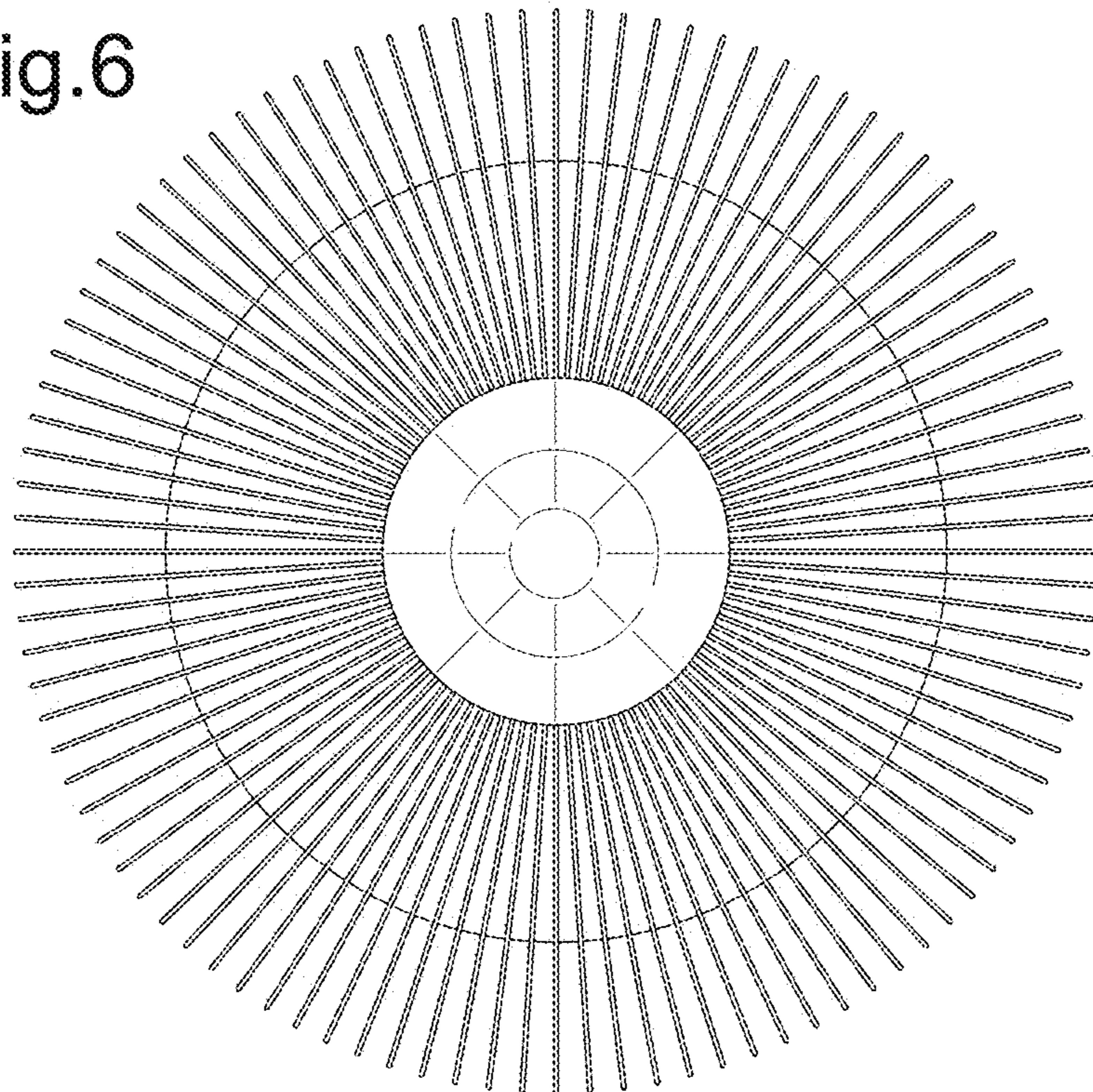


Fig.7

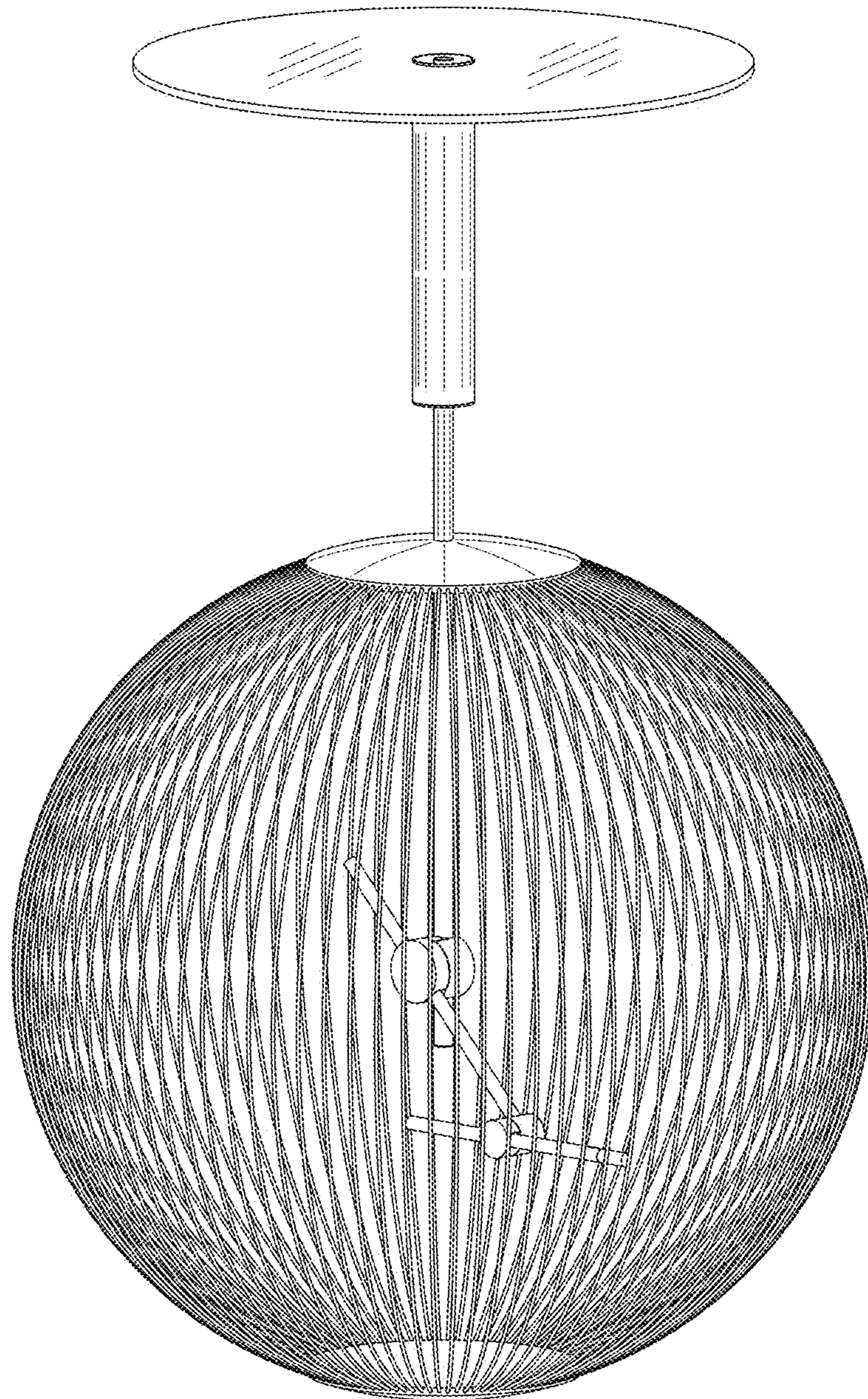


Fig.8

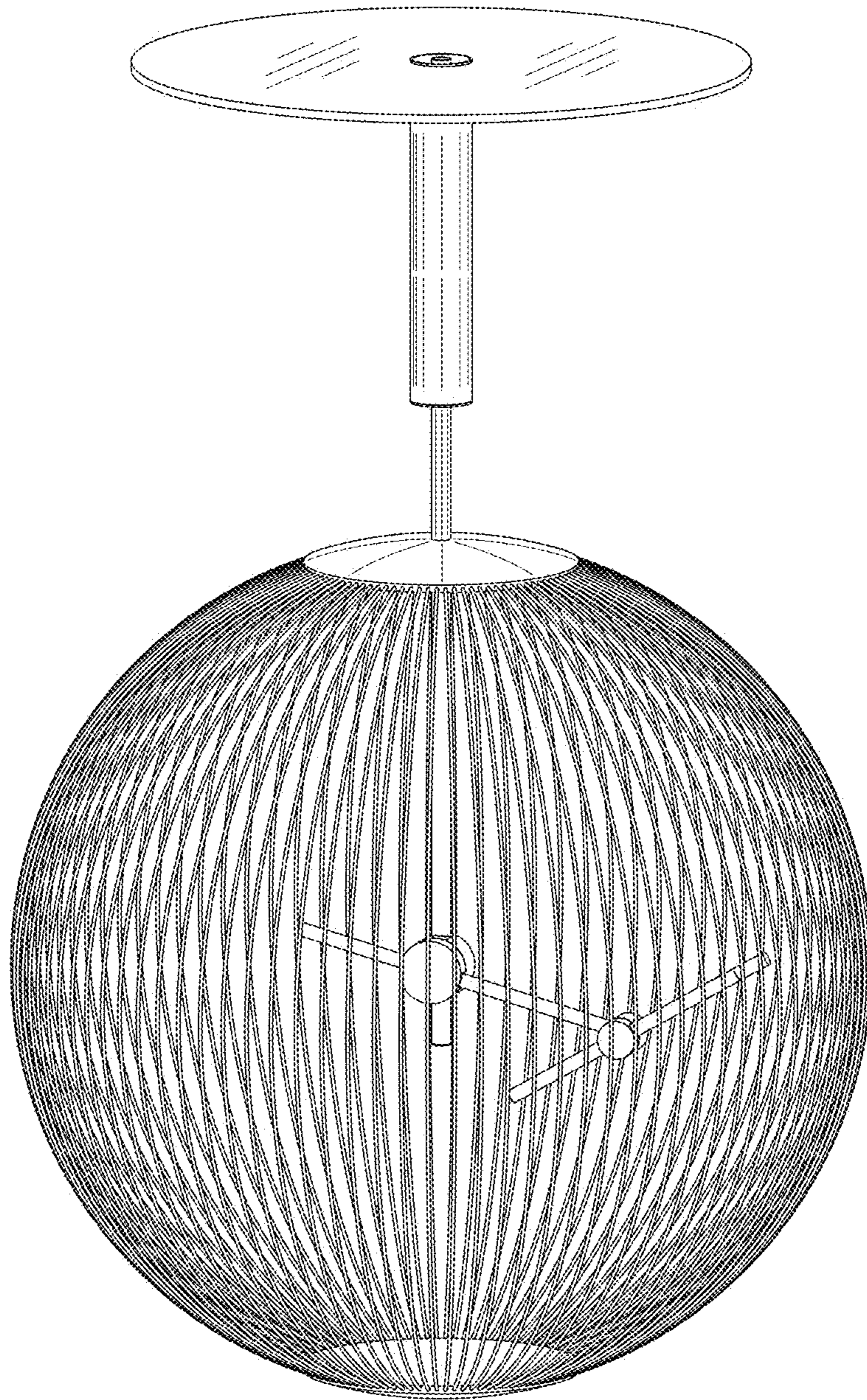


Fig.9

