



US00D948588S

(12) **United States Design Patent** (10) **Patent No.:** **US D948,588 S**
Li (45) **Date of Patent:** **** Apr. 12, 2022**

(54) **SEALING MACHINE**
(71) Applicant: **Yongkang Jile Arts & Crafts Co., Ltd., ZheJiang (CN)**
(72) Inventor: **Xucheng Li, Zhejiang (CN)**
(73) Assignee: **YONGKANG JILE ARTS & CRAFTS CO., LTD., Zhejiang (CN)**
(**) Term: **15 Years**
(21) Appl. No.: **29/765,115**
(22) Filed: **Jan. 6, 2021**
(51) **LOC (13) Cl.** **15-09**
(52) **U.S. Cl.**
USPC **D15/146**
(58) **Field of Classification Search**
USPC D15/145, 146; D18/50
CPC B23C 63/0065; B23C 63/0091; B23C 63/1018; B65B 31/046; B65B 31/047; B65B 31/048; B65B 51/10
See application file for complete search history.

(56) **References Cited**
U.S. PATENT DOCUMENTS
D302,102 S * 7/1989 Amagaya D8/105
5,352,323 A * 10/1994 Chi B65B 51/148
156/583.9
7,003,928 B2 * 2/2006 Patterson B65B 31/06
53/405
D579,034 S * 10/2008 Chang D15/146
D593,813 S * 6/2009 Yu D7/629
D602,966 S * 10/2009 Kiple D15/146
D686,649 S * 7/2013 Zhou D15/146
D763,334 S * 8/2016 Yoshitomi D15/146
D812,662 S * 3/2018 Chang D15/146
9,937,661 B2 * 4/2018 Chang B29C 66/43121
D823,913 S * 7/2018 Chou D15/146

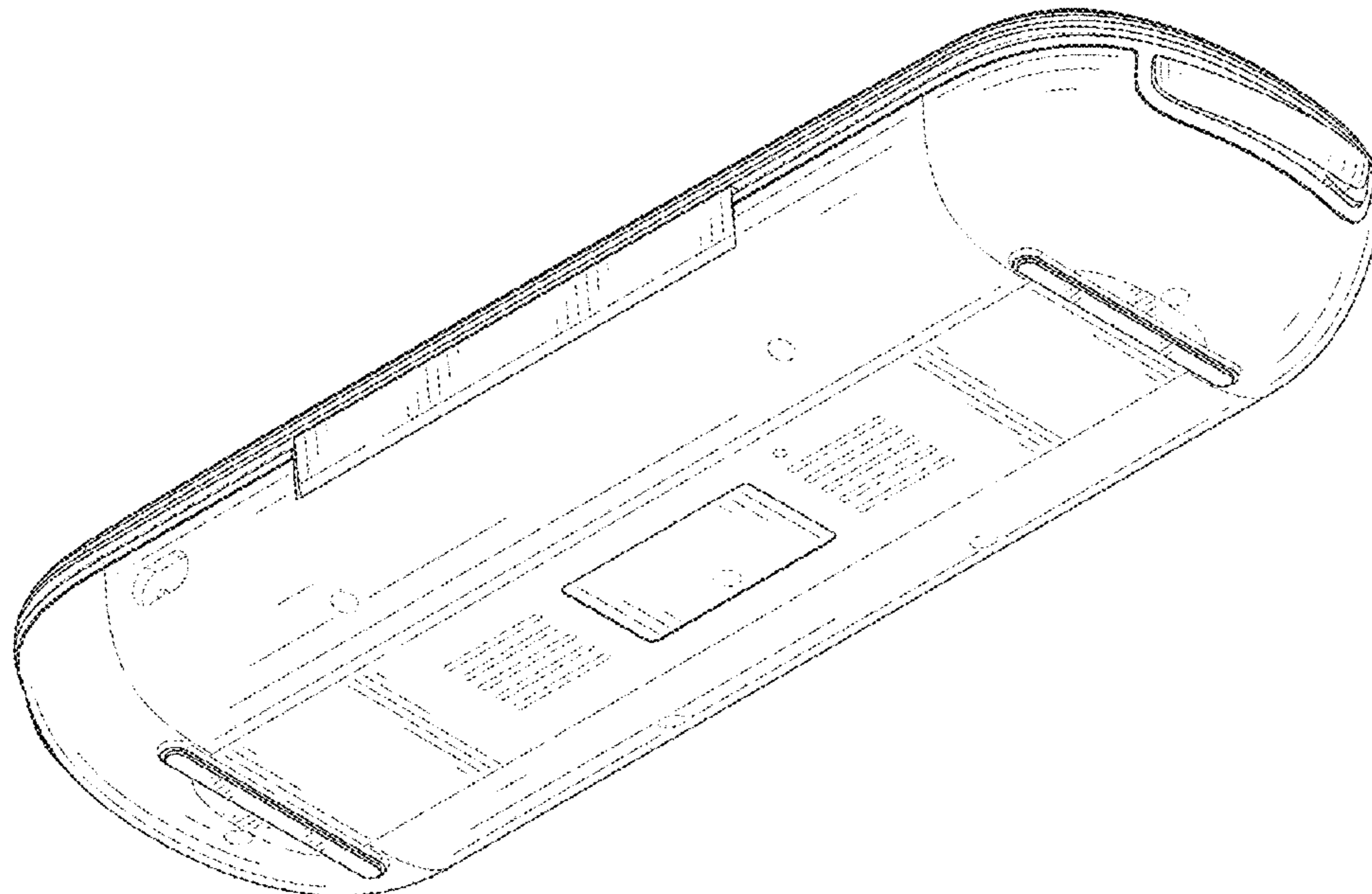
D845,370 S * 4/2019 Chang D15/146
D881,245 S * 4/2020 Zheng D15/146
D910,100 S * 2/2021 Qiu D15/146
D912,710 S * 3/2021 Choi D15/146
D912,712 S * 3/2021 Chen D15/146
D921,730 S * 6/2021 Chen D15/146
D939,601 S * 12/2021 Wang D15/146
2006/0254219 A1 * 11/2006 Alipour B29C 66/8618
53/434
2007/0193915 A1 * 8/2007 Shao B65D 81/2038
206/524.8
2009/0020230 A1 * 1/2009 Chang B26B 27/00
156/579
2019/0047733 A1 * 2/2019 Zheng B65B 51/10
* cited by examiner

Primary Examiner — Patricia A Palasik
(74) *Attorney, Agent, or Firm* — Mark M. Friedman

(57) **CLAIM**
The ornamental design for a sealing machine, as shown and described.

DESCRIPTION
FIG. 1 is a bottom perspective view of a sealing machine showing my new design;
FIG. 2 is a top perspective view thereof;
FIG. 3 is a front view thereof;
FIG. 4 is a left side view thereof;
FIG. 5 is a right side view thereof;
FIG. 6 is a top view thereof;
FIG. 7 is a bottom view thereof;
FIG. 8 is a rear view thereof; and,
FIG. 9 is an enlarged view of detail A taken from FIG. 2.
The uneven broken lines encircling and referencing enlargements form no part of the claimed design; and the even broken line illustrations in the drawings depict portions of the sealing machine that form no part of the claimed design.

1 Claim, 9 Drawing Sheets



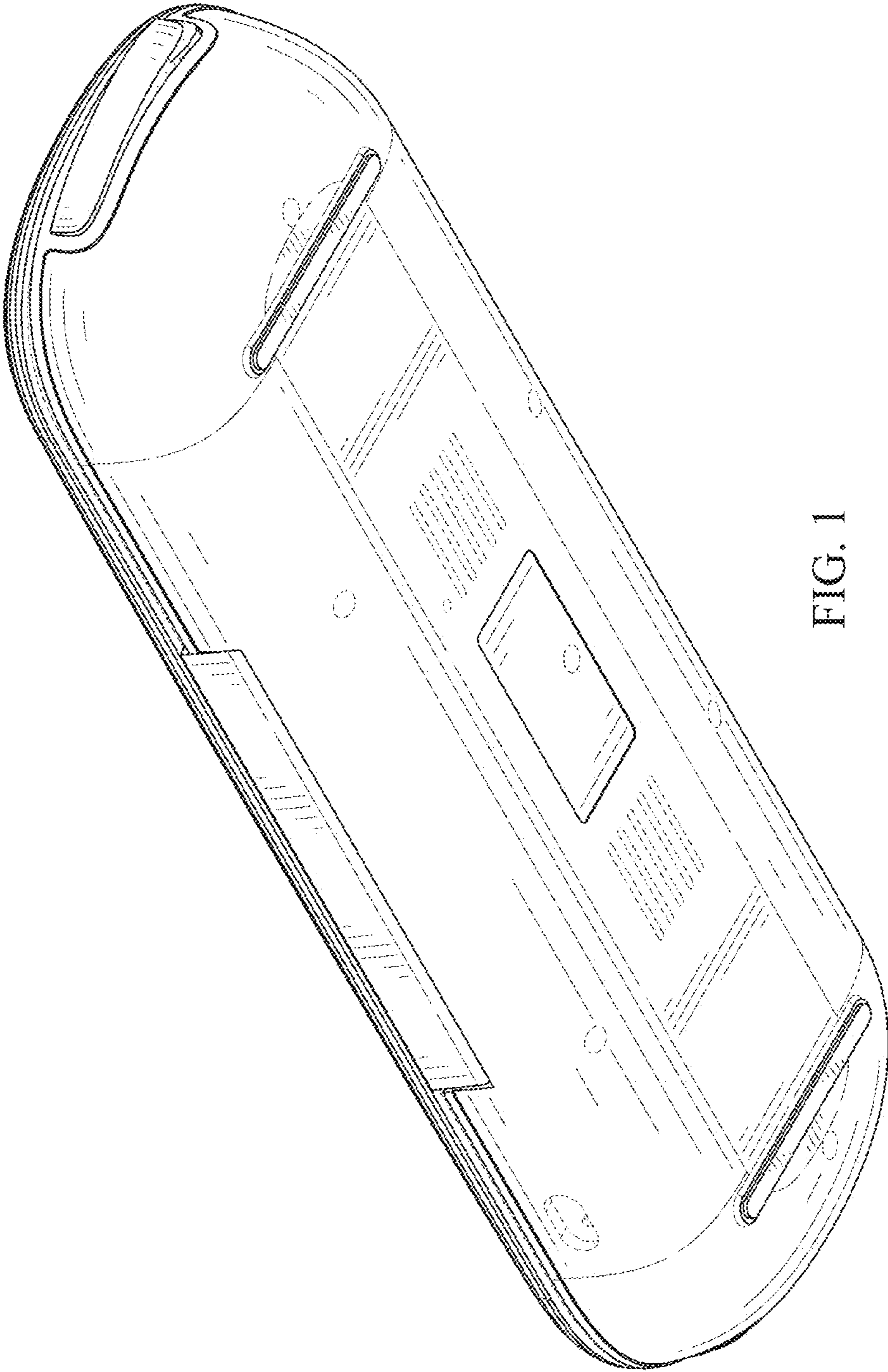


FIG. 1

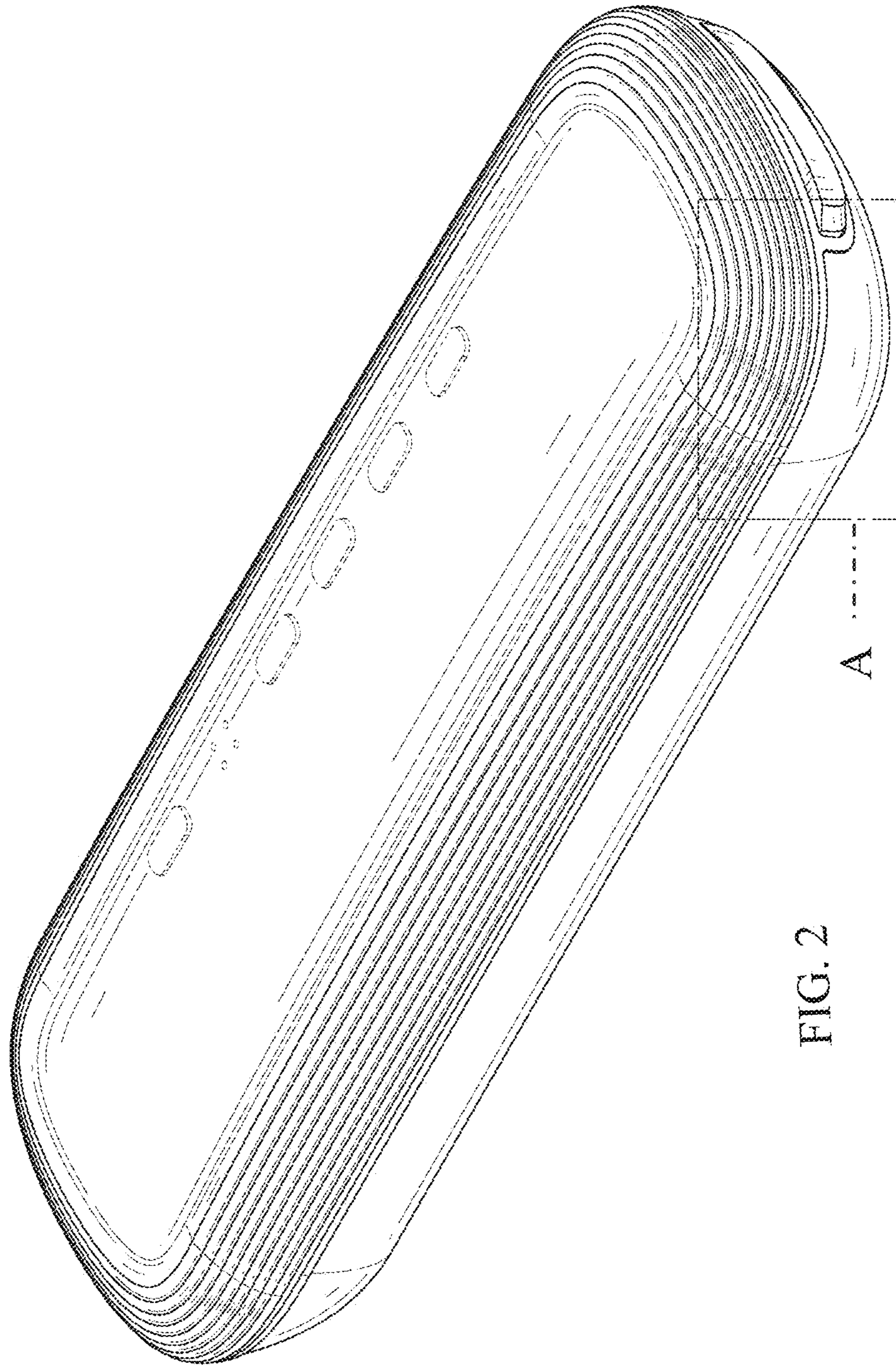


FIG. 2

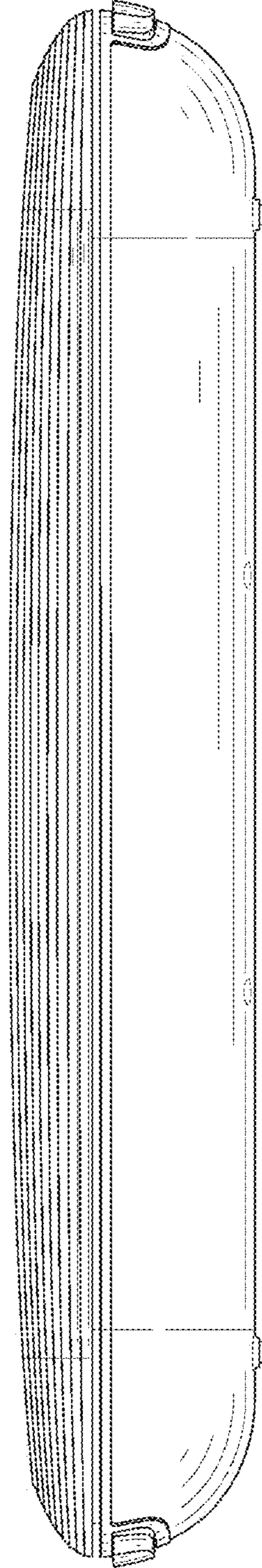


FIG. 3

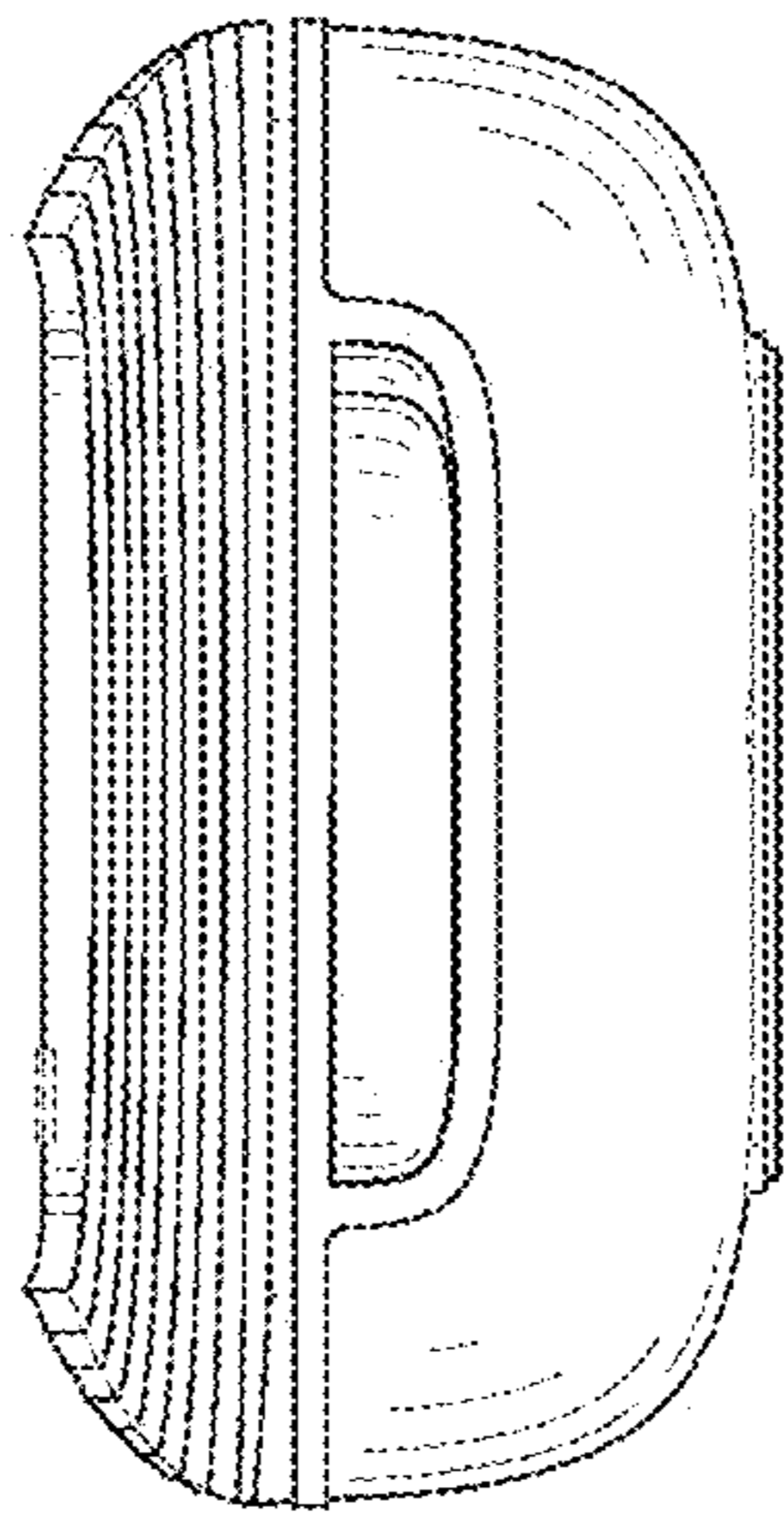


FIG. 4

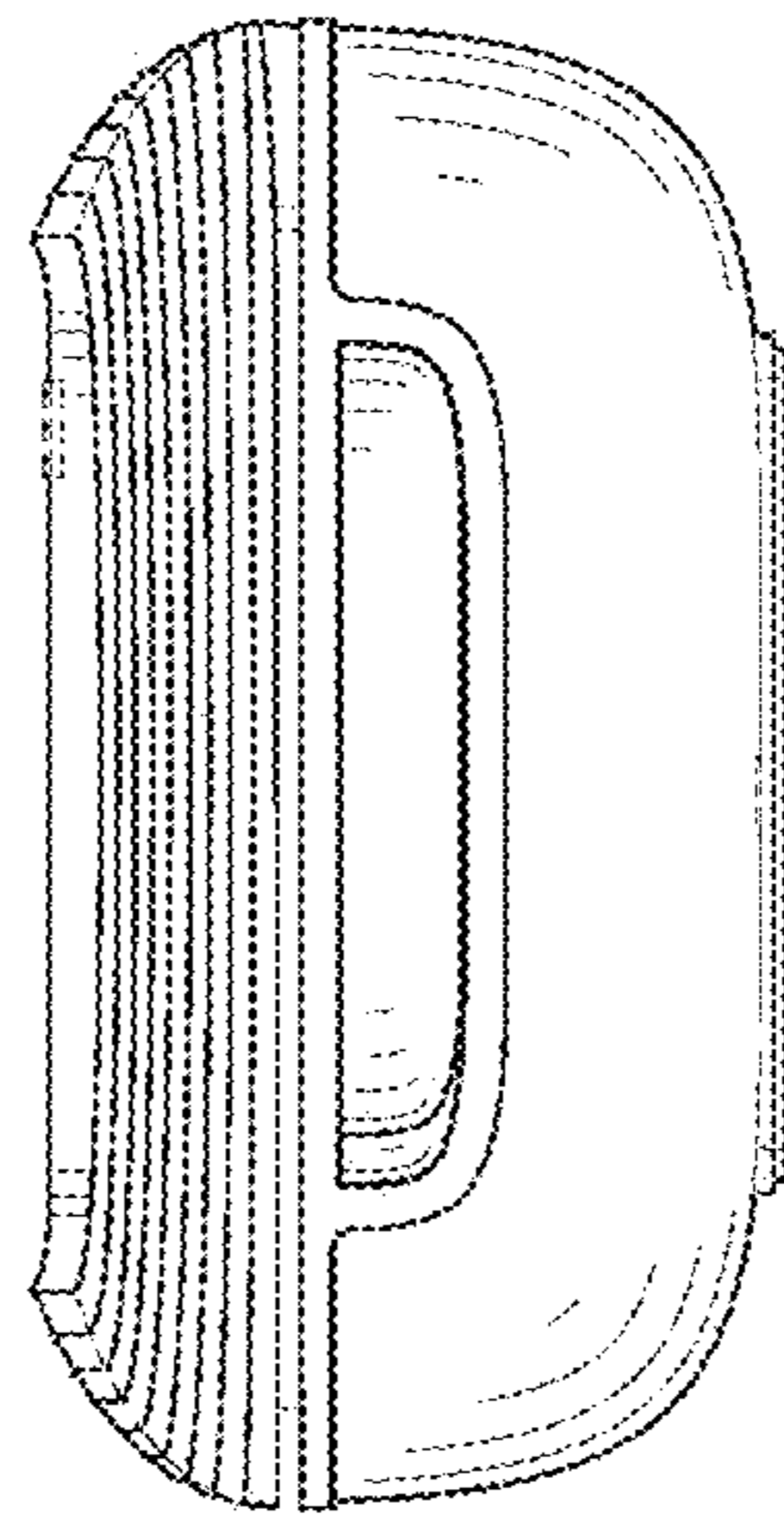


FIG. 5

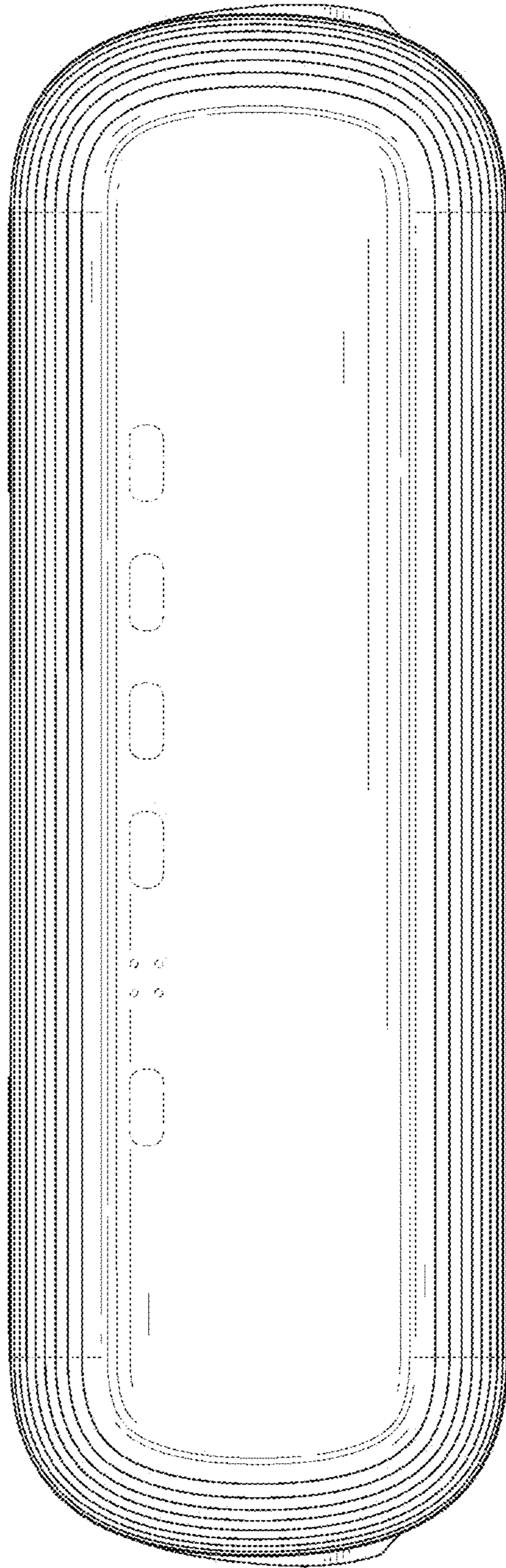


FIG. 6

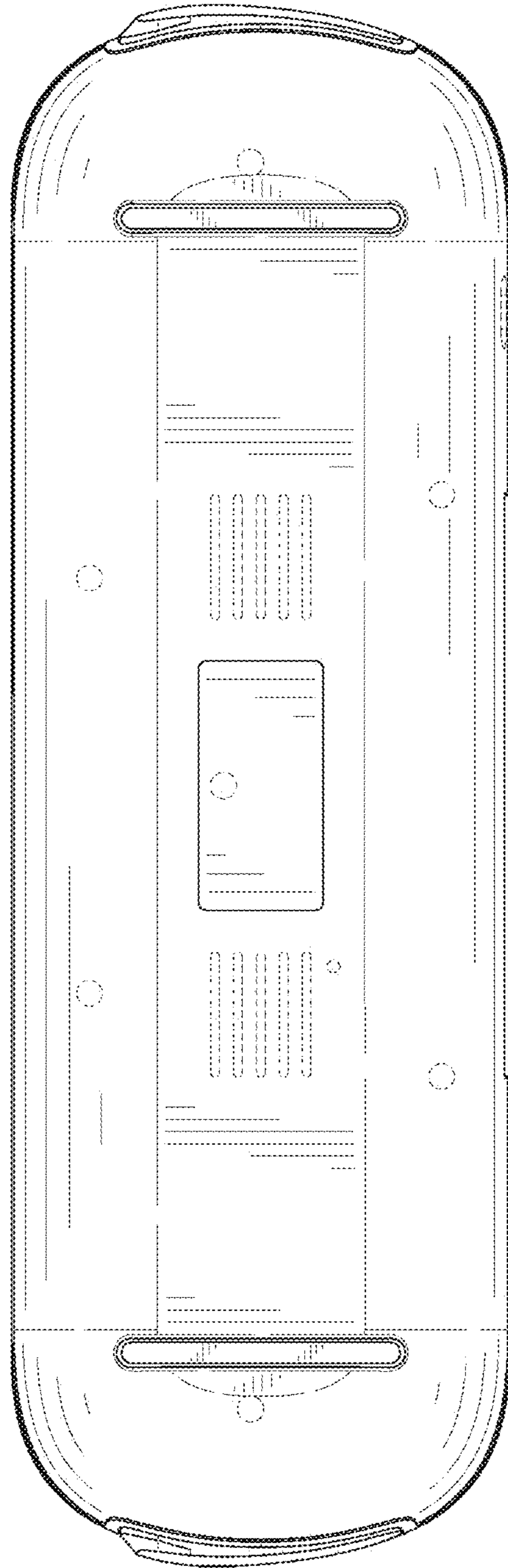


FIG. 7

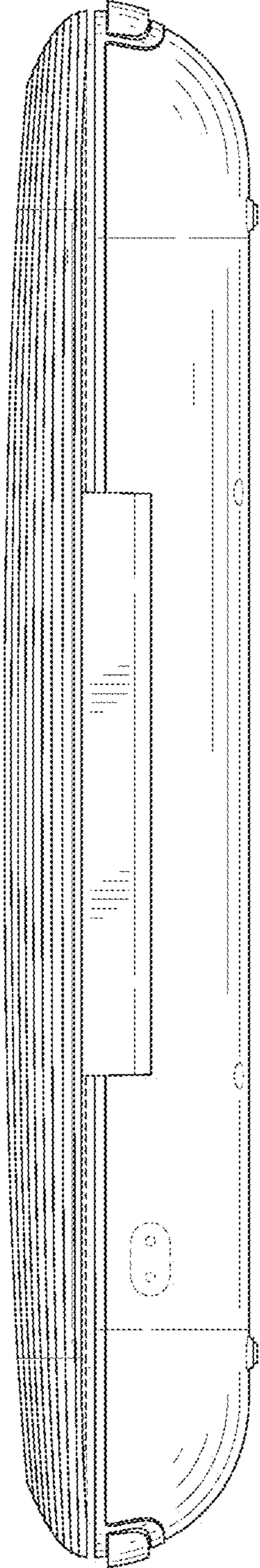


FIG. 8

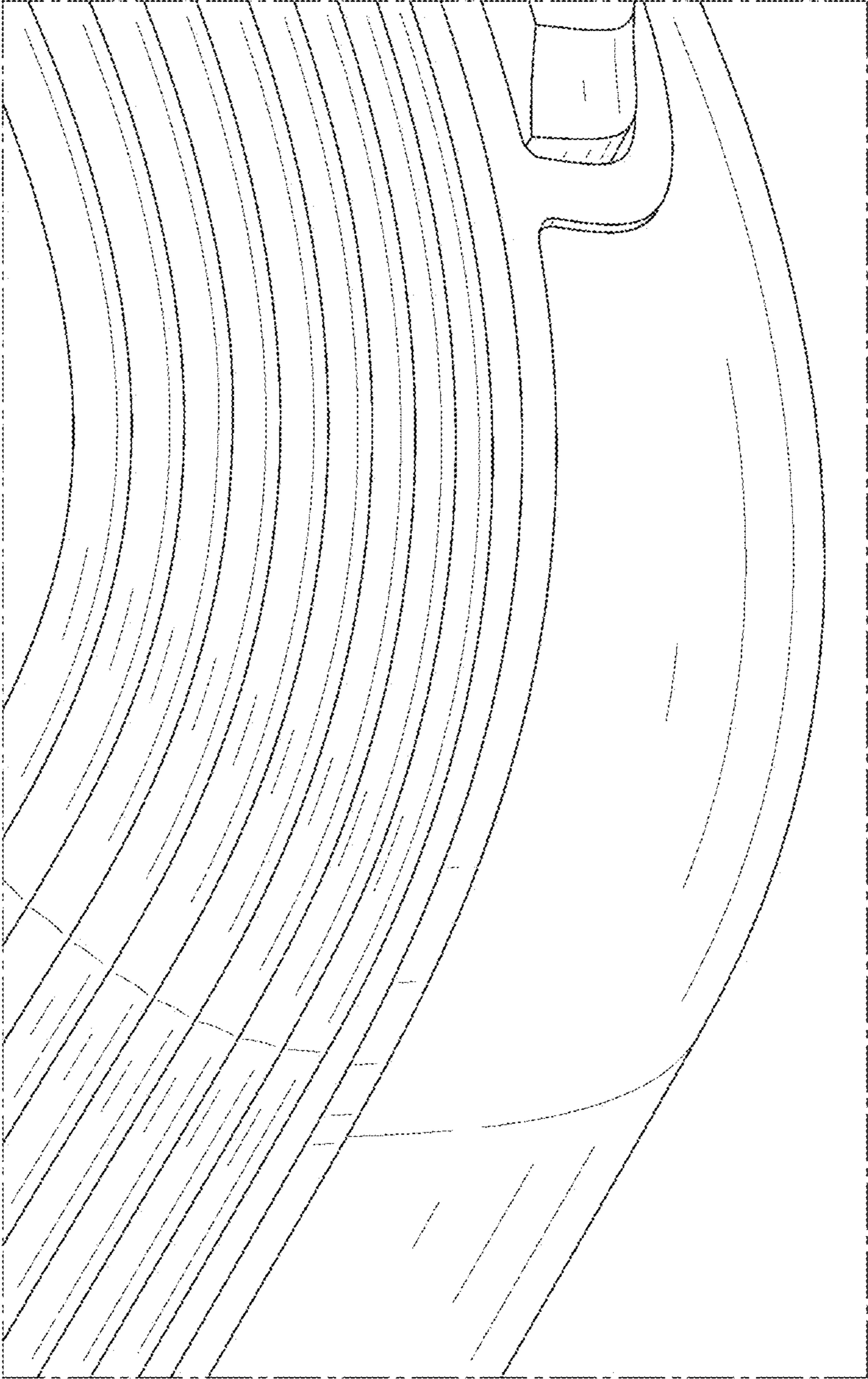


FIG. 9