



US00D948586S

(12) **United States Design Patent** (10) **Patent No.:** **US D948,586 S**
Dvorak et al. (45) **Date of Patent:** **** Apr. 12, 2022**

(54) **COVER PLATE**

(56) **References Cited**

(71) Applicant: **DANFOSS POWER SOLUTIONS INC.**, Ames, IA (US)
(72) Inventors: **Charlie Dvorak**, Nordborg (DK); **Wondimagegn Diress**, Nordborg (DK); **Pavol Balco**, Nordborg (DK); **Jeffrey C. Hansell**, Nordborg (DK)
(73) Assignee: **Danfoss Power Solutions Inc.**, Ames, IA (US)
(**) Term: **15 Years**
(21) Appl. No.: **29/716,505**
(22) Filed: **Dec. 10, 2019**

U.S. PATENT DOCUMENTS
D164,606 S * 9/1951 Schlage D8/352
2,577,319 A * 12/1951 Feitl F16B 21/20
411/521
2,713,482 A * 7/1955 Stapleton F16B 43/00
267/162
D269,852 S * 7/1983 Frieberg D8/399
4,795,166 A * 1/1989 Irmeler F01N 13/16
277/314
4,865,500 A * 9/1989 Duran F16B 5/0208
411/103
D327,246 S * 6/1992 Beckerer, Jr. D12/317
D367,023 S * 2/1996 Benson D12/126
D374,286 S * 10/1996 Goble D24/145
5,709,516 A * 1/1998 Peterson F01D 25/243
267/162
D403,750 S * 1/1999 Fabian D23/254
D460,684 S * 7/2002 Liao D8/399
D460,685 S * 7/2002 Liao D8/399

(Continued)

Related U.S. Application Data

(63) Continuation of application No. 16/705,972, filed on Dec. 6, 2019.
(51) **LOC (13) Cl.** **15-09**
(52) **U.S. Cl.**
USPC **D15/143**; D12/180; D8/354
(58) **Field of Classification Search**
USPC D8/367, 356, 354, 349, 18, 105, 366, D8/368; D12/14, 106, 114, 118, 122, D12/160, 161, 162, 179, 180, 207, 217, D12/400; D13/122; D15/7, 138, 143
CPC F04B 1/122; F04B 1/2085; F04B 53/16; F16C 19/364; F16C 19/384; F16C 19/386; F16C 23/084; F16C 27/04; F16C 33/605; F16C 33/723; F16C 33/7813; F16C 33/7886; F16C 35/067; F16C 35/077; F16C 43/04; F16C 2326/02; F16C 2360/00; F16C 2360/42
See application file for complete search history.

FOREIGN PATENT DOCUMENTS

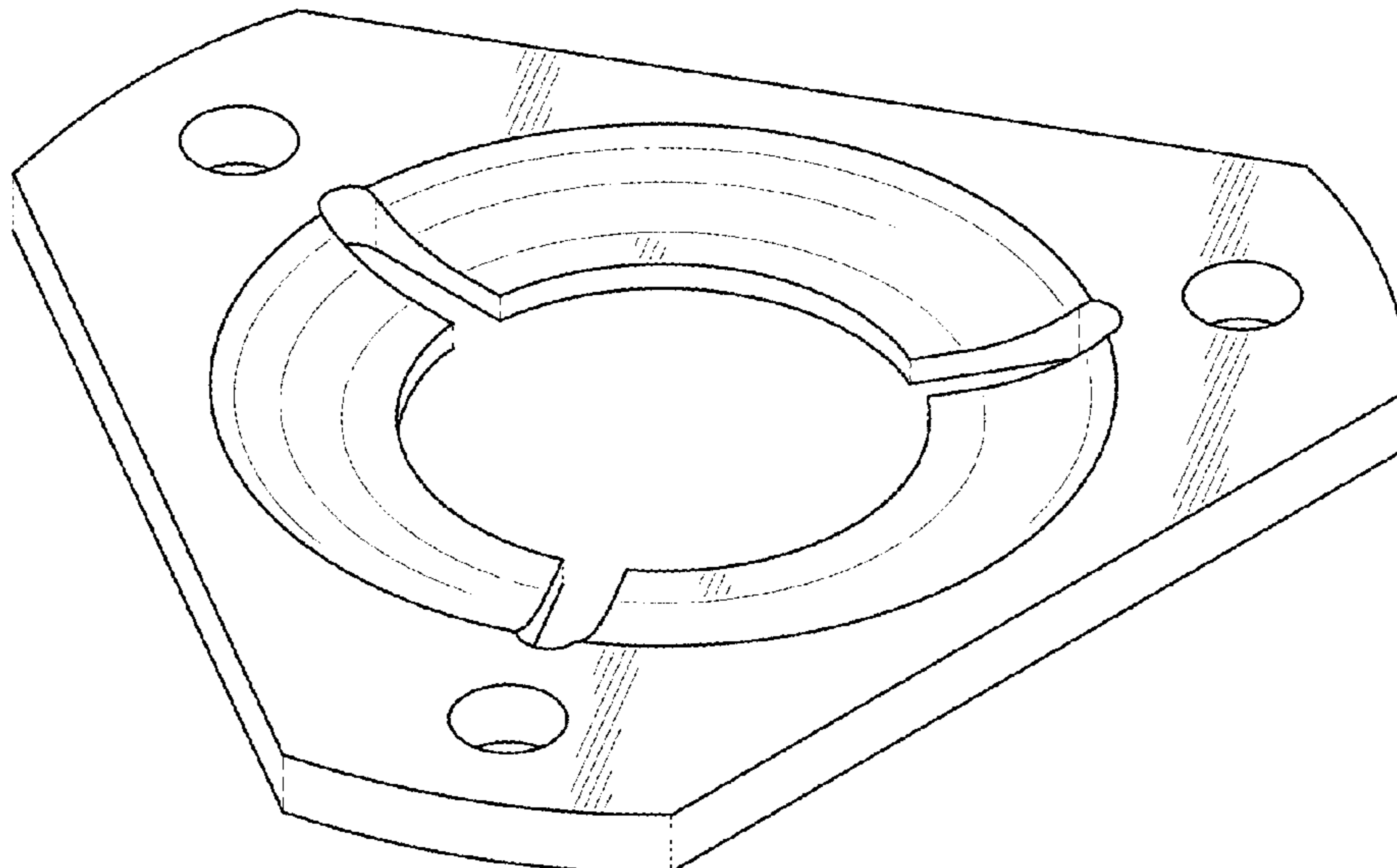
WO WO-2019211100 A1 * 11/2019 F03C 1/0647
Primary Examiner — Patricia A Palasik
(74) *Attorney, Agent, or Firm* — Zarley Law Firm, P.L.C.

(57) **CLAIM**
The ornamental design for a cover plate, as shown and described.

DESCRIPTION

FIG. 1 is a top perspective view of a cover plate;
FIG. 2 is a front view of a cover plate;
FIG. 3 is a back view of a cover plate;
FIG. 4 is a right side view of a cover plate;
FIG. 5 is a left side view of a cover plate;
FIG. 6 is a top view of a cover plate; and,
FIG. 7 is a bottom view of a cover plate.
The broken lines in the drawings depict portions of the cover plate which form no part of the claimed design.

1 Claim, 7 Drawing Sheets



(56)

References Cited

U.S. PATENT DOCUMENTS

6,464,226 B1 * 10/2002 Kephart A63B 67/06
273/401
6,976,816 B2 * 12/2005 Slesinski F16B 39/103
411/120
D651,062 S * 12/2011 Wackwitz D8/70
D669,754 S * 10/2012 Wackwitz D8/70
9,206,902 B2 * 12/2015 Strydom F16L 23/18
D749,708 S * 2/2016 Smith D23/269
D755,038 S * 5/2016 Bolton D8/352
D782,945 S * 4/2017 Stuckey D12/180
D790,323 S * 6/2017 Fuglsang D8/354
D814,267 S * 4/2018 Verbowski D8/354
10,497,992 B2 * 12/2019 Lee H01M 10/052
D934,141 S * 10/2021 Dvorak F16C 19/386
D12/180

* cited by examiner

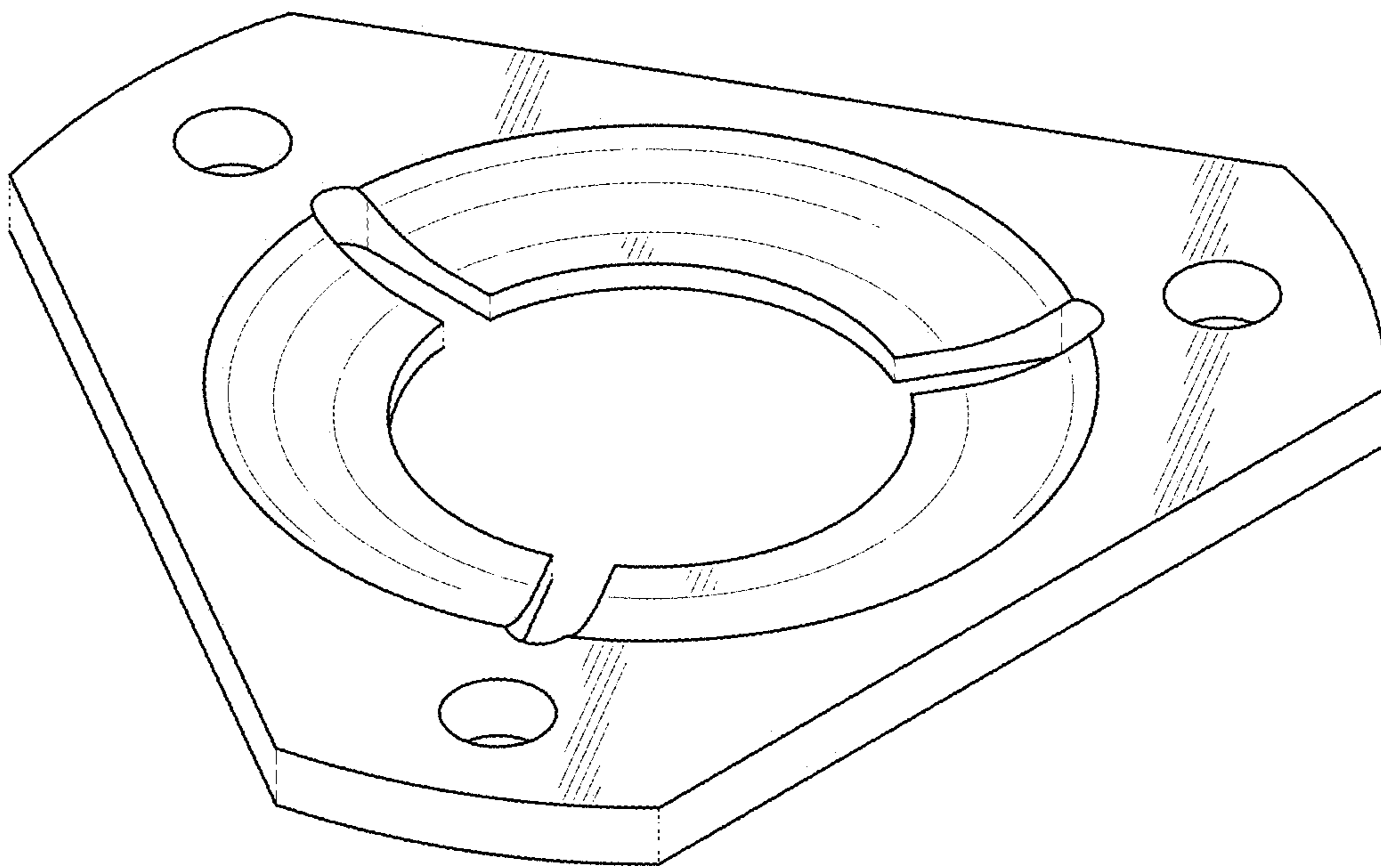


FIG. 1



FIG. 2



FIG. 3



FIG. 4



FIG. 5

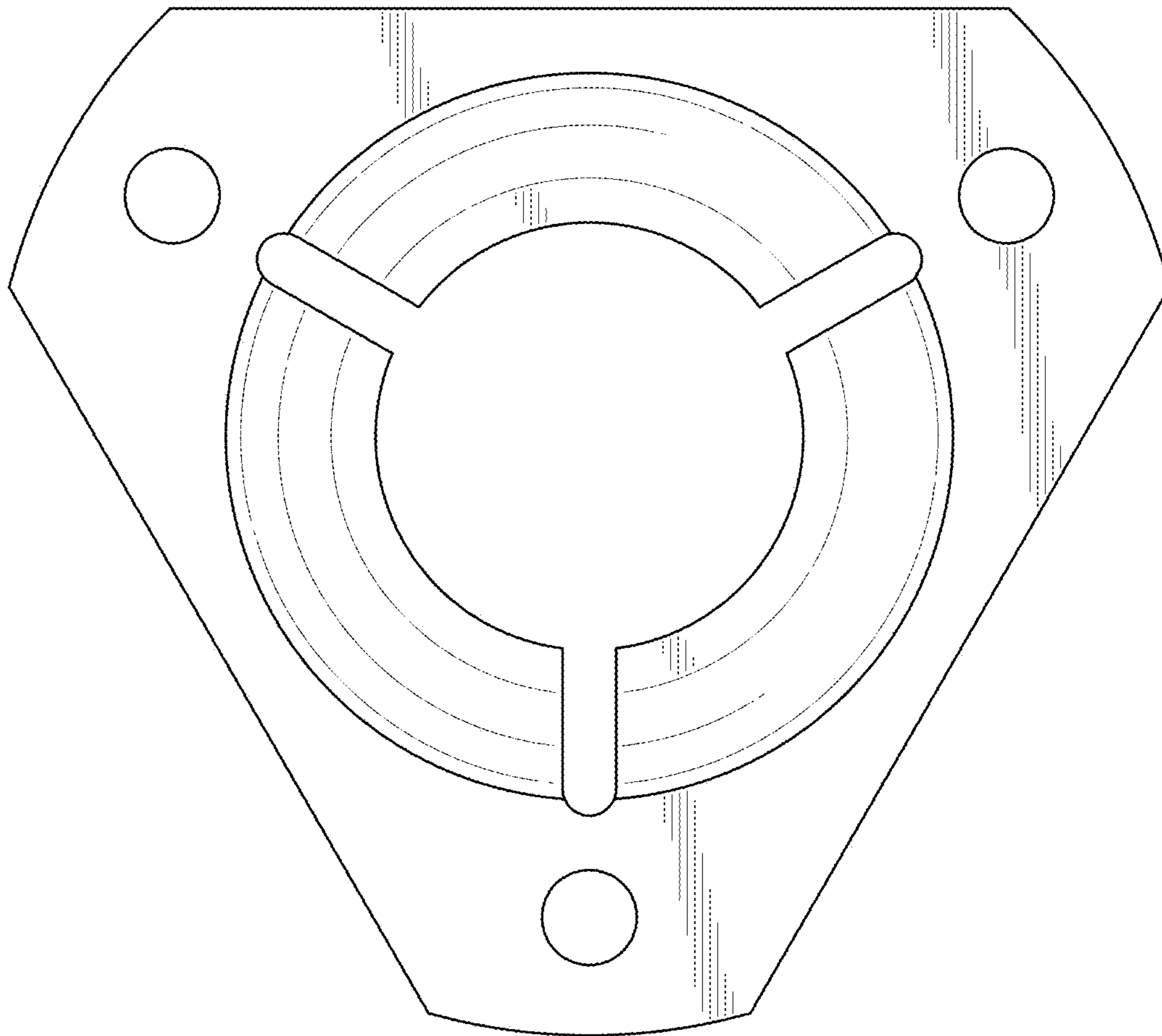


FIG. 6

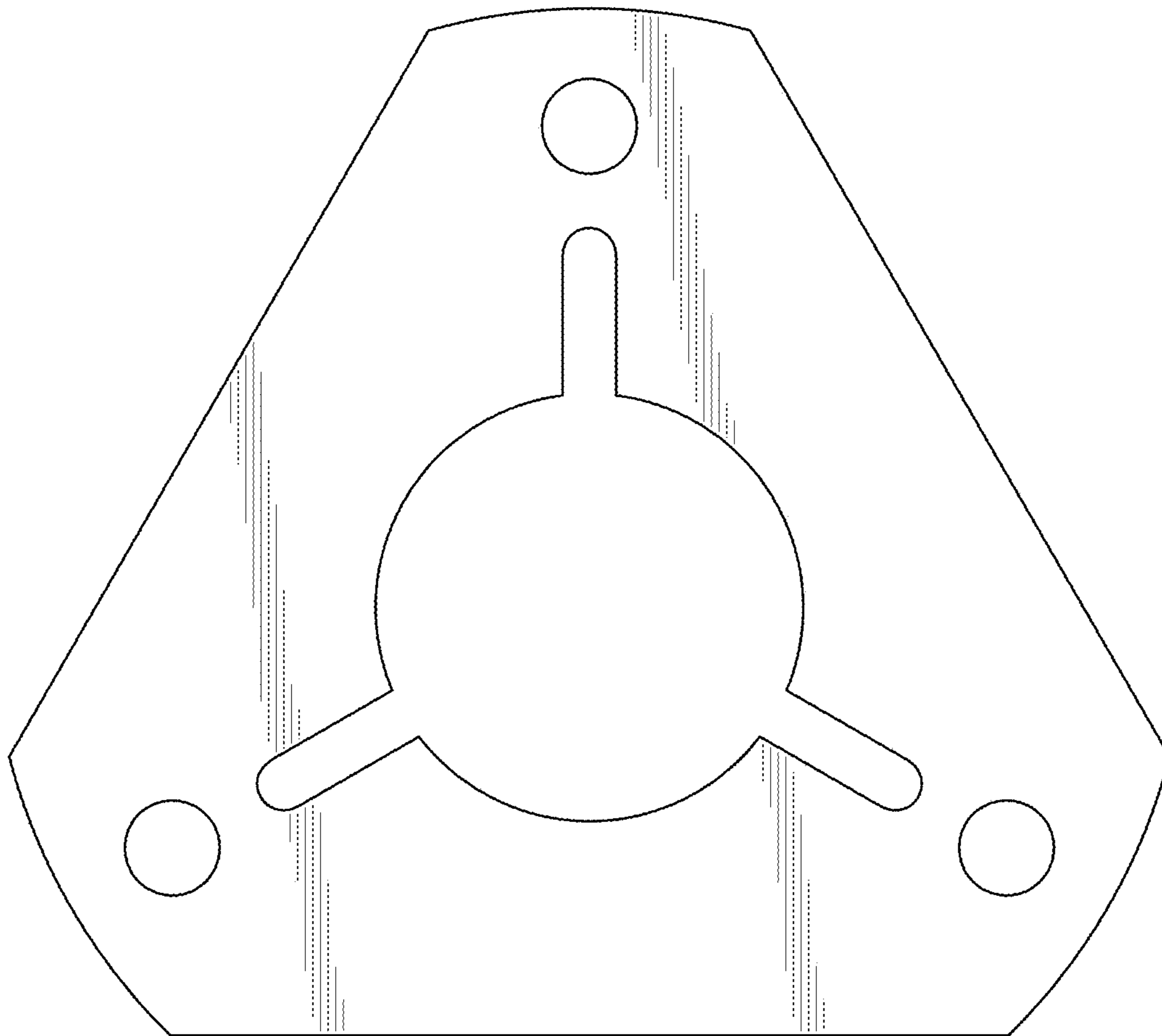


FIG. 7