



US00D948582S

(12) **United States Design Patent** (10) **Patent No.:** **US D948,582 S**
Zhu (45) **Date of Patent:** **** Apr. 12, 2022**

(54) **FABRIC SHAVER**
(71) Applicant: **Ningbo Elmar Electric Manufacture Co., Ltd., Zhejiang (CN)**
(72) Inventor: **Jinping Zhu, Zhejiang (CN)**
(**) Term: **15 Years**
(21) Appl. No.: **29/707,577**
(22) Filed: **Sep. 30, 2019**
(51) **LOC (13) Cl.** **15-06**
(52) **U.S. Cl.**
USPC **D15/77**
(58) **Field of Classification Search**
USPC D3/18, 20, 28, 23, 24, 26; D15/66, 67, D15/68, 69, 70, 71, 72, 73, 74, 75, 76, D15/77, 78
CPC D05B 85/00; D05B 85/02; D03D 27/10; D03D 39/16
See application file for complete search history.

D916,373 S * 4/2021 McKinnis D28/50
D931,536 S * 9/2021 Li D28/50
D936,288 S * 11/2021 Zou D28/50

OTHER PUBLICATIONS

“How to use a Pilo Fabric Shaver” [online], steameryofficial. [Published on Aug. 4, 2020], Retrieved from the Internet: <<https://www.youtube.com/watch?v=y2cRE6EP5y4>>.*
“Enteenly Fabric Shaver, Rechargeable Sweater Defuzzerwith Replaceable Stainless Steel Blades & Lint Brush, LED Light, Battery Operated, Remove Clothes Fuzz, Lint Balls, Pills” [online], Enteenly. [Product first available on May 21, 2021], Retrieved from the Internet: <<https://www.amazon.com/dp/B092L7Z5RP/>>.*

* cited by examiner

Primary Examiner — Mojtaba Tehrani
(74) *Attorney, Agent, or Firm* — Prakash Nama; Global IP Services, PLLC

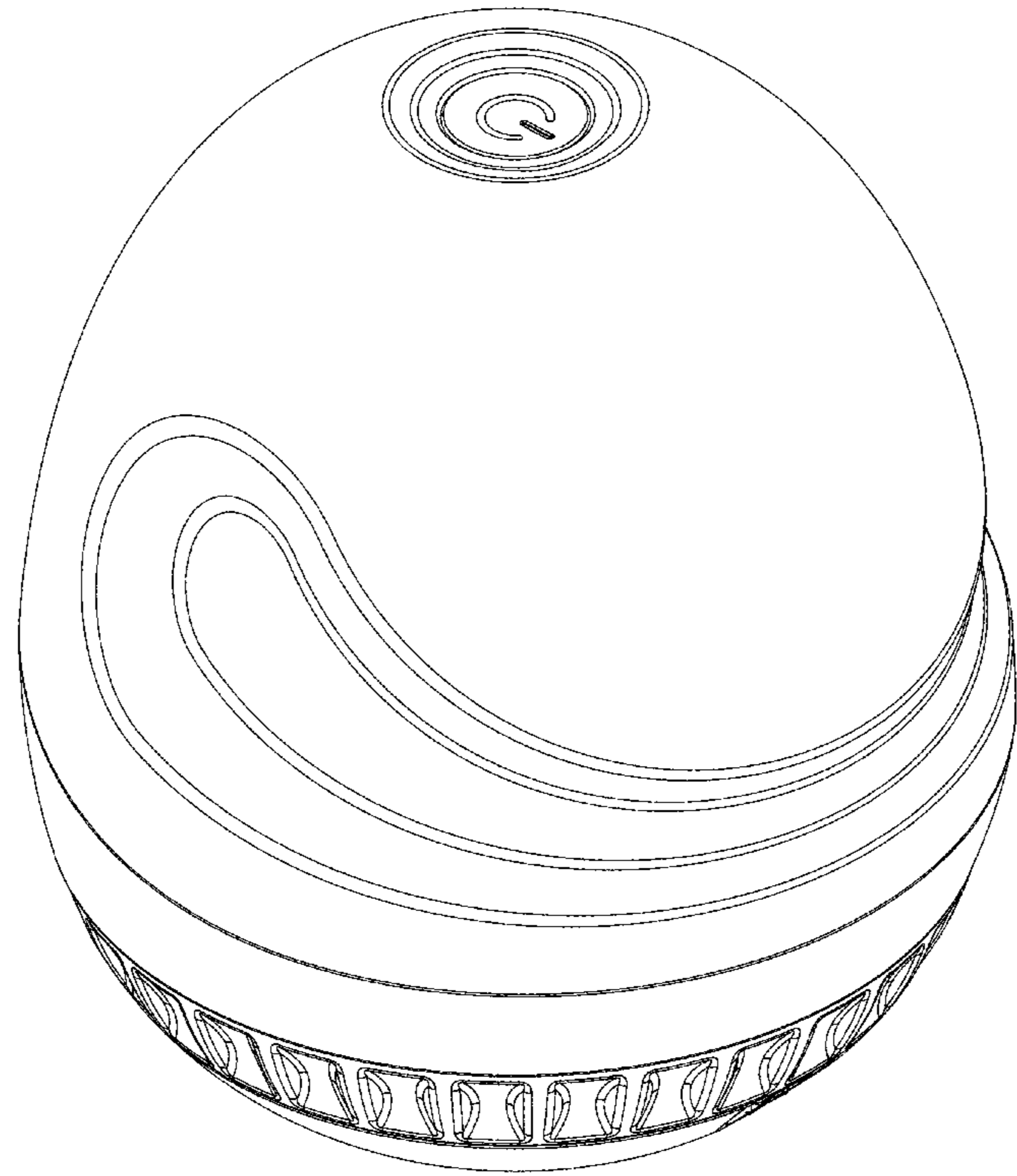
(57) **CLAIM**
The ornamental design for a fabric shaver, as shown and described.

DESCRIPTION

FIG. 1 is a front elevational view of a fabric shaver showing my new design;
FIG. 2 is a rear elevational view thereof;
FIG. 3 is a left side view thereof;
FIG. 4 is a right side view thereof;
FIG. 5 is a top plan view thereof;
FIG. 6 is a bottom plan view thereof; and,
FIG. 7 is a perspective view thereof.

1 Claim, 7 Drawing Sheets

(56) **References Cited**
U.S. PATENT DOCUMENTS
389,683 A * 9/1888 Austin D04B 17/00 223/100
D113,351 S * 2/1939 Reichart D3/20
D459,028 S * 6/2002 Hsu D28/50
D671,267 S * 11/2012 Hsu D28/50
D841,243 S * 2/2019 Hsu D28/50
D841,244 S * 2/2019 Hsu D28/50
D877,985 S * 3/2020 Wei D28/50



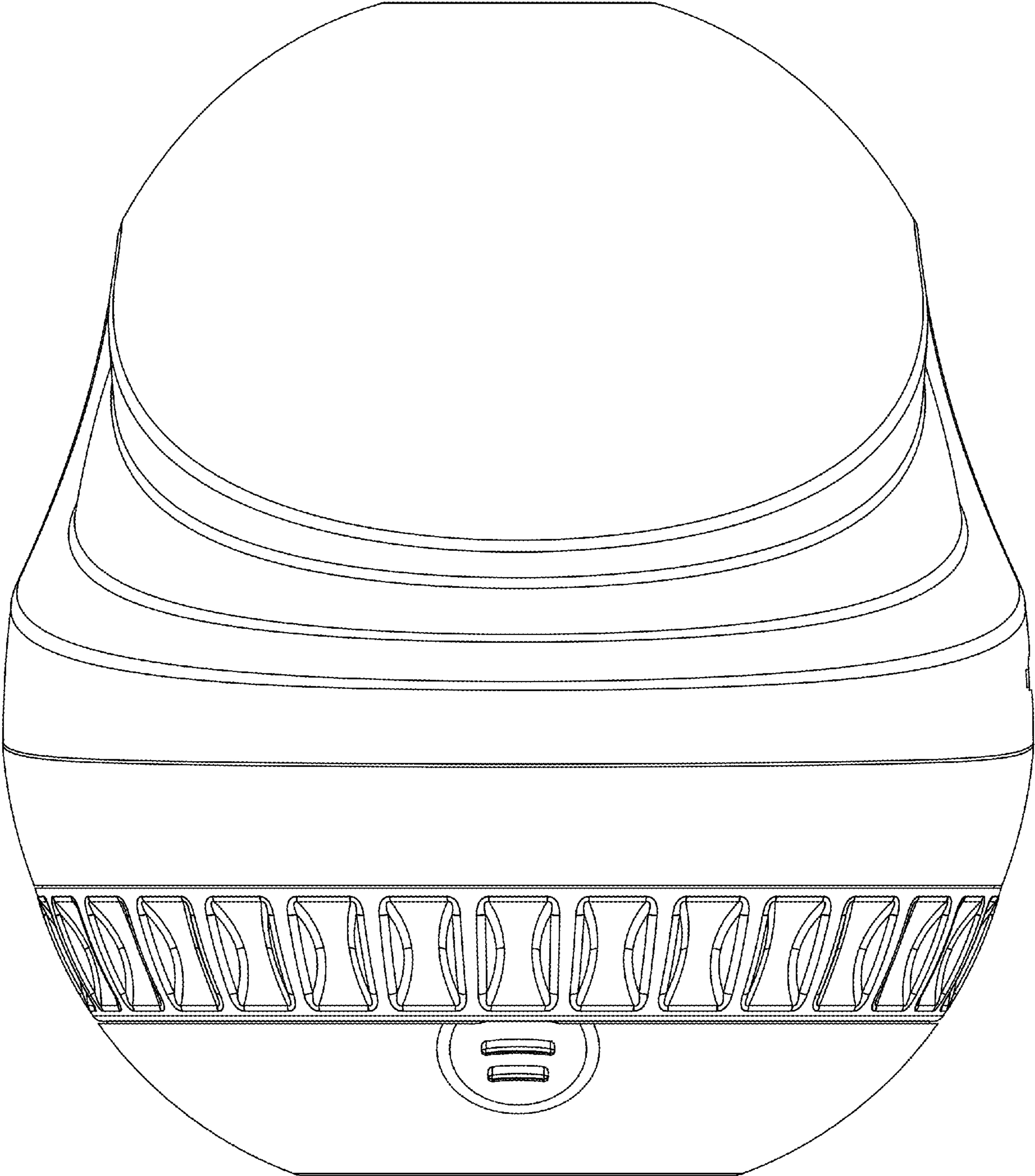


Fig. 1

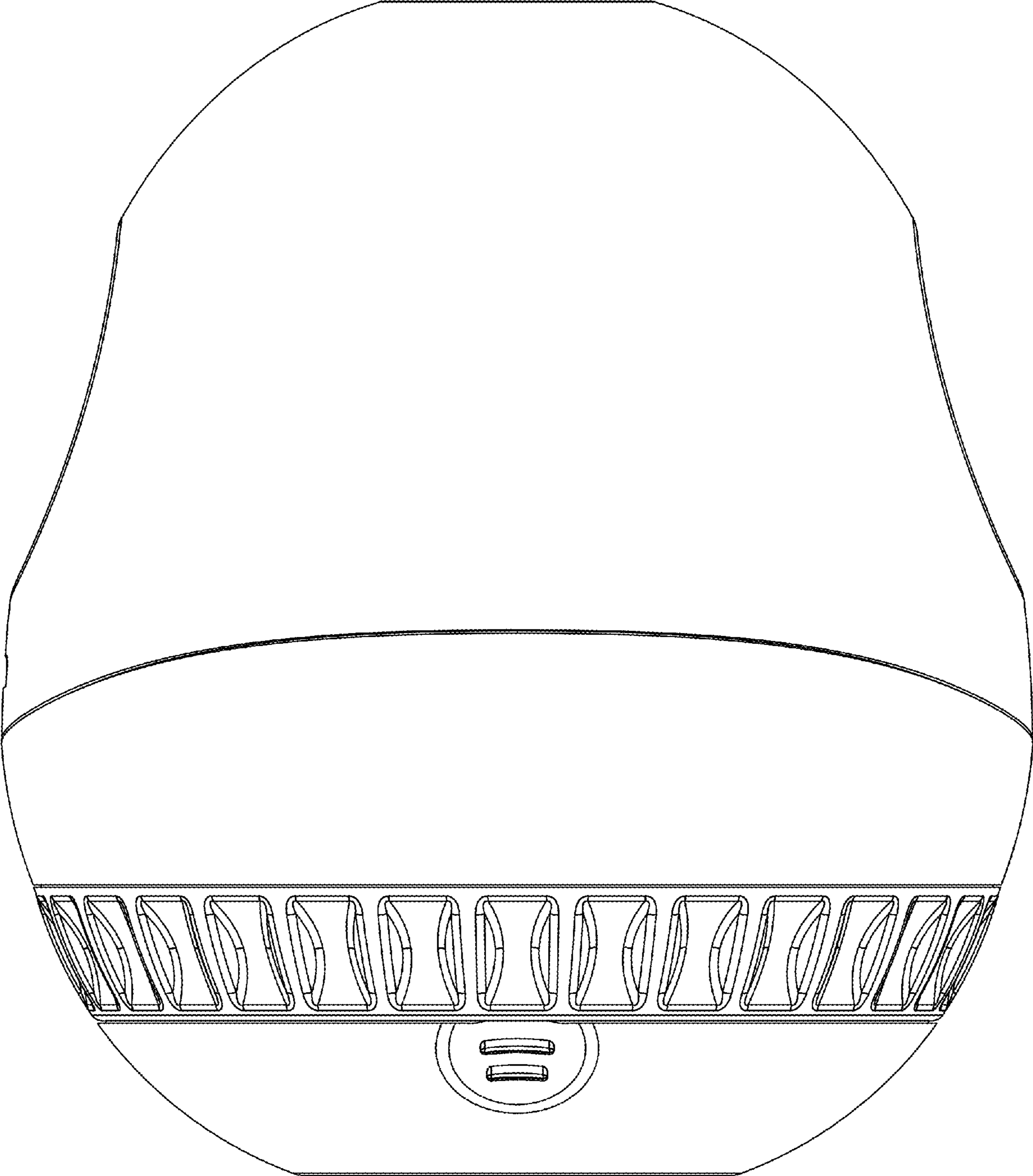


Fig. 2

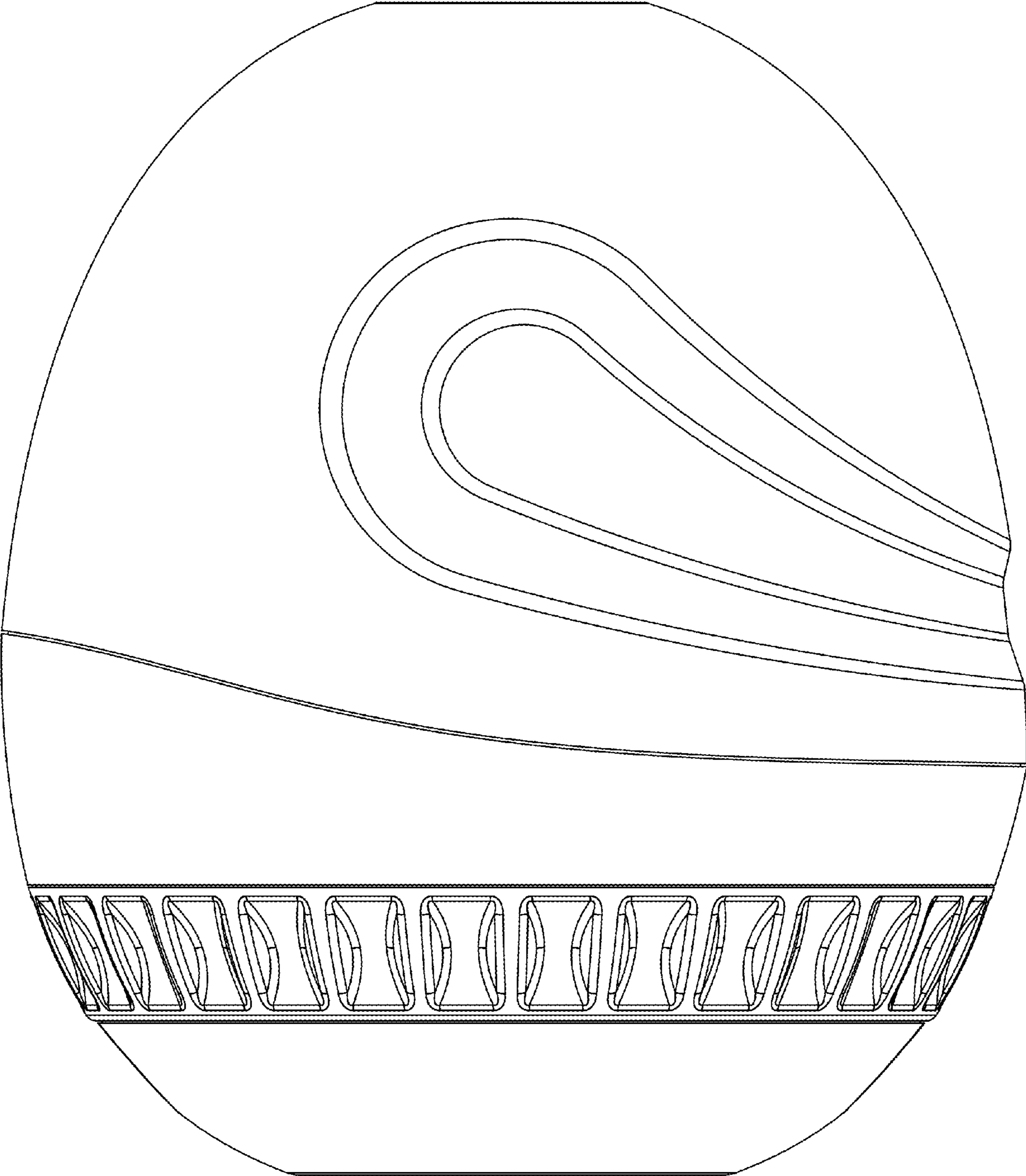


Fig. 3

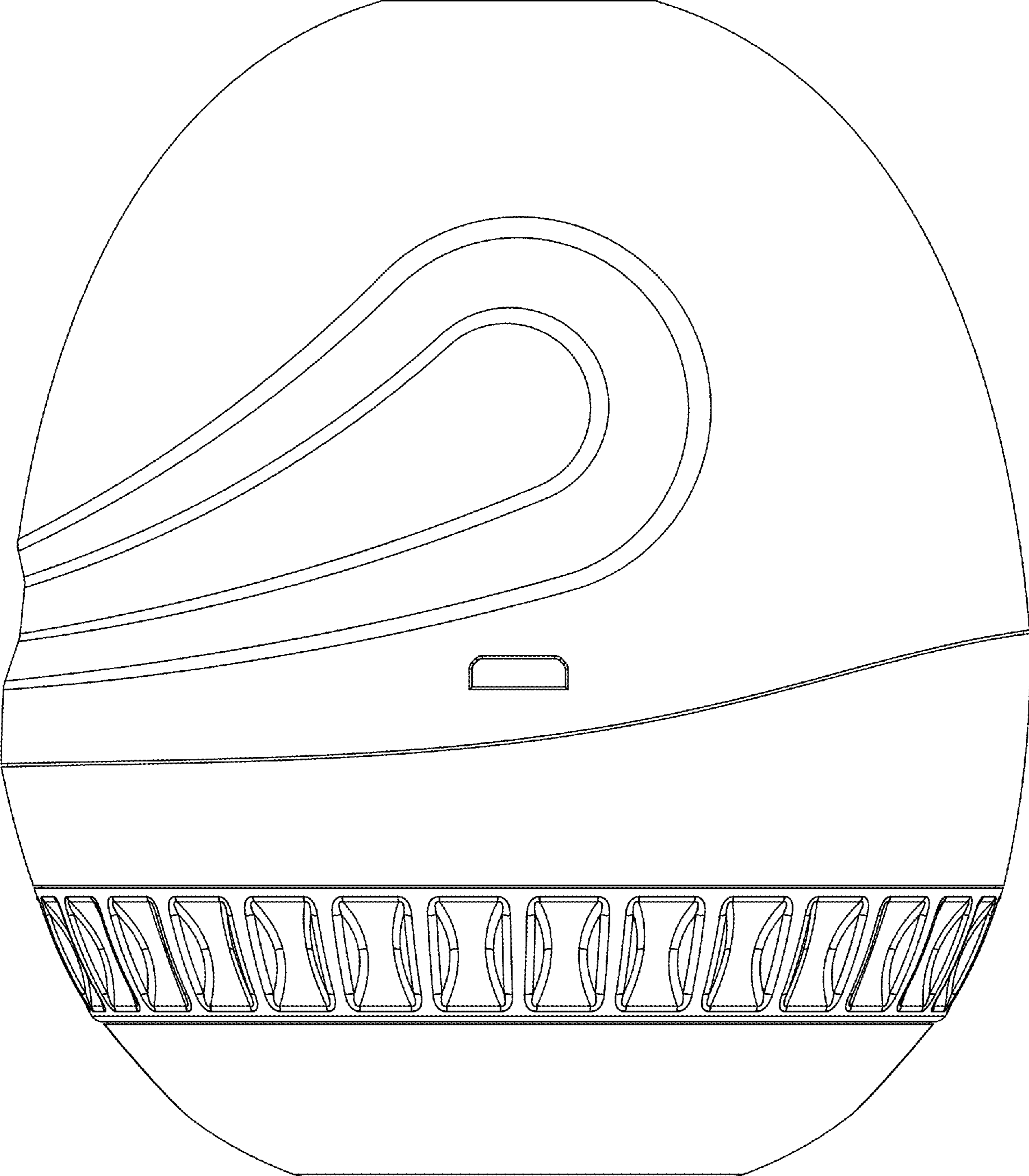


Fig. 4

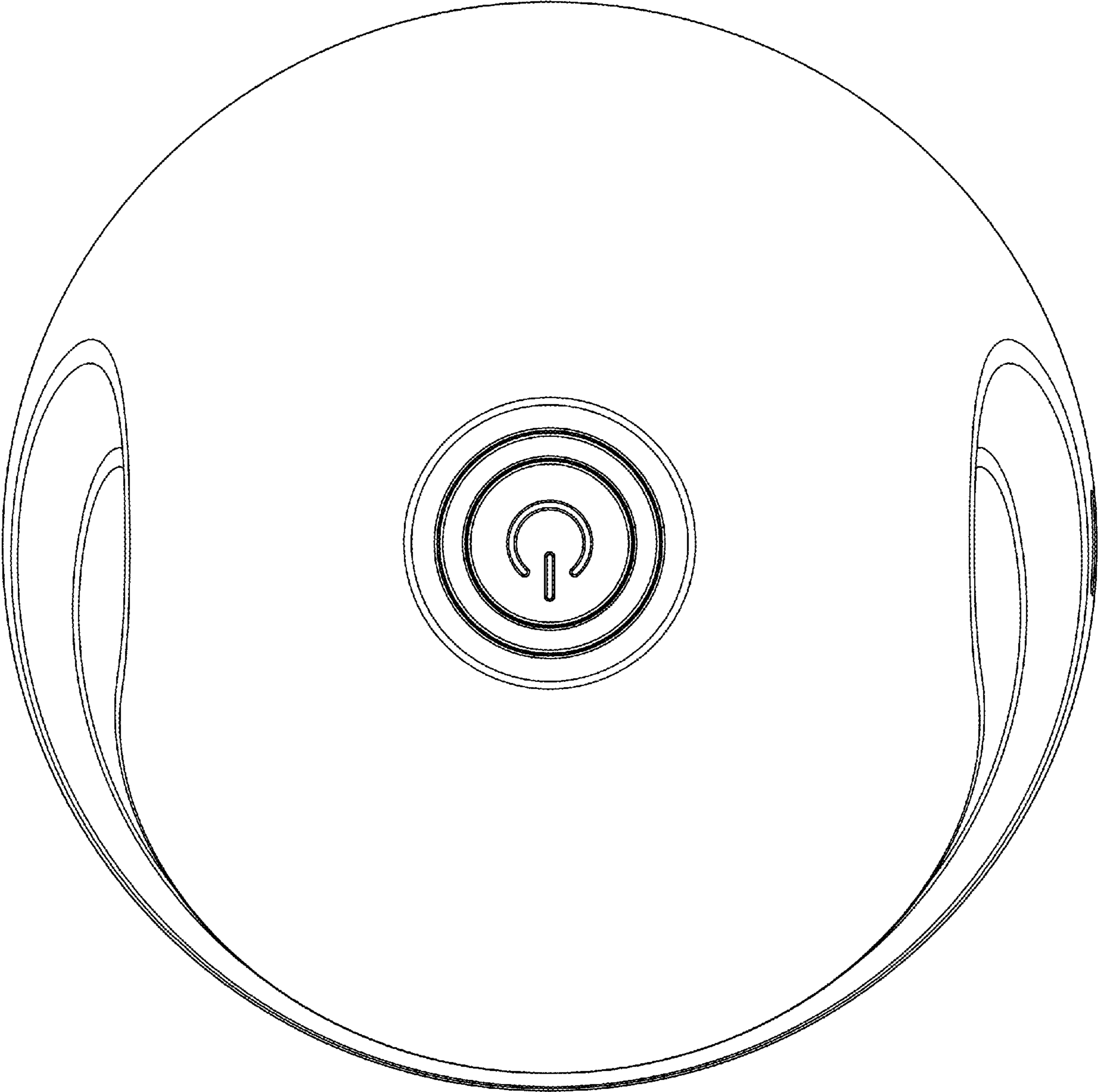


Fig. 5

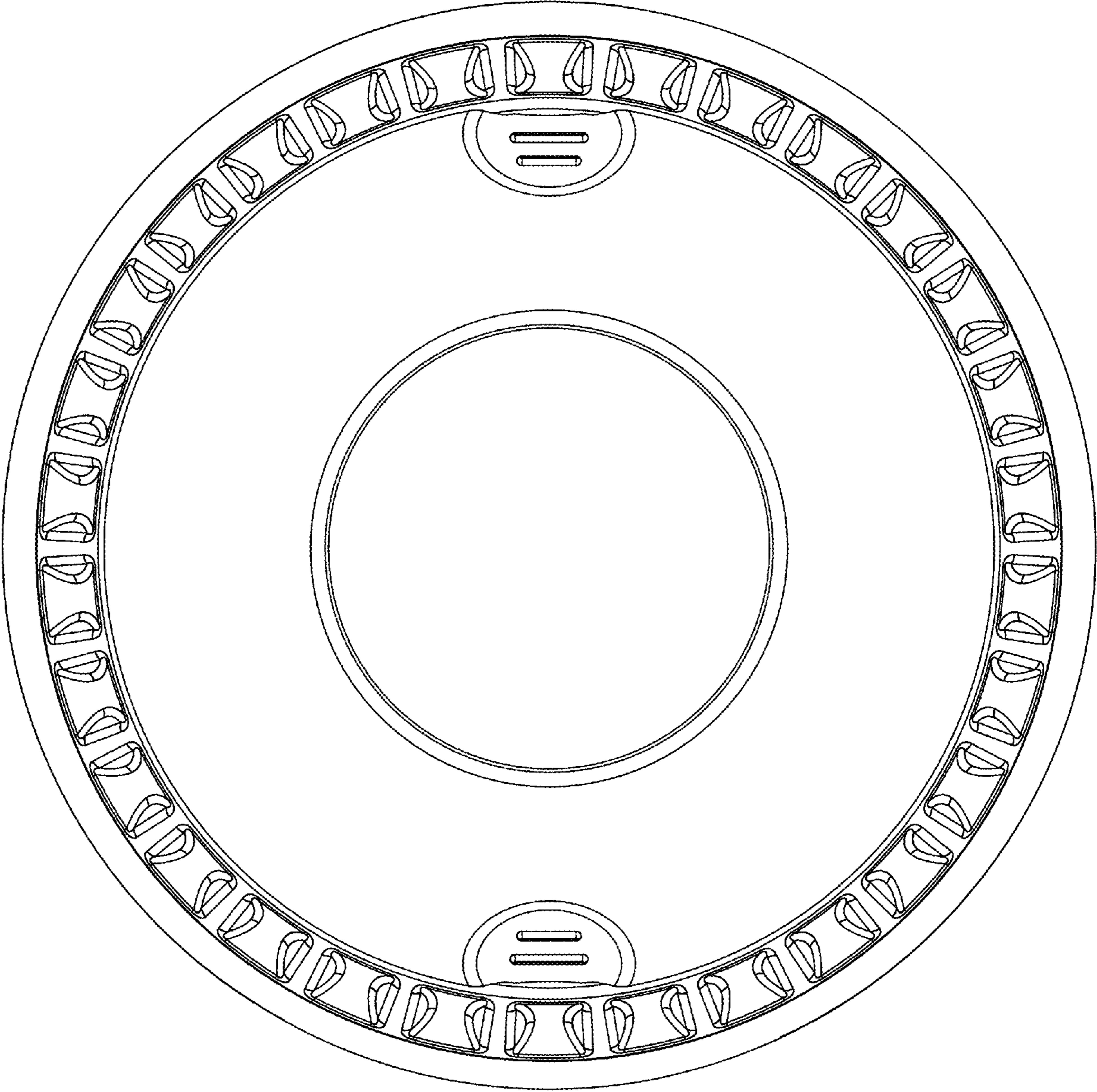


Fig. 6

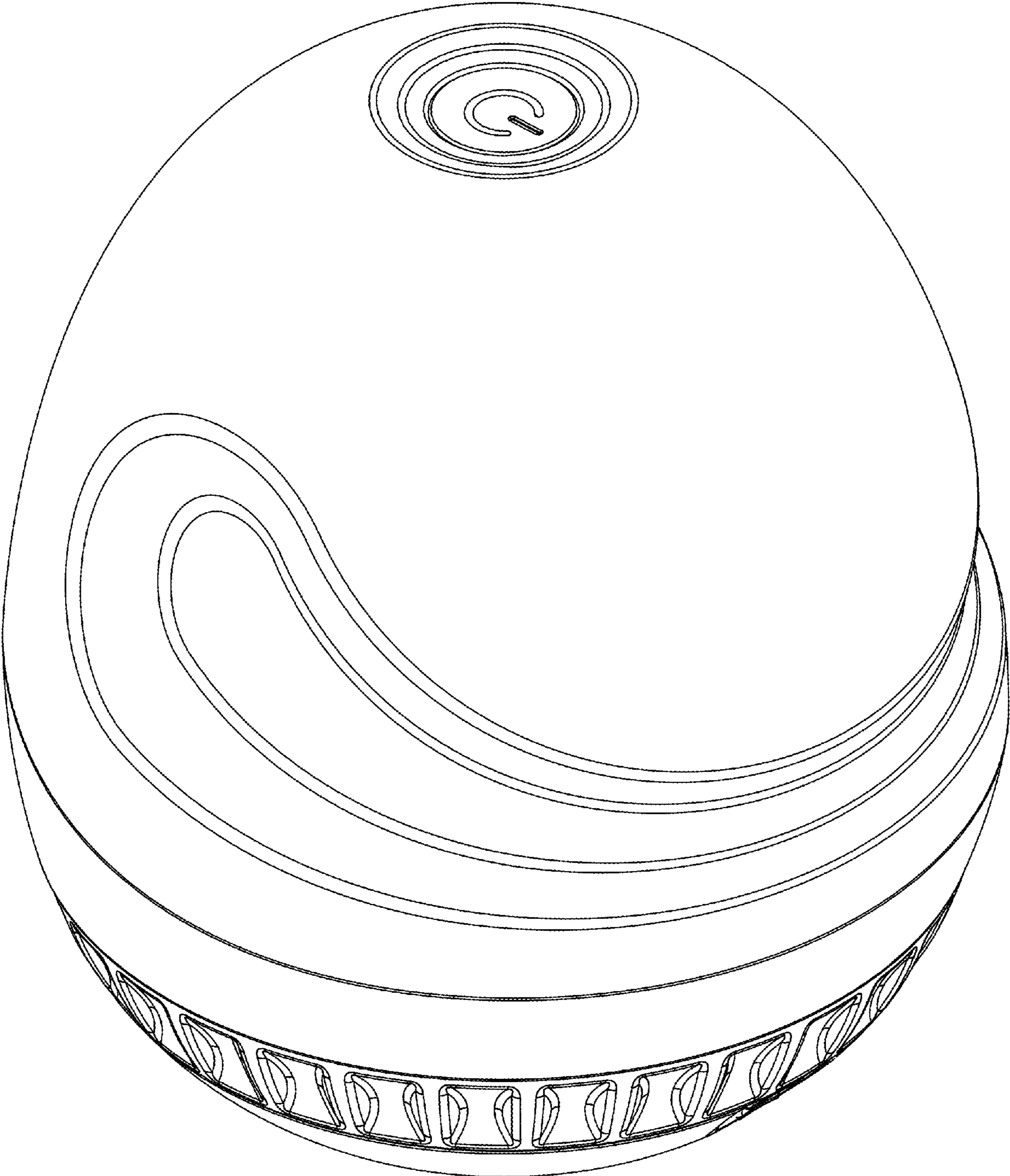


Fig. 7