



US00D948579S

(12) **United States Design Patent**
Asahara

(10) **Patent No.:** **US D948,579 S**

(45) **Date of Patent:** **** Apr. 12, 2022**

- (54) **FLUID PRESSURE CYLINDER**
- (71) Applicant: **SMC CORPORATION**, Tokyo (JP)
- (72) Inventor: **Hiroyuki Asahara**, Tsukuba (JP)
- (73) Assignee: **SMC CORPORATION**, Tokyo (JP)
- (**) Term: **15 Years**
- (21) Appl. No.: **29/768,071**
- (22) Filed: **Jan. 27, 2021**
- (30) **Foreign Application Priority Data**
 - Jul. 31, 2020 (JP) 2020-015968
- (51) **LOC (13) Cl.** **15-02**
- (52) **U.S. Cl.**
USPC **D15/7; D15/148**
- (58) **Field of Classification Search**
USPC D10/85; D15/5, 7, 8, 9, 143, 148, 149,
D15/199; D23/233, 235
CPC .. F15B 15/149; F15B 15/222; F15B 15/1428;
F15B 15/1438; F15B 15/1447; F15B
15/1457; F15B 15/1461; F15B 15/2861;
F16J 10/02; F16J 10/12
See application file for complete search history.

- (56) **References Cited**
U.S. PATENT DOCUMENTS
 - D281,168 S * 10/1985 Scholl D15/144
 - D329,434 S * 9/1992 Toyoda D15/5
 - D417,457 S * 12/1999 Asahara D15/7
 - D420,683 S * 2/2000 Suzuki D15/7
 - D445,704 S * 7/2001 Suzuki D10/85
 - D499,348 S 12/2004 Matsumoto et al.
 - D500,258 S * 12/2004 Kita D10/85
 - D500,259 S * 12/2004 Kita D10/85
 - D522,090 S * 5/2006 Matsumoto D23/233

- D542,682 S * 5/2007 Waki D10/85
- D575,175 S 8/2008 Suzuki
- D638,730 S * 5/2011 Ishibashi D10/85
- D644,665 S * 9/2011 Ishibashi D15/5
- D669,097 S * 10/2012 Hariwara D15/7
- D669,098 S * 10/2012 Hariwara D15/7
- D757,120 S * 5/2016 Kudo D15/7
- D760,805 S * 7/2016 Monden D15/7
- D770,595 S 11/2016 Suzuki et al.
- D772,302 S * 11/2016 Kudo D15/7
- D780,228 S * 2/2017 Kudo D15/7
- D780,229 S * 2/2017 Kudo D15/7
- D805,559 S * 12/2017 Kudo D15/7
- D805,560 S * 12/2017 Kudo D15/7
- D819,700 S * 6/2018 Kudo D15/7
- D820,321 S * 6/2018 Kudo D15/7
- D871,457 S * 12/2019 Ikari D15/7
- D888,772 S * 6/2020 Sato D15/7
- D888,773 S * 6/2020 Sato D15/7

(Continued)

Primary Examiner — Patricia A Palasik
(74) *Attorney, Agent, or Firm* — Birch, Stewart, Kolasch & Birch, LLP

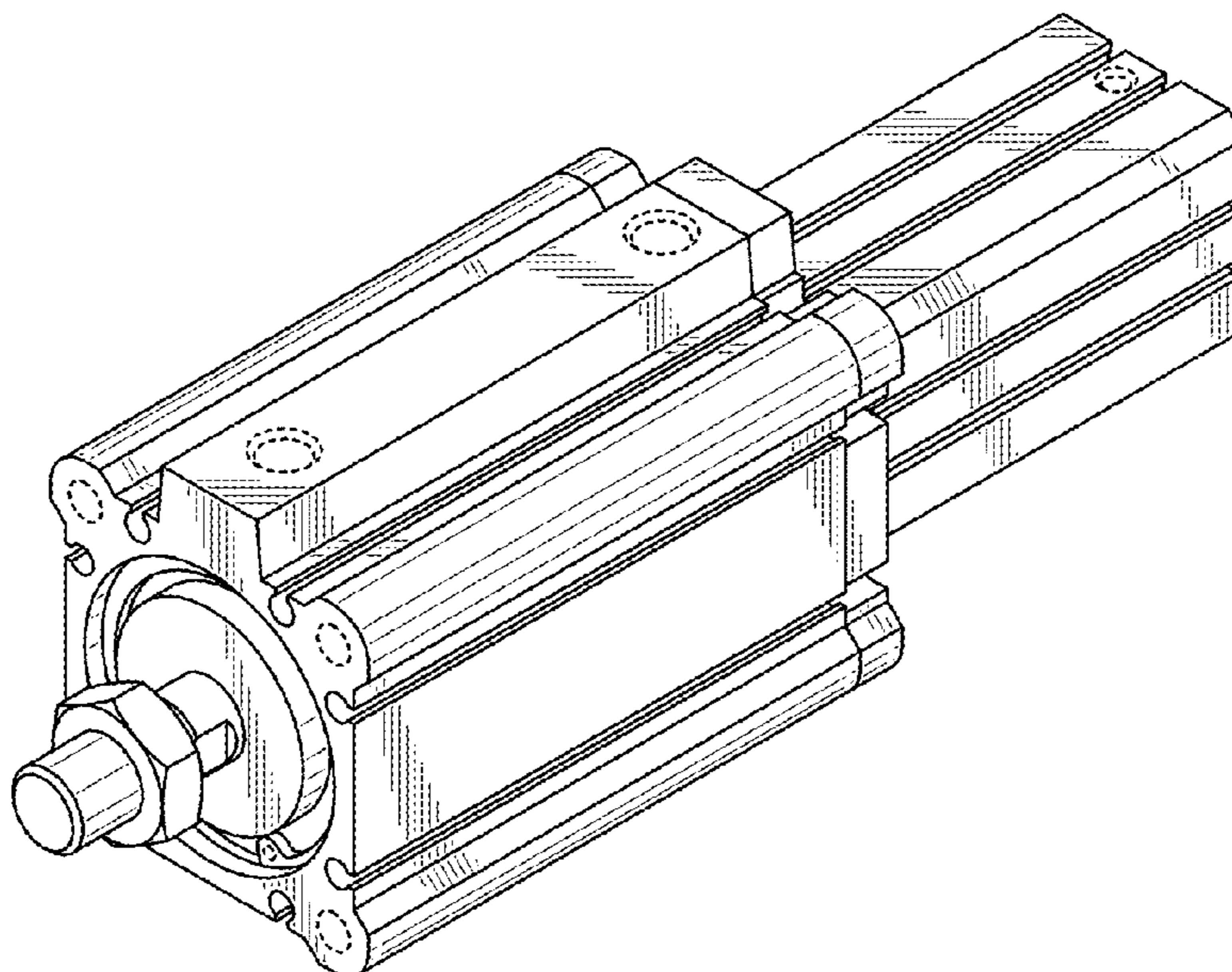
(57) **CLAIM**

The ornamental design for a fluid pressure cylinder, as shown and described.

DESCRIPTION

FIG. 1 is a front, top and left side perspective view of a fluid pressure cylinder showing my new design; FIG. 2 is a front, top and right side perspective view thereof; FIG. 3 is a front view thereof; FIG. 4 is a rear view thereof; FIG. 5 is a top plan view thereof; FIG. 6 is a bottom plan view thereof; FIG. 7 is a left side view thereof; and, FIG. 8 is a right side view thereof. The broken lines depict portions of the fluid pressure cylinder that form no part of the claimed design.

1 Claim, 8 Drawing Sheets



(56)

References Cited

U.S. PATENT DOCUMENTS

D888,774 S	6/2020	Asahara	
D888,775 S *	6/2020	Sato	D15/7
D890,213 S *	7/2020	Sato	D15/7
D890,214 S *	7/2020	Sato	D15/7
D890,215 S *	7/2020	Sato	D15/7
D899,466 S *	10/2020	Nemoto	D15/7
D900,165 S *	10/2020	Nemoto	D15/7
D900,166 S *	10/2020	Nemoto	D15/7
D900,879 S *	11/2020	Nemoto	D15/7
D900,880 S *	11/2020	Nemoto	D15/7

* cited by examiner

FIG. 1

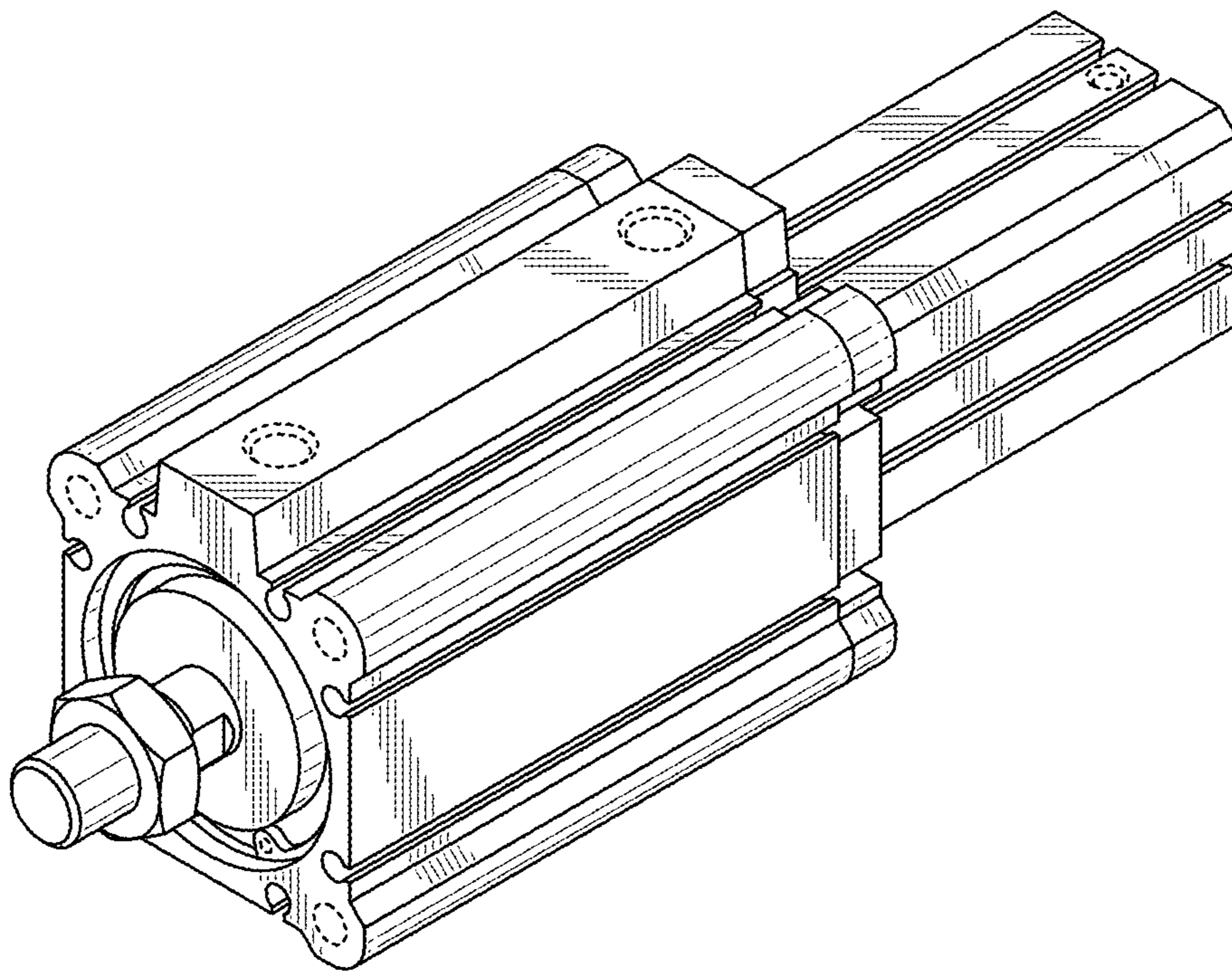


FIG. 2

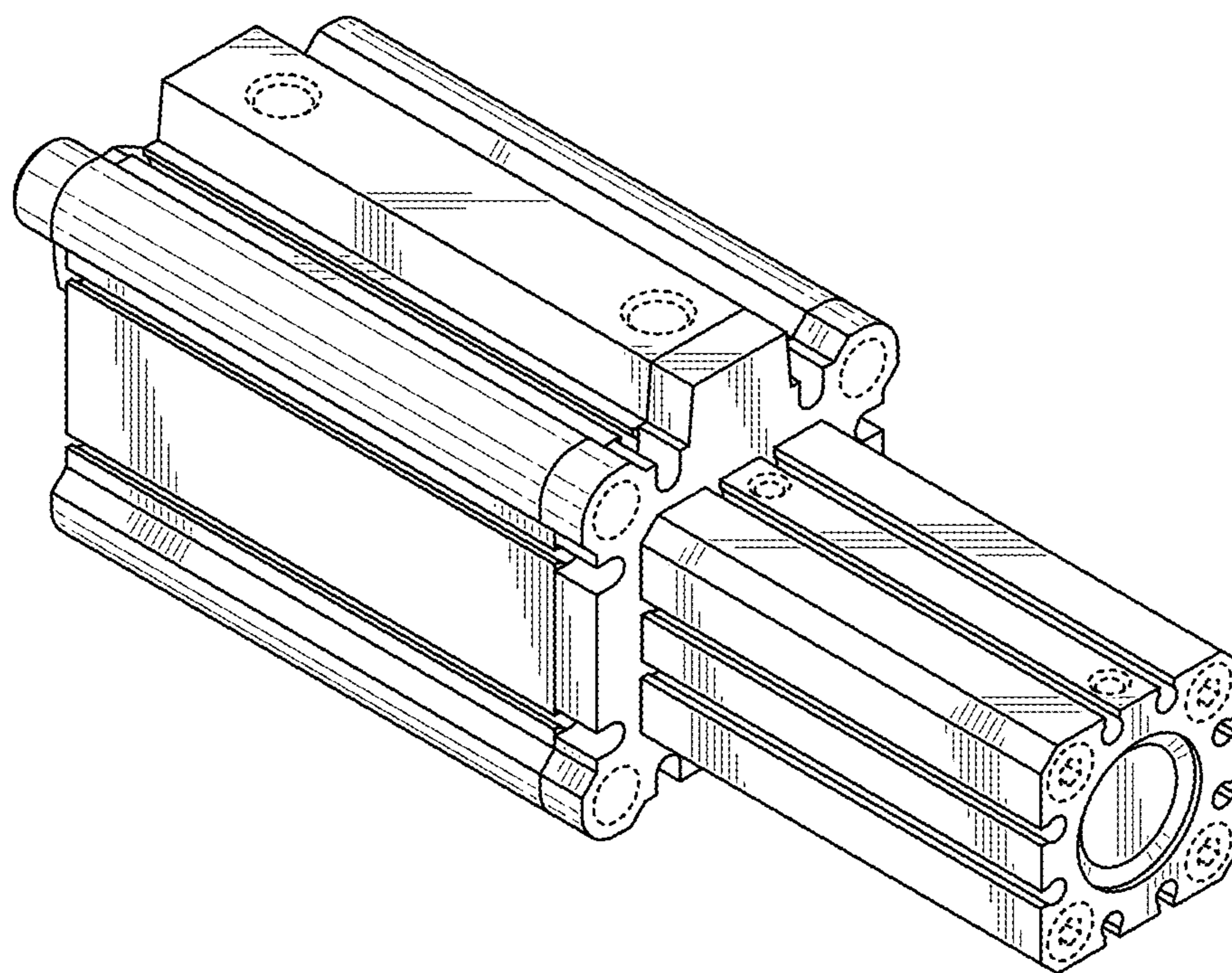


FIG. 3

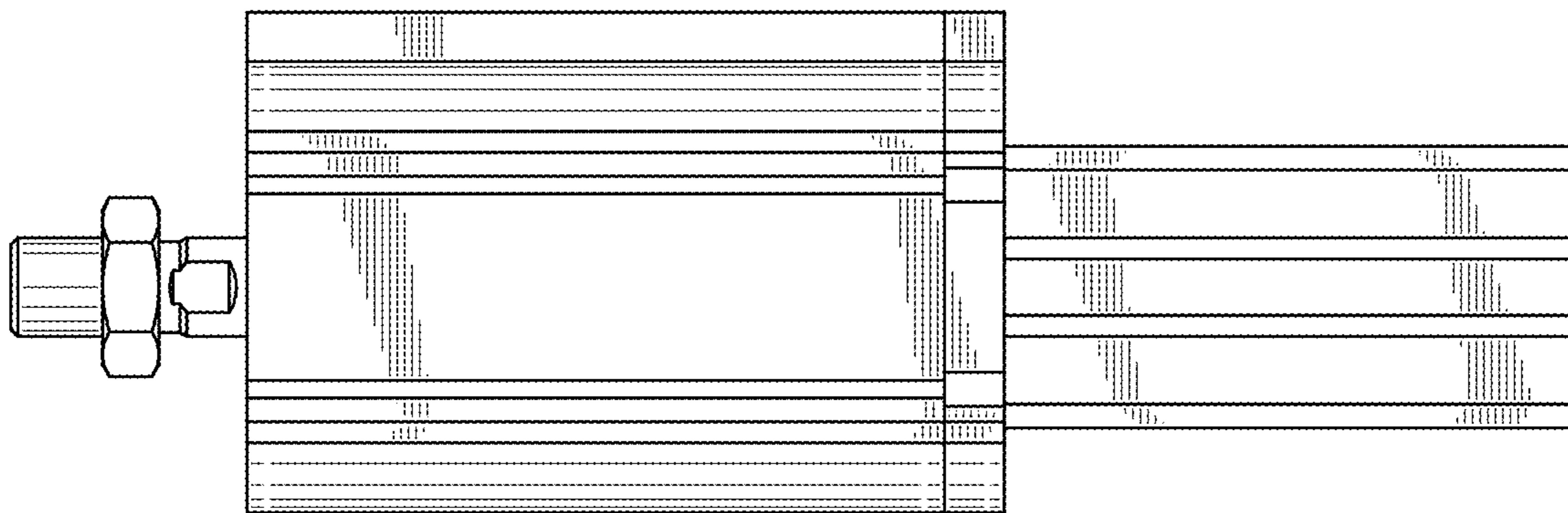


FIG. 4

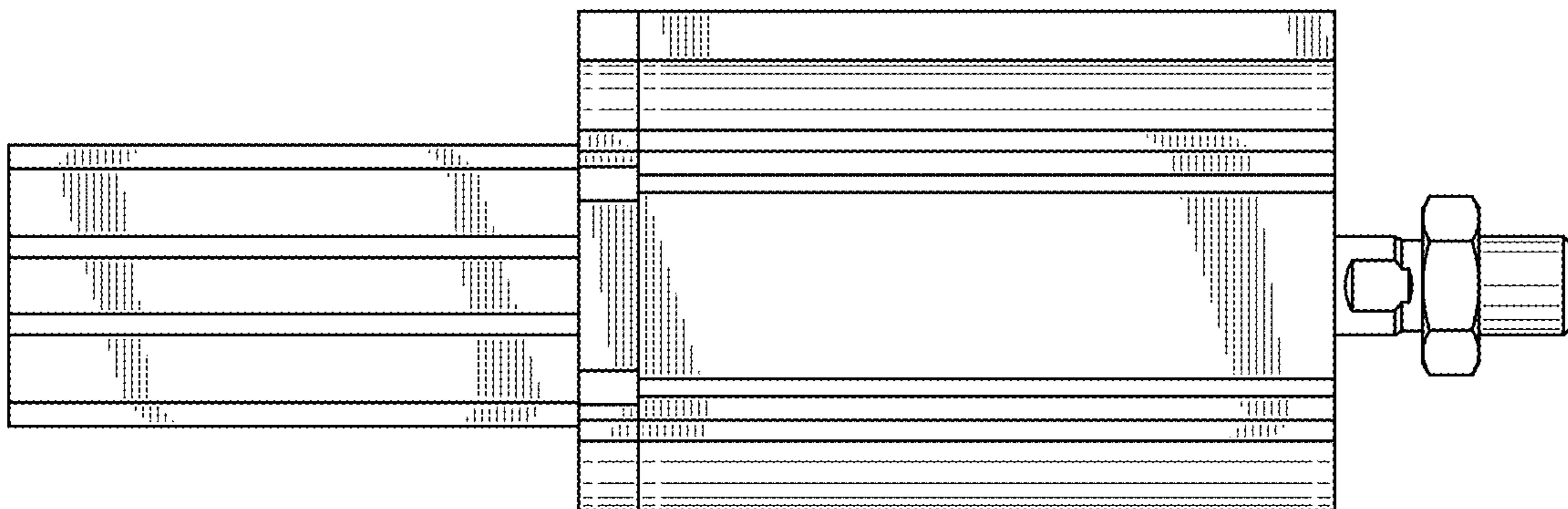


FIG. 5

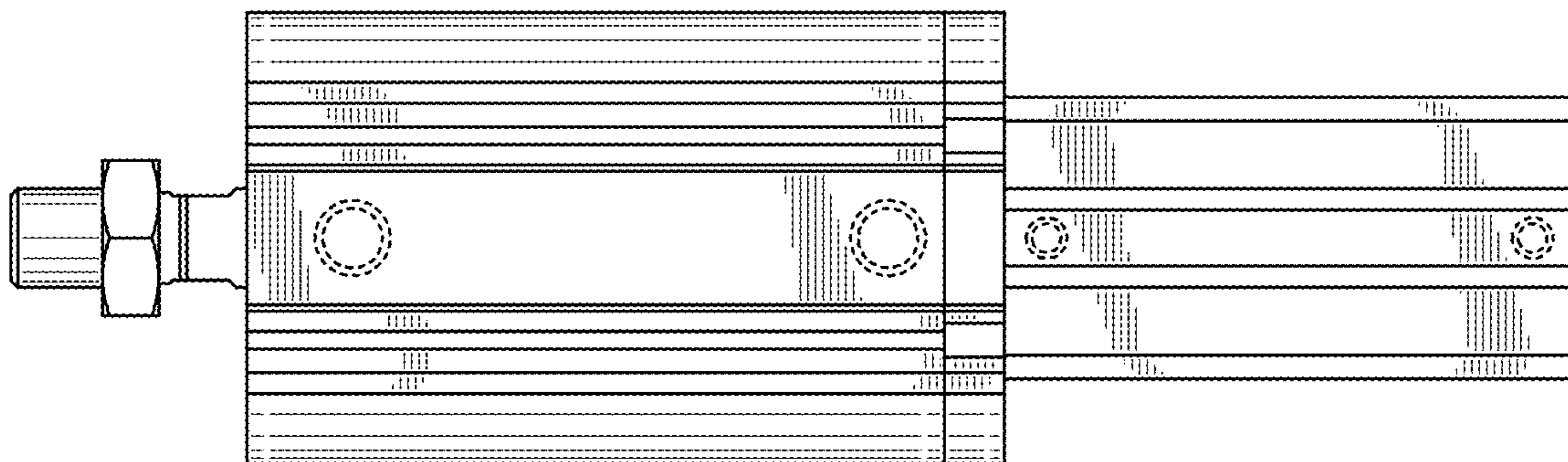


FIG. 6

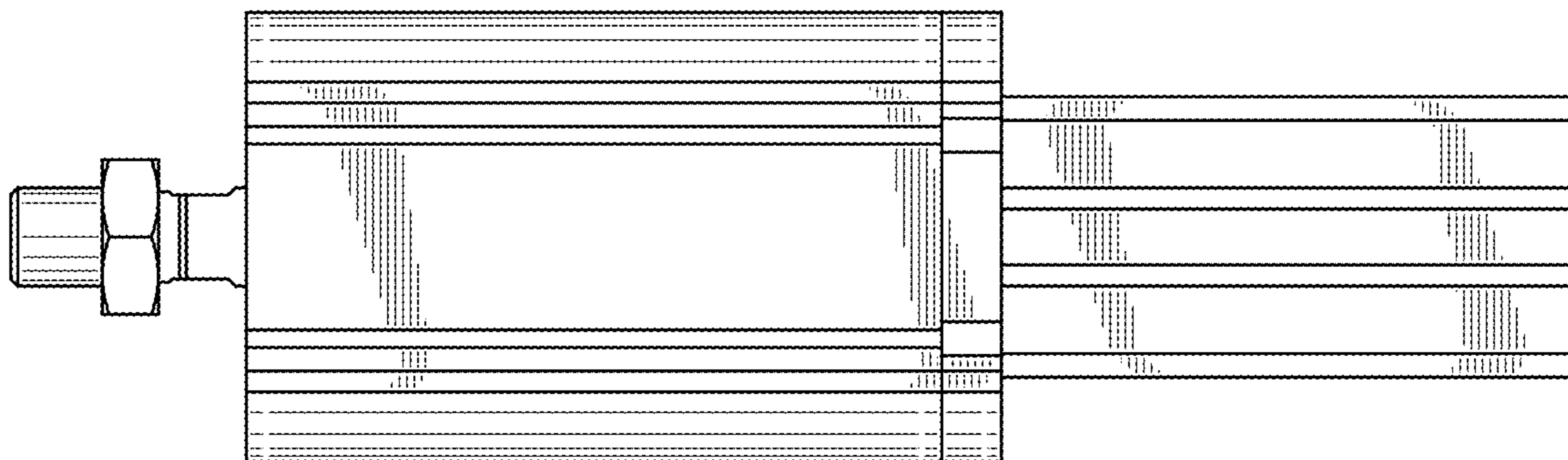


FIG. 7

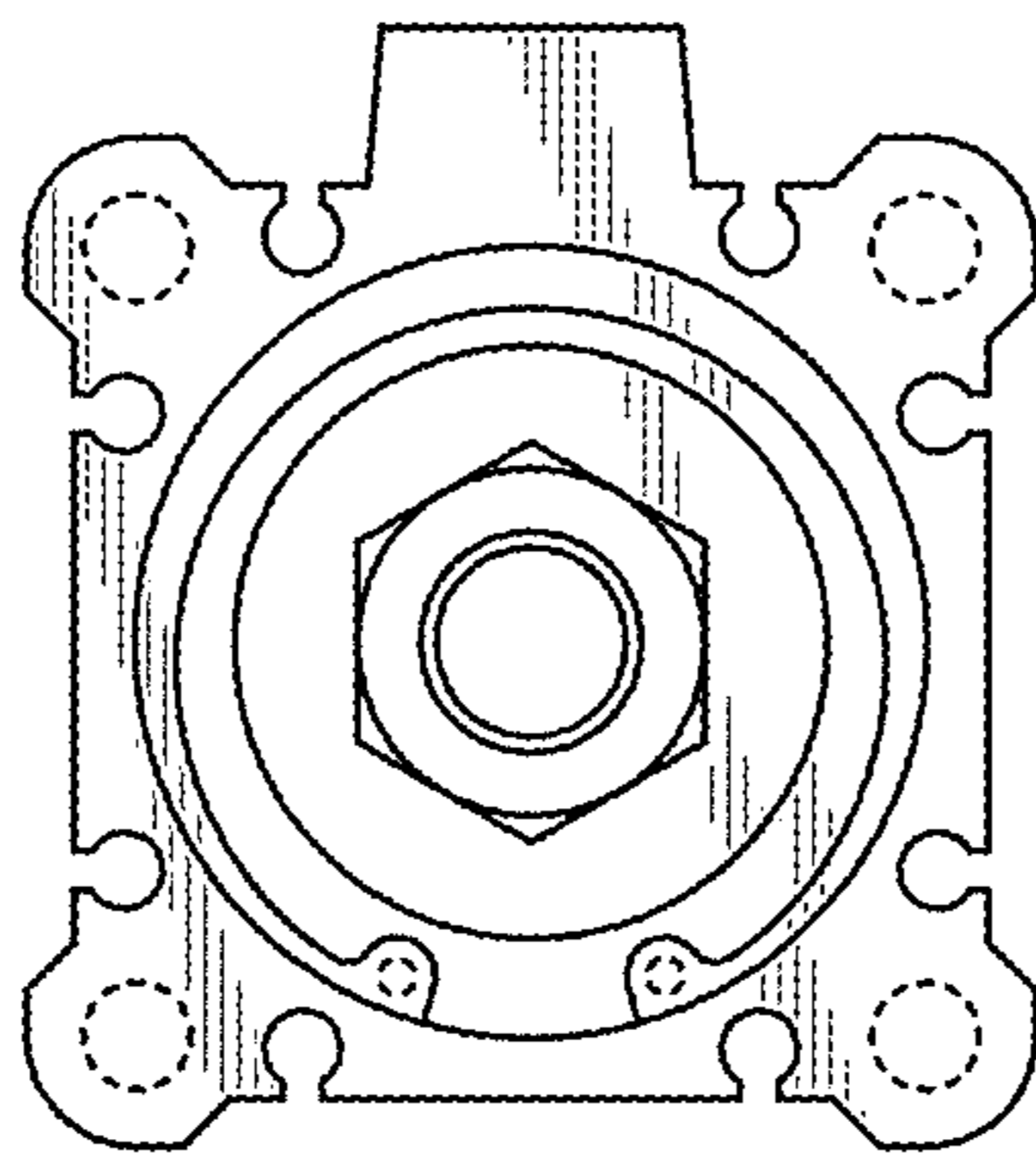


FIG. 8

