



US00D948578S

(12) **United States Design Patent**  
**Varini**

(10) **Patent No.:** **US D948,578 S**

(45) **Date of Patent:** **\*\* Apr. 12, 2022**

(54) **SUBMERSIBLE PUMP**

D700,624 S \* 3/2014 Taniguchi ..... D15/7  
D809,021 S \* 1/2018 Luke ..... D15/7  
D893,552 S \* 8/2020 Mayleben ..... D15/7

(71) Applicant: **PIUSI S.P.A.**, Suzzara (IT)

(72) Inventor: **Otto Varini**, Suzzara (IT)

(73) Assignee: **PIUSI S.P.A.**, Suzzara (IT)

(\*\*) Term: **15 Years**

(21) Appl. No.: **29/725,952**

(22) Filed: **Feb. 28, 2020**

(30) **Foreign Application Priority Data**

Aug. 30, 2019 (EM) ..... 006792230

(51) **LOC (13) Cl.** ..... **15-02**

(52) **U.S. Cl.**  
USPC ..... **D15/7**

(58) **Field of Classification Search**  
USPC ..... D23/206, 213, 214, 225, 231, 232, 387,  
D23/421; D15/7-9.1, 21, 199  
CPC ..... F04D 15/0088; F04D 15/0066; F04D  
15/0245; F04D 3/00; F04D 3/005; F04D  
3/02; F04D 13/06; F04D 29/041; F04D  
29/22; F04D 29/60; F04D 29/605; F04B  
2203/0208; F04B 17/03; F04B 17/046;  
F04B 17/048; F04B 35/04; F04B 43/04;  
F04B 43/043

See application file for complete search history.

(56) **References Cited**

**U.S. PATENT DOCUMENTS**

D372,719 S \* 8/1996 Jensen ..... D15/7  
D395,317 S \* 6/1998 Karlsson ..... D15/7  
D567,189 S \* 4/2008 Stiles, Jr. .... D13/164  
D590,420 S \* 4/2009 Casalini ..... D15/7  
D700,213 S \* 2/2014 Taniguchi ..... D15/7

**OTHER PUBLICATIONS**

Piusi, Squalo35: Piusi's submersible pump specific for AdBlue, (site visited Jul. 15, 2021), Piusi.com, URL:<https://www.piusi.com/it/notizie/squalo35-la-pompa-sommersa-di-piusi-specifica-per-adblue> (Year: 2021).\*

Barnes, Model 71 Submersible Dewatering Pump—7/10-HP, 5,100 GPH, 240V/1Ph, 50' Cord, Automatic, (first available on Sep. 6, 2018), Amazon.com, URL:<https://www.amazon.com/Barnes-115071-Submersible-Dewatering-Discharge/dp/B07B57GCZC/> (Year: 2018).\*

\* cited by examiner

*Primary Examiner* — Sheryl Lane

*Assistant Examiner* — Mark T. Philipps

(74) *Attorney, Agent, or Firm* — Scully, Scott, Murphy & Presser, P.C.

(57) **CLAIM**

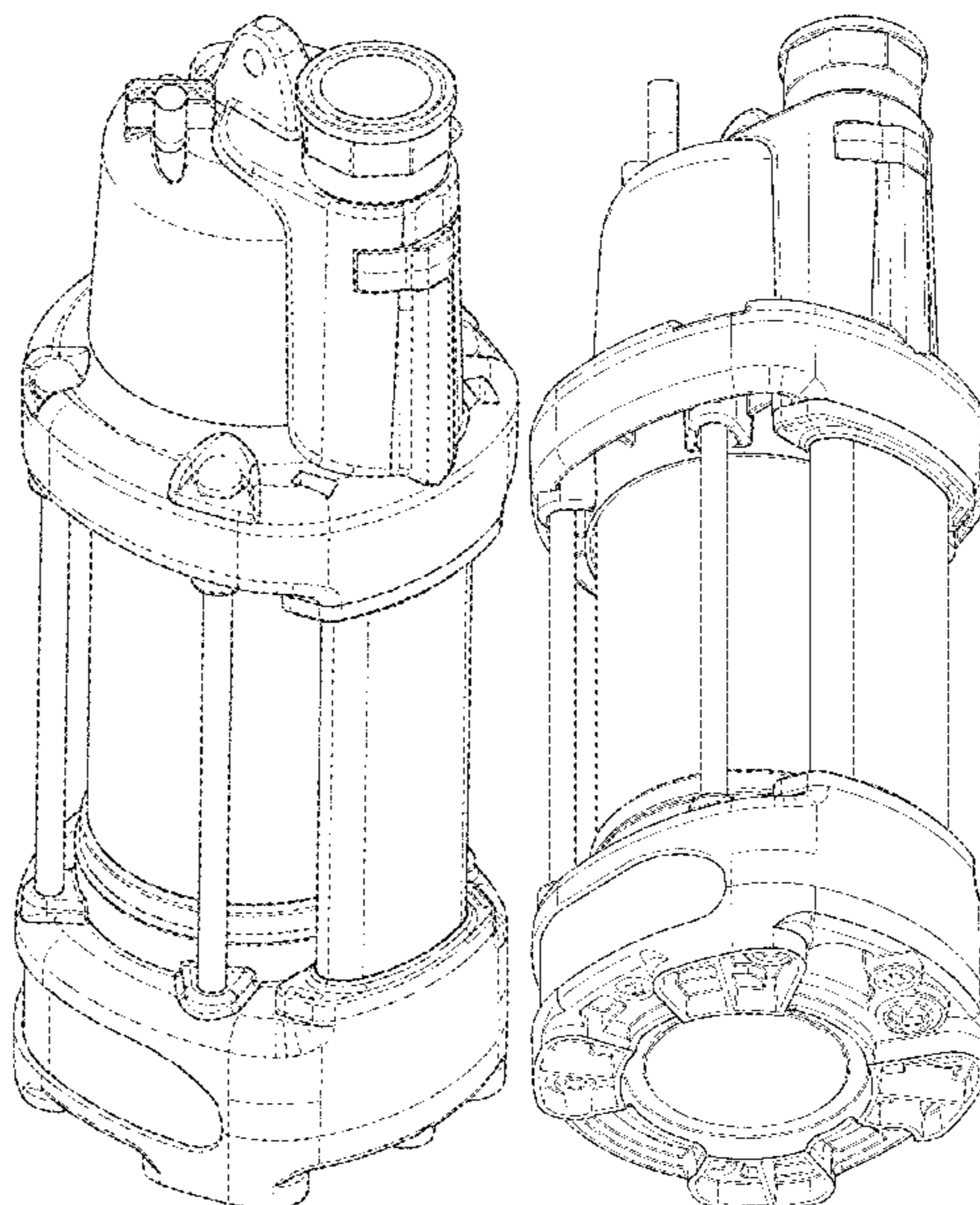
The ornamental design for a submersible pump, as shown.

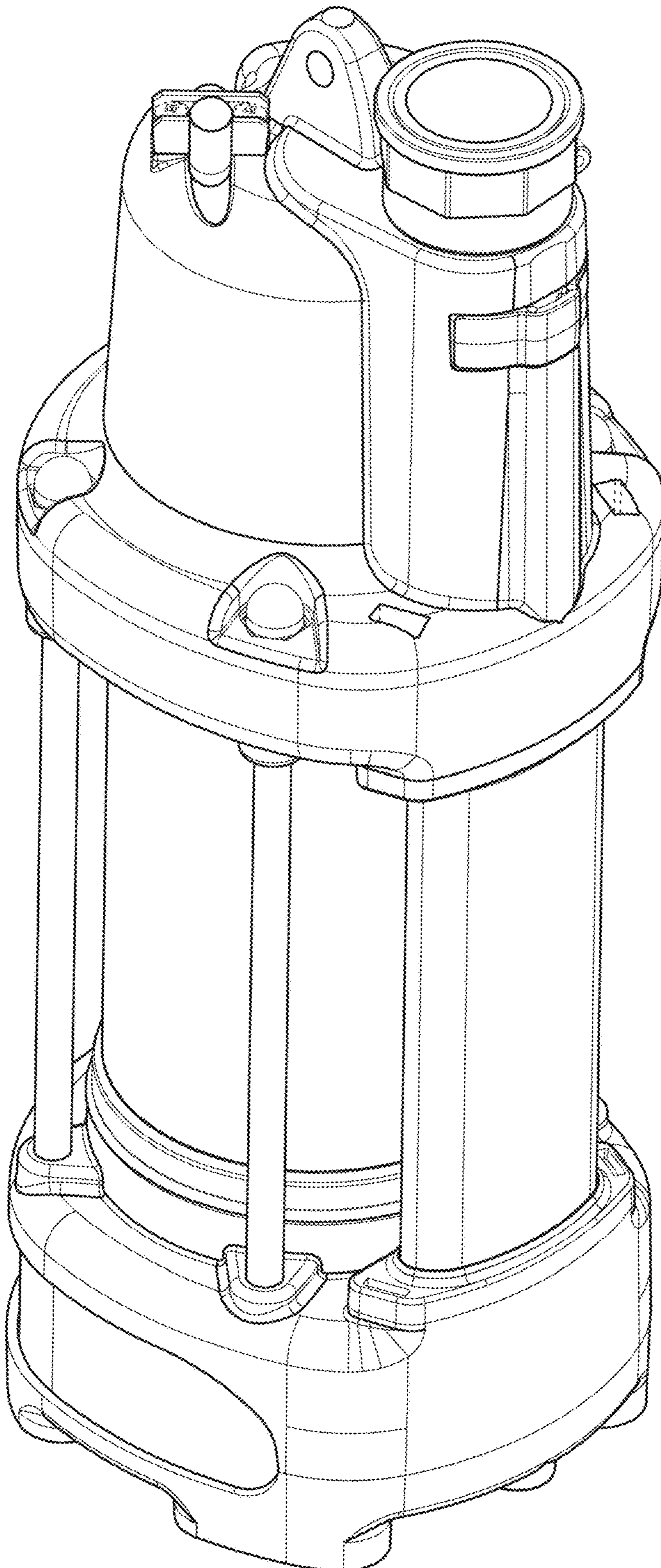
**DESCRIPTION**

FIG. 1 is a top perspective view of a submersible pump showing my new design;  
FIG. 2 is a front view thereof;  
FIG. 3 is a rear view thereof;  
FIG. 4 is a left side view thereof;  
FIG. 5 is a right side view thereof;  
FIG. 6 is a top view thereof;  
FIG. 7 is a bottom view thereof; and,  
FIG. 8 is a bottom perspective view thereof.

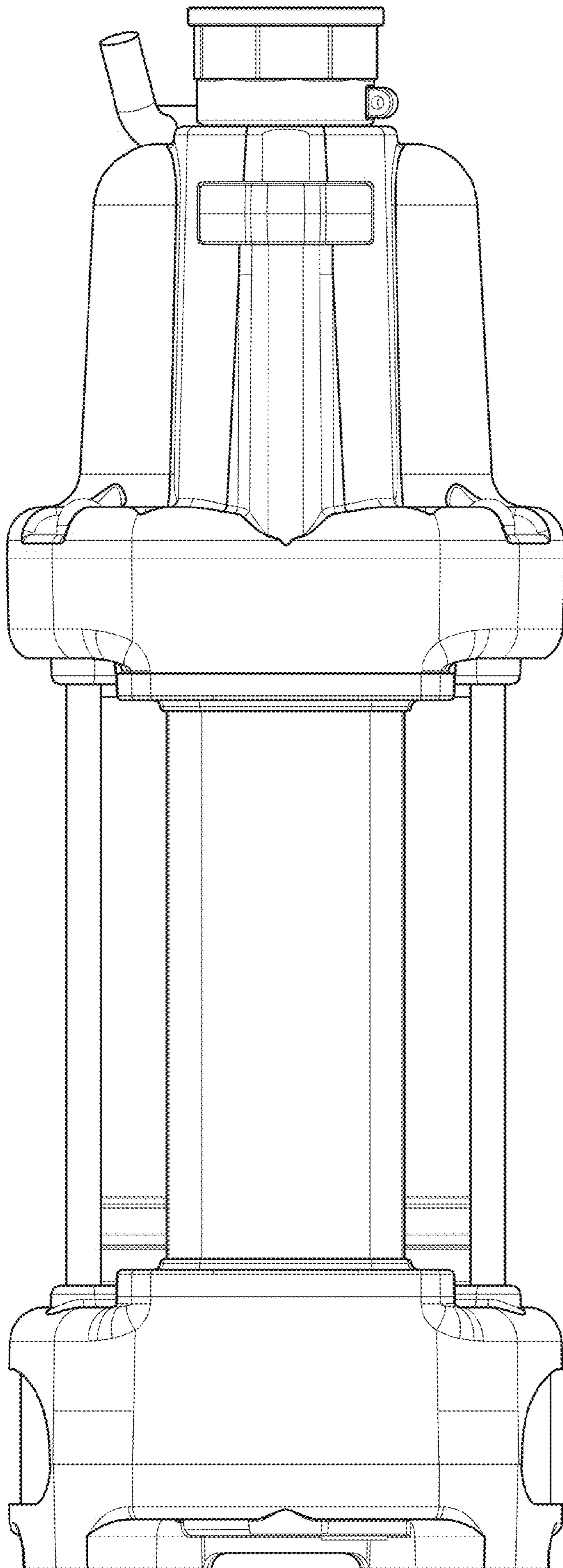
The broken lines shown in the figures attached hereto are included for the purpose of illustrating portions of the submersible pump that form no part of the claimed design.

**1 Claim, 8 Drawing Sheets**

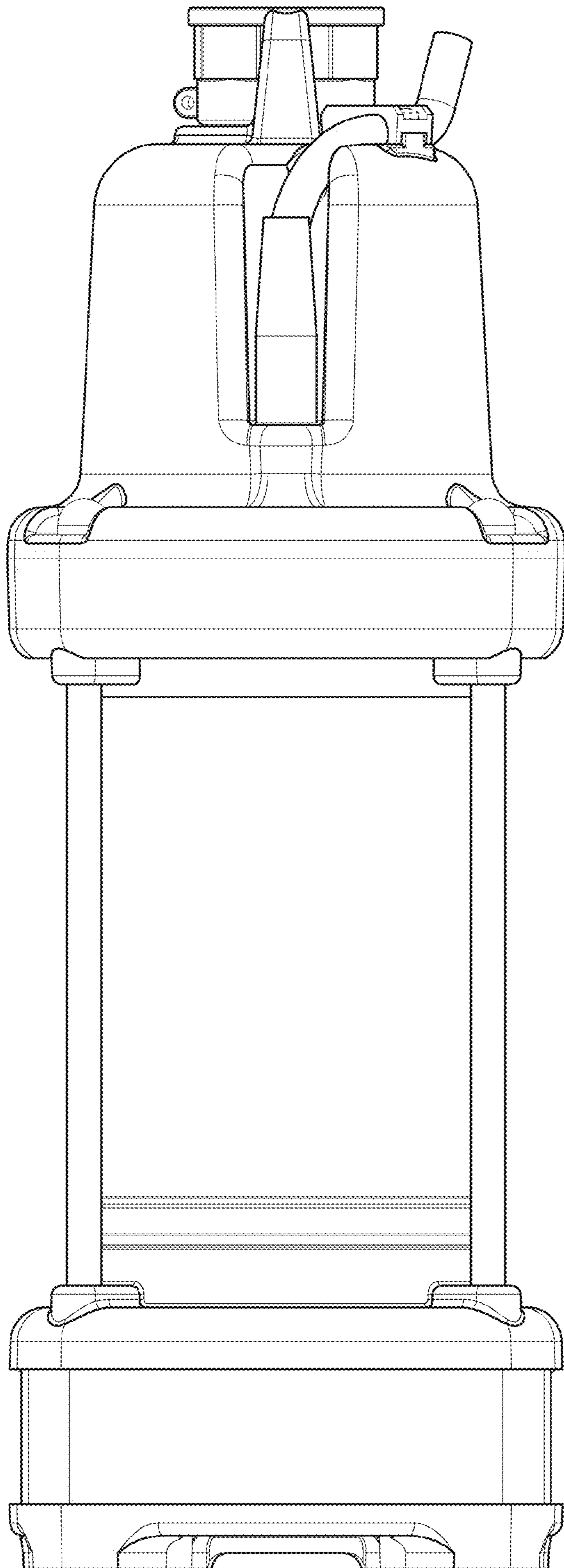




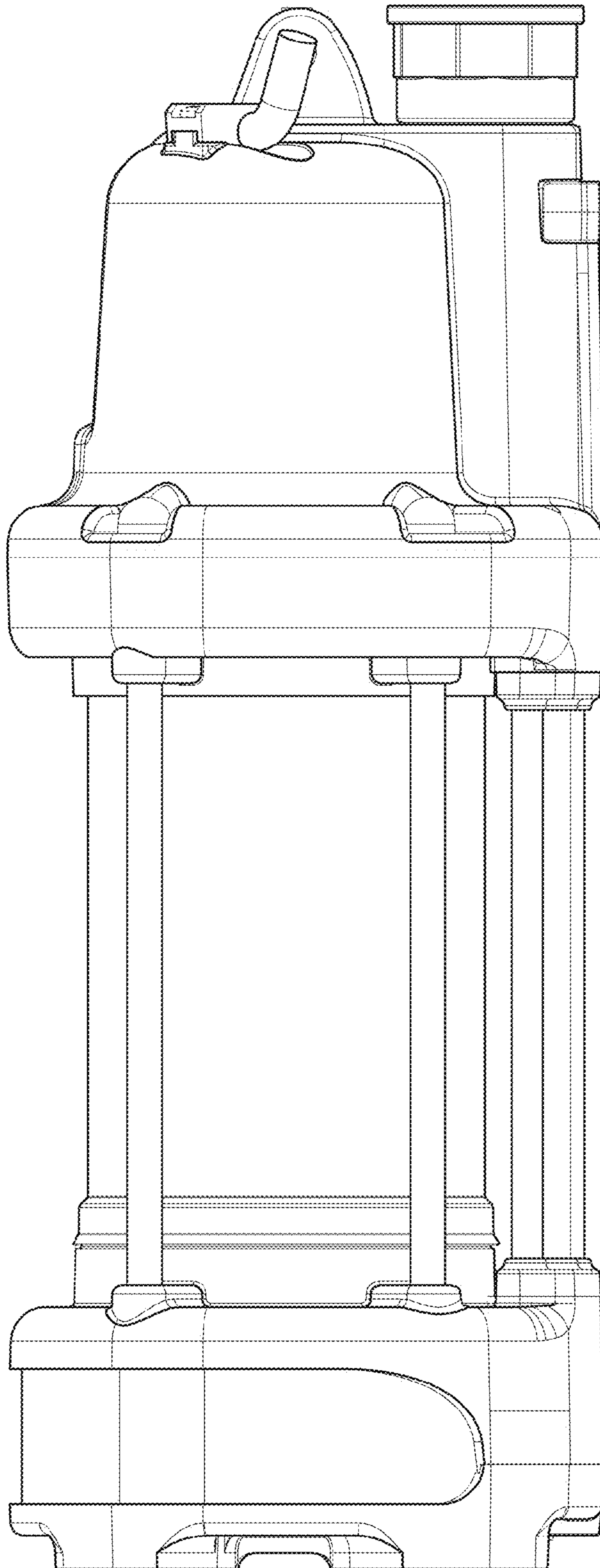
*Fig. 1*



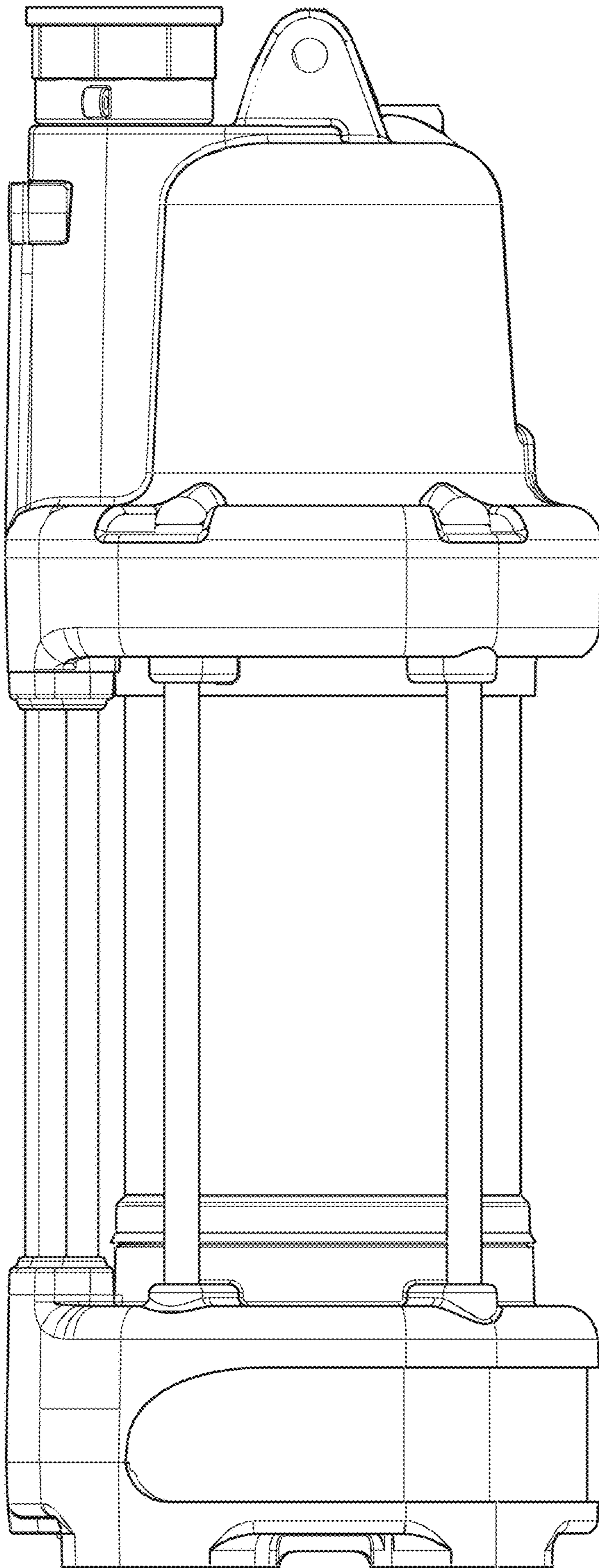
*Fig. 2*



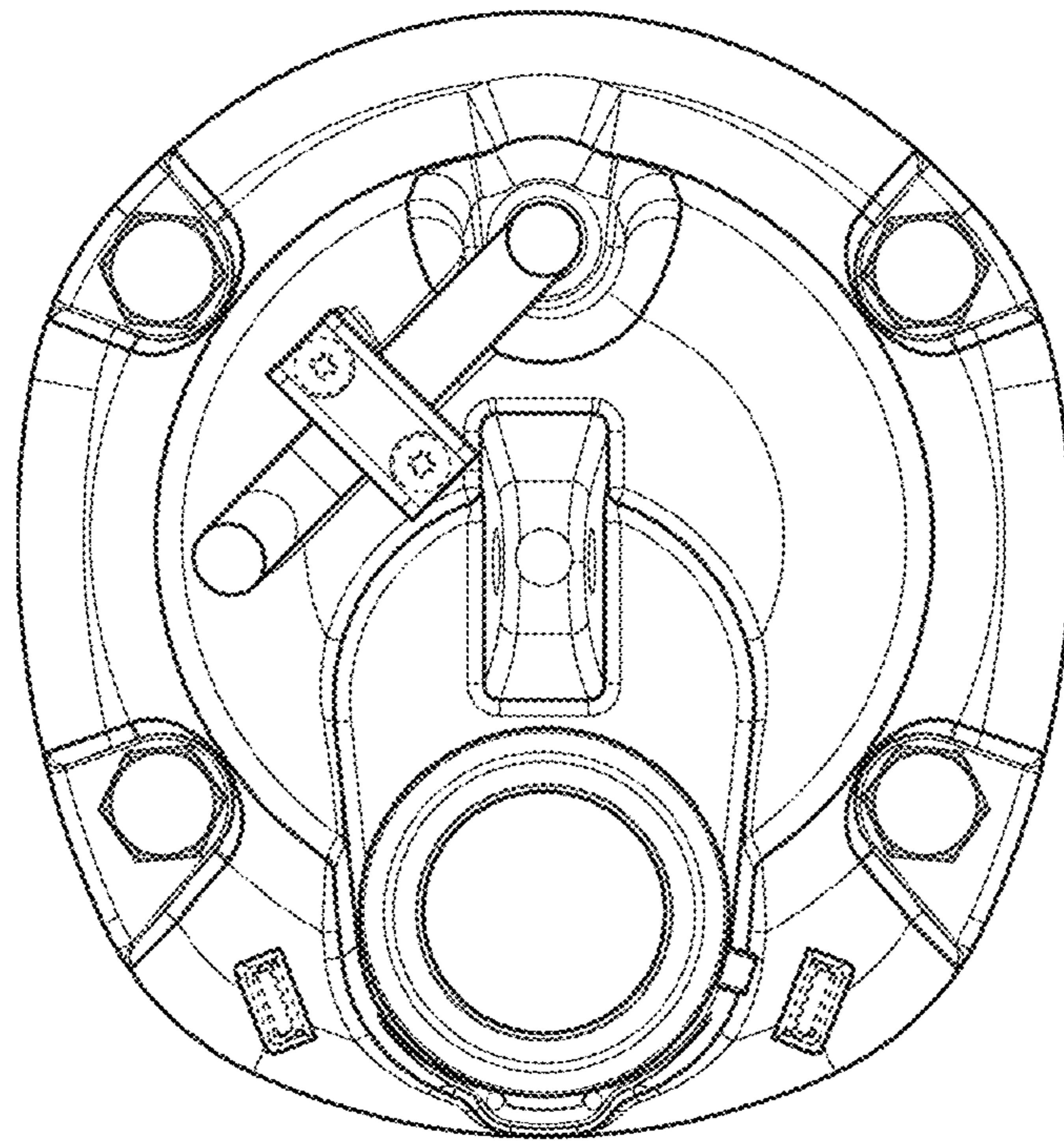
*Fig. 3*



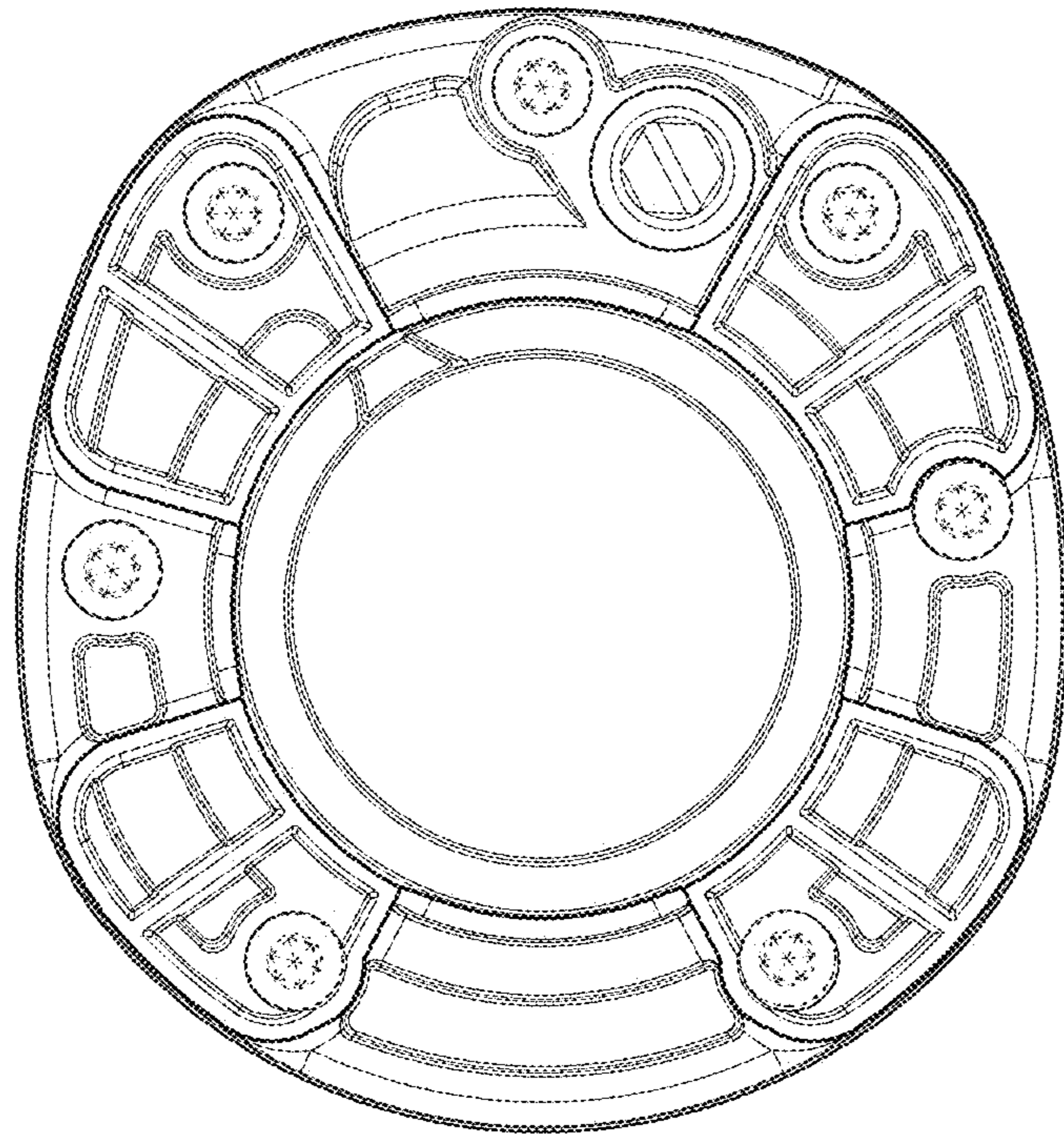
*Fig. 4*



*Fig. 5*

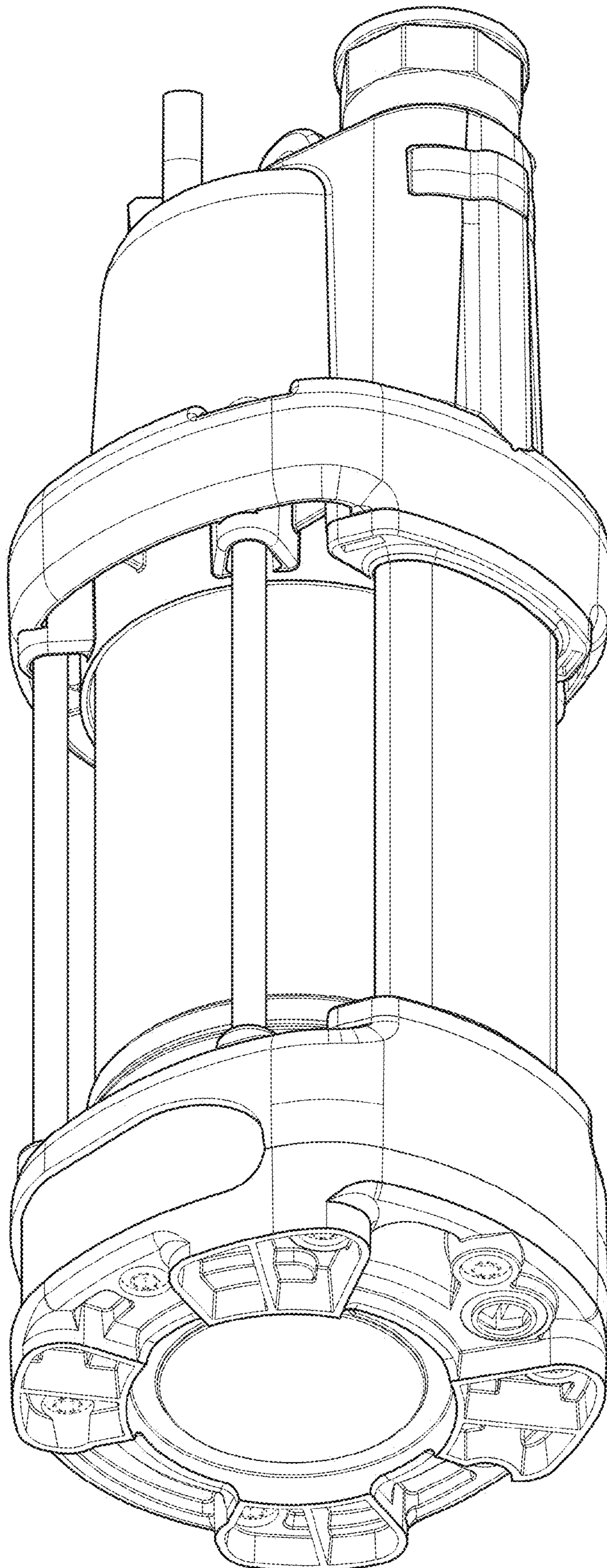


*Fig. 6*



*Fig. 7*





*Fig. 8*