



US00D948576S

(12) **United States Design Patent**
Bailey

(10) **Patent No.:** **US D948,576 S**
(45) **Date of Patent:** **** Apr. 12, 2022**

(54) **TROLLING MOTOR MOUNT**

(71) Applicant: **NAVICO HOLDING AS**, Egersund (NO)

(72) Inventor: **Paul Robert Bailey**, Auckland (NZ)

(73) Assignee: **NAVICO HOLDING AS**, Egersund (NO)

(**) Term: **15 Years**

(21) Appl. No.: **29/718,282**

(22) Filed: **Dec. 23, 2019**

(51) **LOC (13) Cl.** **15-01**

(52) **U.S. Cl.**
USPC **D15/4**

(58) **Field of Classification Search**
USPC D12/214, 223, 300, 302, 303, 304, 306,
D12/307, 310, 311, 312, 313, 314, 315,
D12/316, 317, 318, 400, 415, 426.1;
D15/4; D8/349, 354; D13/167
CPC B63H 20/00; B63H 20/007; B63H 20/02;
B63H 21/21; B63H 21/26; B63H 21/213;
B63H 21/265; B63H 25/02; B63B 7/085;
B63B 7/87; B63B 17/00; B60R 11/00
See application file for complete search history.

(56) **References Cited**

U.S. PATENT DOCUMENTS

3,598,947 A 8/1971 Osborn
3,602,181 A 8/1971 Harris
4,268,258 A * 5/1981 Beem B63H 20/007
248/642

(Continued)

FOREIGN PATENT DOCUMENTS

CA 2448778 A1 5/2004
CA 2700817 A1 10/2010
EP 2559616 A2 2/2013

OTHER PUBLICATIONS

Lowrance Trolling Motor, Published on Jul. 9, 2019 [online], [retrieved on Jan. 11, 2021]. Retrieved from the Internet: https://www.wired2fish.com/news/lowrance-launches-ghost-trolling-motor/#slide_1 (Year: 2019).*

(Continued)

Primary Examiner — Cary M Robinson

Assistant Examiner — Adam C Mager

(74) *Attorney, Agent, or Firm* — Nelson Mullins Riley & Scarborough LLP

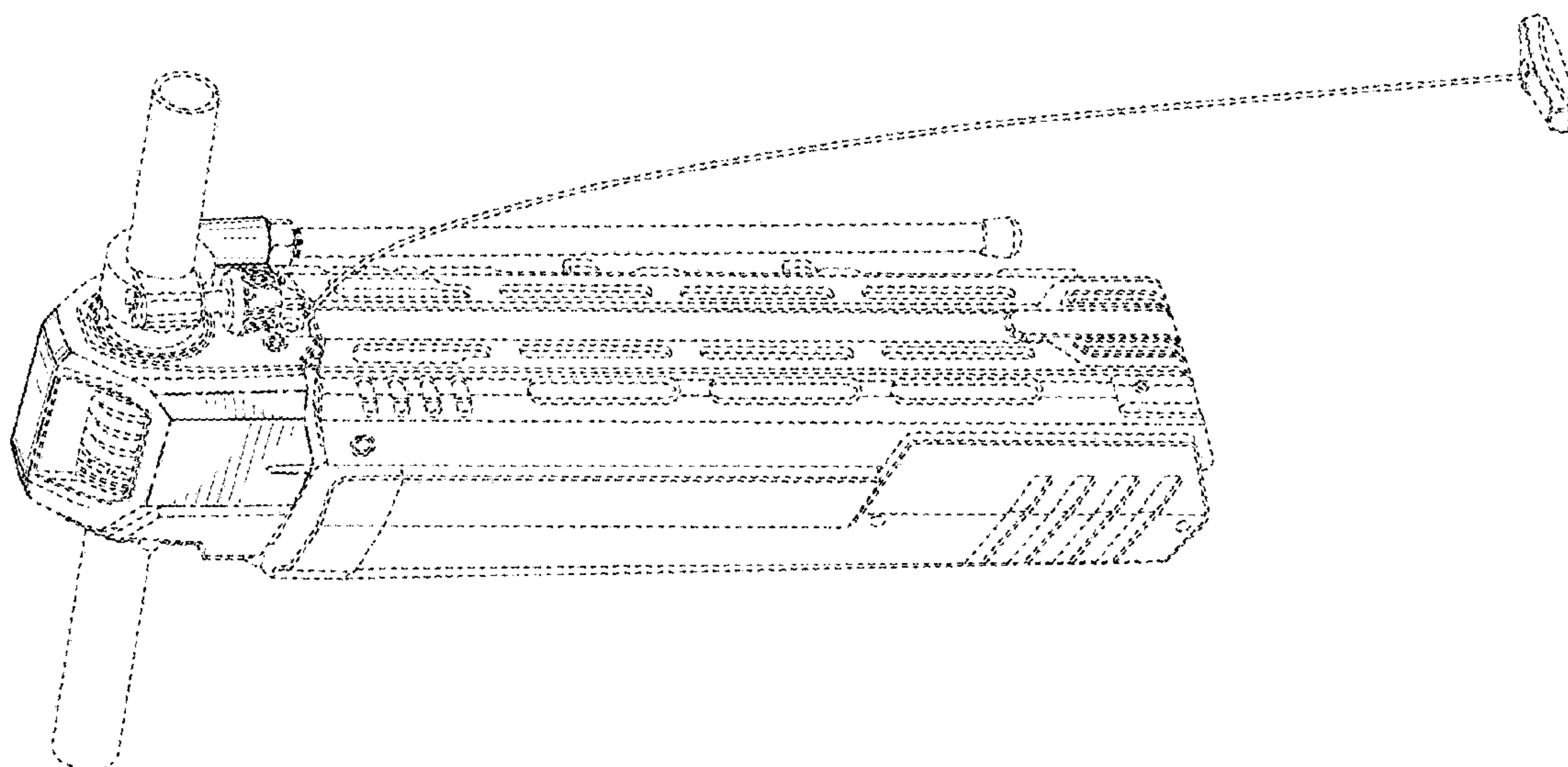
(57) **CLAIM**

The ornamental design for a trolling motor mount, as shown and described.

DESCRIPTION

FIG. 1 is a top perspective view of a trolling motor mount in accordance with the present invention;
FIG. 2 is a left side view of the trolling motor mount of FIG. 1;
FIG. 3 is a right side view of the trolling motor mount of FIG. 1;
FIG. 4 is a bottom view of the trolling motor mount of FIG. 1;
FIG. 5 is a top view of the trolling motor mount of FIG. 1;
FIG. 6 is a front view of the trolling motor mount of FIG. 1;
FIG. 7 is a rear view of the trolling motor mount of FIG. 1;
and,
FIG. 8 is a top perspective view of the trolling motor mount of FIG. 1 shown with a trolling motor head and a foot pedal. The dash-dot-dash broken lines illustrate the boundary of the claimed design and forms no part of the claim. The evenly dashed broken lines illustrate environmental structure and forms no part of the claimed design.

1 Claim, 8 Drawing Sheets



(56)

References Cited

U.S. PATENT DOCUMENTS

4,311,470 A * 1/1982 Blanchard B63H 20/007
440/6

D276,811 S 12/1984 Wolfe
D304,947 S 12/1989 Reynolds
D308,525 S 6/1990 Robbins
D312,259 S 11/1990 Robbins
D343,625 S 1/1994 Walthall
5,277,630 A * 1/1994 Clark B63H 20/007
248/642

D377,027 S 12/1996 Tyler et al.
D408,827 S 4/1999 Cook, III et al.
5,892,338 A 4/1999 Moore et al.
5,954,551 A * 9/1999 King B63B 29/04
440/6

5,993,274 A 11/1999 Rising et al.
D418,521 S 1/2000 Hansen
6,083,061 A 7/2000 Sahounov
6,247,980 B1 * 6/2001 Moore B63H 20/007
440/6

6,325,685 B1 * 12/2001 Knight B63H 20/007
440/7

6,394,408 B1 * 5/2002 Henderson B63H 20/007
248/640

D460,459 S 7/2002 Hansen
6,468,117 B1 10/2002 Healey
D542,745 S 5/2007 Barnes, Jr. et al.
D542,809 S 5/2007 Namiki et al.
D552,130 S 10/2007 Steinberg et al.
7,285,029 B1 10/2007 Janitz
7,294,029 B1 11/2007 Spaulding
D594,034 S 6/2009 Bernloehr et al.
D611,501 S 3/2010 Vignau et al.
D611,502 S 3/2010 Vignau et al.
D655,308 S 3/2012 Steinberg
D806,752 S 1/2018 Vaninetti et al.
10,604,222 B1 3/2020 Salisbury et al.
D886,863 S 6/2020 Bailey
D886,864 S 6/2020 Bailey
D886,865 S * 6/2020 Bailey D15/4
10,843,781 B2 11/2020 Clark et al.

D905,757 S 12/2020 Domke et al.
10,906,622 B1 * 2/2021 Boks B63H 20/007
D914,059 S * 3/2021 Downey D15/4
10,953,972 B2 * 3/2021 Schroeder B63H 20/08
D915,465 S * 4/2021 Downey D15/4
2007/0232159 A1 * 10/2007 Lee B63H 20/106
440/53
2013/0257316 A1 * 10/2013 Perry H02K 7/116
318/15
2015/0298782 A1 * 10/2015 Bernloehr B63H 20/007
440/6
2017/0210455 A1 * 7/2017 Bernloehr B63H 20/06
2018/0057131 A1 * 3/2018 Steward B63H 25/04
2019/0176950 A1 6/2019 Whiteside et al.
2019/0176953 A1 6/2019 Clark et al.
2019/0186592 A1 6/2019 Broughton et al.
2020/0172219 A1 6/2020 Schroeder

OTHER PUBLICATIONS

“Lowrance Launches Ghost Trolling Motor;” Published on Jul. 9, 2019 [online], [retrieved on Jan. 11, 2021]. Retrieved from the Internet: https://www.wired2fish.com/news/lowrance-launches-ghost-trolling-motor/#slide_1 (Year: 2019).

“Lowrance Ghost Trolling Motor;” Published on Oct. 28, 2019 [online], [retrieved on Jan. 11, 2021]. Retrieved from the Internet: <https://www.amazon.com/Lowrance-Freshwater-Ultra-Quiet-Anchoring-Autopilot/dp/B07ZPDKPT6> (Year: 2019).

Design U.S. Appl. No. 29/624,310 entitled “Trolling Motor Head”, filed Oct. 31, 2017 in the name of Paul Bailey.

Design U.S. Appl. No. 29/624,312 entitled “Trolling Motor Mount”, filed Oct. 31, 2017 in the name of Paul Bailey.

Design U.S. Appl. No. 29/624,307 entitled “Trolling Motor Foot Pedal”, filed Oct. 31, 2017 in the name of Paul Bailey.

Design U.S. Appl. No. 29/720,498 entitled “Trolling Motor Mount”, filed Jan. 14, 2020 in the name of Paul Bailey.

Design U.S. Appl. No. 29/718,284 entitled “Trolling Motor Head”, filed Dec. 23, 2019 in the name of Paul Robert Bailey.

Design U.S. Appl. No. 29/718,283 entitled “Trolling Motor Foot Pedal”, Dec. 23, 2019 in the name of Paul Robert Bailey.

* cited by examiner

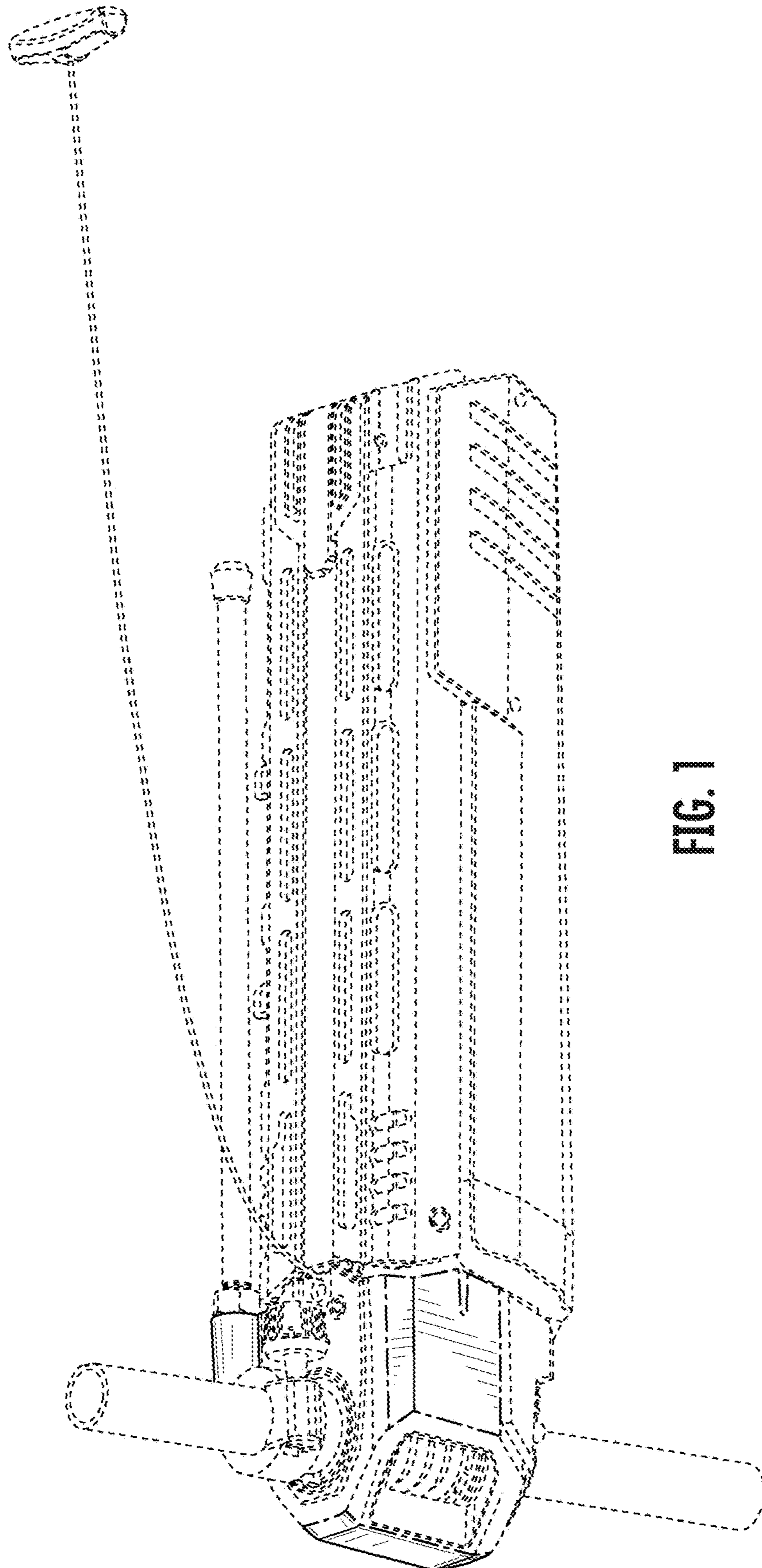


FIG. 1

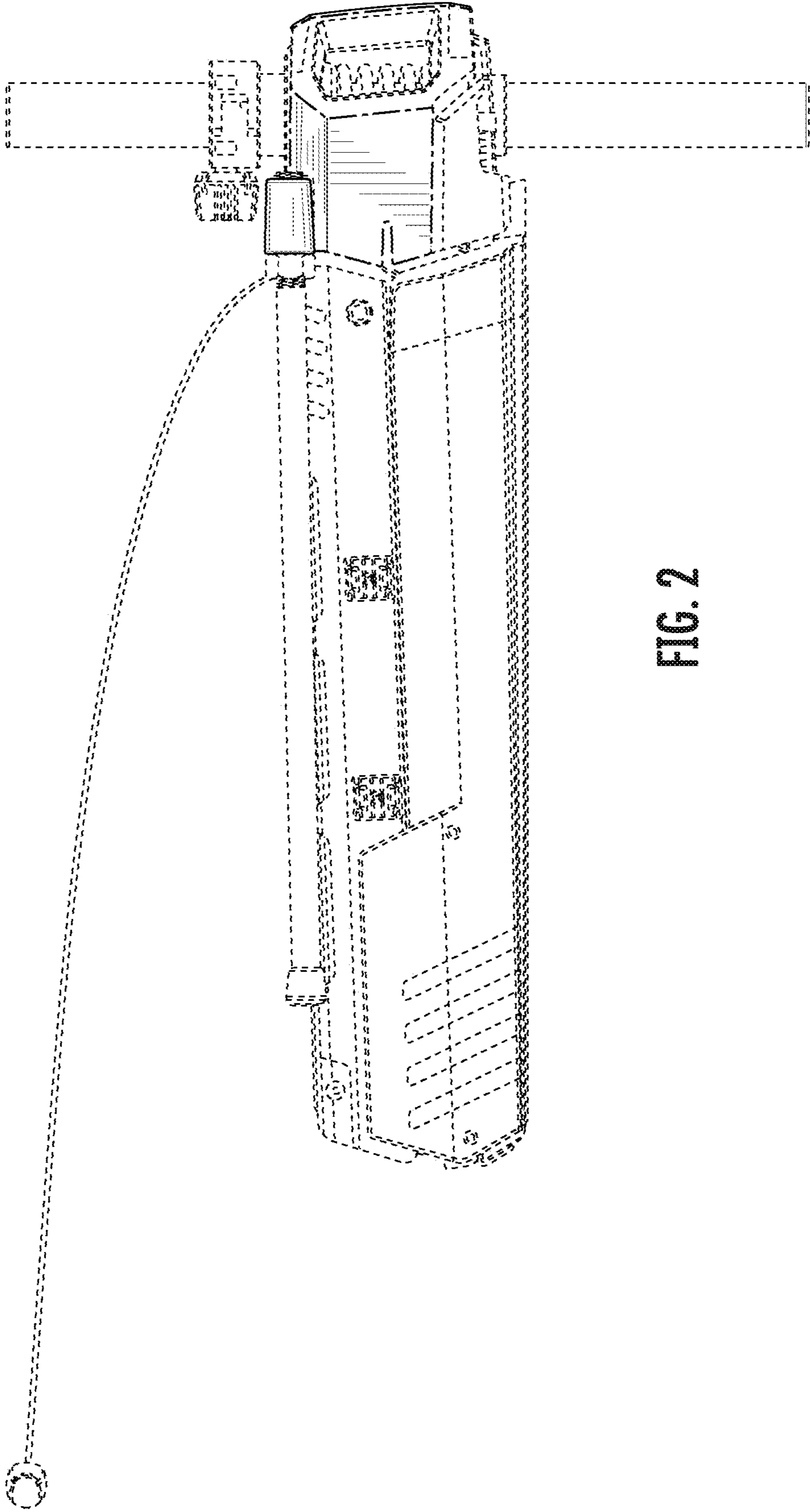


FIG. 2

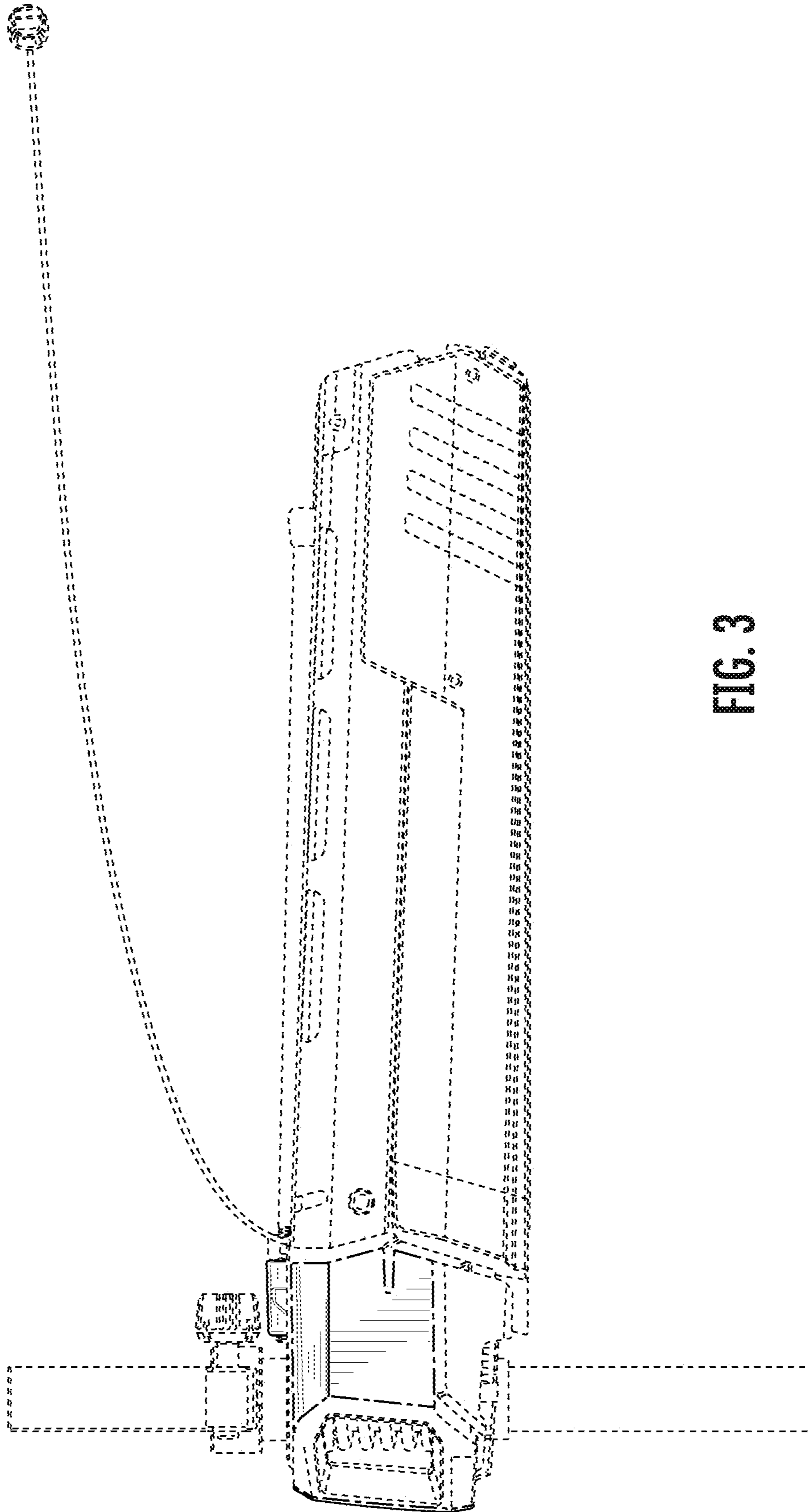


FIG. 3

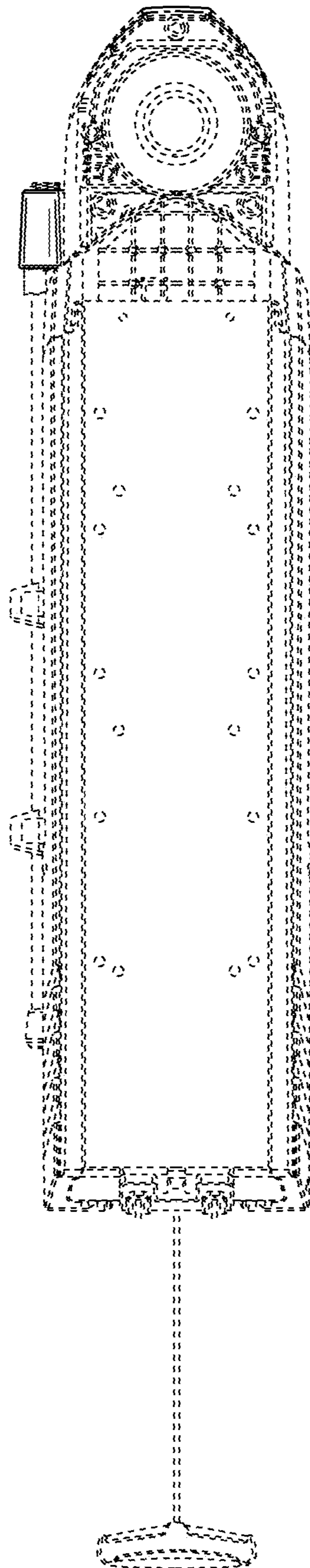


FIG. 4

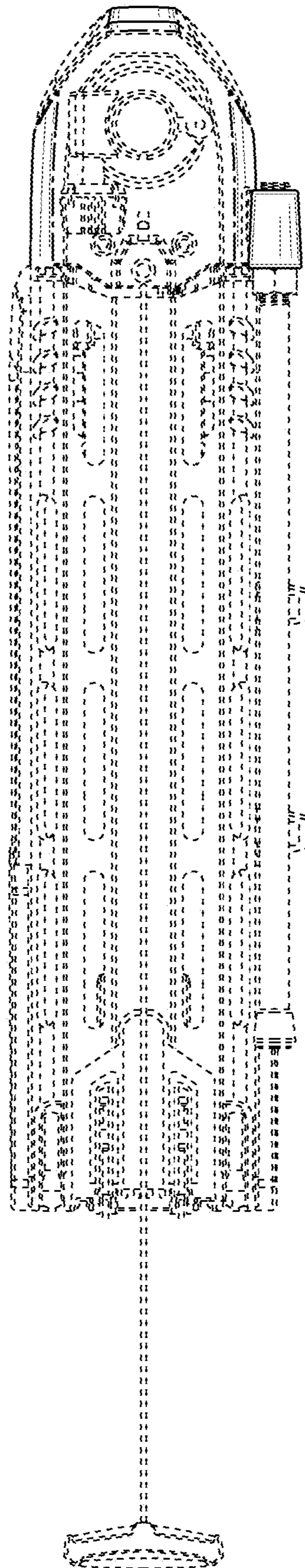


FIG. 5

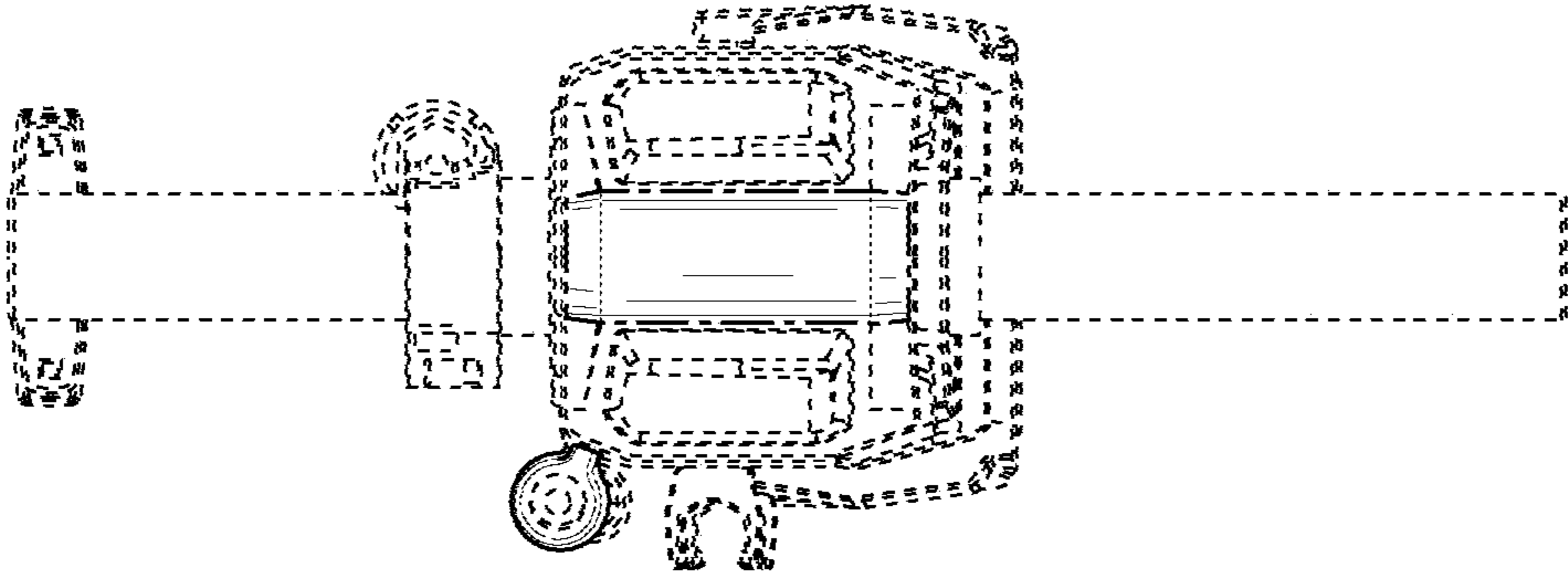


FIG. 6

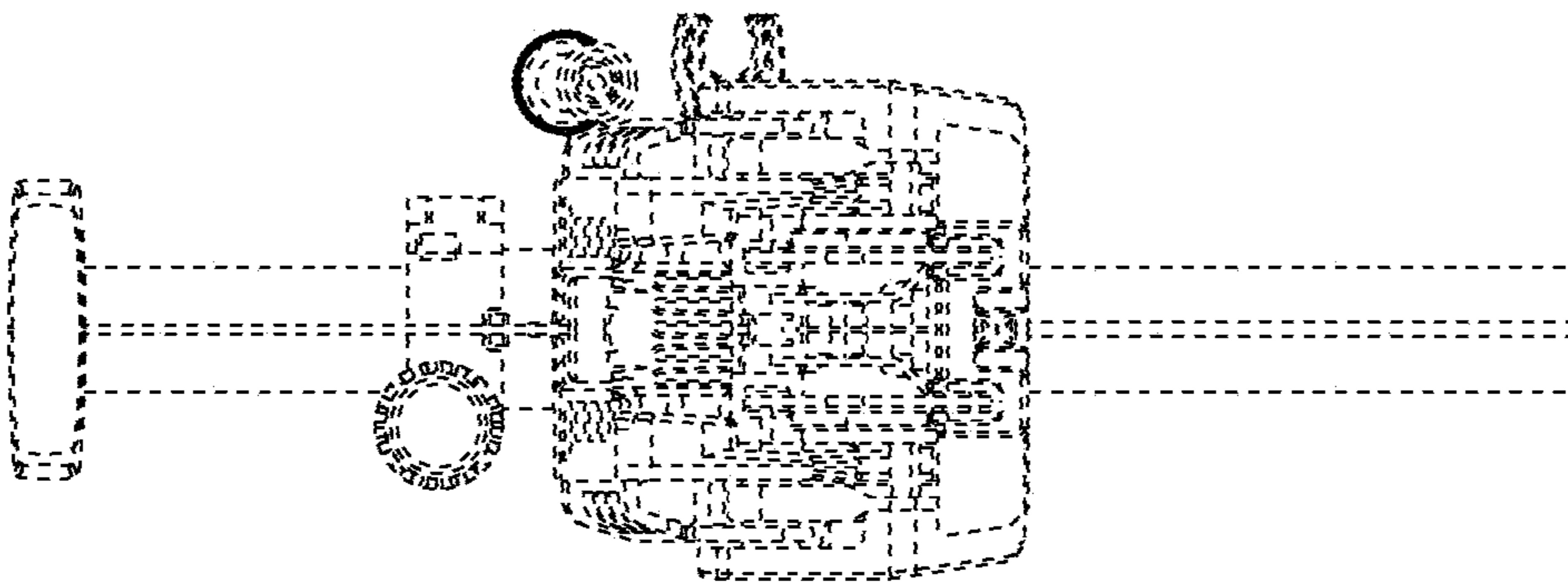


FIG. 7

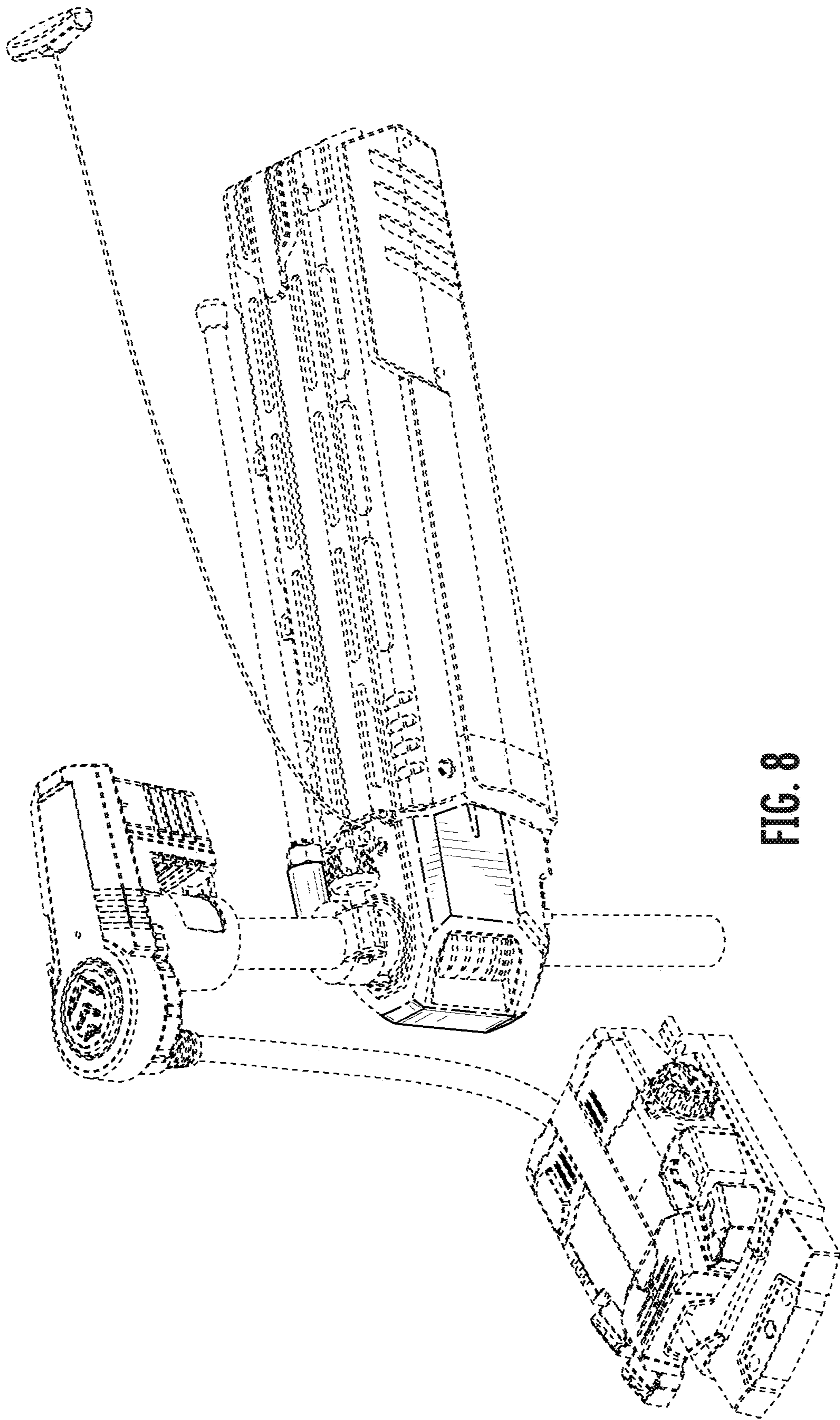


FIG. 8