



US00D948550S

(12) **United States Design Patent**
Zheng et al.

(10) **Patent No.:** **US D948,550 S**

(45) **Date of Patent:** **** Apr. 12, 2022**

(54) **DISPLAY SCREEN WITH GRAPHICAL USER INTERFACE**

D716,827 S * 11/2014 Dowd D14/486
D732,579 S * 6/2015 Kim D14/492
9,092,556 B2 7/2015 Amble et al.
D738,929 S * 9/2015 Mahaffey D14/495

(71) Applicant: **GE Precision Healthcare LLC**,
Milwaukee, WI (US)

(Continued)

(72) Inventors: **Tiegong Zheng**, Beijing (CN); **Chelsey Lewis**, Waukesha, WI (US)

OTHER PUBLICATIONS

(73) Assignee: **GE Precision Healthcare LLC**,
Milwaukee, WI (US)

Zheng, T. et al., "An Ornamental Design for a Display Screen With Graphical User Interface," U.S. Appl. No. 29/698,037, filed Jul. 12, 2019, 25 pages.

(Continued)

(**) Term: **15 Years**

Primary Examiner — Katherine A Holbrow

(21) Appl. No.: **29/771,524**

(74) *Attorney, Agent, or Firm* — McCoy Russell LLP

(22) Filed: **Feb. 23, 2021**

(57) **CLAIM**

Related U.S. Application Data

The ornamental design for a display screen with graphical user interface, as shown and described.

(62) Division of application No. 29/698,042, filed on Jul. 12, 2019, now Pat. No. Des. 926,208.

DESCRIPTION

(51) **LOC (13) Cl.** **14-04**

(52) **U.S. Cl.**
USPC **D14/486**; D14/495

(58) **Field of Classification Search**
USPC D14/485–495
CPC .. A61B 5/02; A61B 8/46; G06F 19/34; G06F 19/3418; G06F 19/3406; G06T 2207/30004

See application file for complete search history.

FIG. 1 is a front view of a display screen with graphical user interface according to the claimed design.

FIG. 2 is a rear view of the display screen with graphical user interface.

FIG. 3 is a left side view of the display screen with graphical user interface.

FIG. 4 is a right side view of the display screen with graphical user interface.

FIG. 5 is a top view of the display screen with graphical user interface; and,

FIG. 6 is a bottom view of the display screen with graphical user interface.

The dash-dot-dot broken lines in the drawings show a device with display screen, and form no part of the claimed design.

The dash-dash broken lines in the drawings showing the graphical user interface illustrate portions of the display screen with graphical user interface that form no part of the claimed design.

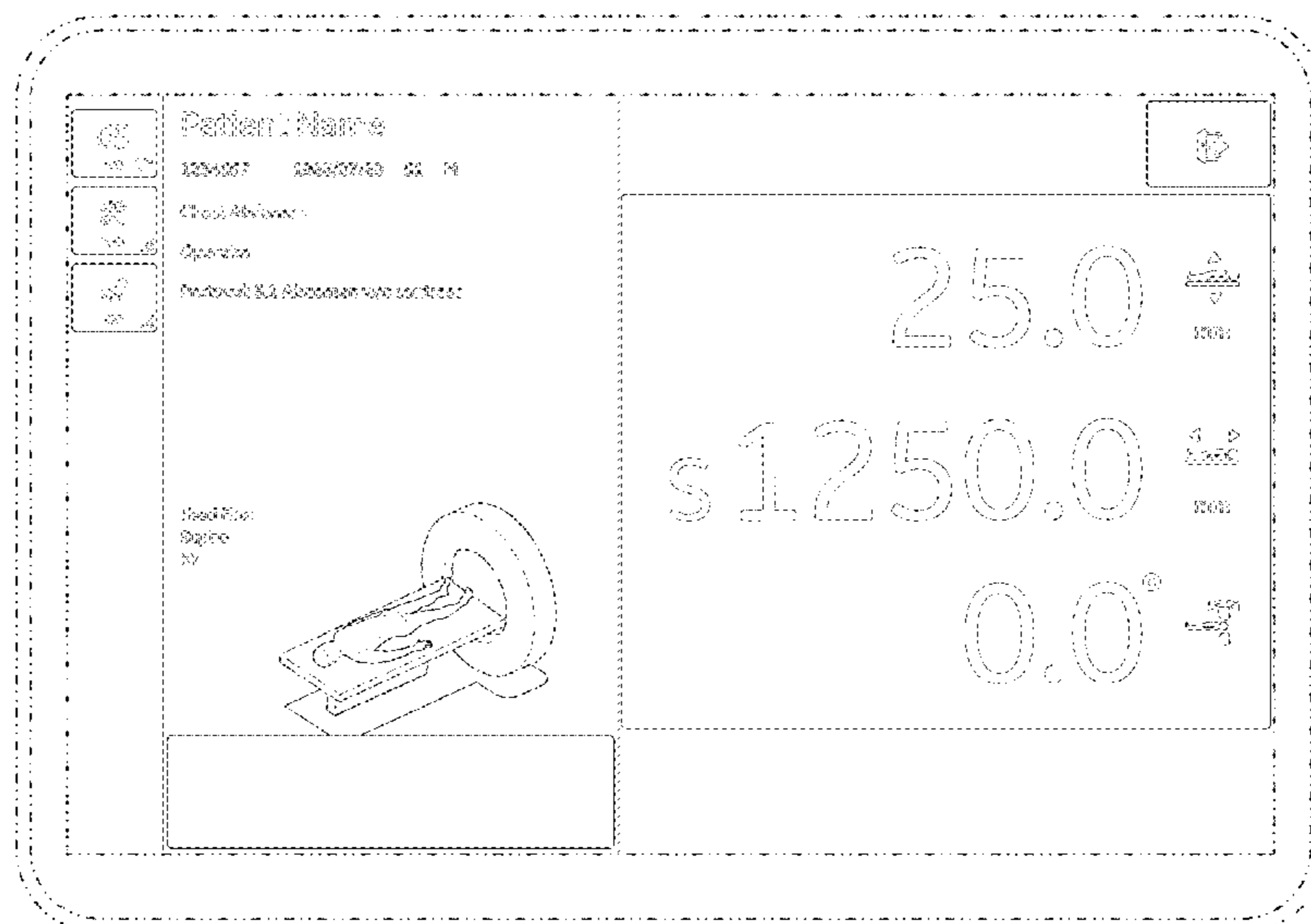
The dash-dash broken lines in the drawings showing the graphical user interface illustrate portions of the display screen with graphical user interface that form no part of the claimed design.

1 Claim, 6 Drawing Sheets

(56) **References Cited**

U.S. PATENT DOCUMENTS

| | | | |
|--------------|---------|--------------------|---------|
| D468,748 S | 1/2003 | Inagaki | |
| 7,020,844 B2 | 3/2006 | Tevino et al. | |
| 7,365,538 B2 | 4/2008 | Lehtonen-Krause | |
| D614,191 S | 4/2010 | Takano et al. | |
| D696,679 S * | 12/2013 | Bae | D14/486 |
| D696,681 S | 12/2013 | Kim et al. | |
| D706,298 S * | 6/2014 | Hollobaugh | D14/492 |
| D714,339 S | 9/2014 | Hendrickson et al. | |



(56)

References Cited

U.S. PATENT DOCUMENTS

D742,907 S * 11/2015 Lee D14/486
 D742,908 S * 11/2015 Lee D14/486
 D745,027 S * 12/2015 Scott D14/486
 D757,813 S * 5/2016 Giguere D14/493
 D760,725 S * 7/2016 Brush D14/485
 D765,120 S 8/2016 Kim et al.
 D806,126 S 12/2017 Mander et al.
 D820,292 S 6/2018 Mander et al.
 D822,684 S * 7/2018 Clausen-Stuck D14/485
 10,025,479 B2 7/2018 Zhao et al.
 D829,040 S 9/2018 Lee
 D842,324 S 3/2019 Colin et al.
 10,252,145 B2 4/2019 Tran et al.
 D866,581 S * 11/2019 Young D14/486
 D870,751 S * 12/2019 Peeters D14/485
 D881,920 S * 4/2020 Argo D14/486
 D882,616 S 4/2020 Argo et al.
 D882,620 S * 4/2020 Sabadosh D14/486
 D888,096 S 7/2020 Mbeo et al.
 D893,547 S 8/2020 Dumas et al.
 D896,266 S 9/2020 Kennedy et al.
 D898,767 S * 10/2020 Shah D14/489
 D905,078 S 12/2020 Butka et al.
 D916,820 S * 4/2021 Zheng D14/486
 D923,643 S * 6/2021 Anderson D14/485
 D924,922 S * 7/2021 Zheng D14/488

D926,207 S * 7/2021 Zheng D14/486
 D926,208 S * 7/2021 Zheng D14/486
 11,157,591 B2 * 10/2021 Adams G06F 16/51
 2003/0052787 A1 * 3/2003 Zerhusen A61G 7/0513
 340/573.1
 2004/0138557 A1 * 7/2004 Le A61B 5/113
 600/428
 2008/0236872 A1 10/2008 Kataoka et al.
 2013/0227427 A1 8/2013 Möckli et al.
 2014/0098933 A1 * 4/2014 Profio A61B 6/465
 378/19
 2014/0343628 A1 * 11/2014 Kaula G06F 3/0484
 607/59
 2015/0089365 A1 3/2015 Zhao et al.
 2020/0138395 A1 * 5/2020 Tsuchiya A61B 6/589
 2020/0375561 A1 12/2020 Huang et al.
 2021/0153827 A1 * 5/2021 Lewis A61B 6/501

OTHER PUBLICATIONS

Zheng, T. et al., "An Ornamental Design for a Display Screen With Graphical User Interface," U.S. Appl. No. 29/698,040, filed Jul. 12, 2019, 15 pages.
 Zheng, T. et al., "An Ornamental Design for a Display Screen With Graphical User Interface," U.S. Appl. No. 29/698,042, filed Jul. 12, 2019, 23 pages.

* cited by examiner

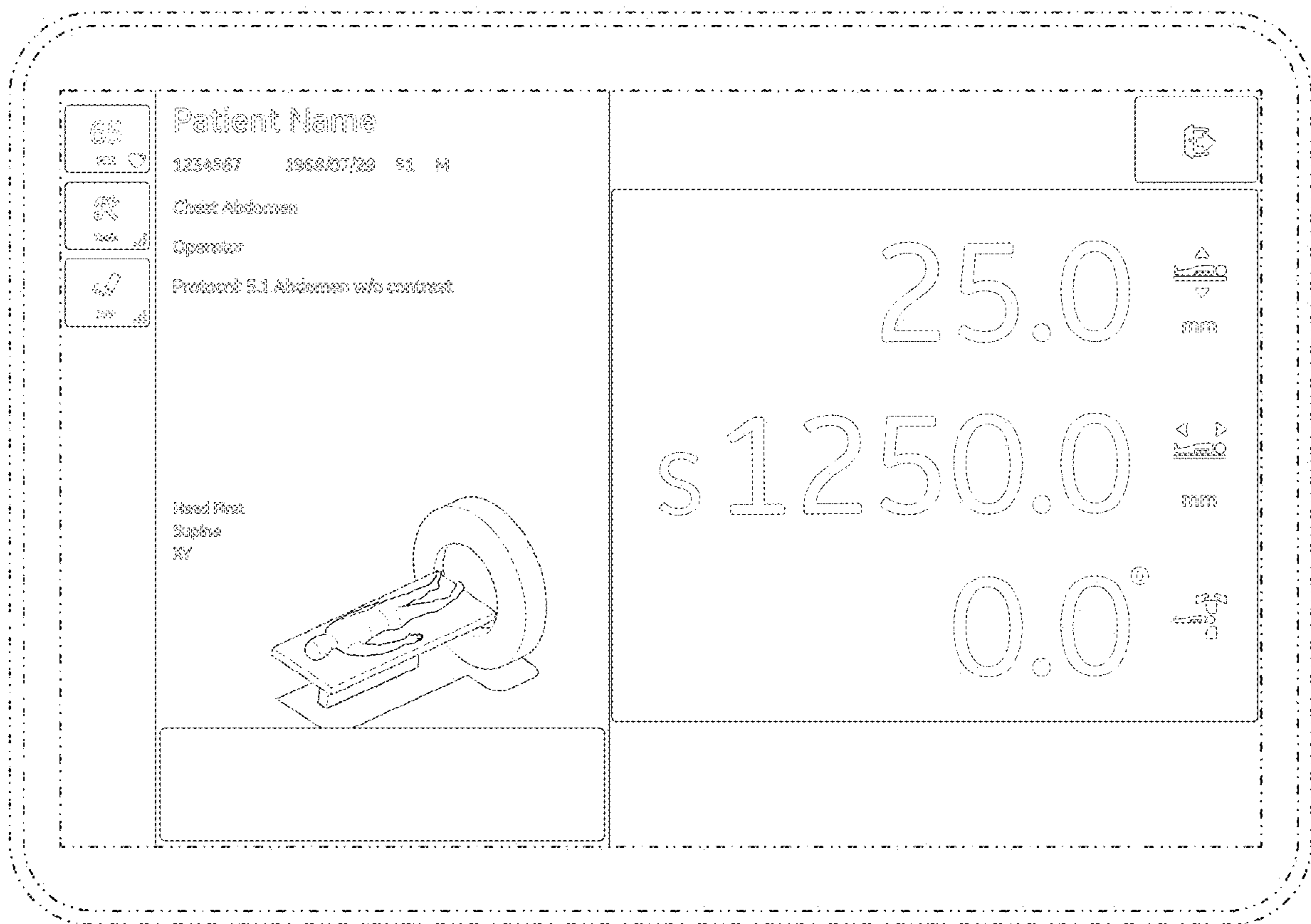


FIG. 1



FIG. 2



FIG. 3

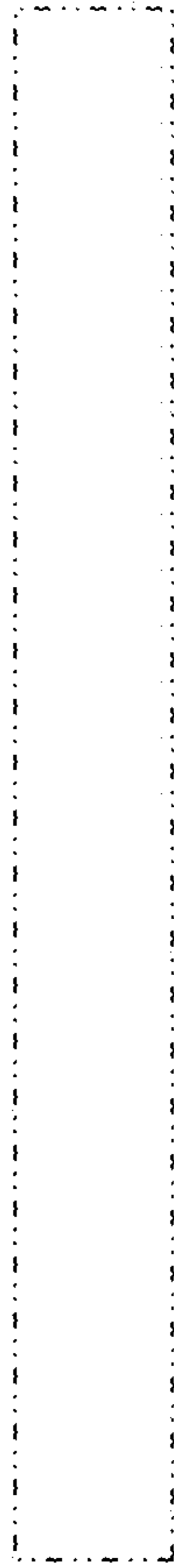


FIG. 4



FIG. 5



FIG. 6